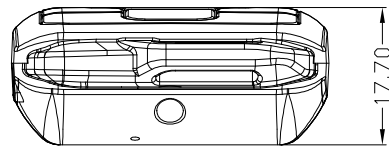
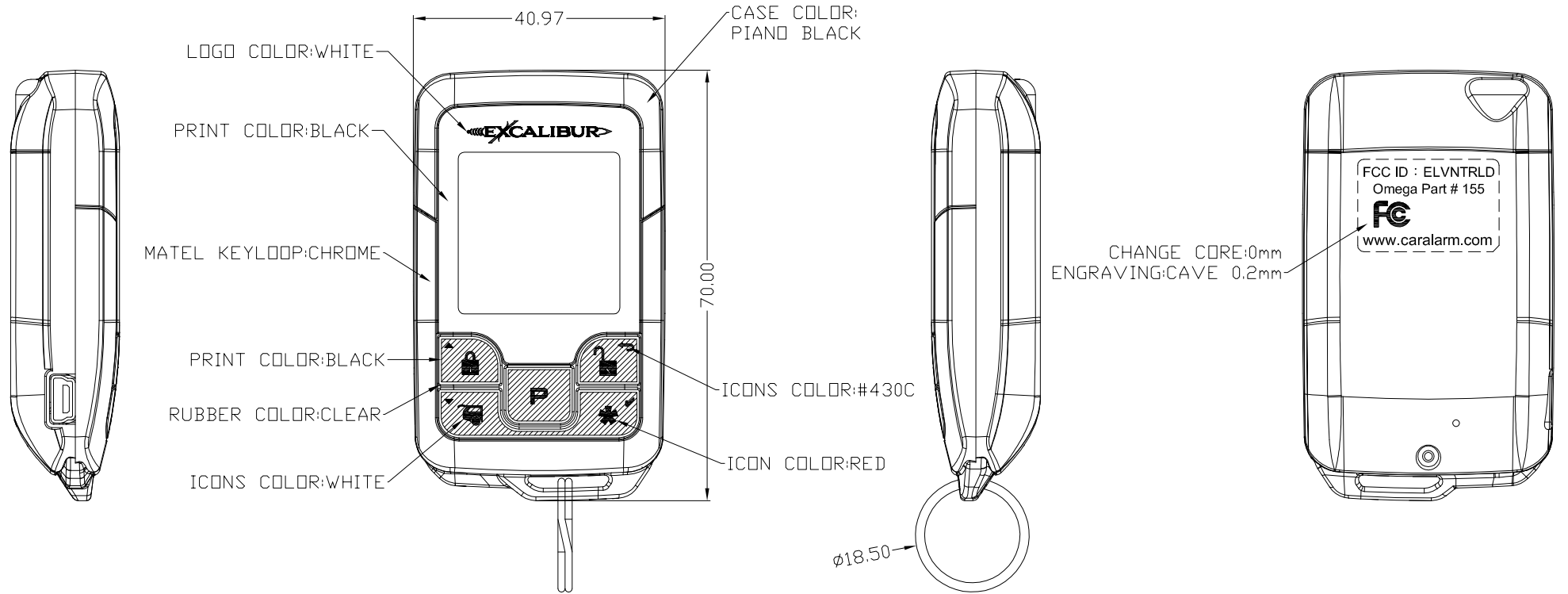
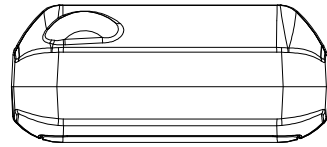


REVISIONS

| REV. | ACC. | DESCRIPTION | DRN. | DATE |
|------|------|-------------|------|------|
| △ | | | | |
| △ | | | | |



| PART | P/N | PART | P/N |
|---------------|----------|-----------|----------|
| CASE | IAEL1B02 | KEY CHAIN | MA16B000 |
| LENS | IREL00B0 | SCREW | MIF17006 |
| RUBBER | NKELOCA0 | | |
| METAL KEYLOOP | MDELOS00 | | |

*Tolerance please refer specification of tolerance limits 'B'
INJECT TOLERANCE SPEC.

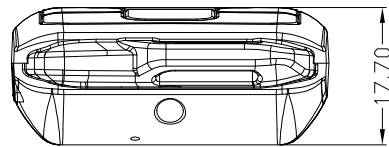
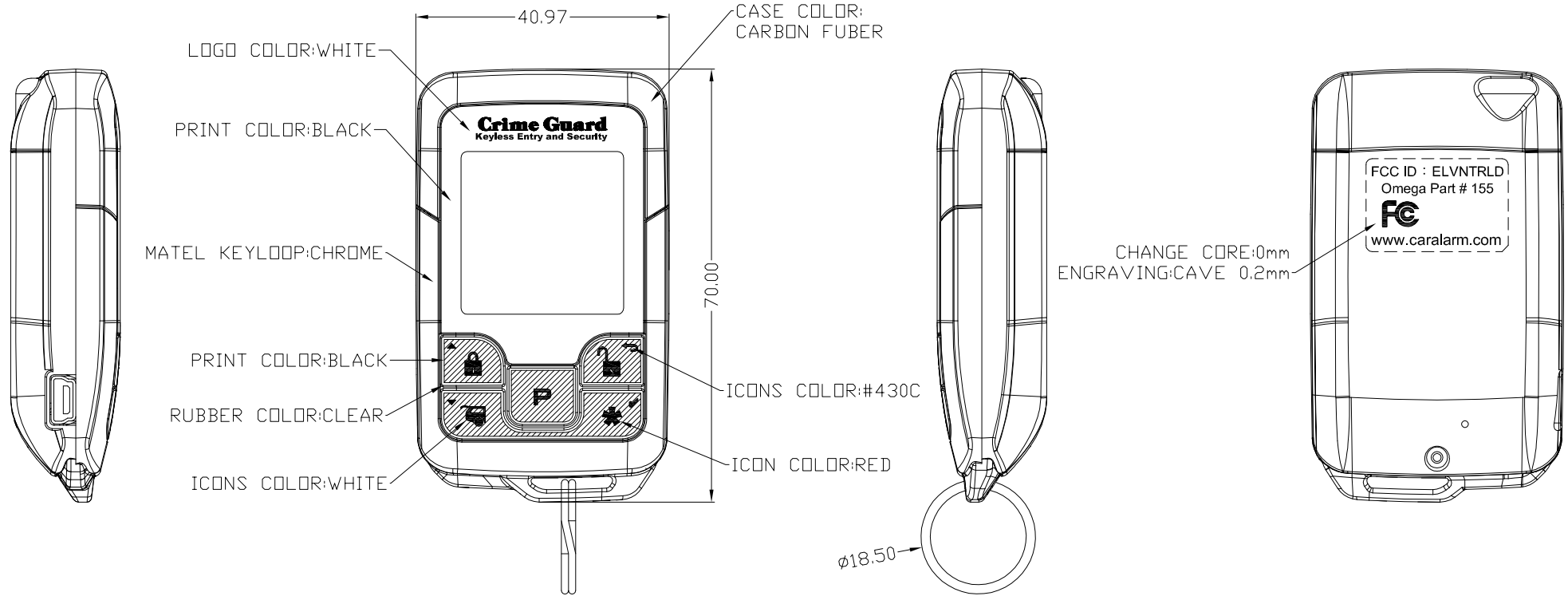
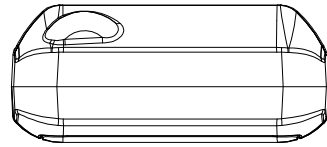
| GRADE | A | B | C |
|---------|--------|--------|--------|
| UNDER 6 | ± 0.08 | ± 0.16 | ± 0.30 |
| 6~30 | ± 0.10 | ± 0.20 | ± 0.40 |
| 30~120 | ± 0.20 | ± 0.40 | ± 0.80 |
| 120~300 | ± 0.40 | ± 0.80 | ± 2.00 |

BODY MATERIAL : ABS+PC
 1. Texture is same as MT-11010
 2. Radius will be 0.2 if not specified.

| | | | | | | | |
|------------|----------------|--------------|----------------|-------------------|------|-----------------------|-------|
| SCALE: 1:1 | UNIT: M/M | DRN BY Eason | DATE 2012/5/11 | NUTEK CORPORATION | | | |
| MATERIAL | CHK BY YYS | 5/11 | | | | | |
| FINISH | APPD BY Victor | 5/11 | | SIZE A4 | DEPT | DRAWING NO 10110090-1 | REV 0 |
| CODE | SHEET | OF | | | | | |

REVISIONS

| REV. | ACC. | DESCRIPTION | DRN. | DATE |
|------|------|-------------|------|------|
| △ | | | | |
| △ | | | | |



| PART | P/N | PART | P/N |
|---------------|----------|-----------|----------|
| CASE | IAEL1F02 | KEY CHAIN | MA16B000 |
| LENS | IRELOOD0 | SCREW | MIF17006 |
| RUBBER | NKELOCA0 | | |
| METAL KEYLOOP | MDELOS00 | | |

*Tolerance please refer specification of tolerance limits 'B'

| DIMENSION | INJECT TOLERANCE SPEC. | | | |
|-----------|------------------------|------|------|------|
| | GRADE | A | B | C |
| UNDER 6 | ± | 0.08 | 0.16 | 0.30 |
| 6~30 | ± | 0.10 | 0.20 | 0.40 |
| 30~120 | ± | 0.20 | 0.40 | 0.80 |
| 120~300 | ± | 0.40 | 0.80 | 2.00 |

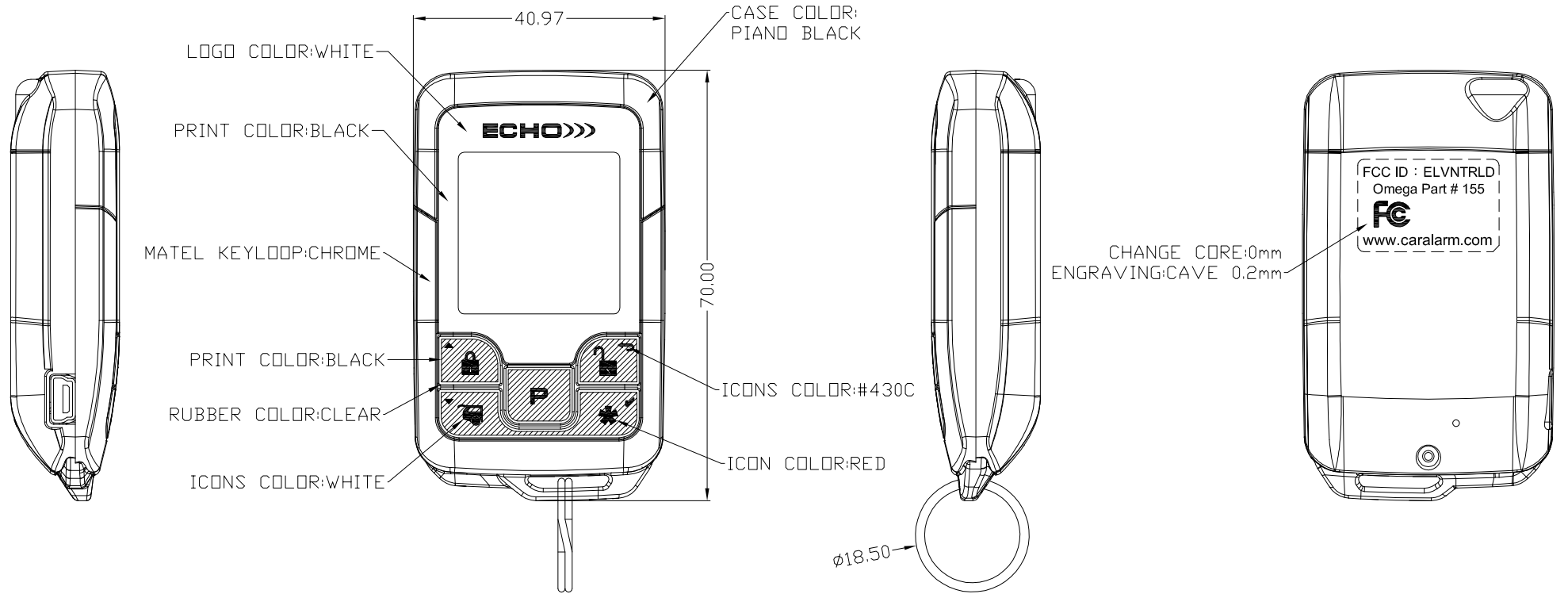
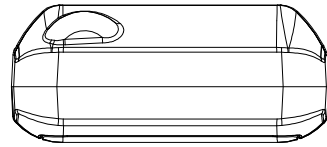
BODY MATERIAL : ABS+PC

1. Texture is same as MT-11010
2. Radius will be 0.2 if not specified.

| | | | | | | | |
|------------|----------------|--------------|----------------|------------------------------|------|-----------------------|-------|
| SCALE: 1:1 | UNIT: M/M | DRN BY Eason | DATE 2012/8/27 | NUTEK CORPORATION | | | |
| MATERIAL | CHK BY YYS | 8/27 | | TITLE EXC #155-05CF (433MHz) | | | |
| FINISH | APPD BY Victor | 8/27 | | SIZE A4 | DEPT | DRAWING NO 10110090-4 | REV 0 |
| CODE | SHEET | OF | | | | | |

REVISIONS

| REV. | ACC. | DESCRIPTION | DRN. | DATE |
|------|------|-------------|------|------|
| △ | | | | |
| △ | | | | |



| PART | P/N | PART | P/N |
|---------------|----------|-----------|----------|
| CASE | IAEL1B02 | KEY CHAIN | MA16B000 |
| LENS | IREL00C0 | SCREW | MIF17006 |
| RUBBER | NKEL0CA0 | | |
| METAL KEYLOOP | MDELOS00 | | |

*Tolerance please refer specification of tolerance limits 'B'
INJECT TOLERANCE SPEC.

| GRADE | A | B | C |
|---------|--------|--------|--------|
| UNDER 6 | ± 0.08 | ± 0.16 | ± 0.30 |
| 6~30 | ± 0.10 | ± 0.20 | ± 0.40 |
| 30~120 | ± 0.20 | ± 0.40 | ± 0.80 |
| 120~300 | ± 0.40 | ± 0.80 | ± 2.00 |

BODY MATERIAL : ABS+PC
 1. Texture is same as MT-11010
 2. Radius will be 0.2 if not specified.

| | | | | | | | |
|------------|----------------|--------------|------------------------------|-------------------|-----------------------|-------|--|
| SCALE: 1:1 | UNIT: M/M | DRN BY Eason | DATE 2012/5/30 | NUTEK CORPORATION | | | |
| MATERIAL | CHK BY YYS | 5/30 | TITLE EXC #155-07PB (433MHz) | | | | |
| FINISH | APPD BY Victor | 5/30 | SIZE A4 | DEPT | DRAWING NO 10110090-2 | REV 0 | |
| CODE | SHEET | OF | | | | | |