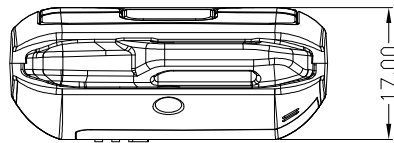
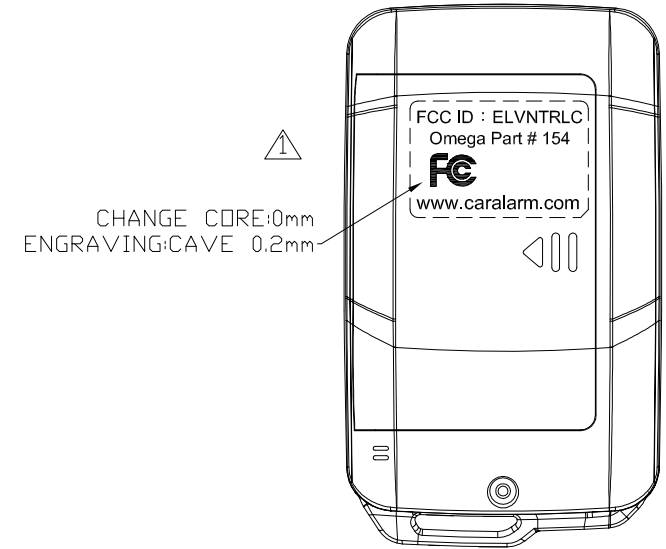
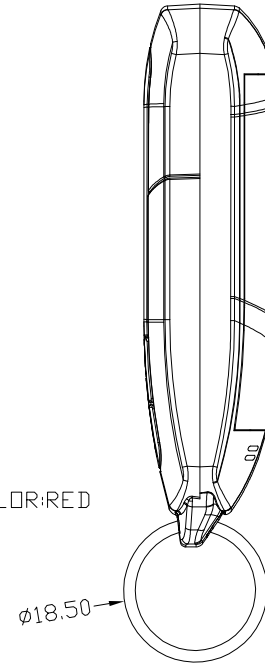
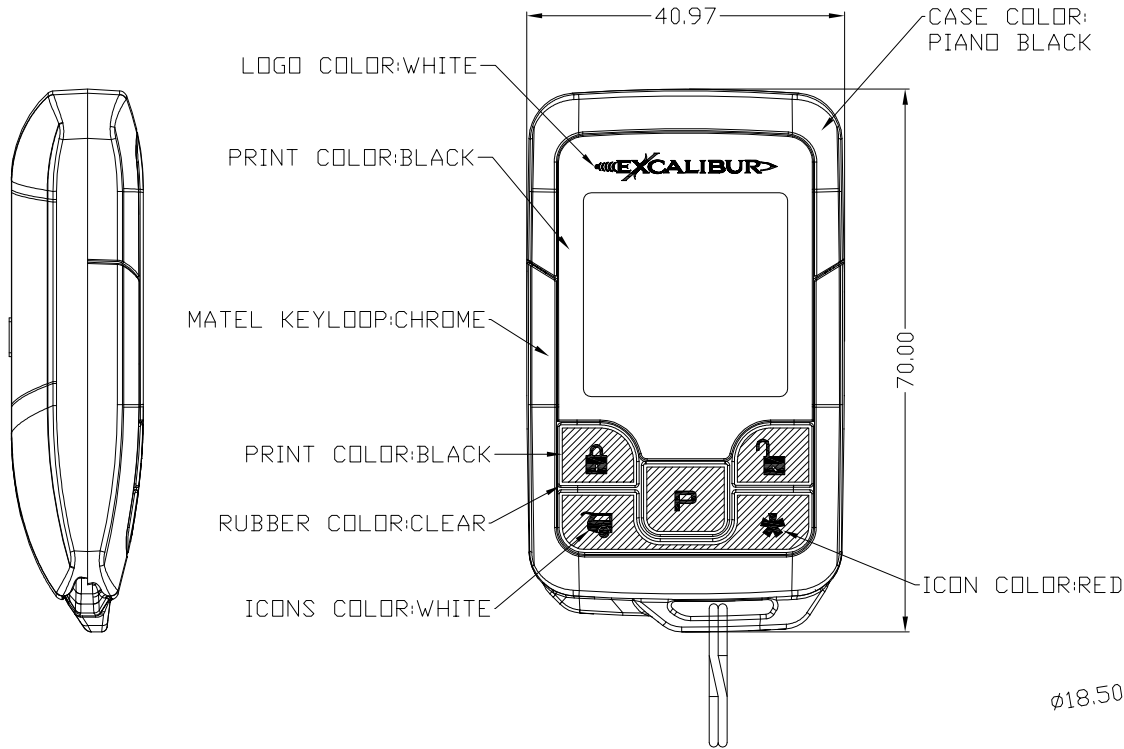
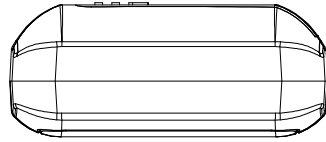


REVISIONS				
REV.	ACC.	DESCRIPTION	DRN.	DATE
△	5/11 MAIL	ADD ENGRAVING	YYS	5/11/'12
△				



PART	P/N	PART	P/N
CASE	IAELOB00	KEY CHAIN	MA16B000
BATTERY COVER	IGELOB01	SCREW	MIF17006
LENS	IRELO0B0	BAT. CLIP(+)	MCDH9GA0
RUBBER	NKELOCB0	BAT. CLIP(-)	MCBF00A0
METAL KEYLOOP	MDELOS00	BATTERY	CR2032*2

\*Tolerance please refer specification of tolerance limits 'B'

GRADE	INJECT TOLERANCE SPEC.		
	A	B	C
UNDER 6	± 0.08	± 0.16	± 0.30
6~30	± 0.10	± 0.20	± 0.40
30~120	± 0.20	± 0.40	± 0.80
120~300	± 0.40	± 0.80	± 2.00

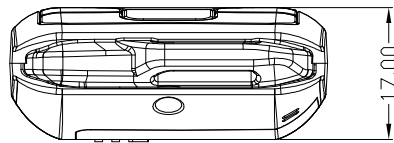
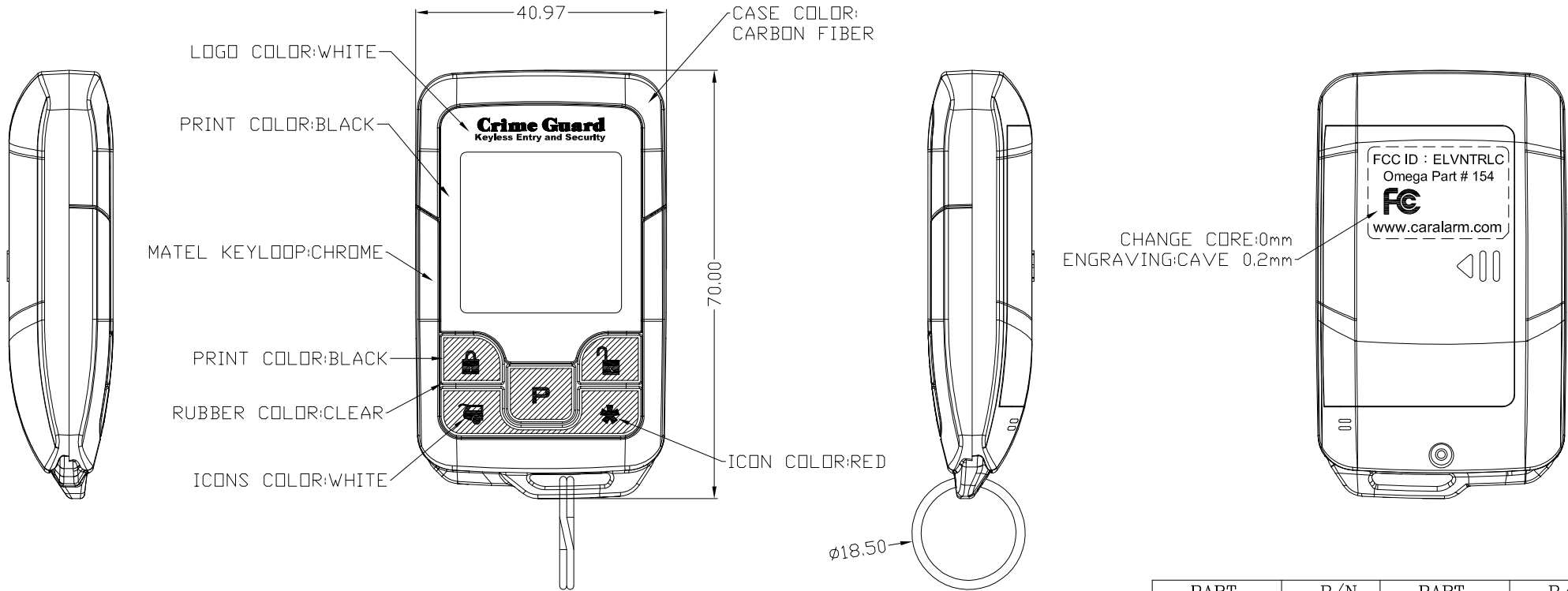
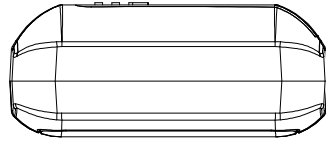
BODY MATERIAL : ABS+PC

- Texture is same as MT-11010
- Radiused will be 0.2 if not specified.

SCALE: 1:1	UNIT: M/M	DRN BY Eason	DATE 2012/4/18	NUTEK CORPORATION			
MATERIAL	CHK BY YYS	5/11	TITLE EXC #154-03PB (433MHz)				
FINISH	APPD BY Victor	5/11	SIZE A4	DEPT	DRAWING NO 10110040	REV 1	
CODE	SHEET	OF					

REVISIONS

REV.	ACC.	DESCRIPTION	DRN.	DATE
△				
△				



PART	P/N	PART	P/N
CASE	IAELOF00	KEY CHAIN	MA16B000
BATTERY CIVER	IGELOF01	SCREW	MIF17006
LENS	IRELOOD0	BAT. CLIP(+)	MCDH9GA0
RUBBER	NKELOCB0	BAT. CLIP(-)	MCBF00A0
METAL KEYLOOP	MDELOS00	BATTERY	CR2032*2

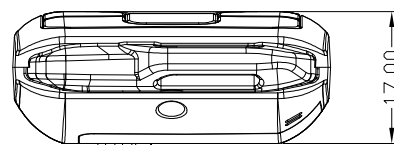
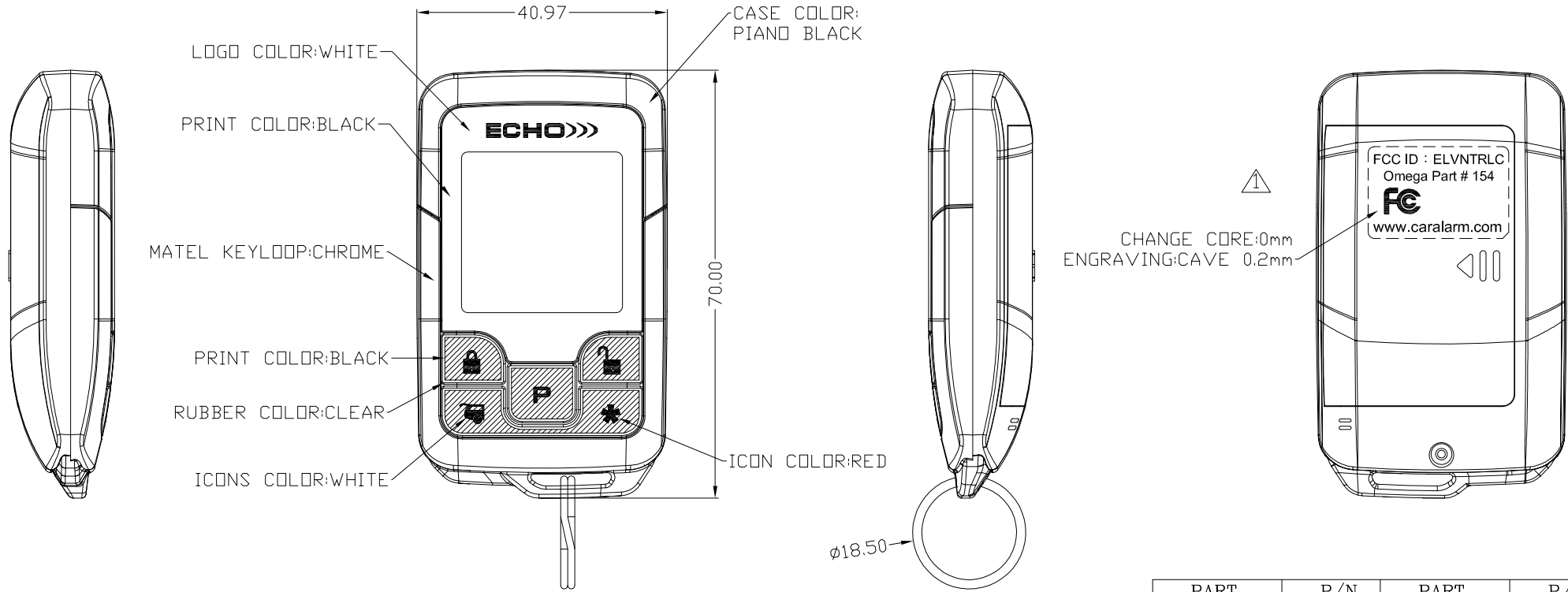
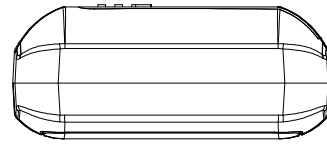
\*Tolerance please refer specification of tolerance limits 'B'

GRADE	INJECT TOLERANCE SPEC.		
	A	B	C
UNDER 6	± 0.08	± 0.16	± 0.30
6~30	± 0.10	± 0.20	± 0.40
30~120	± 0.20	± 0.40	± 0.80
120~300	± 0.40	± 0.80	± 2.00

BODY MATERIAL : ABS+PC  
 1. Texture is same as MT-11010  
 2. Radius will be 0.2 if not specified.

SCALE: 1:1	UNIT: M/M	DRN BY Eason	DATE 2012/5/30	NUTEK CORPORATION			
MATERIAL	CHK BY YYS	5/30					
FINISH	APPD BY Victor	5/30		SIZE A4	DEPT	DRAWING NO 10110040-2	REV 0
CODE	SHEET	OF					

REVISIONS				
REV.	ACC.	DESCRIPTION	DRN.	DATE
△	5/11 MAIL	ADD ENGRAVING	YYS	5/11/'12
△				



PART	P/N	PART	P/N
CASE	IAELOB00	KEY CHAIN	MA16B000
BATTERY CIVER	IGELOB01	SCREW	MIF17006
LENS	IRELOOC0	BAT. CLIP(+)	MCDH9GA0
RUBBER	NKELOCB0	BAT. CLIP(-)	MCBF00A0
METAL KEYLOOP	MDELOS00	BATTERY	CR2032*2

\*Tolerance please refer specification of tolerance limits 'B'

GRADE	INJECT TOLERANCE SPEC.		
	A	B	C
UNDER 6	± 0.08	± 0.16	± 0.30
6~30	± 0.10	± 0.20	± 0.40
30~120	± 0.20	± 0.40	± 0.80
120~300	± 0.40	± 0.80	± 2.00

BODY MATERIAL : ABS+PC  
 1. Texture is same as MT-11010  
 2. Radius will be 0.2 if not specified.

SCALE: 1:1	UNIT: M/M	DRN BY Eason	DATE 2012/5/4	NUTEK CORPORATION			
MATERIAL	CHK BY YYS	5/11	TITLE EXC #154-07PB (433MHz)				
FINISH	APPD BY Victor	5/11	SIZE A4	DEPT	DRAWING NO 10110040-1	REV 1	
CODE	SHEET	OF					