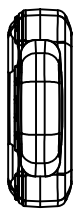
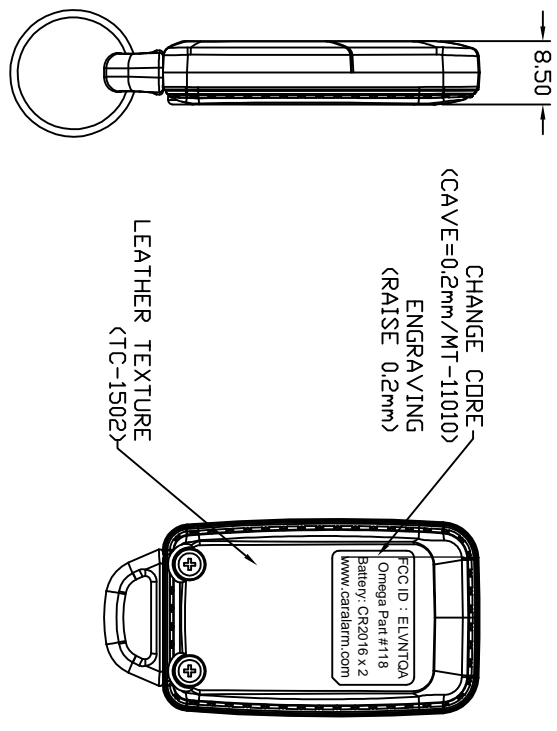
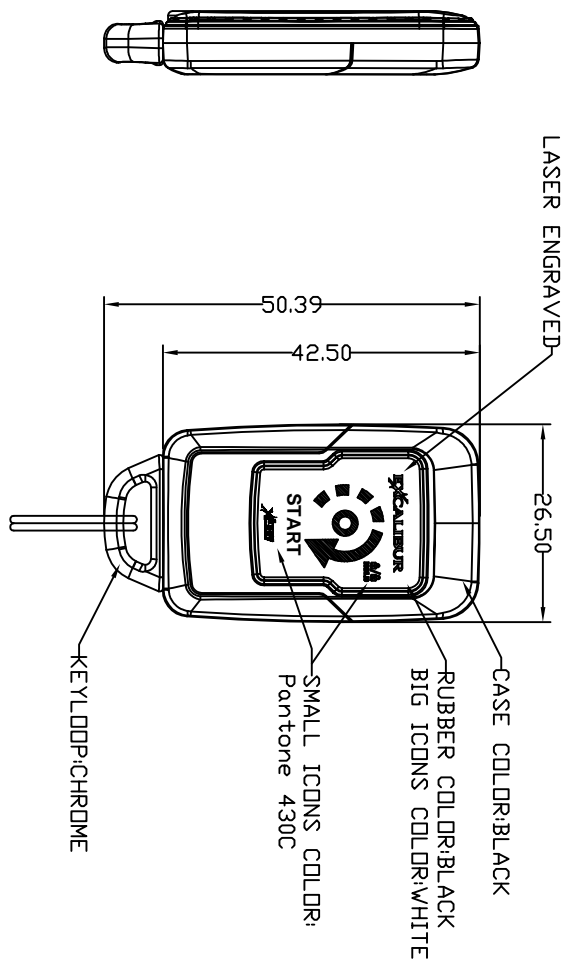


REVISIONS			
REV.	ACC.	DESCRIPTION	DRN. DATE
1			
2			
3			



PART	P/N
CASE	IAEQ0002
METAL KEY LOOP	MDXH0S00
RUBBER	NKEQ00B0
KEY CHAIN	MA150000
SCREW	MIF17N06*2

tolerance please refer specification of tolerance limits 'g' INHER TOLERANCE SPEC.

Dimension	A	B	C
UNDER 6	± 0.08	± 0.16	± 0.30
6-30	± 0.10	± 0.20	± 0.40
30-120	± 0.20	± 0.40	± 0.80
120-300	± 0.40	± 0.80	± 2.00

BODY MATERIAL: ABS
 1. Texture is same as MT-11010
 2. Radius will be 0.2 if not specified.

SCALE: 1:1	UNIT: M/M	DRN BY: FELIX	DATE: 2016/3/28	TITLE: NUTTEK CORPORATION	
MATERIAL		CHK BY: YYS		EXC	
FINISH		APPD BY: Victor		118-03 TX	
CODE		SHEET	OF	SIZE: A4	DEPT: 10410060-1
				REV: 0	