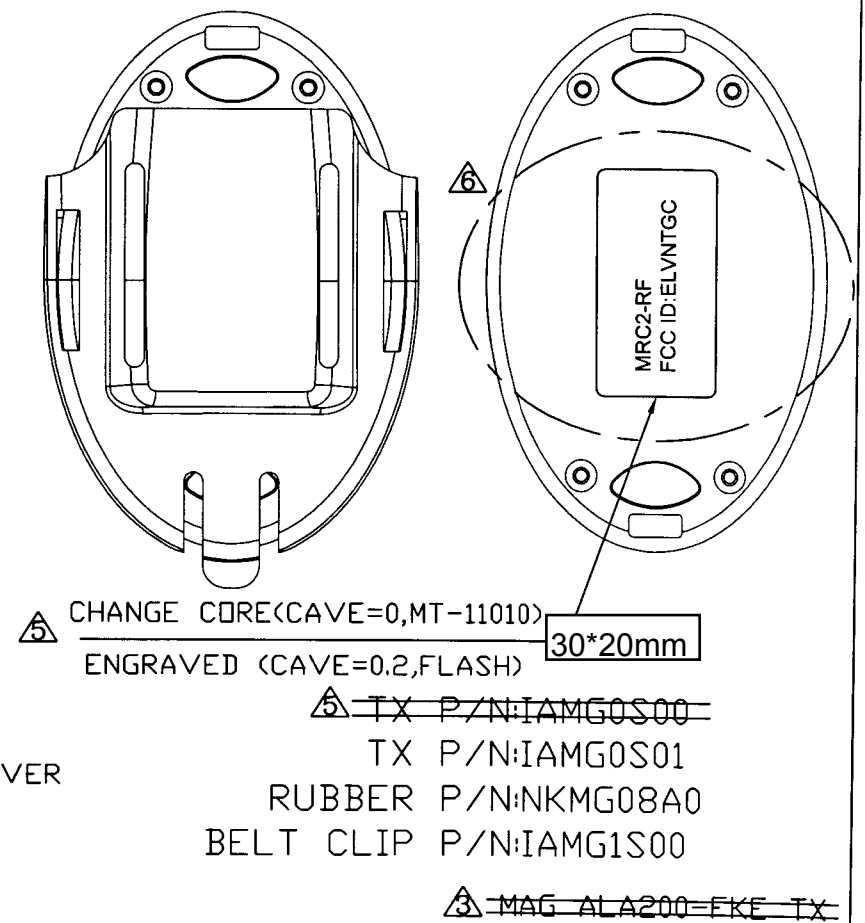
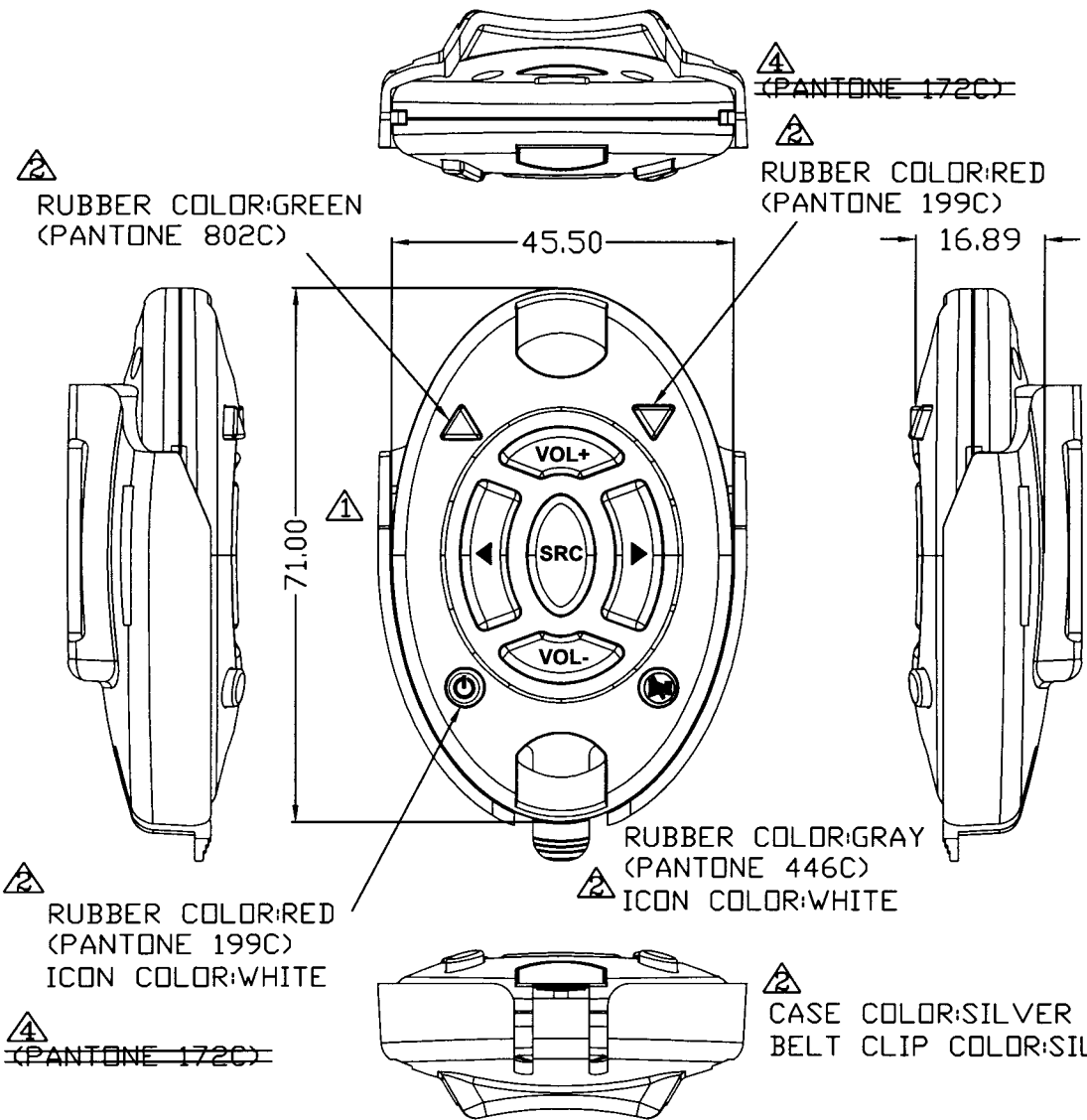


REVISIONS			
REV.	DESCRIPTION	DRN.	DATE
①	CORRECT DWG	SRZ	8/23/07
②	ADD COLOR	SRZ	9/12/07
③	MODIFY TITLE	SRZ	9/13/07
④	MODIFY RUBBER COLOR	SRZ	10/29/07
⑤	ADD ENGRAVING	SRZ	11/16/07
⑥	ADD FCC ID	SRZ	12/03/07



*Tolerance please refer specification of tolerance limits "B"

DIMENSION	INJECT TOLERANCE SPEC.			
	GRADE	A	B	C
UNDER 6	±	0.08	0.16	0.30
6~30	±	0.10	0.20	0.40
30~120	±	0.20	0.40	0.80
120~300	±	0.40	0.80	2.00

BODY MATERIAL : ABS

1. Texture is same as MT-11010
2. Radius will be 0.2 if not specified.
3. Screw : MTF02008*4

SCALE: 1:1	UNIT: M/M	DRN BY SRZ	DATE 7/27/07	NUTEK CORPORATION		
MATERIAL		CHK BY VICTOR	TITLE MAG MRC2 TX			
FINISH		APPD BY YGF	SIZE A4	DEPT	DRAWING NO 96I0350	REV 5
CODE	SHEET	OF				