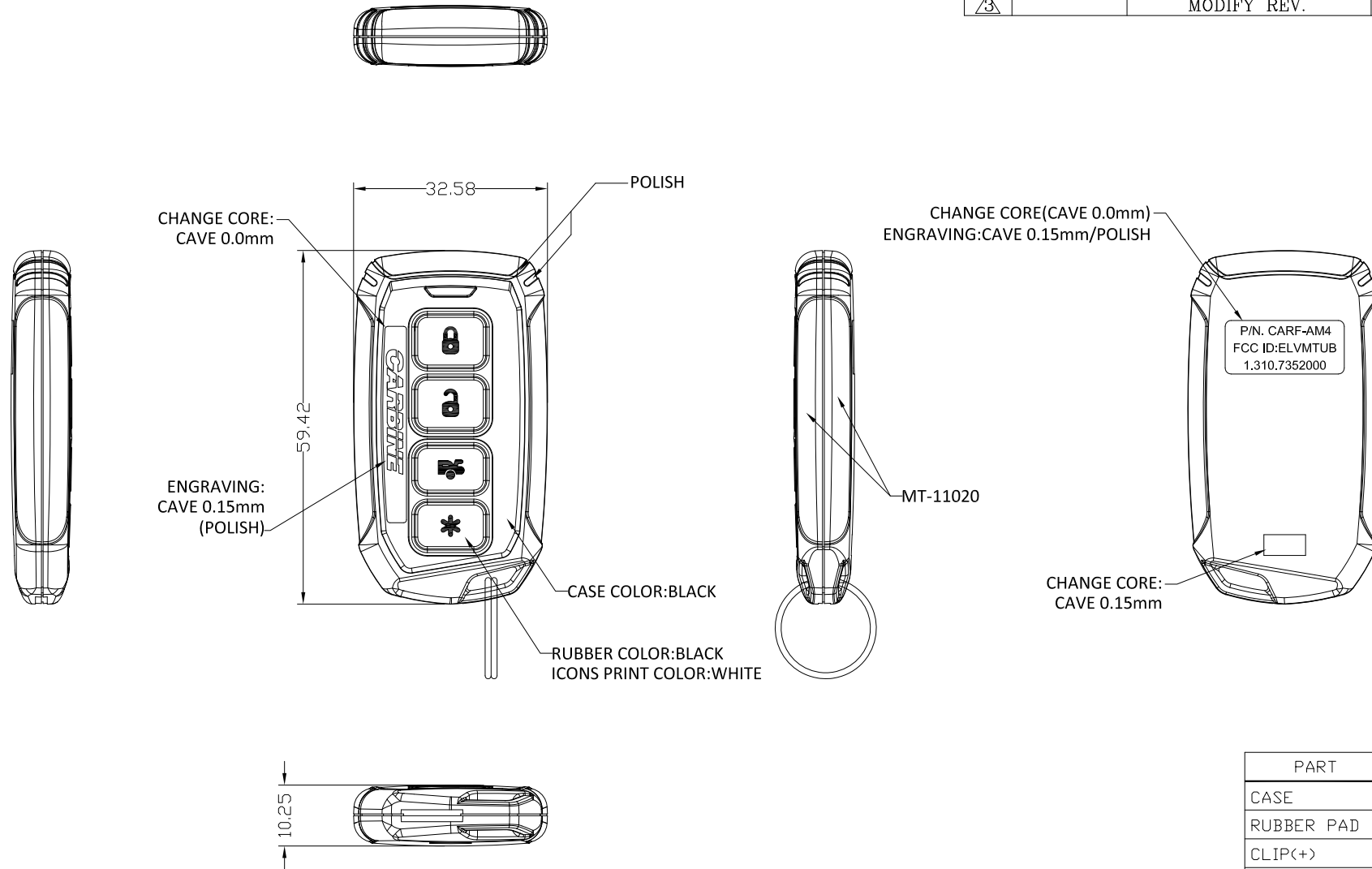


REVISIONS

REV.	ACC.	DESCRIPTION	DRN.	DATE
1	10/27 MAIL	ADD ENGRAVING	Eason	10/27/'20
2	11/2 MAIL	ADD FCC ID	Eason	11/2/'20
3		MODIFY REV.	Eason	1/7/'21



PART	P/N
CASE	IAMU00A1
RUBBER PAD	NKMU00A0
CLIP(+)	MCY00000
CLIP(-)	MCY000A0
KEY CHAIN	MA150000

BODY MATERIAL : PC+ABS

1. Texture is same as MT-11010
2. Radiused will be 0.2 if not specified.

*Tolerance please refer specification of tolerance limits "C"

GRADE	INJECT TOLERANCE SPEC.		
	A	B	C
UNDER 6	0.08	0.16	0.30
6-30	0.10	0.20	0.40
30-120	0.20	0.40	0.80
120-300	0.40	0.80	2.00

SCALE: 1:1	UNIT: M/M	DRN BY Eason	DATE 2020/10/20	NUTEK CORPORATION			
MATERIAL		CHK BY YYS	2021/1/7	TITLE CARF-AM4 (434 ASK)			
FINISH		APPD BY YYS	2021/1/7	SIZE A4	DEPT	DRAWING NO 109I0110	REV 3
CODE		SHEET	OF				