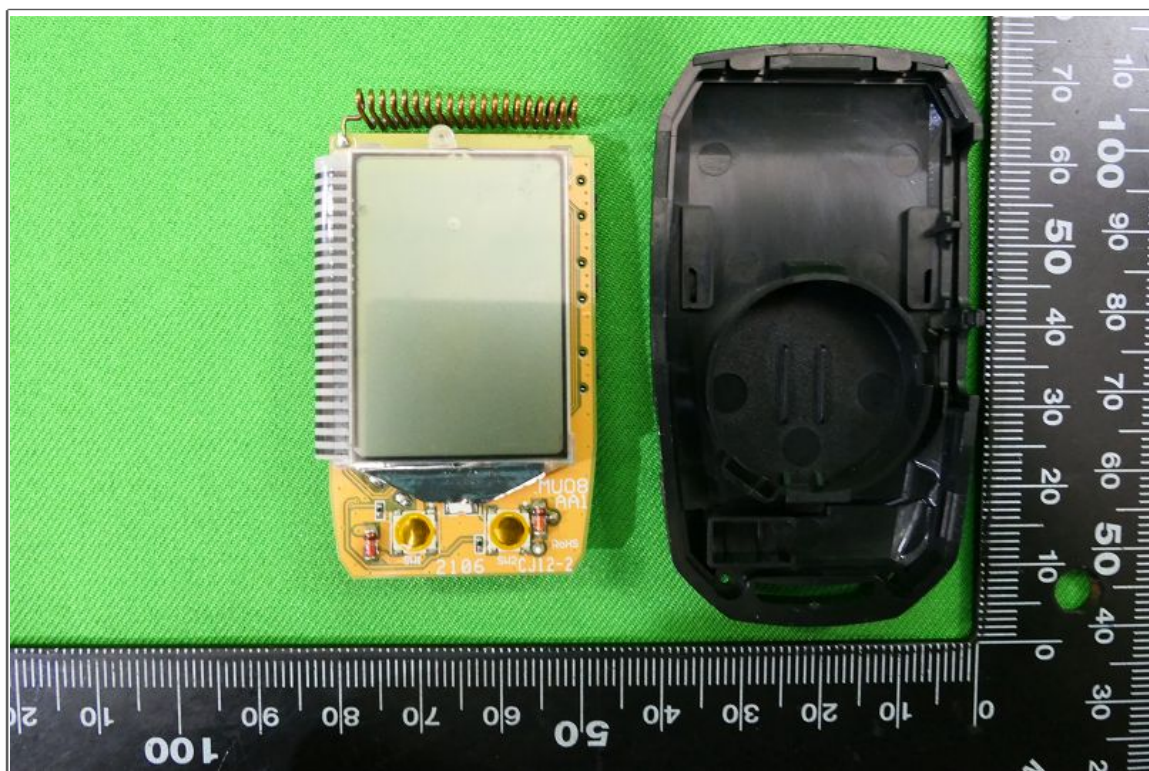
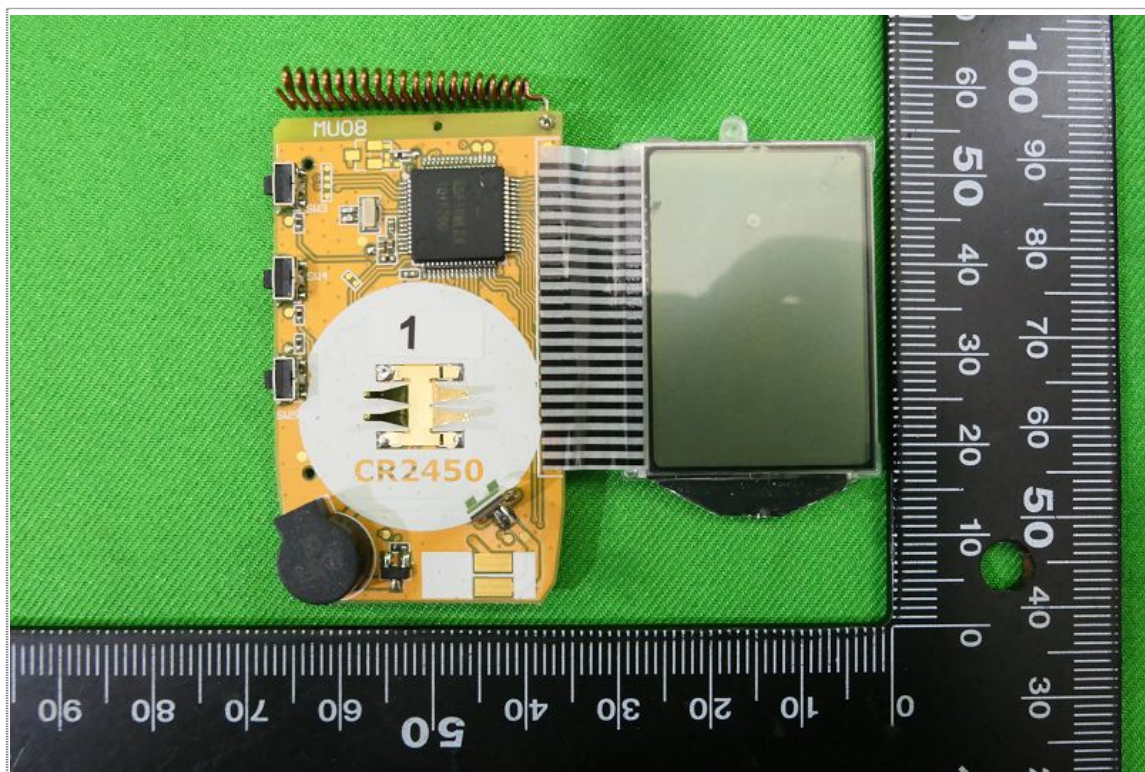




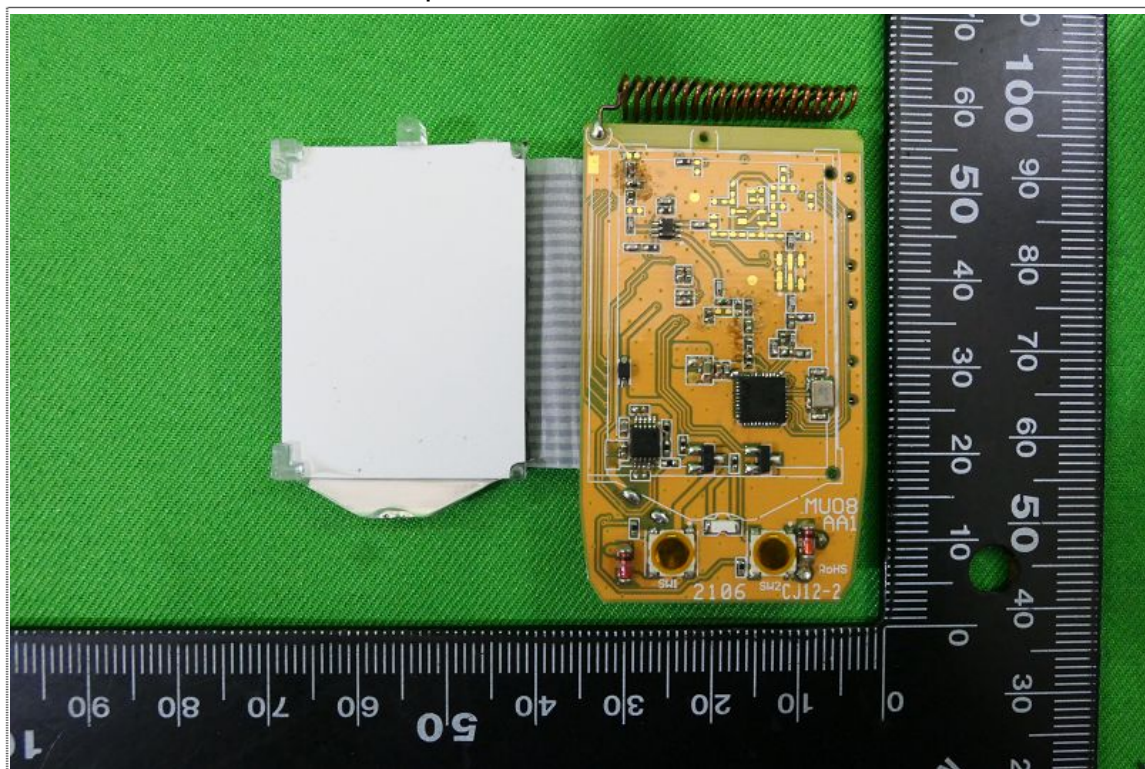
Inner View of EUT-1



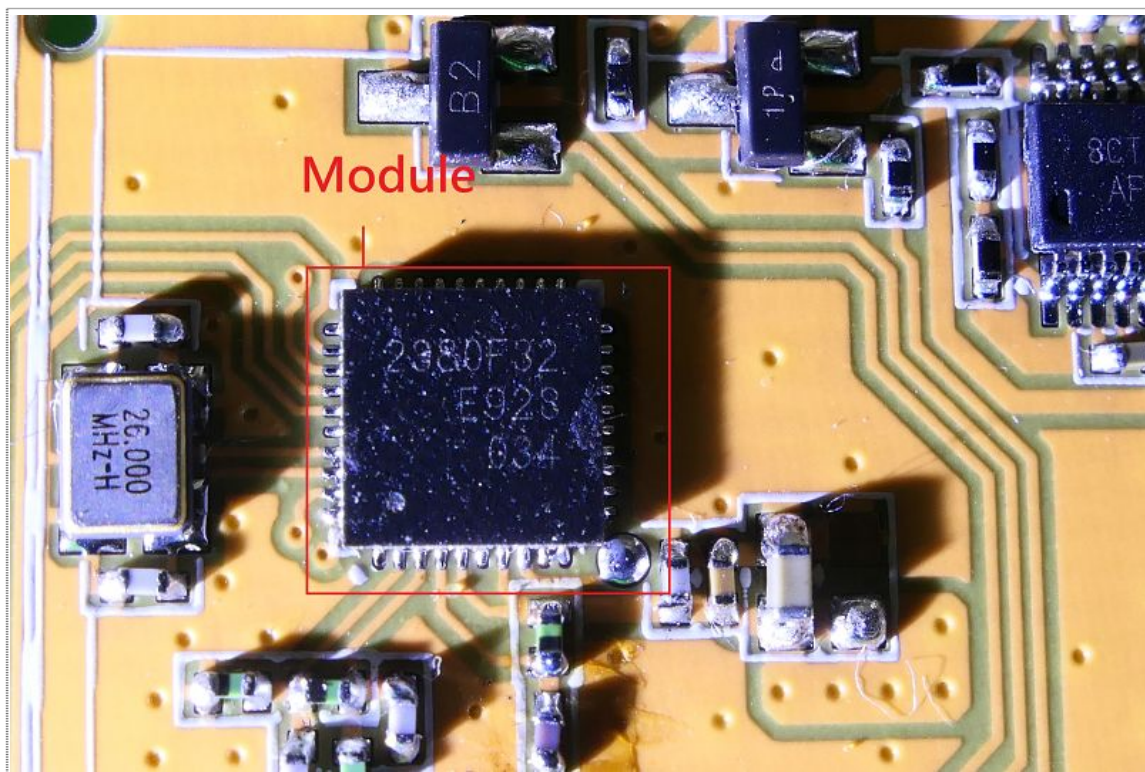
Inner View of EUT-2



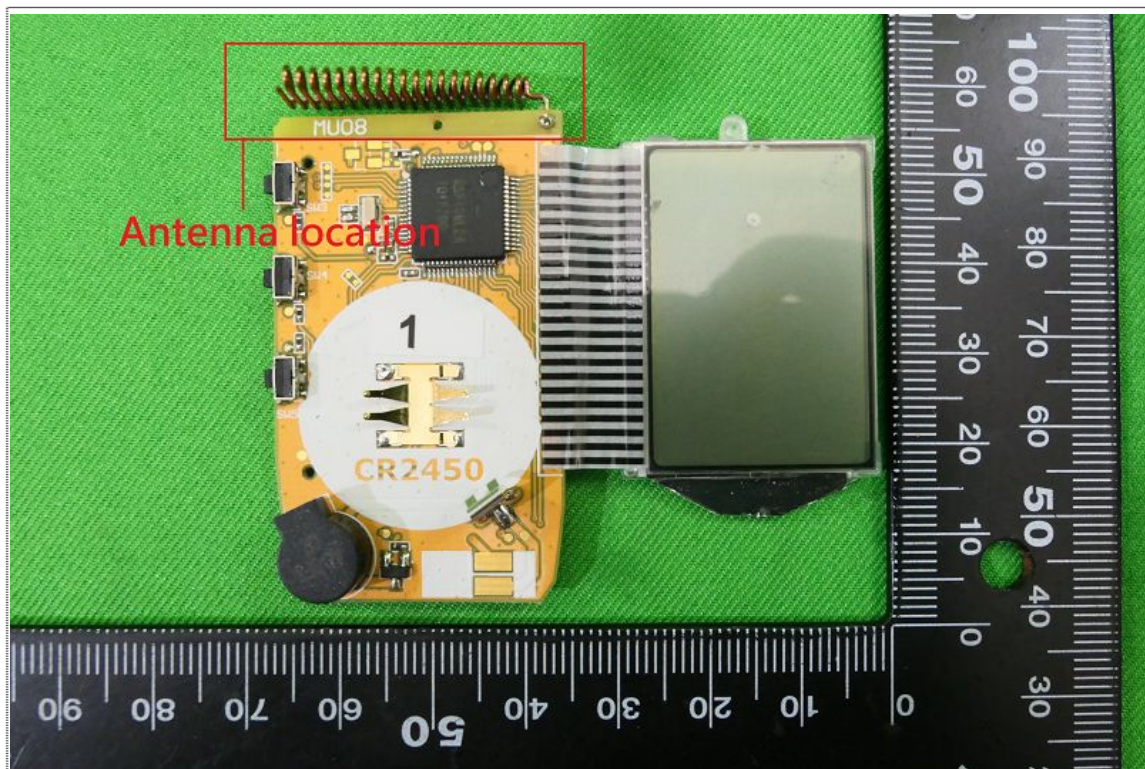
Component View of Main Board



Solder View of Main Board



View of Module



View of Antenna Location