

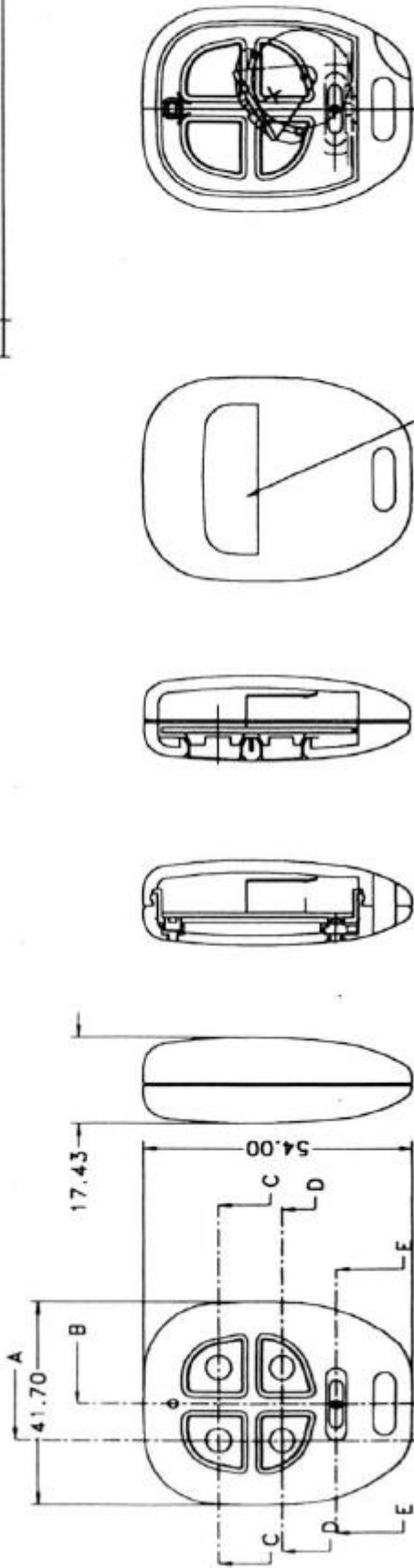
302MHZ

NS1F045A

NUTEK CORPORATION	
NAME: MT9C	
APPD BY:	DATE:
CHK BY:	DATE:
DRN BY: FRANK SHEE	DATE: 2000 4 10
SHEET 1 OF 1	REV: A

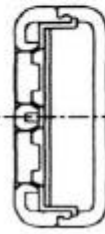
REVISIONS

NO.	DESCRIPTION	DRN.	DATE
1	ADD A~E SECTION	YGF	11/10/99



SEC. A-A

SEC. B-B



SEC. C-C



SEC. D-D



SEC. E-E

MODEL	PART NUMBER	DESCRIPTION
SCALE: 1:1	DRN BY: YGF	DATE: 11/1/99
MATERIAL: PC+ABS	CHK BY: YGF	TITLE: NUTEK CORPORATION
FINISH: BLACK	APPD BY: YGF	SIZE: A3
CODE:	SHEET: 1	OF: 1
		DRWING NO: M8810390
		REV: 1

