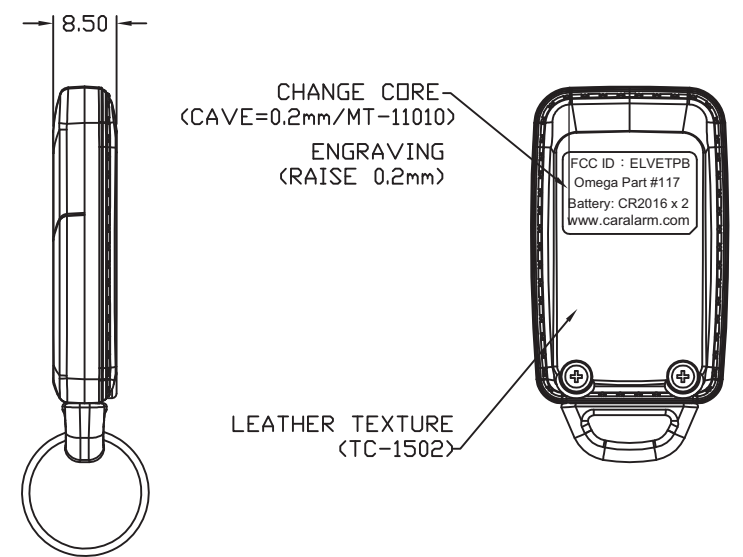
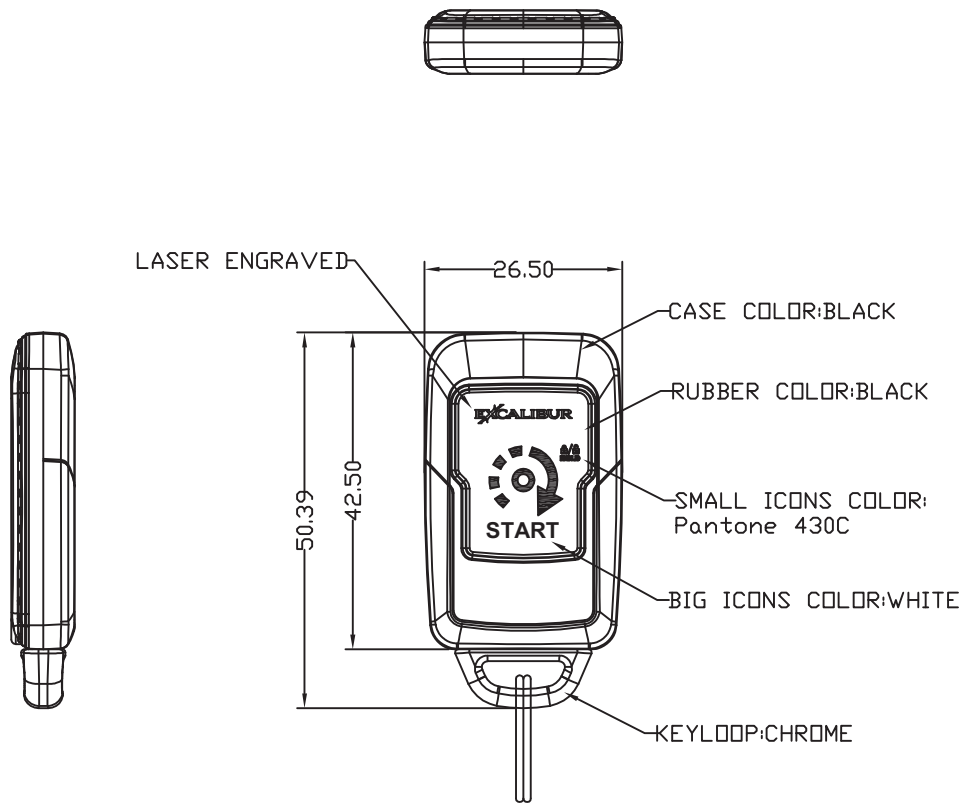


REVISIONS				
REV.	ACC.	DESCRIPTION	DRN.	DATE
△		ADD ENGRAVING	Eason	4/21/'15
△		MODIFY SCREW P/N	Eason	5/6/'15



PART	P/N
CASE	IAEQ0001
METAL KEYLOOP	MDXHOS00
RUBBER	NKEQ00A0
KEY CHAIN	MA150000
SCREW	MIF17N06*2

\*Tolerance please refer specification of tolerance limits 'B'

INJECT TOLERANCE SPEC.

GRADE	A	B	C
UNDER 6	0.08	0.16	0.30
6~30	0.10	0.20	0.40
30~120	0.20	0.40	0.80
120~300	0.40	0.80	2.00

BODY MATERIAL : ABS

1. Texture is same as MT-11010

2. Radius will be 0.2 if not specified.

SCALE: 1:1	UNIT: M/M	DRN BY Eason	DATE 2015/2/12	NUTEK CORPORATION	
MATERIAL	CHK BY YYS	5/6	TITLE EXC 117 TX		
FINISH	APPD BY Victor	5/6	SIZE A4	DEPT	DRAWING NO 104I0060
CODE	SHEET	OF			REV 2