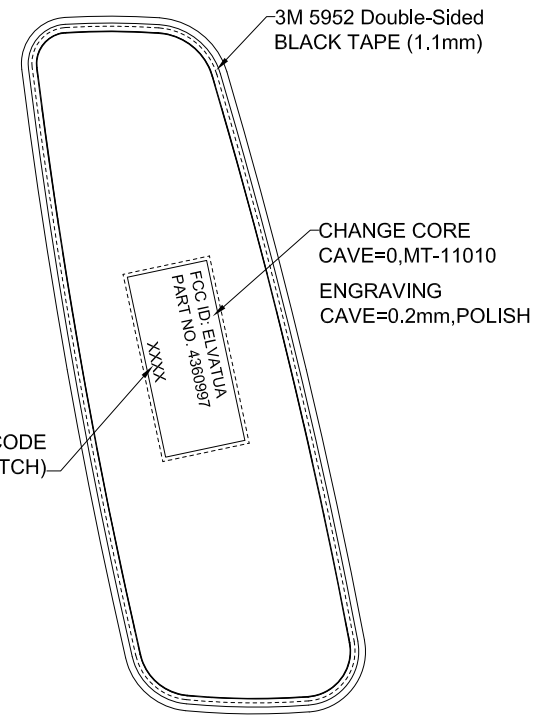
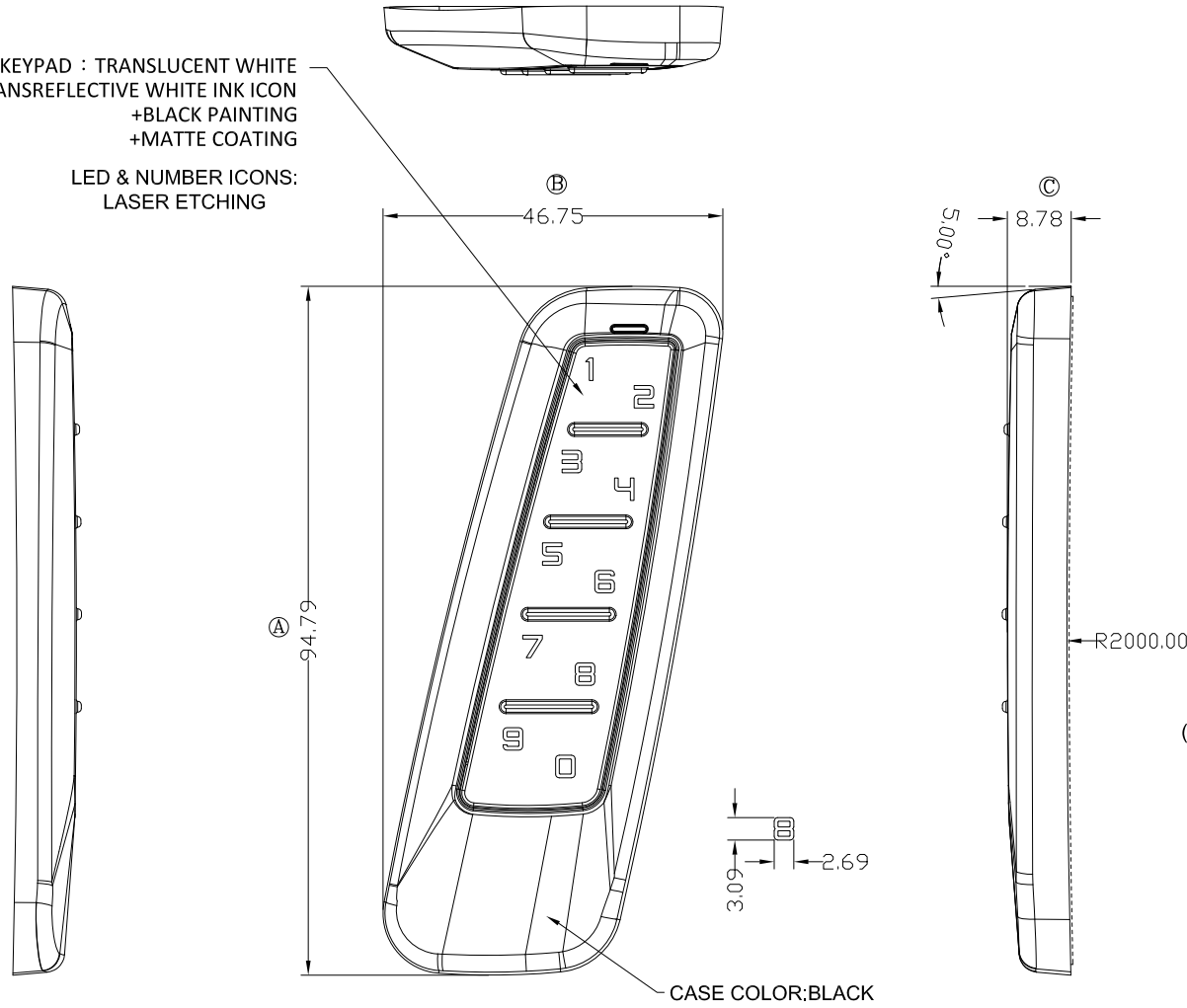


Top Secret	Secret	Confidential	Unclassified	
REVISIONS				
REV.	ACC.	DESCRIPTION	DRN.	DATE
△				
△				

RUBBER KEYPAD : TRANSLUCENT WHITE
 +TRANSREFLECTIVE WHITE INK ICON
 +BLACK PAINTING
 +MATTE COATING

LED & NUMBER ICONS:
 LASER ETCHING



CASE COLOR:BLACK

PART	P/N
CASE	IAAS4002
RUBBER	NKAS40B0
3M TAPE	NTAS4000

*Tolerance please refer specification of tolerance limits 'C'

DIMENSION	INJECT TOLERANCE SPEC.		
	A	B	C
UNDER 6	0.08	0.16	0.30
6~30	0.10	0.20	0.40
30~120	0.20	0.40	0.80
120~300	0.40	0.80	2.00

Test conditions refer GMW14650

CASE MATERIAL : PC+ABS (BAYER T85XF)
 RUBBER MATERIAL : DOW CORNING XIAMETER RBB-6650-50
 1. CASE texture is same as MT-11030
 2. Radiuses will be 0.2 if not specified.

SPECIAL CHAR.				
CLASS	NO.	PRODUCT CHAR.	SPECIFICATION /TOLERANCE	REMARK
K	A	CASE LENGTH	94.79±0.5	
K	B	CASE WIDTH	46.75±0.5	
K	C	CASE HEIGHT	8.78±0.5	

SCALE: 1:1	UNIT: M/M	DRN BY Eason	DATE 2020/6/11
MATERIAL	CHK BY YYS	DATE '20/6/11	
FINISH	APPD BY Victor	DATE '20/6/11	
CODE	SHEET	OF	

NUTEK CORPORATION			
TITLE 4360997			
SIZE A4	DEPT	DRAWING NO 106I0200-1	REV 0