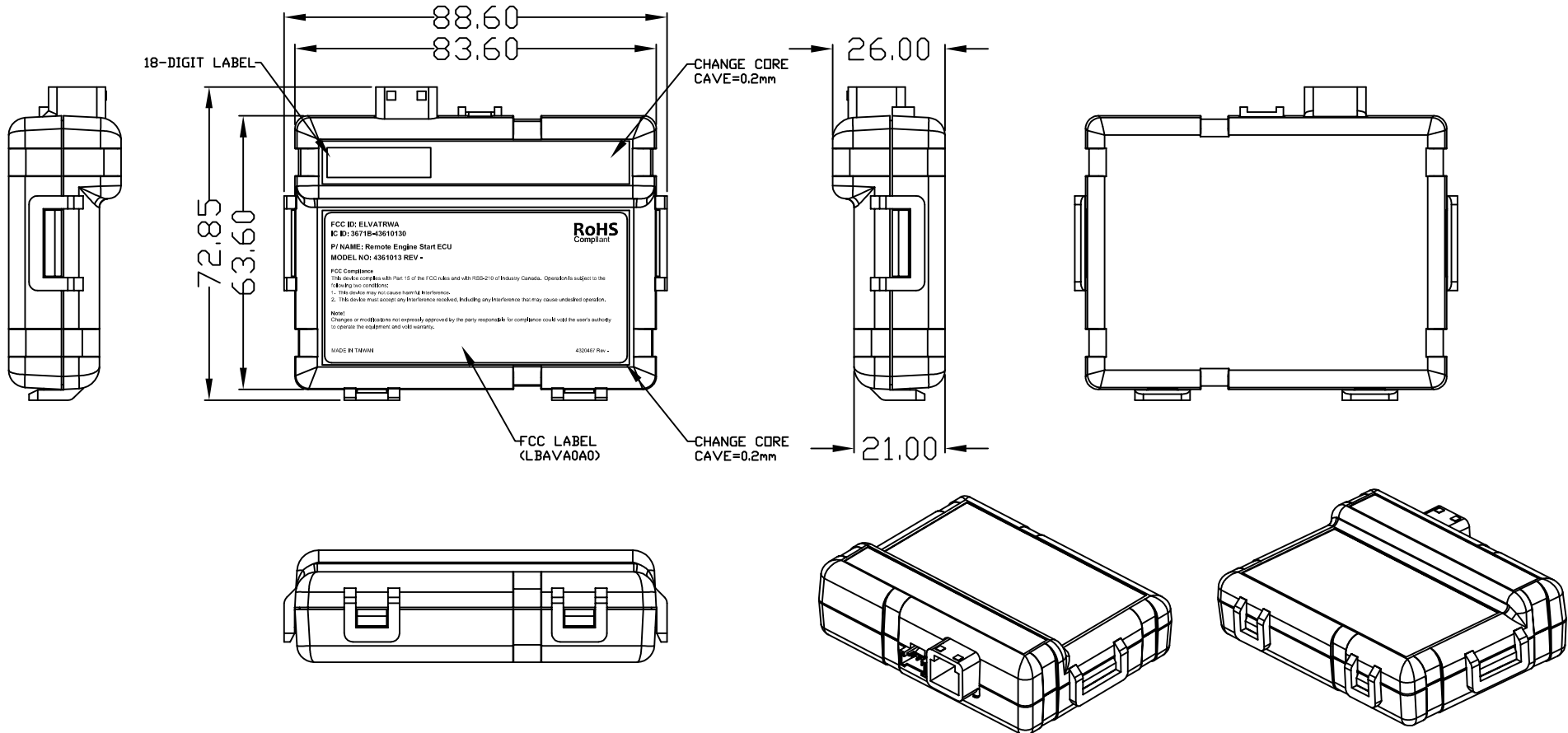
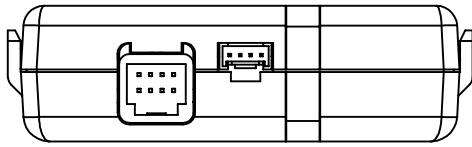


Top Secret		Secret	Confidential	Unclassified
REVISIONS				
REV.	ACC.	DESCRIPTION	DRN.	DATE
▲	4/19 MAIL	MODIFY REV.	Eason	4/21/'21
▲	11/4 MAIL	MODIFY REV.	Eason	11/4/'21
▲	8/29 MAIL	ADD CHANGE CORE	Eason	8/29/'22
▲	5/29 MAIL	ADD FCC LABEL P/N	Eason	5/29/'23
▲		MODIFY REV.	Eason	7/4/'23



BODY MATERIAL : ABS+PC  
 1. Texture is same as MT-11020  
 2. Radius will be 0.2 if not specified.

\*Tolerance please refer specification of tolerance Units "C"

DIMENSION	INJECT TOLERANCE SPEC.		
	A ±	B ±	C ±
LENGTH	0.08	0.16	0.30
φ~30	0.10	0.20	0.40
30~120	0.20	0.40	0.80
120~300	0.40	0.80	2.00

SCALE: 1:1	UNIT: M/M	DRN BY Eason	DATE 4/16/'21	NUTEK CORPORATION	
MATERIAL		CHK BY Horace	DATE 7/4/'23	TITLE 4361013	
FINISH		APPD BY Gritty	DATE 7/4/'23	SUBARU CAN MODULE	
CODE		SHEET OF		SIZE A3	DEPT 110I0020
				DRAWING NO 110I0020	REV 5

P/N:IAAVA0A0