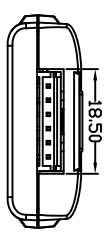
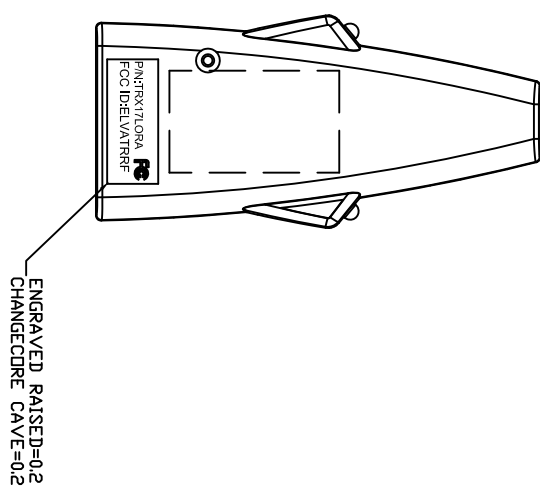
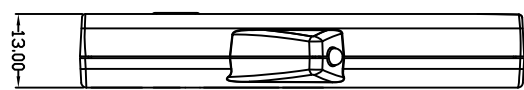
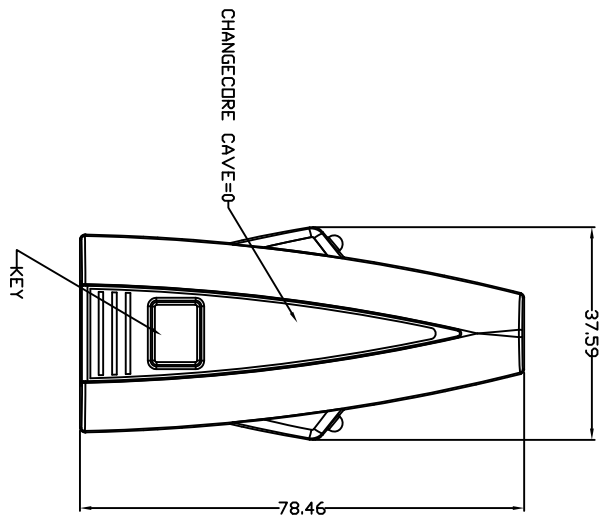


REVISIONS			
REV.	ACC.	DESCRIPTION	DRN. DATE
1			



BODY MATERIAL : HI-HEAT ABS+UV

1. Texture is same as MT-111020
2. Radious will be 0.2 if not specified.
3. Screw : MTP02010*1

tolerance please refer specification of tolerance limits in the drawing.

Material	A	B	C
UNLESS OTHERWISE SPECIFIED	0.08	0.16	0.30
0.1-0.5	0.10	0.20	0.40
0.5-1.0	0.20	0.40	0.80
1.0-3.0	0.40	0.80	2.00

CASE: IAAPG00D
 KEY: IKAGA000
 TAPE: NTAPG00A

SCALE: 1:1	UNIT: M/M	DRN BY: FELIX	DATE: 2017/4/6	TITLE: NUTTEK CORPORATION
MATERIAL		CHK BY: VVS		AXC TRX17L0RA
FINISH		APPD BY: VICTOR		SIZE: A3
CODE		SHEET: OF		DEPT: 10310140-3
				REV: 0