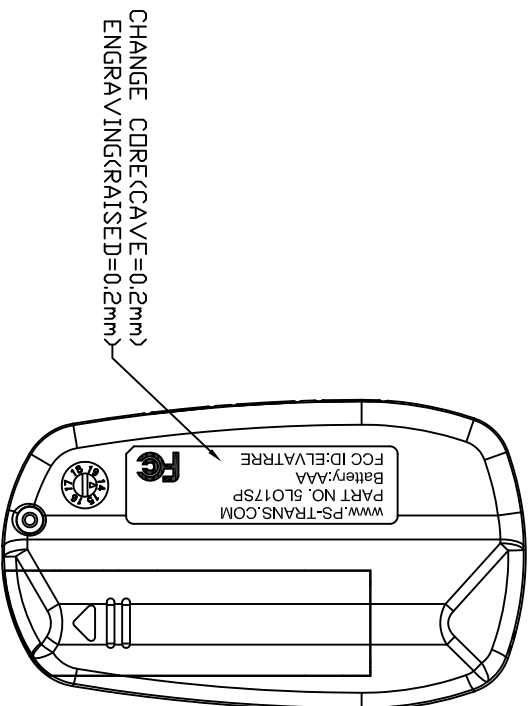


REVISIONS			
REV	ACC.	DESCRIPTION	DRN. DATE
1			



PART	P/N	PART	P/N
CASE	IAAN3003	KEY CHAIN	MA160000
BAT. COVER	IGAN3000	SCREW	MIF17006
METAL LOOP	MDAN3S00	TOP KEY	NKAN30A0
LENS	IRAN30A0	SIDE KEY	NKAN40B0
PORON	NTEB0002*2	FOAM	NTUD10A0

Tolerance please refer specification of tolerance limits

UNIT	A	B	C
UNDER 6	0.08	0.16	0.30
6-30	0.10	0.20	0.40
30-120	0.20	0.40	0.80
120-300	0.40	0.80	2.00

SCALE: 1:1	UNIT: M/M	DRN BY: FELIX	DATE: 2017/4/6	TITLE: NUTTEK CORPORATION	
MATERIAL	CHK BY: VYS	APPD BY: VICTOR		SIZE: A4	DEPT: DRAWING NO: 10210310-2
FINISH				REV: 0	
CODE		SHEET: OF			

BODY MATERIAL : PC+ABS
 1. Texture is same as MT-11010
 2. Radious will be 0.2 if not specified.