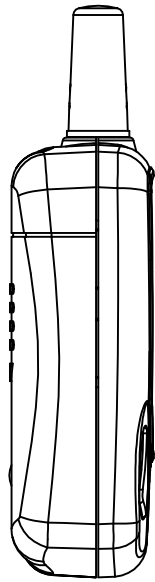


REVISIONS				
REV.	ACC.	DESCRIPTION	DRN.	DATE
①	5/22 MAIL	MODIFY LENS	YYS	5/22/'07
②		MODIFY P/N	VICTOR	6/8/07
③		ADD DATE CORE	SRZ	6/23/07
④	9/22 MAIL	CHANGE FCC	Eason	9/22/'16



① ~~GLASS BLACK~~
LENS COLOR:BLACK

PRINT COLOR:SILVER

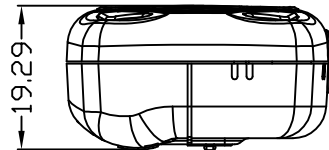
KEY TOP

ICONS COLOR:WHITE

RUBBER COLOR:BLUE
(#2925U)

RUBBER COLOR:GRAY
(Cool Gray 10C)

CASE COLOR:BLACK



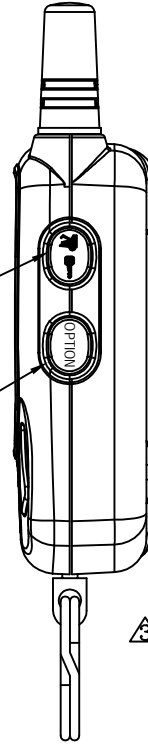
19.29

KEY SIDE

ICONS COLOR:WHITE

RUBBER COLOR:GREEN
(#346C)

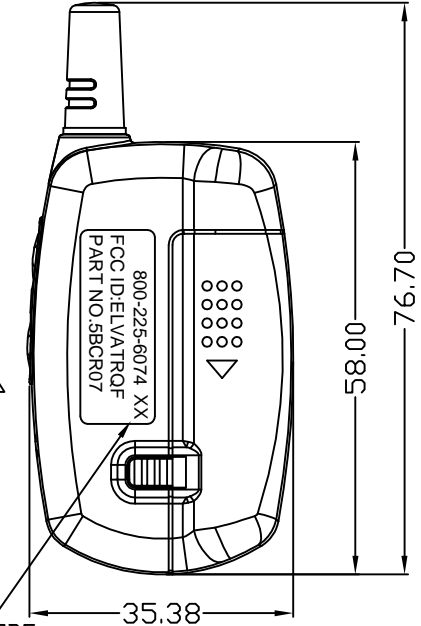
RUBBER COLOR:GRAY
(Cool Gray 10C)



④ PRINT DATE CODE
(FLAT/FLUSH)

① ~~IRAB00C0~~

② ~~IAAB0008~~



58.00

76.70

35.38

BODY MATERIAL : ABS+PC

1. Texture is same as MT-11010
2. Radius will be 0.2 if not specified.
3. Body color : BLACK
4. Battery : GP24A
5. Battery clip : MCAB0000
6. Key chain : MA160000
7. Screw : MIP01445

PART	P/N	PART	P/N
CASE	IAAB00AB	SCREW	MIP01445
BAT COVER	IGAB0000	HEAT SEAL	HLAB0000
ANT COVER	IAAB2001	BUBBLE BAG	NDAB0000
KEY TOP	NKAB06A0	FOAM TAPE	NTAB0000
KEY SIDE	NKAB15C0	BATTERY	GP24A
LENS	IRAB00C0		
HOLD	HDAB0000	BAT CILP	MCAB00A0
			MCAB00B0

*Tolerance please refer specification of tolerance units *C

DIMENSION	MILMET TOLERANCE SPEC.		
	A	B	C
UNDER 6	± 0.08	± 0.16	± 0.30
6-30	± 0.10	± 0.20	± 0.40
30-120	± 0.20	± 0.40	± 0.80
120-300	± 0.40	± 0.80	± 2.00

SCALE: 1:1	UNIT: M/M	DRN BY Eason	DATE 2007/5/11	NUTEK CORPORATION		
MATERIAL	CHK BY YYS	9/22	TITLE 5BCR07	SIZE A4	DEPT	DRAWING NO 91I0020-12
FINISH	APPD BY YGF	9/22	REV 4			
CODE	SHEET	OF				