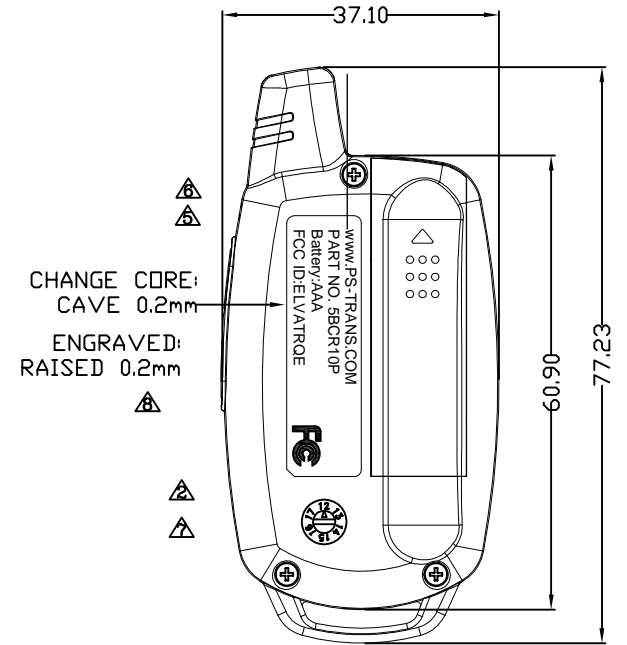
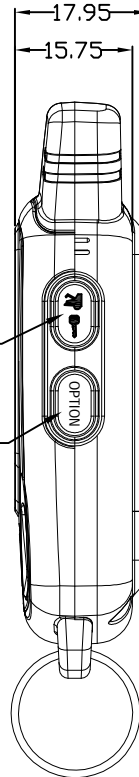
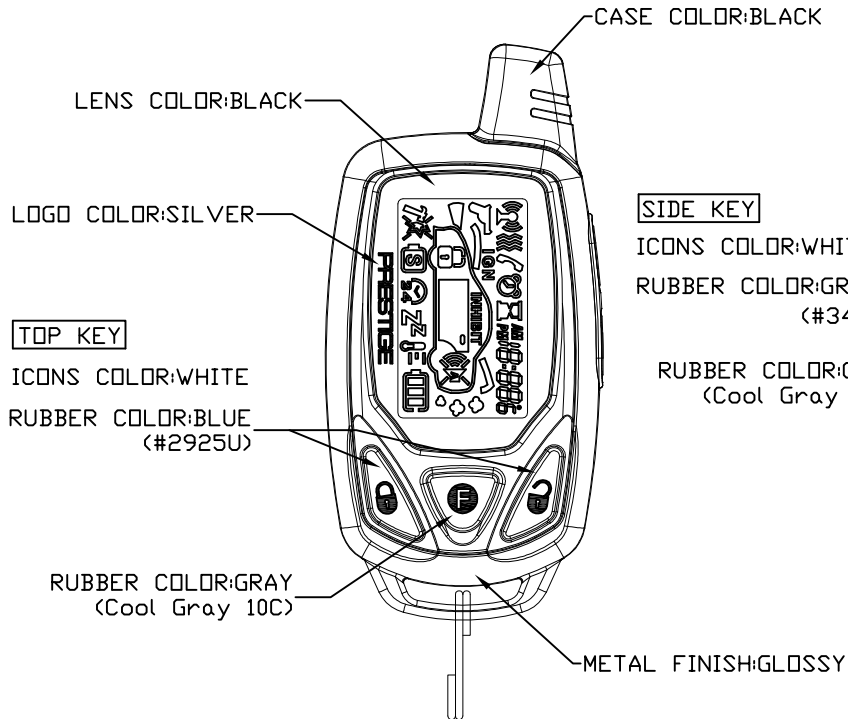
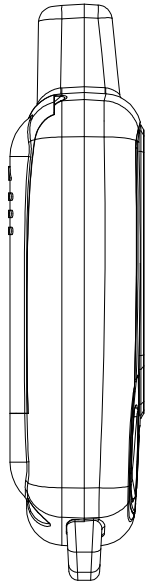
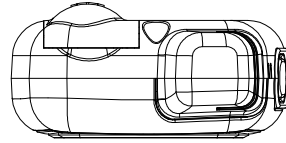


REVISIONS				
REV.	ACC.	DESCRIPTION	DRN.	DATE
△		ADD ENGRAVING	YYS	1/13/10
△		ADD FCC LOGO	Eason	1/28/10
△		MODIFY P/N	Eason	5/18/10
△		MODIFY SCREW P/N	Eason	12/29/10
△	10/31 MAIL	MODIFY ENGRAVING	Eason	10/31/11
△	11/1 MAIL	MODIFY ENGRAVING	Eason	11/1/11
△	11/7 MAIL	ADD DATE CORE	Eason	11/7/11
△	9/22 MAIL	CHANGE FCC	Eason	9/22/16



~~IAAJ5001~~

PART	P/N	PART	P/N
CASE	IAAJ5007	SCREW	MIF17006*3
BAT. COVER	IGAJ5000	KEY CHAIN	MA150000
METAL SHELL	MDAJ5S00	BUBBLE BAG	NDAB00A0
LENS	IRAB0CD0	PORON	NTAB0003*2
TOP KEY	NKAJ56A0	BATTERY	GP24A
SIDE KEY	NKAJ65A0		

BODY MATERIAL : ABS+PC

1. Texture is same as MT-11010
2. Radii will be 0.2 if not specified.

*Tolerance please refer specification of tolerance units "C"
MILITARY TOLERANCE SPEC.

GRADE	A	B	C
UNDER 6	± 0.08	± 0.18	± 0.30
6-30	± 0.10	± 0.20	± 0.40
30-120	± 0.20	± 0.40	± 0.80
120-300	± 0.40	± 0.80	± 2.00

SCALE: 1:1	UNIT: M/M	DRN BY Eason	DATE 2009/11/20	NUTEK CORPORATION		
MATERIAL	CHK BY YYS	9/22	TITLE	AXC		
FINISH	APPD BY Victor	9/22		5BCR10P		
CODE	SHEET	OF	SIZE A4	DEPT	DRAWING NO 9810320	REV 8