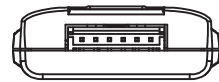
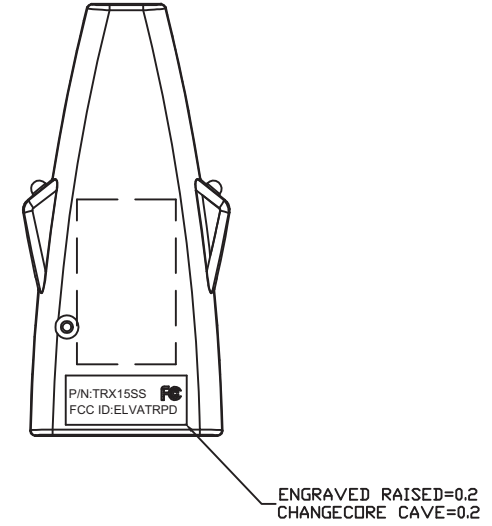
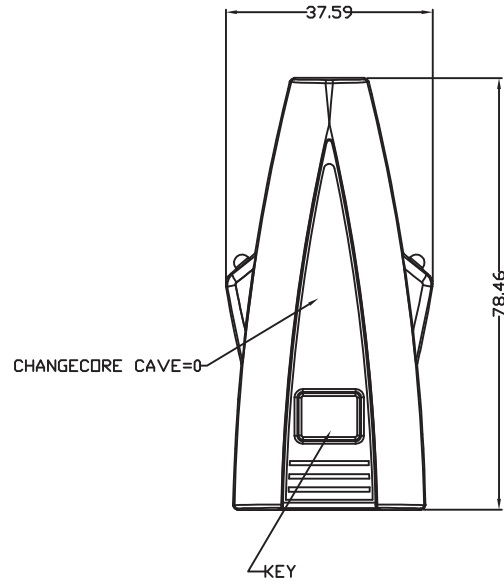


REVISIONS				
REV.	ACC.	DESCRIPTION	DRN.	DATE
△				



CASE: IAAPG00C
 KEY: IKAGA000
 TAPE: NTAPG000

BODY MATERIAL : HI-HEAT ABS+UV
 1. Texture is same as MT-11020
 2. Radius will be 0.2 if not specified.
 3. Screw : MTP02010*1

*Tolerance please refer specification of tolerance units "C"
 SELECT TOLERANCE SPEC.

DIMENSION	TOLERANCE		
	A	B	C
UNDER 6	0.05	0.10	0.30
6~30	0.10	0.20	0.40
30~150	0.20	0.40	0.80
150~300	0.40	0.80	2.00

SCALE: 1:1	UNIT: M/M	DRN BY FELIX	DATE 2015/6/24	NUTEK CORPORATION		
MATERIAL	CHK BY YYS	TITLE		AXC TRX15SS		
FINISH	APPD BY Victor	SIZE	DEPT	DRAWING NO	REV	
CODE	SHEET OF	A3		103I0140-2	0	