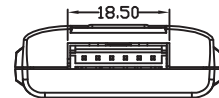
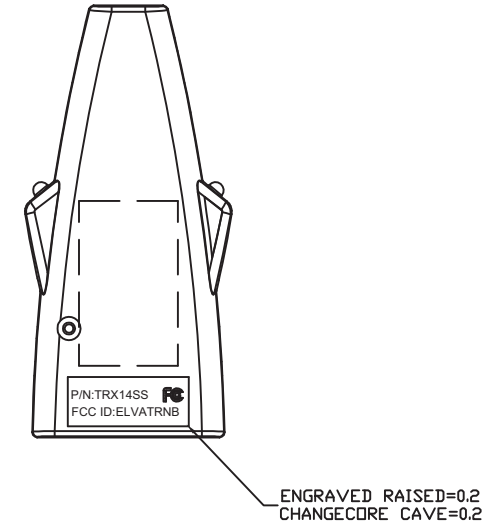
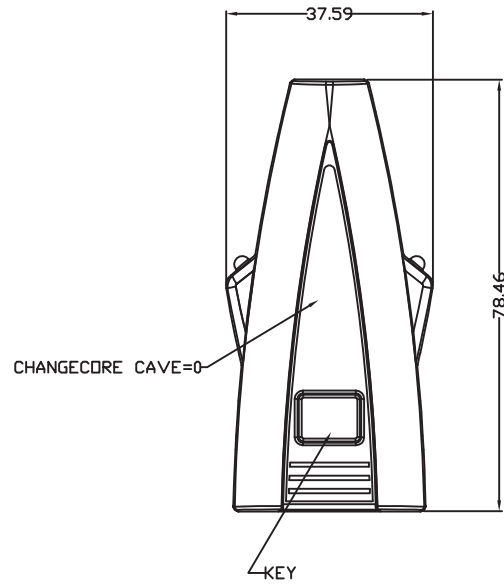


| REVISIONS | | | | |
|-----------|------|----------------|-------|---------|
| REV. | ACC. | DESCRIPTION | DRN. | DATE |
| △ | | MODIFY ENGRAVE | FELIX | 3/19/14 |
| | | | | |
| | | | | |



CASE: IAAPG00A
KEY: IKAGA000
TAPE: NTAPG000

BODY MATERIAL : HI-HEAT ABS+UV

1. Texture is same as MT-11020
2. Radius will be 0.2 if not specified.
3. Screw : MTP02010*1

*Tolerance please refer specification of tolerance units "C"
UNLESS SPECIFIED OTHERWISE

| GRADE | DIMENSIONAL TOLERANCE SPEC. | | |
|---------|-----------------------------|------|------|
| | A | B | C |
| UNDER 6 | 0.05 | 0.10 | 0.30 |
| 6-25 | 0.10 | 0.20 | 0.40 |
| 30-150 | 0.20 | 0.40 | 0.80 |
| 150-300 | 0.40 | 0.80 | 2.00 |

| | | | | | | |
|---------------|-------------------|----------------------|-----------------|-------------------|------|------------|
| SCALE: 1:1 | UNIT: M/M | DRN BY FELIX | DATE 2/26/14 | NUTEK CORPORATION | | |
| MATERIAL | CHK BY YYS | TITLE AXC TRX14SS | | SIZE | DEPT | DRAWING NO |
| FINISH | APPD BY Victor | SHEET OF | | A3 | | 103I0140 |
| CODE | | | | | | REV 1 |