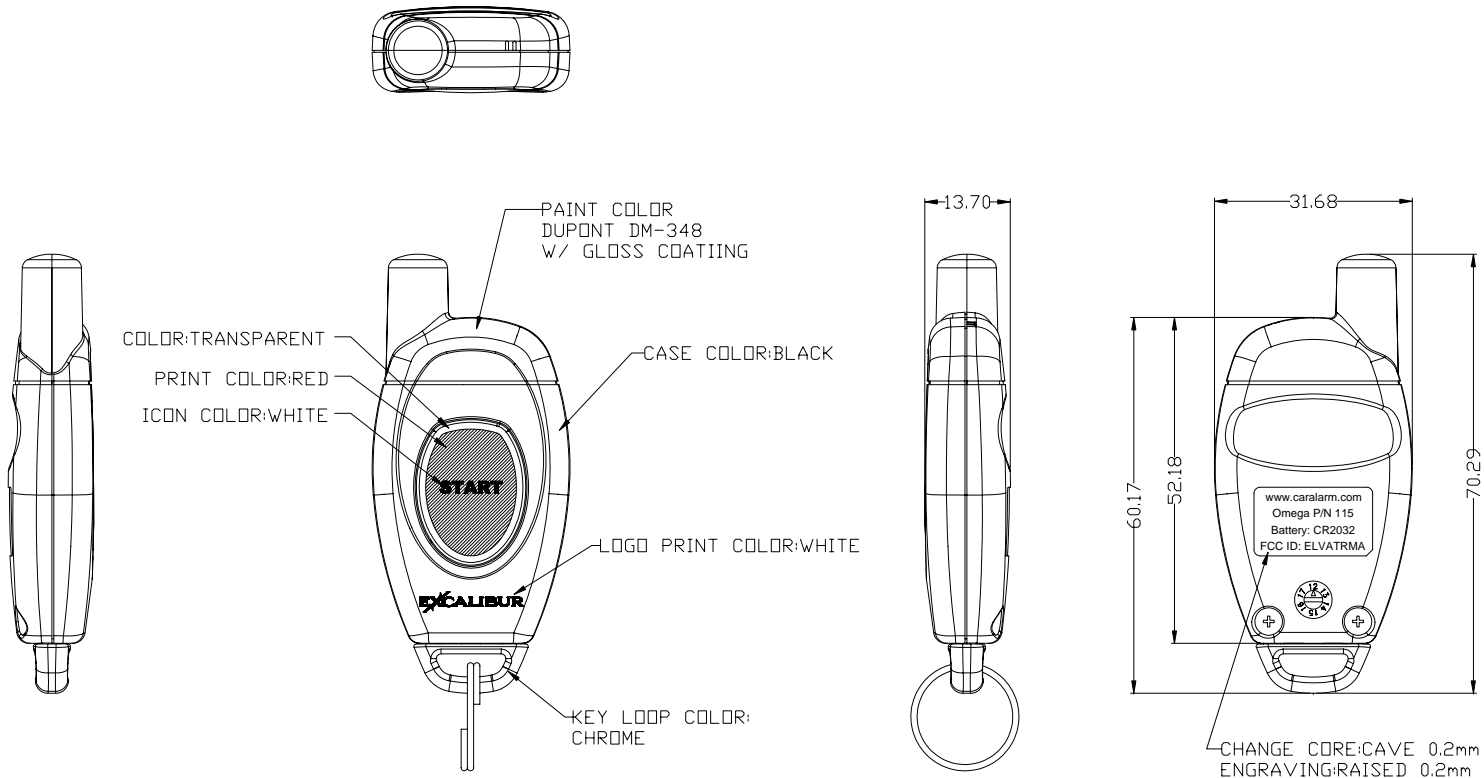


REVISIONS				
REV.	ACC.	DESCRIPTION	DRN.	DATE
△		MODIFY ENGRAVING	Eric	5/21-'13



PART	P/N	PART	P/N
CASE	IAAK2GB3	BATTERY	CR2032
RUBBER KEY	NKAK2CB0	SCREW	MIF17N06*2
KEY LOOP	MDXH0S00		
KEY CHAIN	MA150000		

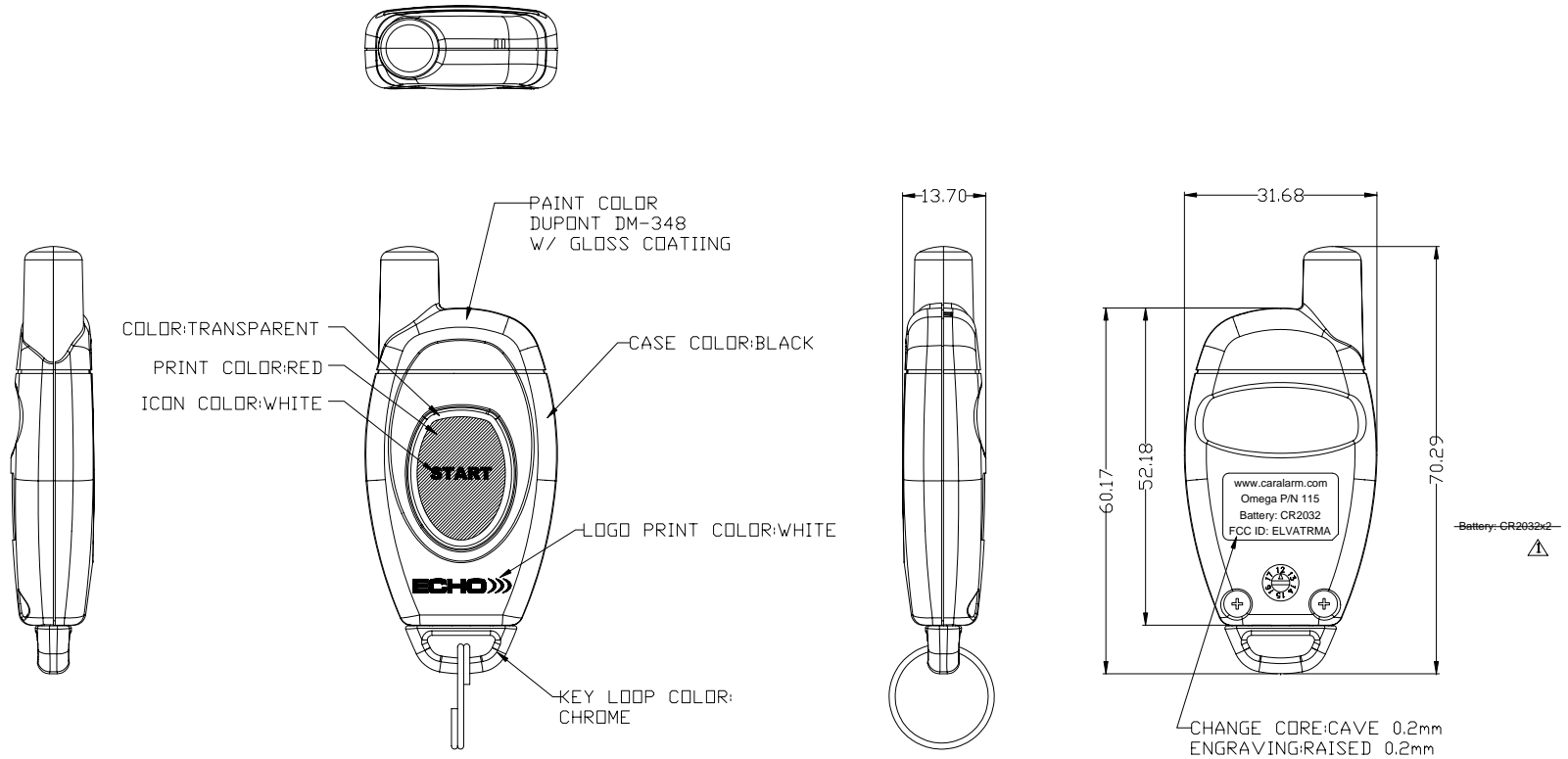
BODY MATERIAL : ABS+PC  
 1. Texture is same as MT-11010  
 2. Radius will be 0.2 if not specified.

\*Tolerance please refer specification of tolerance limits "c"

DIMENSION	DIRECT TOLERANCE SPEC.		
	A	B	C
UNDER 6	0.08	0.16	0.30
6~30	0.10	0.20	0.40
30~120	0.20	0.40	0.80
120~300	0.40	0.80	2.00

SCALE: 1:1	UNIT: M/M	DRN BY Eric	DATE 4/10-'13	NUTEK CORPORATION	
MATERIAL	CHK BY YYS	DATE 5/21-'13	TITLE EXC 115-03 HHU		
FINISH	APPD BY Victor	DATE 5/21-'13	SIZE DEPT A4	DRAWING NO 99I0140-1	REV 1
CODE	SHEET OF				

REVISIONS				
REV.	ACC.	DESCRIPTION	DRN.	DATE
1	Δ	MODIFY ENGRAVING	Eric	5/21-'13



PART	P/N	PART	P/N
CASE	IAAK2GC3	BATTERY	CR2032
RUBBER KEY	NKAK2CB0	SCREW	MIF17N06*2
KEY LOOP	MDXH0S00		
KEY CHAIN	MA150000		

BODY MATERIAL : ABS+PC

1. Texture is same as MT-11010

2. Radius will be 0.2 if not specified.

\*Tolerance please refer specification of tolerance units "C"

GRADE	A	B	C
UNDER 8	0.08	0.16	0.30
8-30	0.10	0.20	0.40
30-120	0.20	0.40	0.80
120-300	0.40	0.80	2.00

SCALE: 1:1	UNIT: M/M	DRN BY Eric	DATE 4/10-'13	NUTEK CORPORATION			
MATERIAL	CHK BY YYS	5/21-'13		TITLE EXC 115-07 HHU			
FINISH	APPD BY Victor	5/21-'13		SIZE	DEPT	DRAWING NO	REV
CODE	SHEET	OF		A4		9910140-2	1