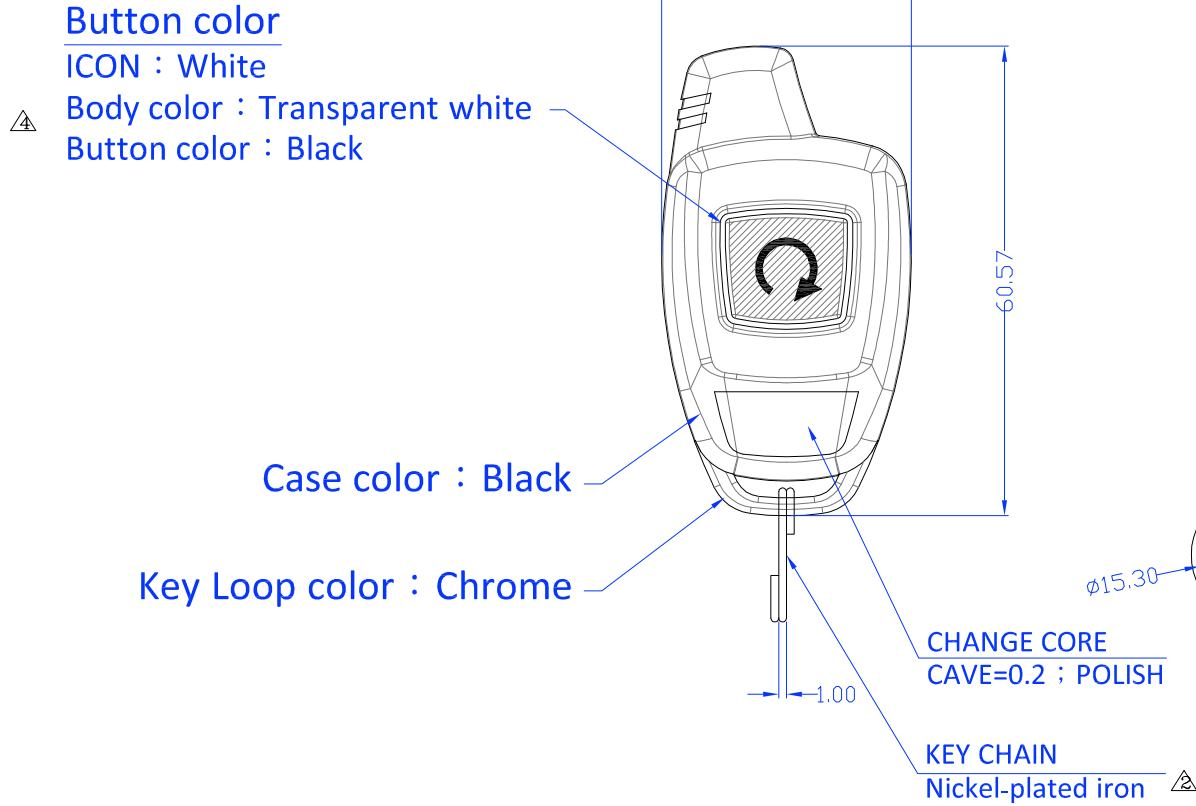


REVISIONS				
REV.	ACC.	DESCRIPTION	DRN.	DATE
△	6/3 email	change rubber paint color	Eric	6/14-'11
△	8/29-'11 Email	Add information	Eric	8/29-'11
△		Add engraving	Eric	2/24-'12
△	10/16 Email	change keypad process	Eric	10/16-'12



PART	P/N	PART	P/N
CASE	IAAJ9001	(-) CLIP	MCD440A0
BUTTON	NKAJ9CB0	(+) CLIP	MCAJ8000
KEY LOOP	MDAJ8S00	SCREW	MIF17006
KEY CHAIN	MA150000	BATTERY	CR2032 x1

BODY MATERIAL : PC/ABS

- Texture is same as MT-11020
- Radiused will be 0.2 if not specified.

\*Tolerance please refer specification of tolerance limits "C" INJECT TOLERANCE SPEC.

GRADE	A	B	C
UNDER 6	0.08	0.16	0.30
6~30	0.10	0.20	0.40
30~120	0.20	0.40	0.80
120~300	0.40	0.80	2.00

SCALE: 1:1	UNIT: M/M	DRN BY Eric	DATE 11/11-'10	NUTEK CORPORATION		
MATERIAL	CHK BY YYS	DATE 10/16-'12	TITLE OE 1-BTN HHU 4360320			
FINISH	APPD BY Victor	DATE 10/16-'12	SIZE A4	DEPT	DRAWING NO 9810350-1	REV 4
CODE	SHEET	OF				

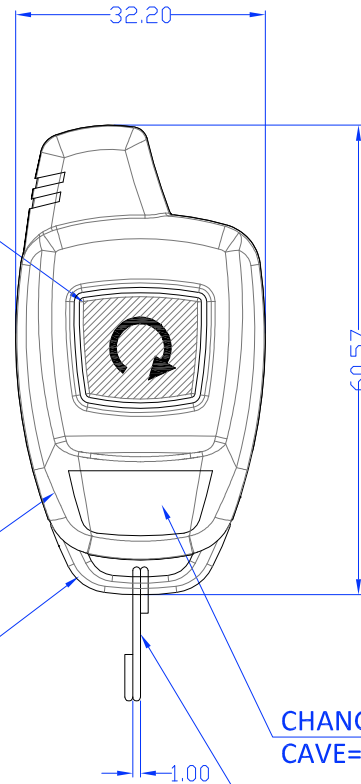
REVISIONS				
REV.	ACC.	DESCRIPTION	DRN.	DATE
△				

**Button color**

ICON : White

Body color : Transparent white

Button color : Black

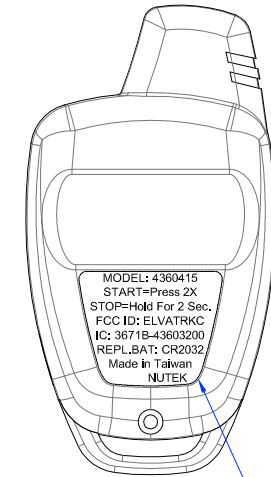
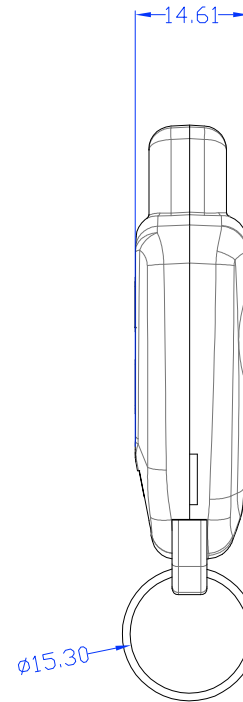


Case color : Black

Key Loop color : Chrome

CHANGE CORE  
CAVE=0.2 ; POLISH

KEY CHAIN  
Nickel-plated iron



CHANGE CORE(CAVE=0.2,MT-11010)  
ENGRAVING(RAISED=0.2)

PART	P/N	PART	P/N
CASE	IAAJ9002	(-) CLIP	MCD440A0
BUTTON	NKAJ9CB0	(+) CLIP (ON CASE)	MCAJ8000
KEY LOOP	MDAJ8S00	SCREW	MIF17006
KEY CHAIN	MA150000	BATTERY	CR2032 x1
TOP CASE LABEL	LBAJ70D0		

BODY MATERIAL : PC/ABS

1. Texture is same as MT-11020
2. Radius will be 0.2 if not specified.

\*Tolerance please refer specification of tolerance limits "C"  
INJECT TOLERANCE SPEC.

GRADE	A	B	C
UNDER 6	±0.08	±0.16	±0.30
6~30	±0.10	±0.20	±0.40
30~120	±0.20	±0.40	±0.80
120~300	±0.40	±0.80	±2.00

SCALE: 1:1	UNIT: M/M	DRN BY: Eric	DATE: 6/14-'12	NUTEK CORPORATION		
MATERIAL	CHK BY: YYS	DATE: 6/14-'12	TITLE: OE 1-BTN HHU Subaru Version			
FINISH	APPD BY: Victor	DATE: 6/14-'12	SIZE: A4	DEPT:	DRAWING NO: 9810350-2	REV: 0
CODE	SHEET	OF				

REVISIONS				
REV.	ACC.	DESCRIPTION	DRN.	DATE
△		MODIFY DESIGN	Eric	11/11-'10
△		change rubber paint color	Eric	6/14-'11
△	8/29-'11 Email	Add information	Eric	8/29-'11
△	1/19-'12 Email	MODIFY ICON	Eric	1/19-'12
△		Add engraving	Eric	2/24-'12
△		CHANGE SCREW	Eric	9/27-'12

△ 1st Button

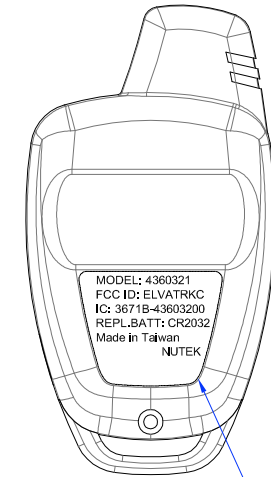
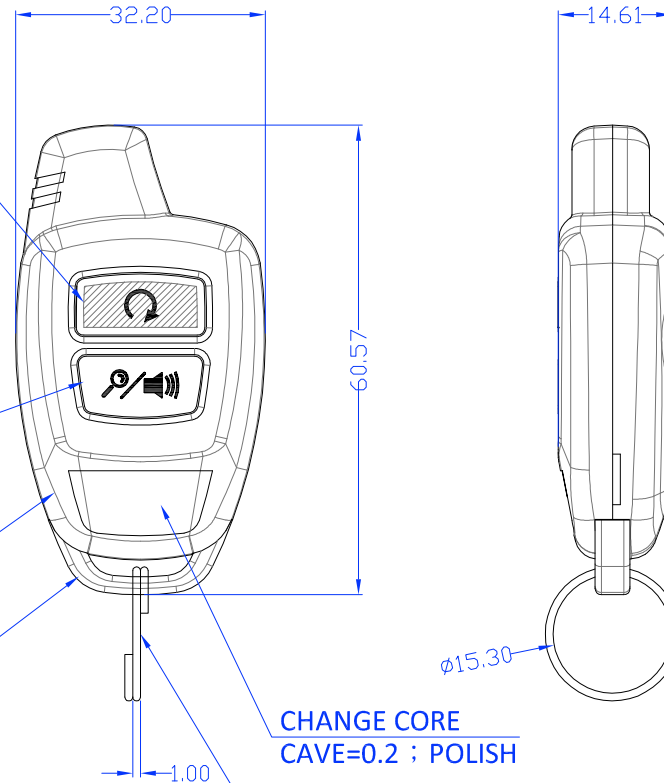
Rubber icon : White  
 Rubber color : Transparent white  
 Printing color : Black

△ 2nd Button

Rubber icon : White  
 Rubber color : Red

Case color : Black

Key Loop color : Chrome



CHANGE CORE(CAVE=0.2,MT-11010)  
 ENGRAVING(RAISED=0.2)

PART	P/N	PART	P/N
CASE	IAAJ8001	(-) CLIP	MCD440A0
BUTTON	NKAJ8CA0	(+) CLIP	MCAJ8000
KEY LOOP	MDAJ8S00	SCREW	MIF17006
KEY CHAIN	MA150000	BATTERY	CR2032 x1

BODY MATERIAL : PC/ABS

1. Texture is same as MT-11020
2. Radius will be 0.2 if not specified.

\*Tolerance please refer specification of tolerance limits "C"  
 INJECT TOLERANCE SPEC.

GRADE	A	B	C
UNDER 6	±0.08	±0.16	±0.30
6~30	±0.10	±0.20	±0.40
30~120	±0.20	±0.40	±0.80
120~300	±0.40	±0.80	±2.00

SCALE: 1:1	UNIT: M/M	DRN BY Eason	DATE 2009/12/2	NUTEK CORPORATION		
MATERIAL	CHK BY YYS	DATE 9/27-'12	TITLE OE 2-BTN HHU 4360321			
FINISH	APPD BY Victor	DATE 9/27-'12	SIZE A4	DEPT	DRAWING NO 9810350	REV 6
CODE	SHEET	OF				