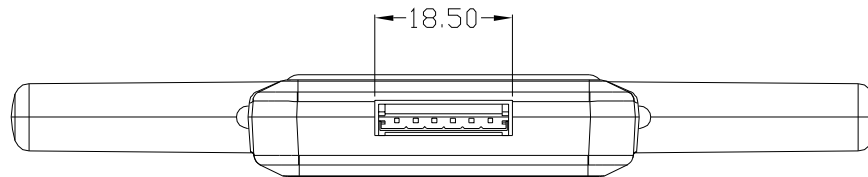
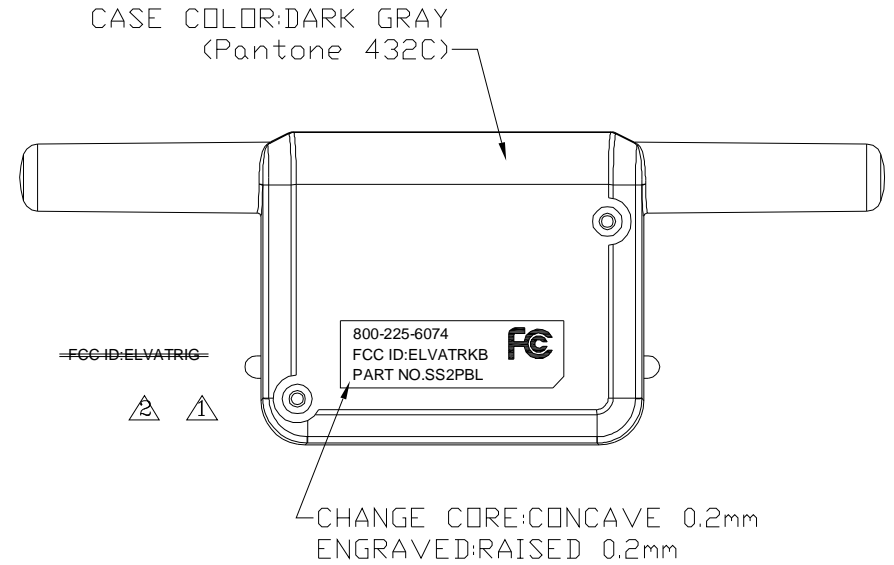
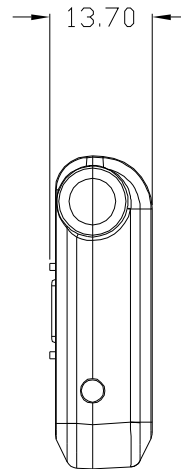
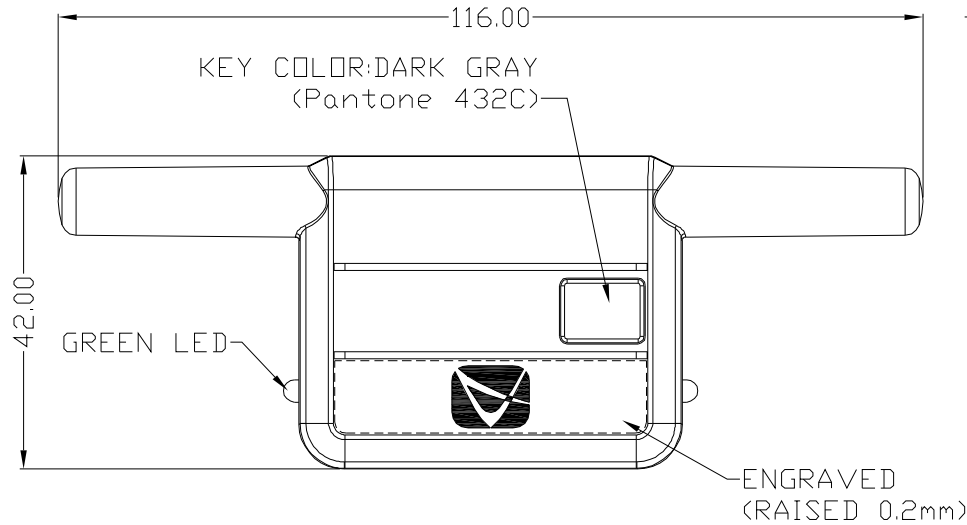
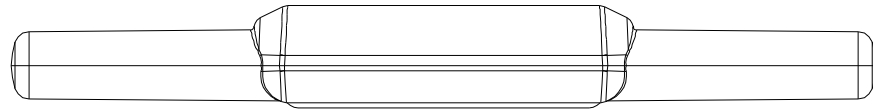


1.FREQUENCY:900MHz (SPREAD SPECTRUM)

| REVISIONS | | | | |
|-----------|-----------|--------------|------|----------|
| REV. | ACC. | DESCRIPTION | DRN. | DATE |
| 1 | 1/28MAAIL | ADD PART NO. | YYS | 1/28/'10 |
| 2 | | MODIFY FCC | YYS | 2/10/'11 |



CASE P/N:IAAGA8C5
KEY P/N:IKAGA800

BODY MATERIAL : HIGH HEAT ABS+UV

1. Texture is same as MT-10010
2. Radius will be 0.2 if not specified.
3. Body color : DARK GRAY(#432C)
4. Screw : MTF02008x2

*Tolerance please refer specification of tolerance limits "c"

| GRADE | INJECT TOLERANCE SPEC. | | |
|---------|------------------------|-------|-------|
| | A | B | C |
| UNDER 6 | ±0.08 | ±0.16 | ±0.30 |
| 6~30 | ±0.10 | ±0.20 | ±0.40 |
| 30~120 | ±0.20 | ±0.40 | ±0.80 |
| 120~300 | ±0.40 | ±0.80 | ±2.00 |

| | | | | | |
|---------------|--------------------------|------------------------|-------------------|-------------------|-------------------------|
| SCALE: 1:1 | UNIT: M/M | DRN BY Eason | DATE 2010/1/27 | NUTEK CORPORATION | |
| MATERIAL | CHK BY YYS | 2/10 | TITLE SS2PBL | | |
| FINISH | APPD BY Victor | 2/10 | SIZE A4 | DEPT | DRAWING NO 9610210-3 |
| CODE | SHEET | OF | | | REV 2 |