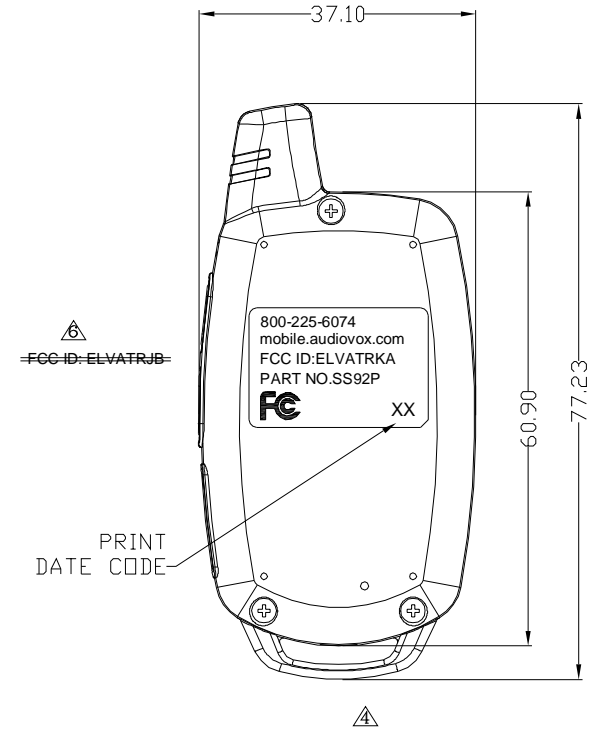
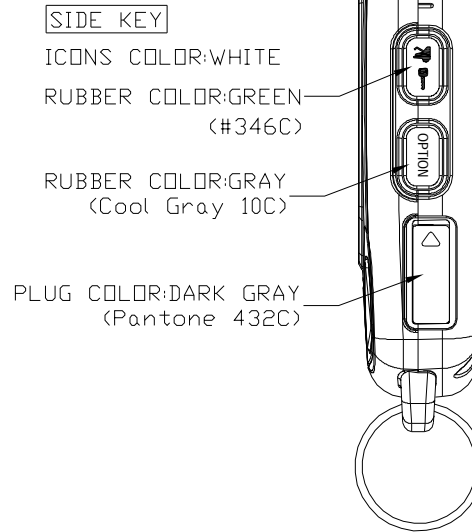
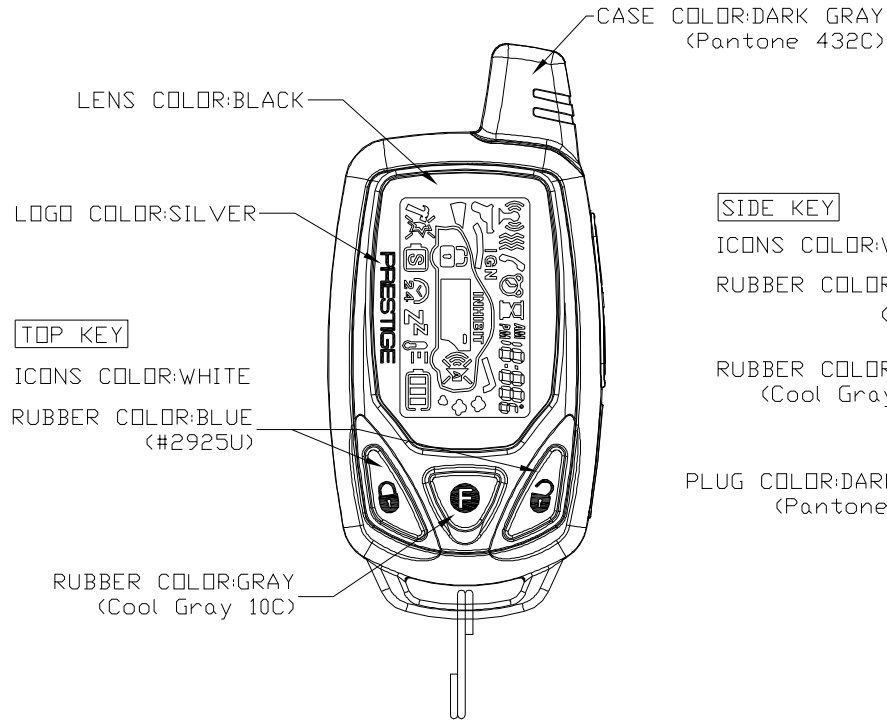
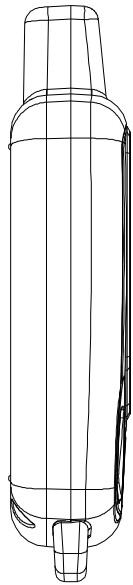
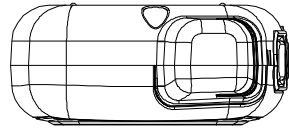


REVISIONS				
REV.	ACC.	DESCRIPTION	DRN.	DATE
△		MODIFY REV.	Eason	1/28/10
△		MODIFY P/N	Eason	8/20/10
△		MODIFY SCREW P/N	Eason	9/1/10
△		ADD RESET HOLE	Eason	11/1/10
△		MODIFY SCREW P/N	Eason	12/29/10
△		MODIFY FCC	Eason	2/10/11



PART	P/N	PART	P/N
CASE	IAAK0802	SCREW	MIF17006*3
METAL SHELL	MDAK0S00	KEY CHAIN	MA150000
LENS	IRAB0C00	BUBBLE BAG	NDAB00A0
USB PLUG	NAAH58A0	PORON	NTAB0003*2
TOP KEY	NKAK06A0	BATTERY	20*25*4
SIDE KEY	NKAK15A0		

BODY MATERIAL : ABS+PC

1. Texture is same as MT-11010
2. Radii will be 0.2 if not specified.

*Tolerance please refer specification of tolerance limits "C"
MILIT TOLERANCE SPEC.

GRADE	A	B	C
DIMENSION	±	±	±
UNDER 6	0.08	0.18	0.30
6-30	0.10	0.20	0.40
30-120	0.20	0.40	0.80
120-300	0.40	0.80	2.00

SCALE: 1:1	UNIT: M/M	DRN BY Eason	DATE 2010/1/27	NUTEK CORPORATION	
MATERIAL	CHK BY YYS	2/10	TITLE AXC SS92P		
FINISH	APPD BY Victor	2/10	SIZE A4	DEPT	DRAWING NO 9910010
CODE	SHEET	OF			REV 6