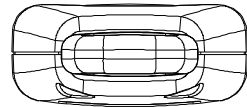
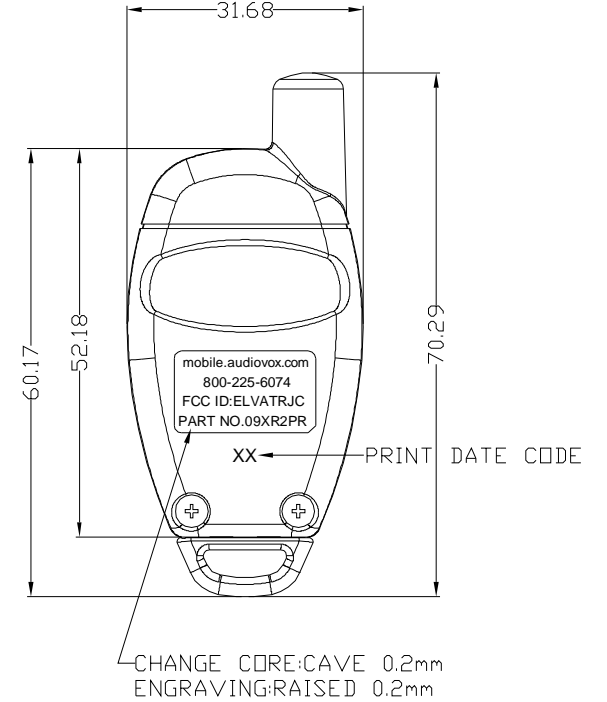
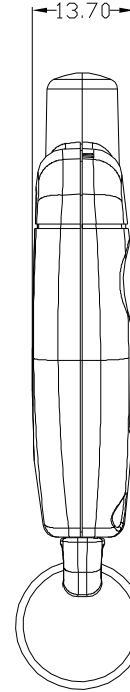
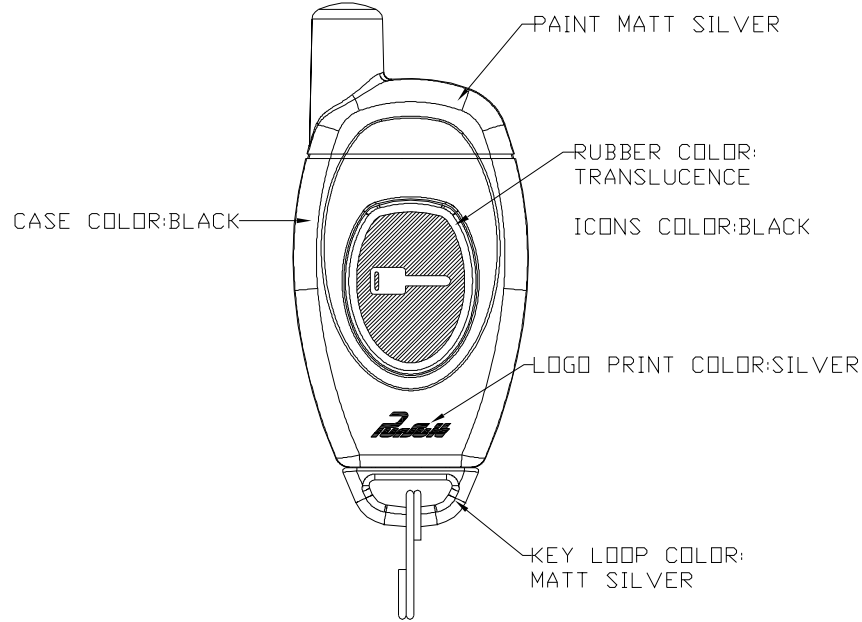
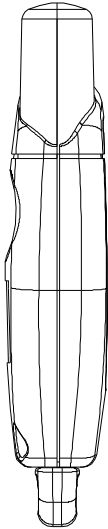
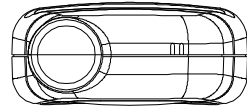


REVISIONS				
REV.	ACC.	DESCRIPTION	DRN.	DATE
△		ADD ENGRAVING	Eason	5/6/'10
△		MODIFY SCREW P/N	Eason	5/26/'10



PART	P/N	PART	P/N
CASE	IAAK20A1	BATTERY	CR2032*2
RUBBER KEY	NKAK2CA0	SCREW	MIF17N06*2
KEY LOOP	MDXH0000		
KEY CHAIN	MA150000		

BODY MATERIAL : ABS+PC

1. Texture is same as MT-11010
2. Radiious will be 0.2 if not specified.

*Tolerance please refer specification of tolerance limits "c"

DIMENSION	INJECT TOLERANCE SPEC.		
	A	B	C
UNDER 6	± 0.08	± 0.16	± 0.30
6~30	± 0.10	± 0.20	± 0.40
30~120	± 0.20	± 0.40	± 0.80
120~300	± 0.40	± 0.80	± 2.00

SCALE: 1:1	UNIT: M/M	DRN BY Eason	DATE 2010/5/5	NUTEK CORPORATION		
MATERIAL	CHK BY YYS	5/26		TITLE 09XR2PR		
FINISH	APPD BY Victor	5/26		SIZE A4	DEPT	DRAWING NO 9910140
CODE	SHEET	OF				REV 2