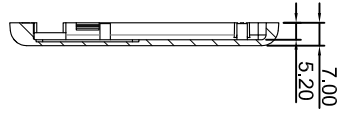
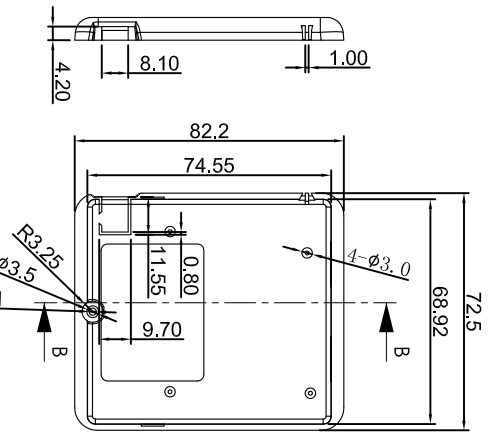
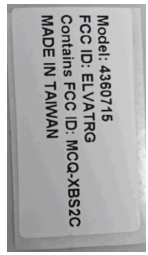
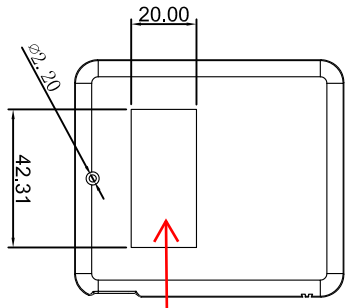


REV.	TDL	DESCRIPTION	DATE	ECO	ORIGINATOR	APPROVAL
4.0	1110	INITIAL RELEASE	11/02/17	17-000076	DICKLINE	J.SANJAYAK

REVISIONS



剖面圖 C-C
比例 1 : 1.5



TOLERANCES UNLESS OTHERWISE SPECIFIED: DIMENSIONS IN MILLIMETERS		FINISH BLACK ABS GRANED	
LIBRARY PROJECTION UNLESS OTHERWISE SPECIFIED: DIMENSIONS IN MILLIMETERS		SCALE 3:2	
UNLESS OTHERWISE SPECIFIED: DIMENSIONS IN MILLIMETERS		DATE 108.07.21	
APPROVAL SIGNATURE (Signature)	DATE 108.07.21	NAME JAGUAR	DATE 108.07.21
DRW 陈文强	DATE 96/11/23	NAME JAGUAR	DATE 108.07.21
CHK E WU	DATE 108.07.21	NAME JAGUAR	DATE 108.07.21
DESCRIPTION: BOTTOM CASE, ACM KEYPAD		SCALE 3:2	
PART #: H101-054-490		DATE C	
REV 4.0		SHEET #: SHEET 1 OF 1	

VOXX
Hirschmann
Corporation

H101-054-490

BOTTOM CASE, ACM KEYPAD

REV 4.0

A B C D

3

2

1