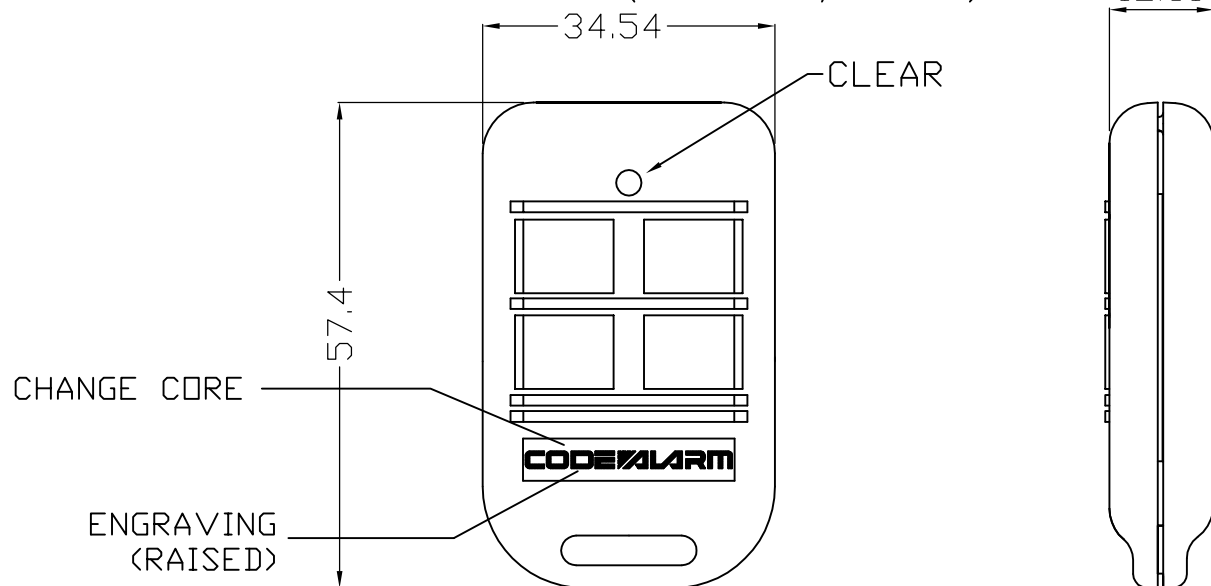
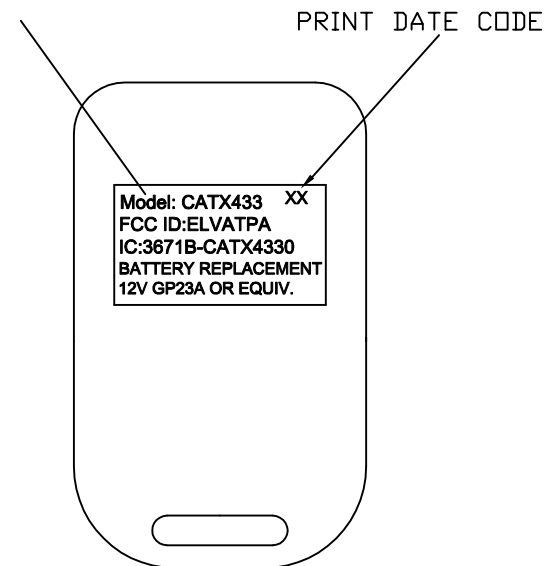


REVISIONS			
NO	DESCRIPTION	DRN.	DATE
△1			
△2			
△3			
△4			

BUTTON COLOR:BLACK(NO COTTING/NO PRINT)



ENGRAVING<RAISED 0.2>
CHANGE CORE<CONCAVE 0.25,FLASH>



BODY MATERIAL : ABS V600 GP TRI-STATE POLYMERS

1. Texture is same as MT-11070
2. Tolerance of dimension is in accordance with Class C (N51D109A-B)
3. Radius will be 0.2 if not specified.
4. Body color : BLACK
5. Battery : BT23A000
6. Battery clip :MCAT2C01
7. Key chain :MA21C000
8. Screw : -----
9. Coating : -----

*Tolerance please refer specification of tolerance limits 'c'
INJECT TOLERANCE SPEC.

GRADE	A	B	C
UNDER 6	0.08	0.16	0.30
6~30	0.10	0.20	0.40
30~120	0.20	0.40	0.80
120~300	0.40	0.80	2.00

TX P/N:IAAC60A7
RUBBER P/N: NKAC6001

MODEL		PART NUMBER		DESCRIPTION	
SCALE: 1:1	UNIT: M/M	DRN BY Felix	DATE 3/3/15	NUTEK CORPORATION	
MATERIAL		CHK BY YYS		TITLE CATX433	
FINISH		APPD BY Victor		SIZE A4	DRAWING NO 9210310-11
CODE	SHEET	OF		REV 0	