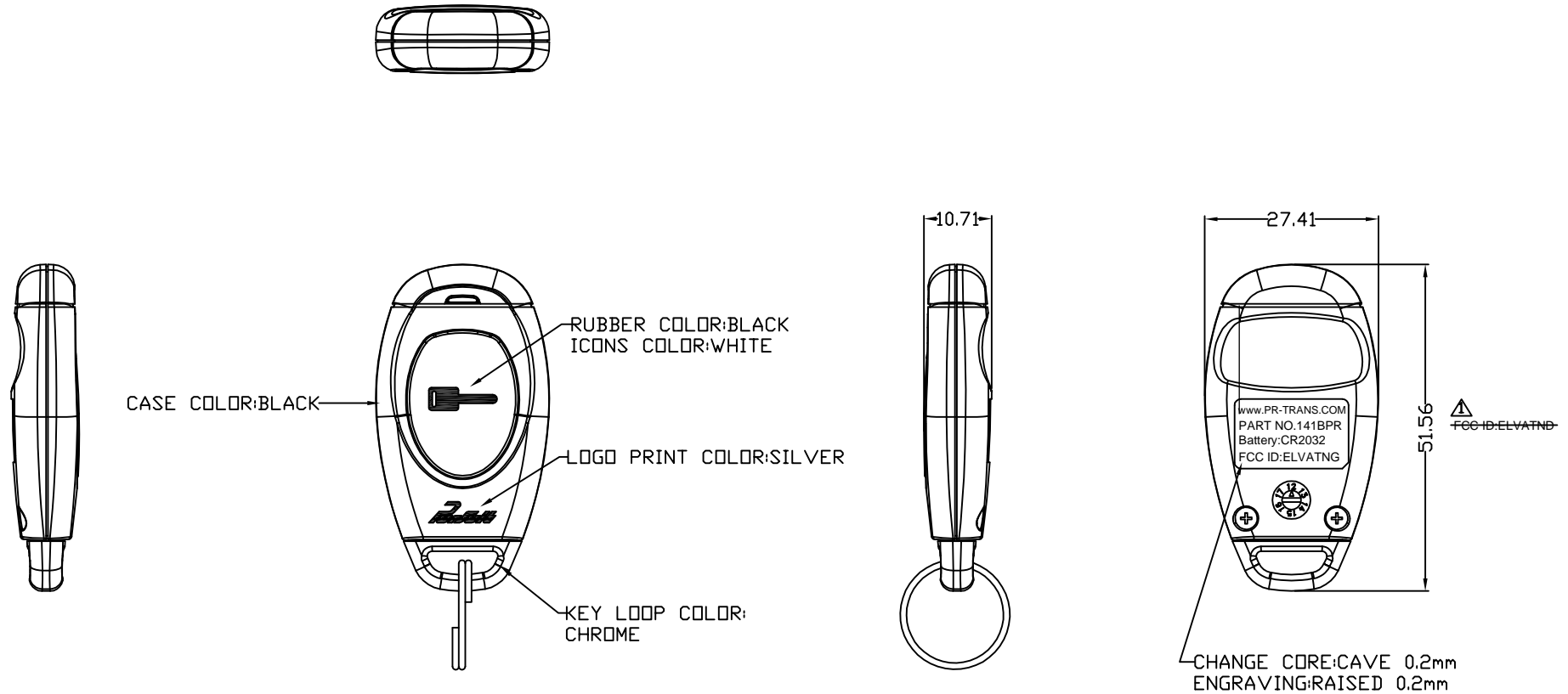


REVISIONS				
REV.	ACC.	DESCRIPTION	DRN.	DATE
△		MODIFY ENGRAVE	FELIX	6/26/14
△		MODIFY P/N	FELIX	7/2/14



IAXH20AF △

PART	P/N	PART	P/N
CASE	IAXH2ZAH	BATTERY	CR2032
RUBBER KEY	NKXH20A0	SCREW	MIF17N06*2
KEY LOOP	MDXHOS00		
KEY CHAIN	MA150000		

BODY MATERIAL : ABS+PC

1. Texture is same as MT-11010
2. Radius will be 0.2 if not specified.

\*Tolerance please refer specification of tolerance limits "c" SUBJECT TOLERANCE SPEC.

GRADE	A	B	C
UNDER 6	±0.08	±0.16	±0.30
6~30	±0.10	±0.20	±0.40
30~120	±0.20	±0.40	±0.80
120~300	±0.40	±0.80	±2.00

SCALE: 1:1	UNIT: M/M	DRN BY Eric	DATE 3/4-'14	NUTEK CORPORATION			
MATERIAL		CHK BY YYS		TITLE 141BPR			
FINISH		APPD BY Victor		SIZE A4	DEPT	DRAWING NO 9810130-2	REV 2
CODE	SHEET	OF					