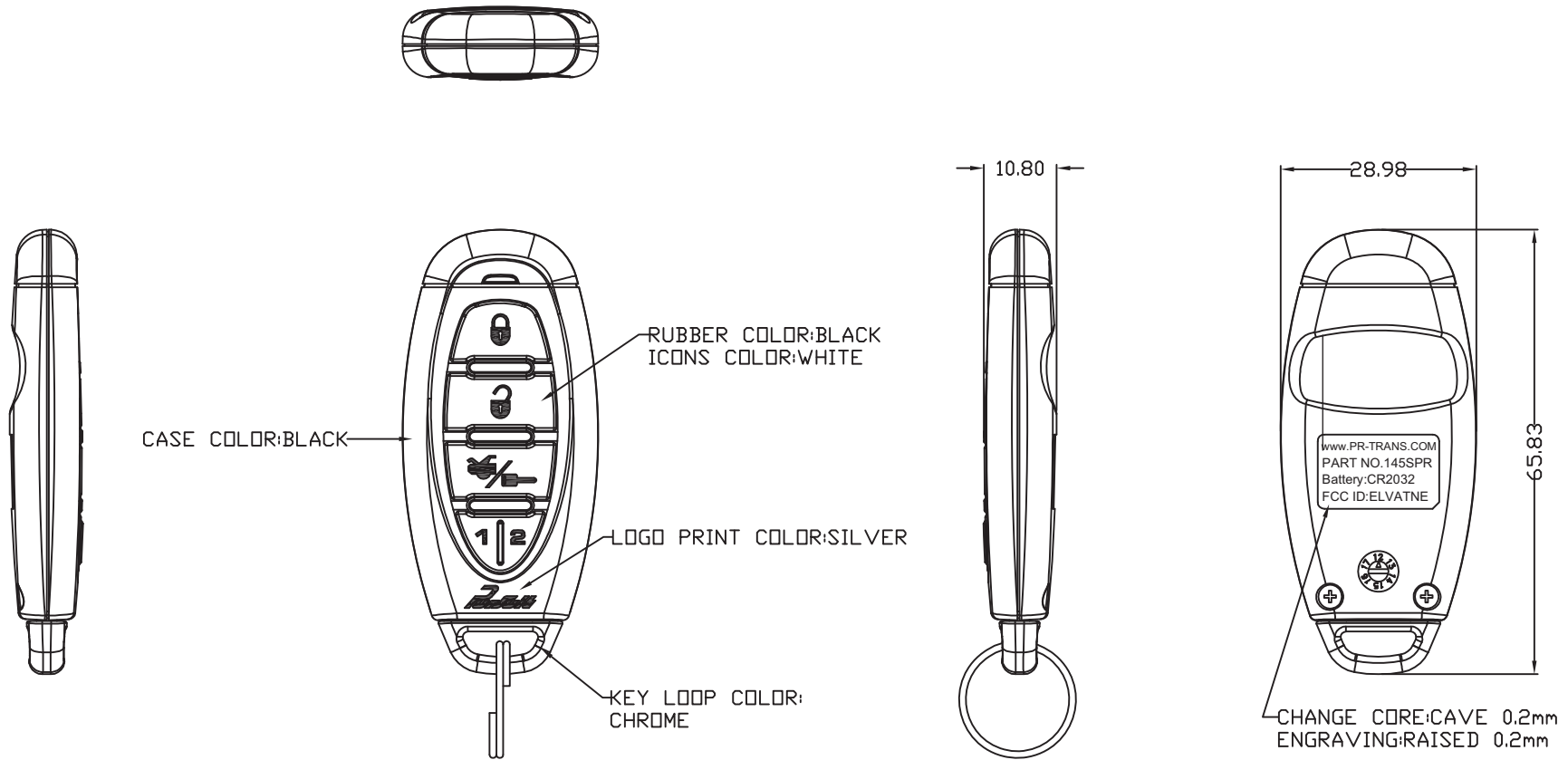


REVISIONS				
REV.	ACC.	DESCRIPTION	DRN.	DATE
△				



PART	P/N	PART	P/N
CASE	IAXH00AE	BATTERY	CR2032
RUBBER KEY	NKXH00A0	SCREW	MIF17N06*2
KEY LOOP	MDXHOS00		
KEY CHAIN	MA150000		

BODY MATERIAL : ABS+PC

1. Texture is same as MT-11010
2. Radius will be 0.2 if not specified.

*Tolerance please refer specification of tolerance limits "C" SUBJECT TOLERANCE SPEC.

GRADE	A	B	C
UNDER 6	± 0.08	± 0.18	± 0.30
6~30	± 0.10	± 0.20	± 0.40
30~120	± 0.20	± 0.40	± 0.80
120~300	± 0.40	± 0.80	± 2.00

SCALE: 1:1	UNIT: M/M	DRN BY Eric	DATE 3/4-'14	NUTEK CORPORATION		
MATERIAL	CHK BY YYS	DATE 3/4-'14	TITLE 145SPR			
FINISH	APPD BY Victor	DATE 3/4-'14	SIZE A4	DEPT	DRAWING NO 98IO110-2	REV 0
CODE	SHEET	OF				