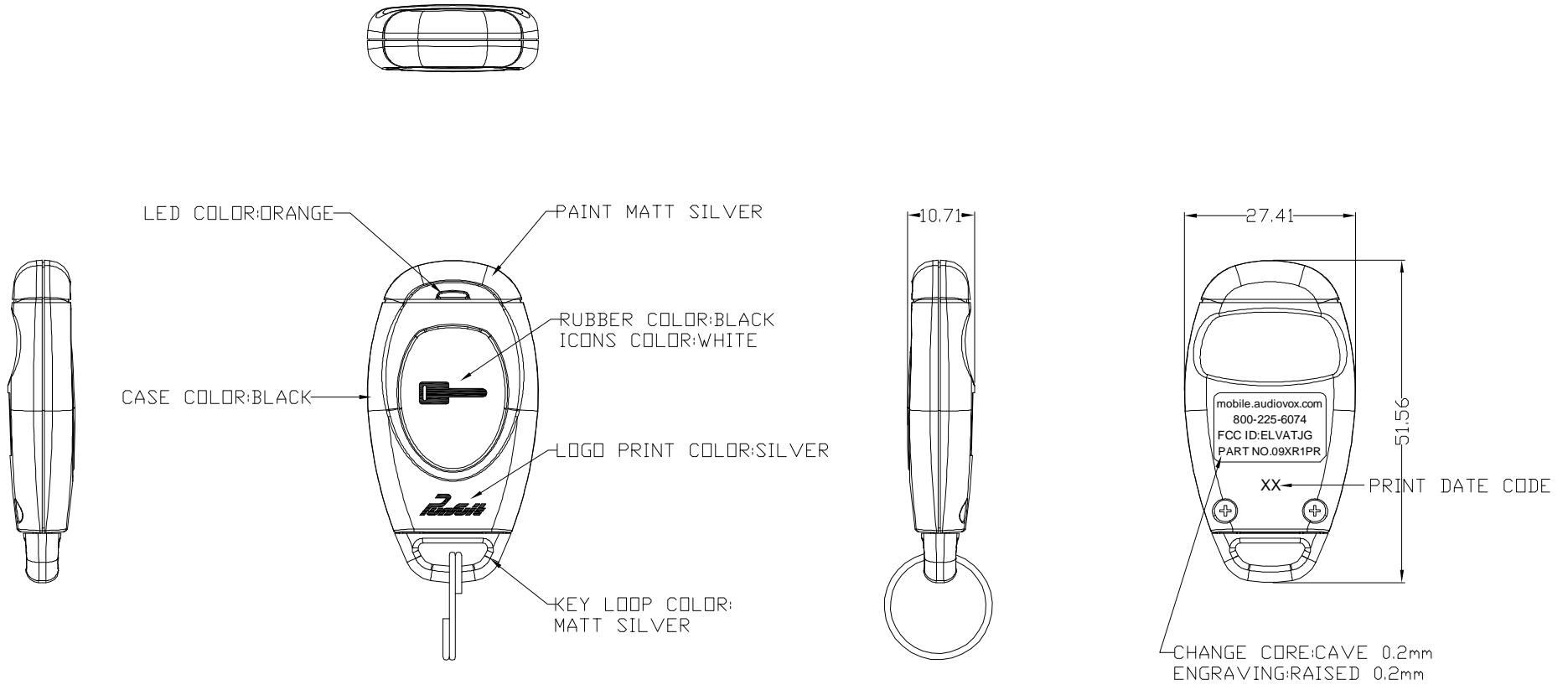


REVISIONS				
REV.	ACC.	DESCRIPTION	DRN.	DATE
△				
△				



PART	P/N	PART	P/N
CASE	IAXH20A2	BATTERY	CR2032
RUBBER KEY	NKXH20A0	SCREW	MIF17N06*2
KEY LOOP	MDXH0000		
KEY CHAIN	MA150000		

BODY MATERIAL : ABS+PC

1. Texture is same as MT-11010
2. Radius will be 0.2 if not specified.

*Tolerance please refer specification of tolerance limits "C"

DIMENSION	INJECT TOLERANCE SPEC.		
	A	B	C
UNDER 6	± 0.08	± 0.16	± 0.30
6~30	± 0.10	± 0.20	± 0.40
30~120	± 0.20	± 0.40	± 0.80
120~300	± 0.40	± 0.80	± 2.00

SCALE: 1:1	UNIT: M/M	DRN BY Eason	DATE 2010/4/26	NUTEK CORPORATION		
MATERIAL	CHK BY YYS	4/26		TITLE 09XR1PR		
FINISH	APPD BY Victor	4/26		SIZE A4	DEPT	DRAWING NO 9810130-1
CODE	SHEET	OF				REV 0