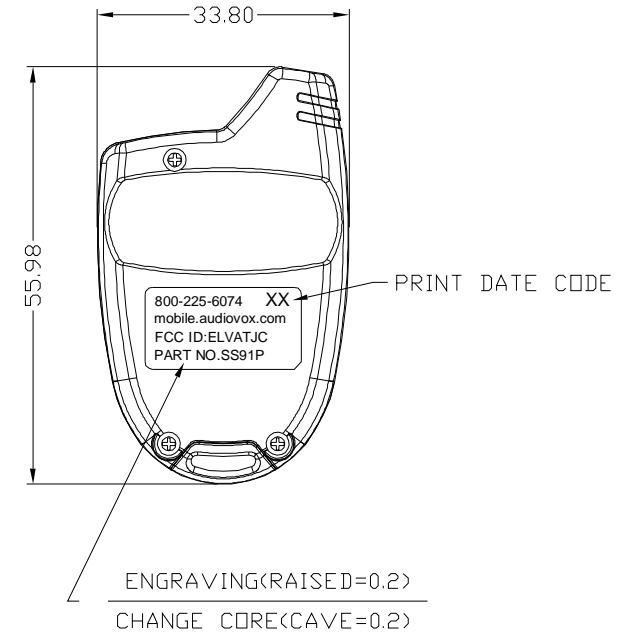
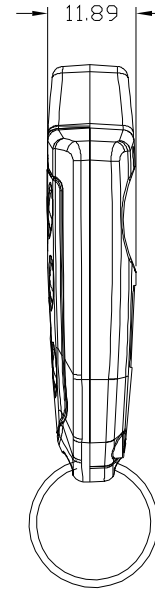
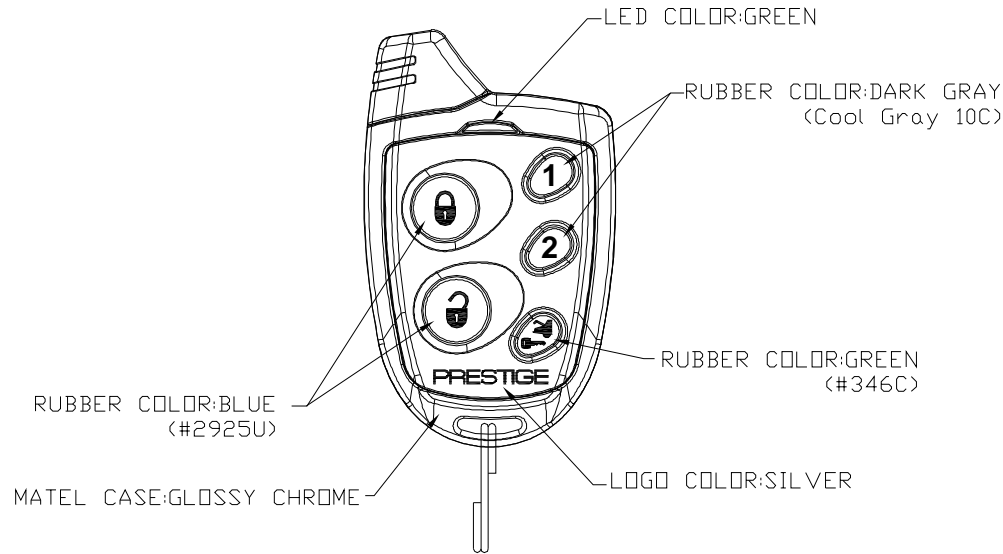
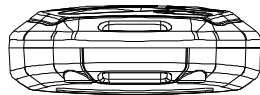


| REVISIONS | | | | |
|-----------|------|-------------------|--------|---------|
| REV. | ACC. | DESCRIPTION | DRN. | DATE |
| △ | | MODIFY RUBBER P/N | Eason | 3/11/10 |
| △ | | MODIFY MATERIAL | VICTOR | 3/12/10 |

ALL ICON COLOR:WHITE



CASE COLOR:DARK GRAY (Pantone 432C)



~~NKAJ38A0~~ △

BODY MATERIAL:ABS+PC △

BODY MATERIAL:ABS
 1. Texture is same as MT-11010
 2. Radiious will be 0.2 if not specified.

*Tolerance please refer specification of tolerance limits "c"

| DIMENSION | INJECT TOLERANCE SPEC. | | |
|-----------|------------------------|------|------|
| | A | B | C |
| UNDER 6 | 0.08 | 0.16 | 0.30 |
| 6~30 | 0.10 | 0.20 | 0.40 |
| 30~120 | 0.20 | 0.40 | 0.80 |
| 120~300 | 0.40 | 0.80 | 2.00 |

| PART | P/N | PART | P/N |
|-------------|------------|------------|----------|
| CASE | IAAJ38A2 | RUBBER KEY | NKAJ36A0 |
| KEY LOOP | MDAJ3000 | BAT CILP | MCD0000G |
| KEY CHAIN | MA150000 | | |
| MECH. SCREW | MIF17005*3 | BATTERY | CR2032 |

| | | | | | | | |
|------------|------------|----------------|-----------------|-------------------|----------------------|-------|--|
| SCALE: 1:1 | UNIT: M/M | DRN BY Eason | DATE 2010/01/27 | NUTEK CORPORATION | | | |
| MATERIAL | CHK BY YYS | APPD BY VICTOR | | TITLE AXC SS91P | | | |
| FINISH | SHEET | OF | SIZE A4 | DEPT | DRAWING NO 9810290-1 | REV 2 | |

