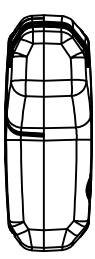
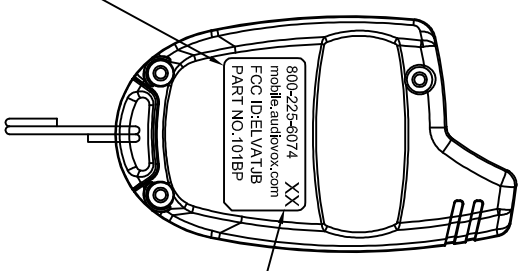
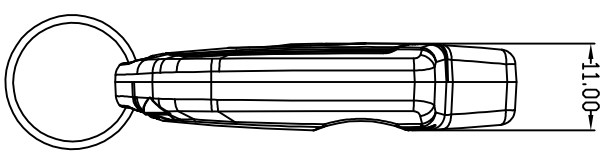
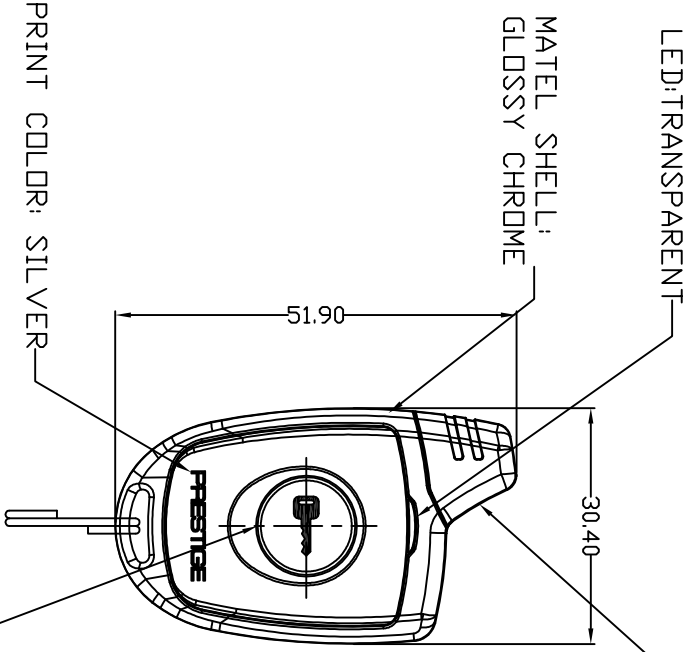


REVISIONS			
REV	ACC	DESCRIPTION	DRN. DATE
A			



TOP/BOTTOM HOUSING  
COLOR: NATURE BLACK



CHANGE CORE: CAVE=0.2mm (flash)  
ENGRAVED: RAISED=0.2mm

PRINT DATE CODE

PART	P/N
CASE	IAAJ20A1
METAL SHELL	MDAJ2S00
RUBBER	NKAJ26A0
SCREW	MIF17NA5*3
KEYCHAIN	MAI50000

- BODY MATERIAL: ABS
1. Texture is same as MT-11010
  2. Radius will be 0.2 if not specified.

Reference please refer specification of tolerance in the next table.

Dimension	A	B	C
UNDER 6	0.08	0.18	0.30
6-30	0.10	0.20	0.40
30-120	0.20	0.40	0.80
120-300	0.40	0.80	2.00

SCALE: 1:1	UNIT: M/M	DRN BY: JAMES	DATE: 11/20/09	TITLE: NUTTEK CORPORATION
MATERIAL		CHK BY: YYS	11/20/09	AXC 101BP TX
FINISH		APPD BY: VICTOR	11/20/09	
CODE		SHEET: 08		SIZE: A4
				DEPT: DRAWING NO: 9810310
				REV: 0

P/N:IAAJ20A1