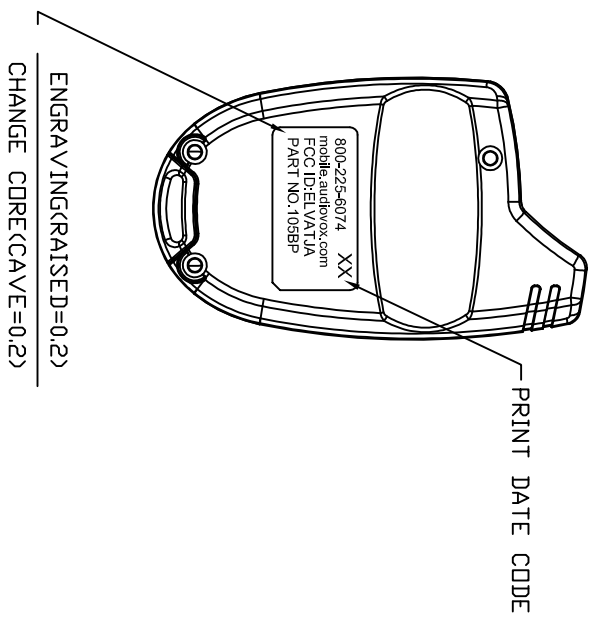
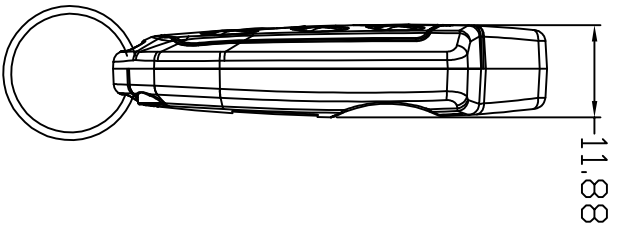
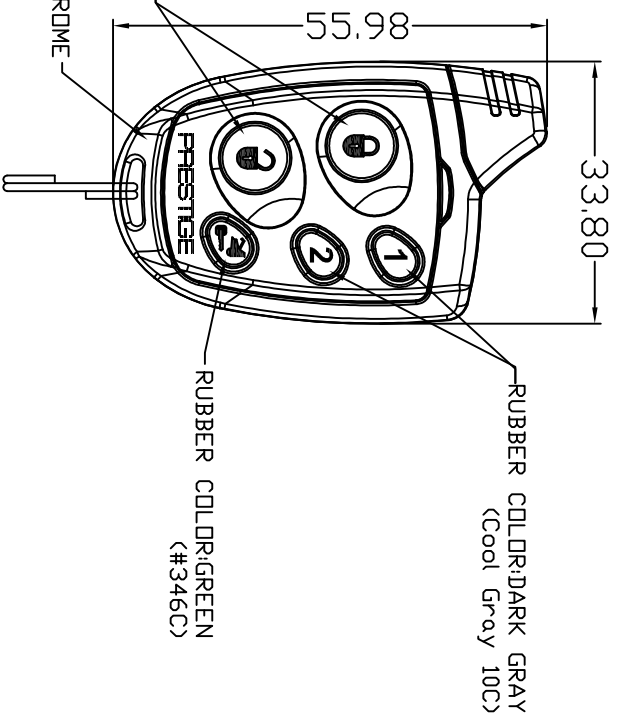
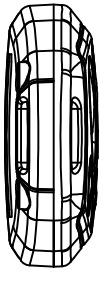


REVISIONS			
REV	ACC.	DESCRIPTION	DRN. DATE
1			

ALL ICON COLOR:WHITE



PRINT COLOR: SILVER
CASE COLOR:BLACK



BODY MATERIAL: ABS+PC
1. Texture is same as MT-11010
2. Raddious will be 0.2 if not specified.

Reference please refer specification of tolerance and material tolerance etc.

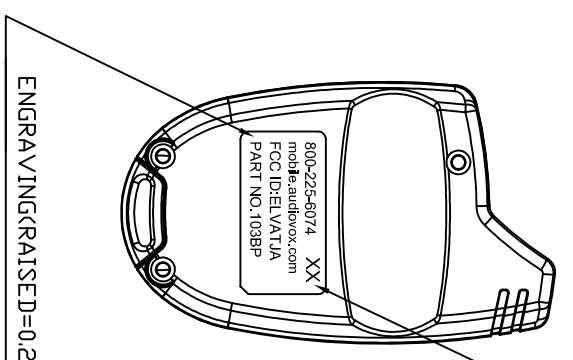
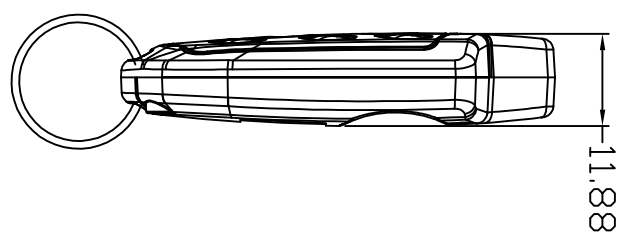
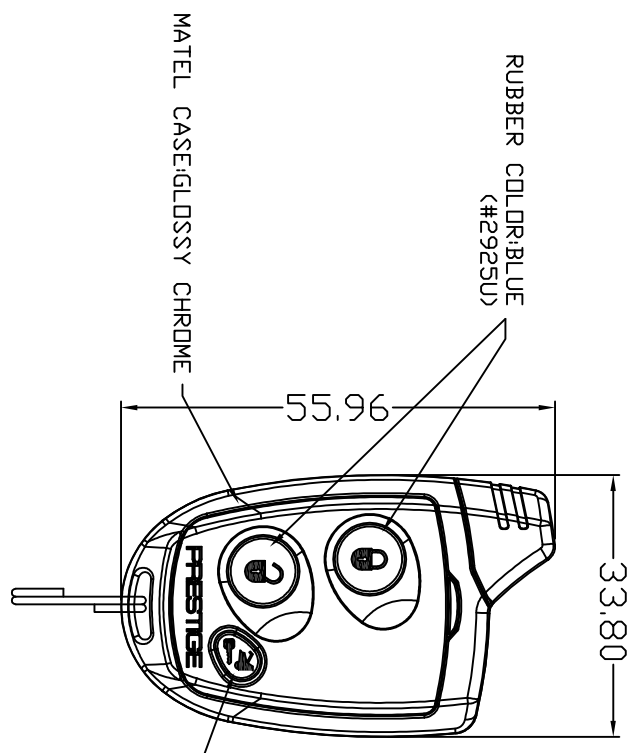
Dimension	A	B	C
UNDER 6	0.08	0.16	0.30
6-30	0.10	0.20	0.40
30-120	0.20	0.40	0.80
120-300	0.40	0.80	2.00

PART	P/N	PART	P/N
CASE	IAAJ30A1	RUBBER KEY	NKAJ38A0
KEY LOOP	MDAJ3000	BAT CILP	***
KEY CHAIN	MA150000		
MECH. SCREW	MIF17NA5*3	BATTERY	***

SCALE: 1:1	UNITS: M/M	DRN BY: FELIX	DATE: 2009/11/20	TITLE: NUTTEK CORPORATION
MATERIAL	CHK BY: VICTOR	APPD BY: VICTOR		
FINISH	APPD BY: VICTOR			TITLE: AXC 105BP TX
CODE	SHEET: 04	OR		SIZE: A4
				DEPT: DRAWING NO: 9810290
				REV: 0

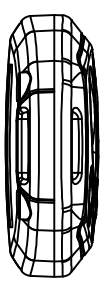
REVISIONS			
REV.	ACC.	DESCRIPTION	DRN. DATE
1	Δ	modify P/N	VICTOR 3/11/10
2	Δ	MODIFY MATERIAL	VICTOR 3/12/10

ALL ICON COLOR:WHITE



PRINT COLOR:SILVER
CASE COLOR:BLACK

ENGRAVING(RAISED=0.2)
CHANGE CORE(CAVE=0.2)



~~NKAJ46A0~~ Δ

BODY MATERIAL:ABS+PC Δ
BODY MATERIAL: ABS
1. Texture is same as MT-11010
2. Radius will be 0.2 if not specified.

Reference please refer specification of tolerance

UNIT	A	B	C
UNDER 6	0.08	0.16	0.30
6-30	0.10	0.20	0.40
30-120	0.20	0.40	0.80
120-300	0.40	0.80	2.00

PART	P/N	PART	P/N
CASE	IAAJ40A1	RUBBER KEY	NKAJ46A0
KEY LOOP	MDAJ3000	BAT CLIP	***
KEY CHAIN	MA150000		
MECH. SCREW	MIF17005*3	BATTERY	***

SCALE: 1:1	UNIT: M/M	DRN BY: FELIX	DATE: 2009/11/20	TITLE: NUTTEK CORPORATION
MATERIAL	CHK BY: VICTOR	APPD BY: VICTOR		
FINISH	APPD BY: VICTOR			SIZE: A4
CODE	SHEET: 0P			DEPT: DRAWING NO: 9810300
				REV: 2

AXC 103BP TX