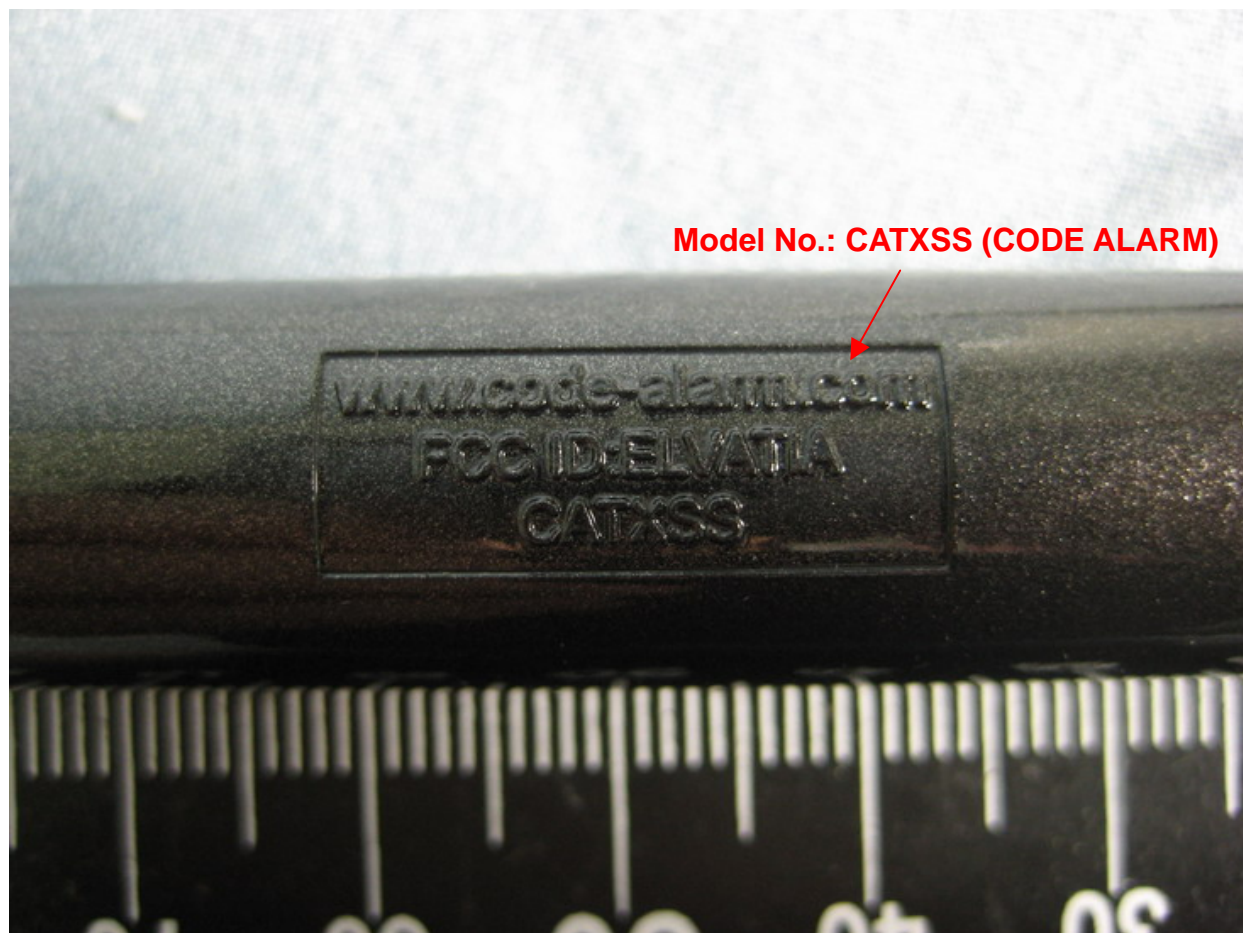
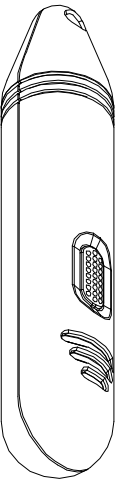
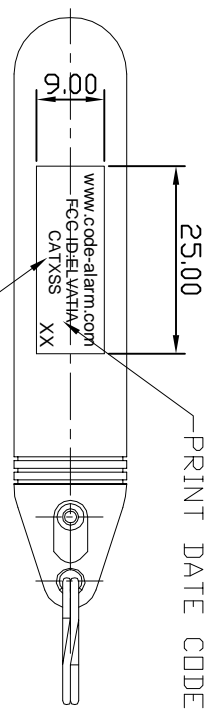
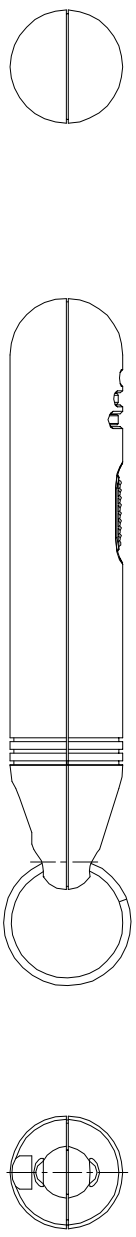
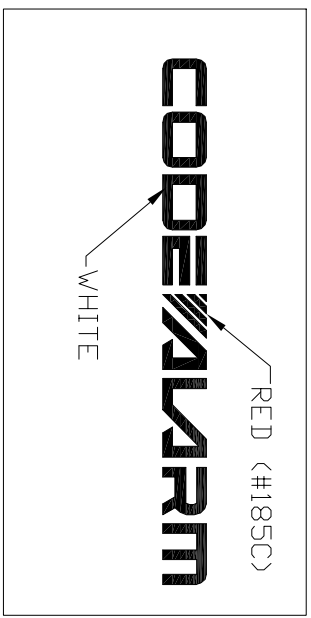
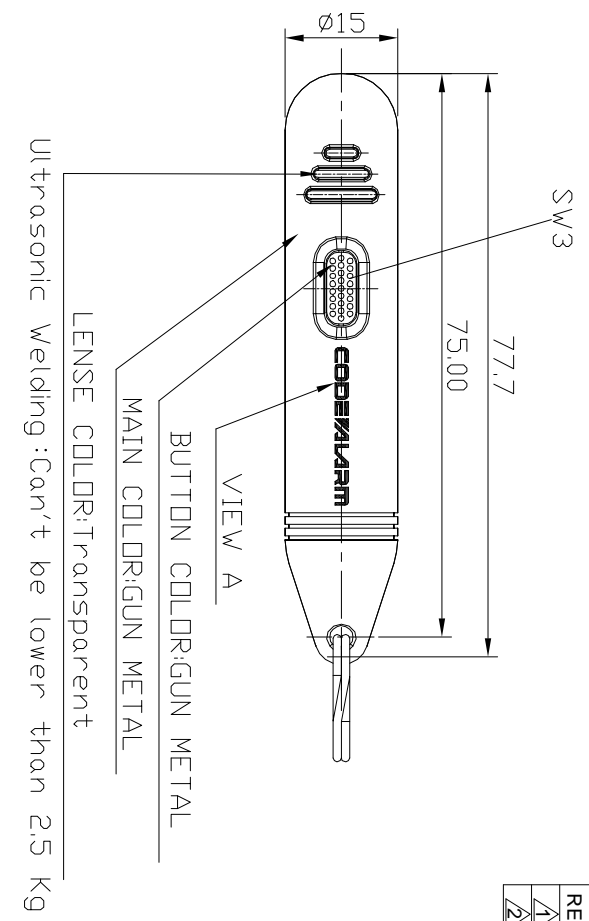


FCC ID: ELVATIA Label & Label Location



REVISIONS			
REV.	DESCRIPTION	DRN.	DATE
1	MODIFY ENGRAVING	SRZ	5/19/09
2	MODIFY ENGRAVING	VICTOR	5/27/09



- NOTE :
1. CODE FORMAT : NUTEK
 2. Frequency : 433.92 MHz

- BODY MATERIAL : ABS
1. Texture is same as FLASH
 2. Radius will be if not specified
 3. Body color : GUN METAL
 4. Battery : GP27A*1
 5. Battery clip : MCAF0GA0 · MEAF00A0
 6. Key chain : MA150000
 7. Screw : MTF02008

*Tolerance please refer specification of tolerance limits "B" INJECT TOLERANCE SPEC.

DIMENSION	GRADE	A	B	C
UNDER 6		± 0.08	± 0.16	± 0.30
6-30		± 0.10	± 0.20	± 0.40
30-120		± 0.20	± 0.40	± 0.80
120-300		± 0.40	± 0.80	± 2.00

CASE: IAAJ0GA1
 CASE: IAAJ0GA3
 PLASTIC KEY: IKAFA4G00
 LENSE: IRAFA4C00

SCALE: 1:1	UNIT: m/m	DRN BY: SRZ	DATE: 2/24/09	TITLE: NUTEK CORPORATION
MATERIAL		CHK BY: YYS		CODE ALARM
FINISH		APP'D BY: VICTOR		PEN TX(GP27A)
CODE		SHEET: OF	SIZE: A4	DEPT: DRAWING NO: 9510160-1
				REV: 2

