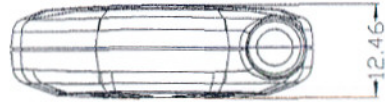


REVISIONS				
REV.	ACC.	DESCRIPTION	DRN.	DATE
△	5/4 mail	MODIFY ICON	YYS	5/4/07
△	5/7 mail	MODIFY ICON	YYS	5/7/07



RUBBER COLOR:DARK GRAY
(Cool Gray 10C)

ALL ICON COLOR:WHITE

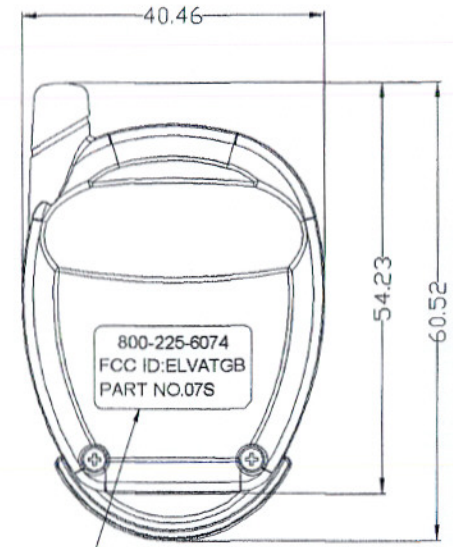
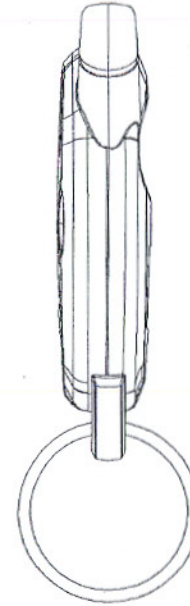
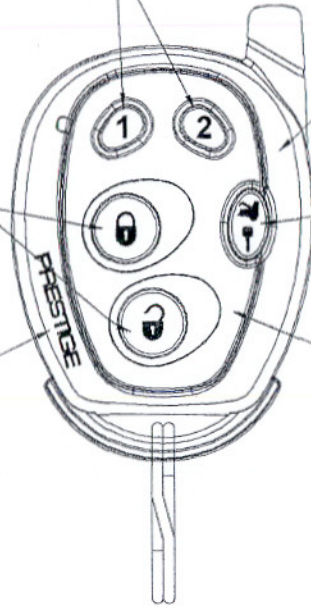
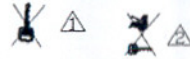
RUBBER COLOR:BLUE
(#2925U)

PRINT COLOR:SILVER

CASE COLOR:BLACK

RUBBER COLOR:GREEN
(#346C)

FACE PLATE COLOR:
SHINNY BLACK



CHANGE CORE:CAVE 0.2mm
ENGRAVING:RAISED 0.2mm

BODY MATERIAL: ABS+PC

1. Texture is same as MT-11010
2. Radius will be 0.2 if not specified.

*Tolerance please refer specification of tolerance lists 'c'

GRADE	INJECT TOLERANCE SPEC.		
	A	B	C
UNDER 6	0.08	0.15	0.30
6-30	0.10	0.20	0.40
30-120	0.20	0.40	0.80
120-300	0.40	0.80	2.00

PART	P/N	PART	P/N
CASE	IAAF80A4	RUBBER KEY	NKAF86E0
FACE PLATE	IHAF8B02		
KEY LOOP	MDAF1000	BAT CILP	MCD0000G
KEY CHAIN	MA21C000		
MECH. SCREW	MIF17N07*2	BATTERY	CR2032

SCALE: 1:1	UNIT: M/M	DRN BY Eason	DATE 2007/5/3	NUTEK CORPORATION	
MATERIAL	CHK BY YYS 物益松	5/7	TITLE 07SP		
FINISH	APPD BY YGF 物益松	5/7	SIZE A4	DEPT 0510420 5	REV 2