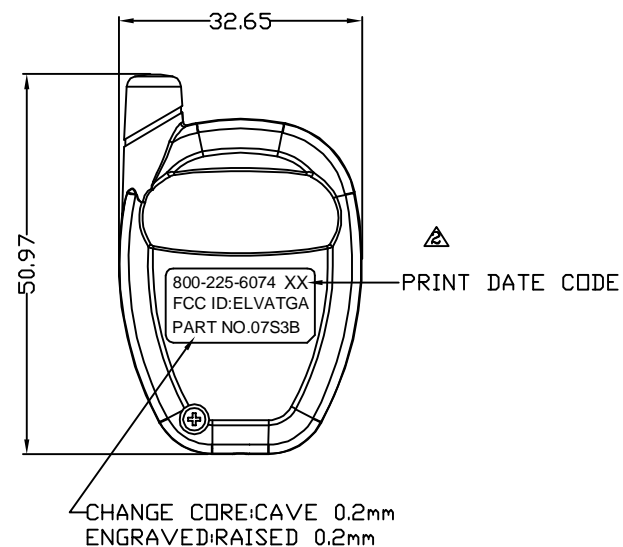
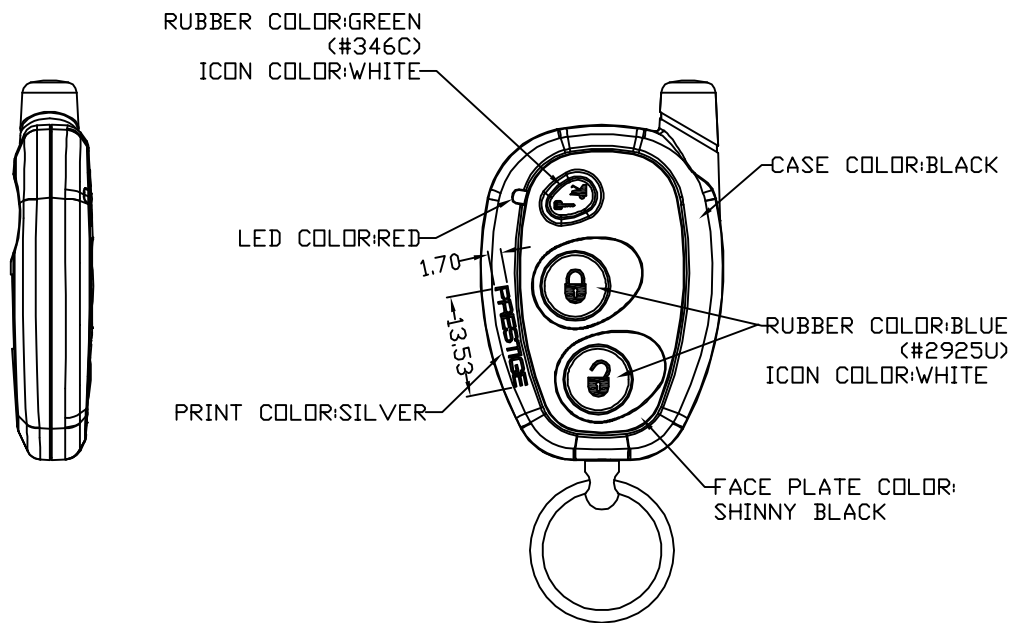


REVISIONS				
REV.	ACC.	DESCRIPTION	DRN.	DATE
△		MODIFY MATERIAL	YYS	6/13/'07
△		MOVE ENGRAVING	YYS	6/26/'07



BODY MATERIAL: ABS △

1. Texture is same as MT-11010
2. Radiious will be 0.2 if not specified.

\*Tolerance please refer specification of tolerance units "c"  
SELECT TOLERANCE SPEC.

GRADE	A	B	C
UNDER 6	± 0.08	± 0.16	± 0.30
6~30	± 0.10	± 0.20	± 0.40
30~120	± 0.20	± 0.40	± 0.80
120~300	± 0.40	± 0.80	± 2.00

PART	P/N	PART	P/N
CASE	IAAG20A1	BAT CILP	MCD0000G
FACE PLATE	IHAG2B00	BATTERY	CR2032
RUBBER KEY	NKAG26A0	KEY CHAIN	MA160000
		SCREW	MTF02006

SCALE: 1:1	UNIT: M/M	DRN BY Eason	DATE 2007/4/19	NUTEK CORPORATION	
MATERIAL	CHK BY YYS	6/26	TITLE APS07S3BP		
FINISH	APPD BY YGF	6/25	SIZE A4	DEPT	DRAWING NO 9610170
CODE	SHEET	OF			REV 2