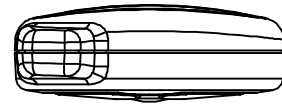


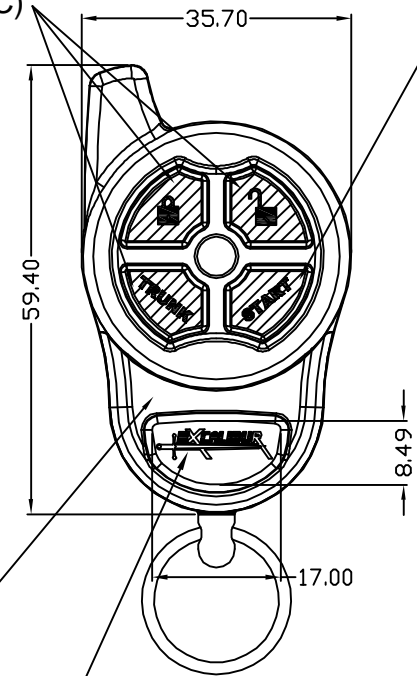
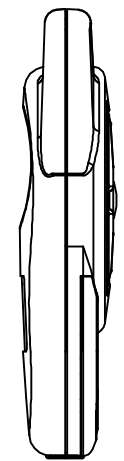
REVISIONS			
REV.	DESCRIPTION	DRN.	DATE
①	MODIFY P/N	ERIC	7/29-'08



Rubber icon : White  
Rubber color : translucent white

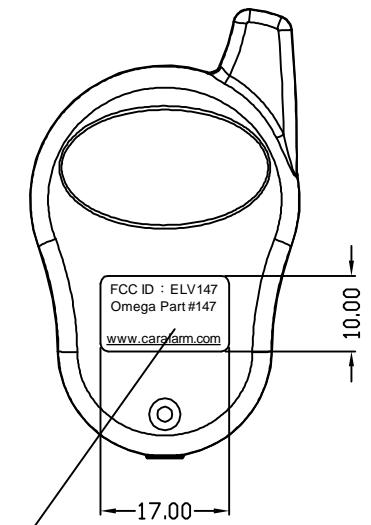
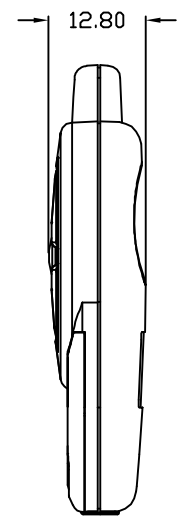
B4 print color : Red

B1,2,3 print color : Gray(pantone 430C)



Face plate : Chrome

CHANGE CORE FLUSH=0.0MM  
 ENGRAVE CAVE=0.3MM



FCC ID : ELV147  
 Omega Part #147  
 www.cargfarm.com

CHANGE CORE(CAVE=0.3)  
 ENGRAVE RAISD=0.2mm

① ~~IAEH10A1~~  
 ① ~~MDEH1S00~~

CASE P/N : IAEH1001  
 FACE PLATE : IHEH3S00  
 LOGO PLATE : IHEH10A0  
 RUBBER : NKEH1CA0

BODY MATERIAL : ABS+PC  
 1. Texture is same as MT-11010  
 2. Radius will be 0.2 if not specified.  
 3. Body color : BLACK  
 4. Battery : CR2016\*2  
 5. Battery clip : MCDA100G+IADA2000  
 6. Key chain : MA160000  
 7. Screw : MTF02006\*1

\*Tolerance please refer specification of tolerance limits "c"  
 INJECT TOLERANCE SPEC.

DIMENSION	GRADE	A	B	C
UNDER 6	±	0.08	0.16	0.30
6~30	±	0.10	0.20	0.40
30~120	±	0.20	0.40	0.80
120~300	±	0.40	0.80	2.00

SCALE: 1:1	UNIT: M/M	DRN BY ERIC	DATE 6/12-'08	NUTEK CORPORATION		
MATERIAL	CHK BY YYS	TITLE		EXC #147-03 TX		
FINISH	APPD BY VICTOR	SIZE A4	DEPT	DRAWING NO 9710300	REV 1	
CODE	SHEET OF					



Label size:  
Length: 1.7cm, Width: 1cm

FCC ID: ELV147  
Omega Part#147  
www.c3i3111.com