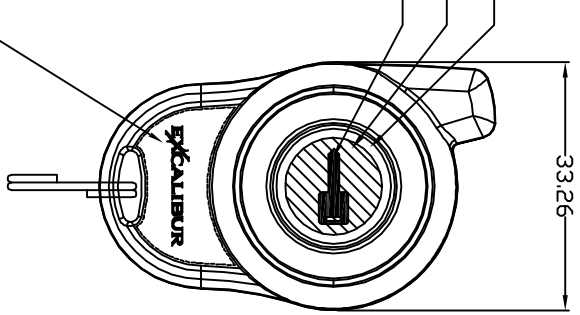


REVISIONS				
REV.	ACC.	DESCRIPTION	DRN.	DATE
Δ	5/13 EMAIL	ADD BOTTOM CHANGE CORE	James	5/13/10

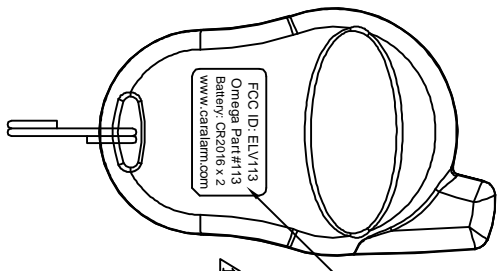
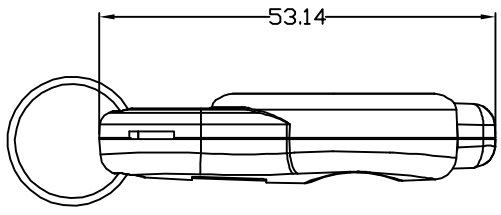


TOP/BOTTOM CASE COLOR: BLACK  
TEXTURE:MT-11010

COLOR:TRANSPARENT  
PRINT COLDR:RED  
ICON COLDR:WHITE



ENGRAVING<<CAVE=0.3>>  
CHANGE CORE<<CAVE=0>>



ENGRAVING<<RAISED=0.2>>  
CHANGE CORE  
<<CAVE=0.3/ND TEXTURE>>

P/N: IAEK00A1

BODY MATERIAL : ABS+PC  
1. Texture is same as MT-11010  
2. Raddious will be 0.2 if not specified.

tolerance please refer specification of tolerance units "C"  
Metric tolerance spec.

Size	A	B	C	D
0-30	0.08	0.10	0.15	0.20
30-120	0.10	0.12	0.18	0.25
120-500	0.15	0.18	0.25	0.30

PART	P/N
CASE	IAEK00A1
RUBBER KEY	NKEK02A0
BAT CLIP	MCD1100G
BATTERY	BTCR2016*2
KEY CHAIN	MA150000

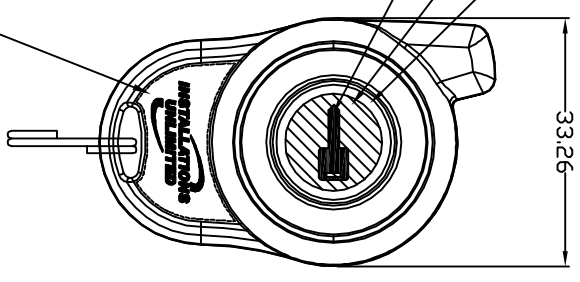
SCALE: 1:1	UNIT: M/M	DRN BY: James	DATE: 5/4/10	NUTTEK CORPORATION	
MATERIAL:	CHK BY: YVS	5/13/10	TITLE: EXC #113-03	1-Button TX	
FINISH:	APPD BY: VICTOR	5/13/10	SIZE: A4	DEPT: 9910130	REV: 1
CODE:	SHEET: OF				

REVISIONS			
REV.	ACC.	DESCRIPTION	DRN. DATE
△			
△			

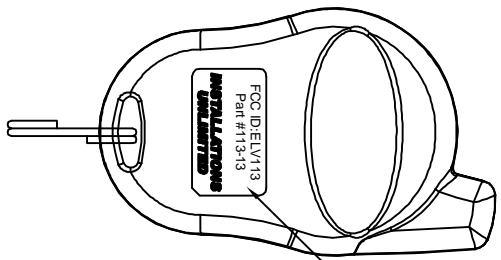
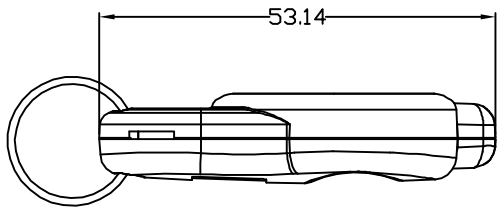


TOP/BOTTOM CASE COLOR: BLACK  
TEXTURE:MT-11010

COLOR:TRANSPARENT  
PRINT COLDR:RED  
ICON COLDR:WHITE



CHANGE CORE FLUSH=0.0MM  
ENGRAVE CAVE=0.3MM



ENGRAVING(RAISED=0.2)  
CHANGE CORE  
(CAVE=0.3/ND TEXTURE)

BODY MATERIAL : ABS+PC  
1. Texture is same as MT-11010  
2. Radians will be 0.2 if not specified.

tolerance please refer specification of tolerance units "C" Major tolerance unit:

Size	A	B	C	D
0-30	0.08	0.10	0.15	0.20
30-120	0.10	0.12	0.18	0.25
120-500	0.15	0.18	0.25	0.30

PART	P/N
CASE	IAEK00B2
RUBBER KEY	NKEK02A0
BAT CLIP	MCD1100G
BATTERY	BTCR2016*2
KEY CHAIN	MA150000

P/N: IAEK00B2

SCALE: 1:1	UNIT: M/M	DRN BY: James	DATE: 6/28/10	TITLE: NUTTEK CORPORATION
MATERIAL:	CHK BY: YYS	APPD BY: VICTOR	6/28	EXC #113-13
FINISH:				1-Button TX
CODE:	SHEET: OF	SIZE: A4	DEPT: 9910130-1	REV: 0