

# ALBANY / WISCONSIN

( 82559\_B5 )

ALBANY  
PBA 721383-004  
PB 721503-004

WISCONSIN  
PBA 729757-001  
PB 721503-004

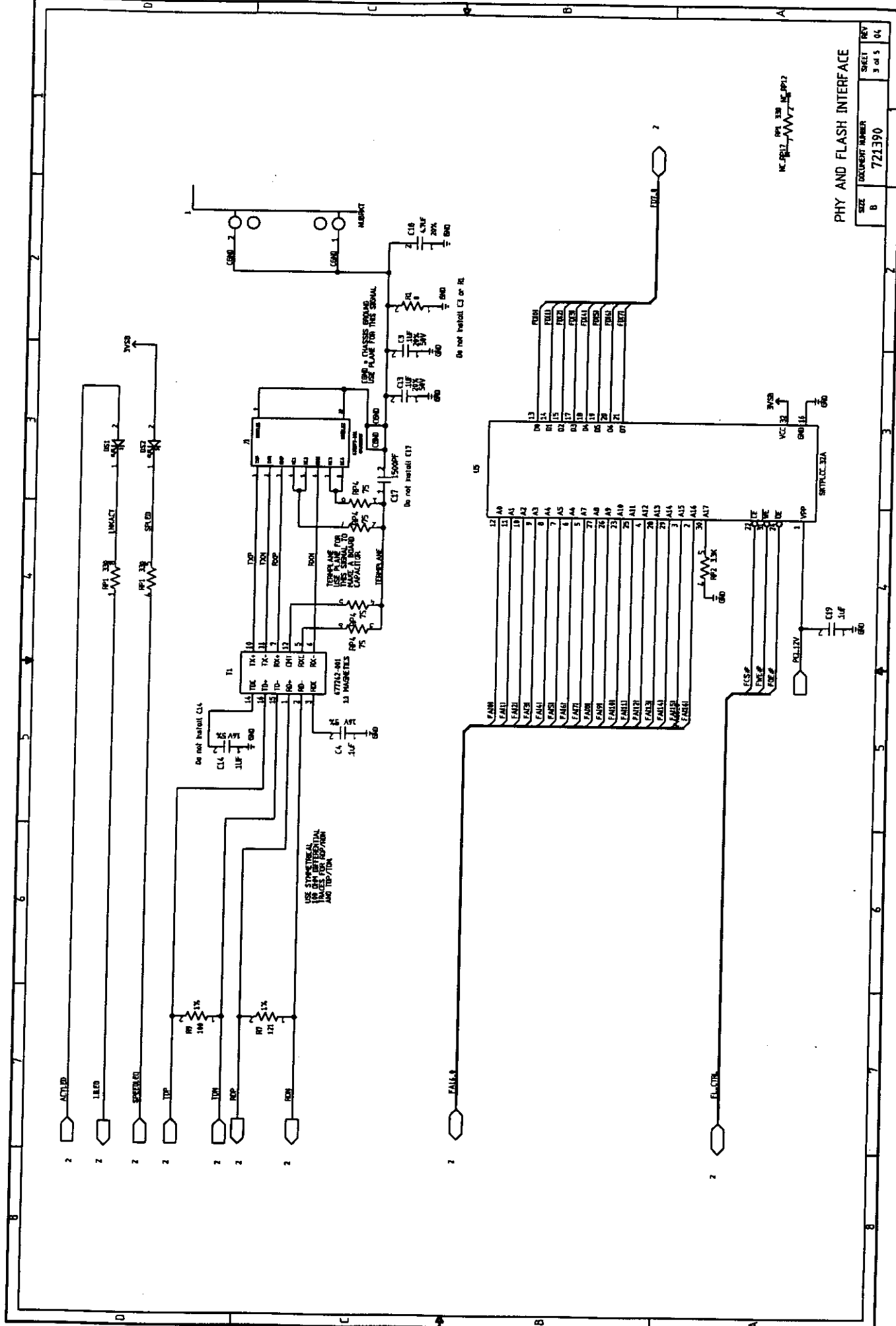
# NETWORK PRODUCTS DIVISION

PAGE 2: 82559 INTERFACE  
PAGE 3: PHY AND FLASH INTERFACE  
PAGE 4: DC/DC CONVERSION AND DETECTION  
PAGE 5: PCI INTERFACE, CAPS & REF. DESIG. TABLE

REVISIONS		
REV	DESCRIPTION	DATE

CONTRACT NO.		INTEL NETWORK PRODUCTS DIVISION	
APPROVALS	DATE	11/11/98	
DESIGNED		ALBANY	
CHECKED		( 82559 BASED 10/100 Mbps Ethernet Controller)	
ISSUED		SIZE	FORM NO. 721390
		SCALE	
			REV 1 of 5

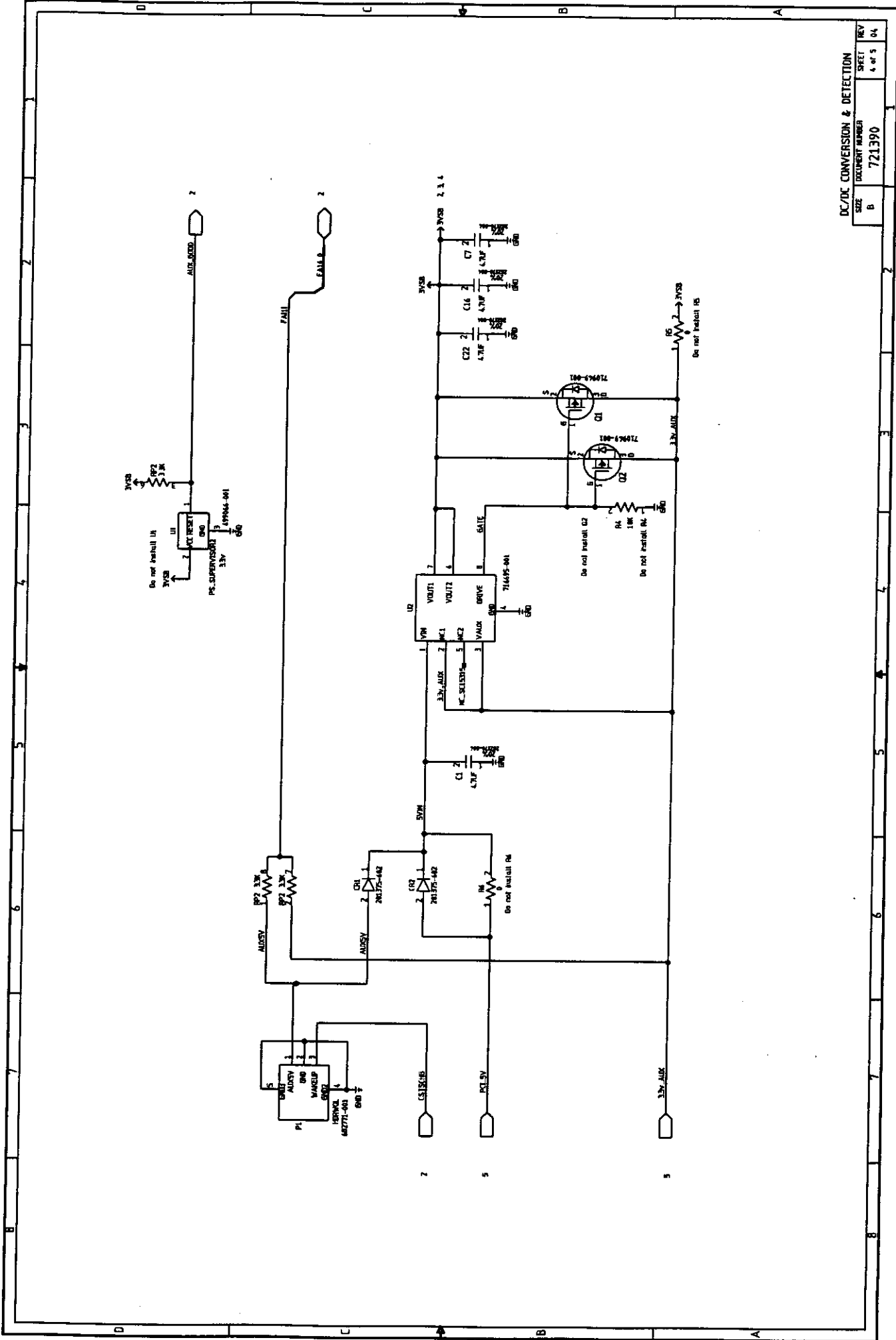


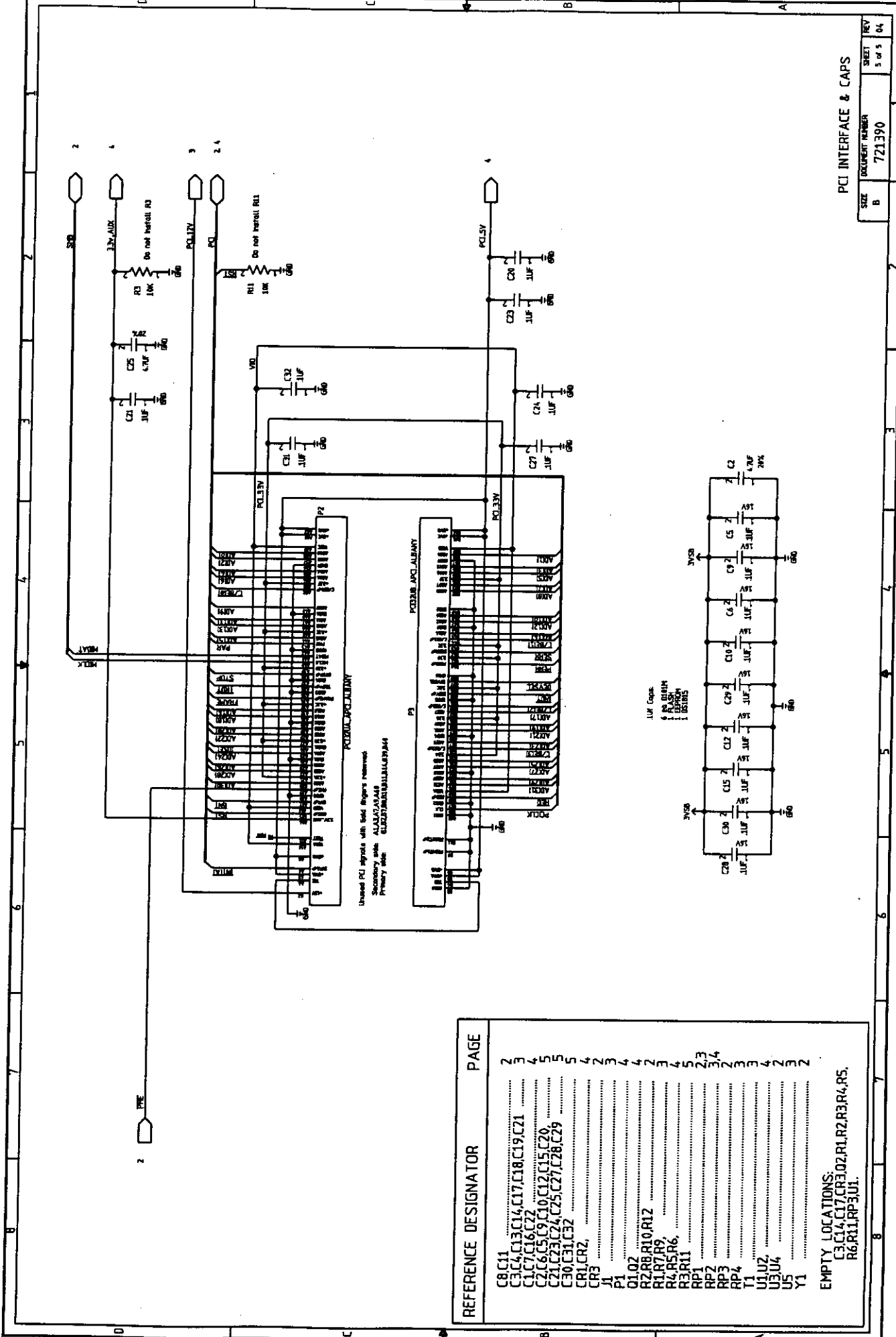


REV. 1.00 10/80

PHY AND FLASH INTERFACE

SIZE	DOCUMENT NUMBER	SHEET	REV
B	721390	1 of 5	01





PCI INTERFACE & CAPS

SIZE	DOCUMENT NUMBER	SHEET	REV
B	721390	5 of 5	04

REFERENCE DESIGNATOR	PAGE
C8C11	2
C3C4,C13,C14,C17,C18,C19,C21	3
C1,C7,C16,C22	4
C2,C6,C5,C9,C10,C12,C15,C20	5
C21,C23,C24,C25,C27,C28,C29	5
C30,C31,C32	5
C1,C2,C3	4
R1,R2,R3	2
J1	3
P1	4
Q1,Q2	4
R2,R8,R10,R12	4
R1,R7,R9	4
R4,R5,R6	3
R3,R11	4
RP1	5
RP2	2
RP3	3
RP4	3
T1	3
U1,U2	3
U3,U4	4
U5	2
Y1	2

EMPTY LOCATIONS:  
 C3,C14,C17,C18,C19,C20,R2,R3,R4,R5,  
 R6,R11,RP3,U1.