



March 17, 2000

FEDERAL COMMUNICATIONS COMMISSION

7435 Oakland Mills Road
Columbia, MD 21046
USA

Subject: FCC Certification Authorization Application under FCC PART 15, Subpart C, Sec. 15.247 - Direct Sequence Spread Spectrum Transmitters operating in the frequency band 2400 - 2483.5 MHz.

Product: PCMCIA WIRELESS LAN CARD
Model No.: WL-211F
FCC ID: MXF-WL211F

Dear Sir or Madam:

As appointed agent for **GEMTEK TECHNOLOGY CO., LTD.**, we would like to submit the application to the Federal Communications Commission for certification of the above product. Please review all necessary files uploaded to FCC OET site for detailed information.

Since the rf exposure safety distance is small (2.4 cm) where the power density reach $1\text{mW}/\text{cm}^2$ and the antenna is enclosed within the case, the RF exposure risk is in-considerable. Therefore, the applicant wishes to apply for the exemption of the SAR test requirements. Please kindly refer to the RF Exposure Warning for compliance with FCC Rule 2.1093 in the "RF Exposure Info" Exhibit and User's Manual for detailed information.

Enclosed you will find copy of the engineering report, the necessary documents and information pertaining to this submission, in addition, please refer to the multiple listing letters of agreement from Gemtek Technology Co. Ltd. and NgeeAnn Polytechnic.

If you have any queries, please do not hesitate to contact us.

Yours truly,

A handwritten signature in red ink, appearing to read "Tri Minh Luu", with a horizontal line underneath.

Tri Minh Luu, P. Eng.,
V.P., Engineering

Encl

3000 Bristol Circle
Oakville, Ontario, Canada
L6H 6G4

Telephone (905) 829-1570
Facsimile (905) 829-8050

Website: www.ultratech-labs.com
Email: tri.luu@sympatico.ca
vhk.ultratech@sympatico.ca



Canada

NVLAP

entela

IT



3000 Bristol Circle
Oakville, Ontario, Canada
L6H 6G4

Telephone (905) 829-1570
Facsimile (905) 829-8050

Website: www.ultratech-labs.com
Email: tri.luu@sympatico.ca
vhk.ultratech@sympatico.ca

March 17, 2000

GEMTEK TECHNOLOGY CO., LTD.

No. 1, Jen-AI Road, HsinChu Industrial Park
Hukuo Hsiang, Hsinchu Hsien, Taiwan, R.O.C.,

Attn.: Mr. Mike Chen

Subject: FCC Certification Application Testing under FCC PART 15, Subpart C, Sec. 15.247 - Direct Sequence Spread Spectrum Transmitters operating in the frequency band 2400 - 2483.5 MHz.

Product: PCMCIA WIRELESS LAN CARD
Model No.: WL-211F
FCC ID: MXF-WL211F

Dear Mr. Chen,

The product sample, as provided by you, has been tested and found to comply with **FCC PART 15, Subpart C, Sec. 15.247 - Direct Sequence Spread Spectrum Transmitters operating in the frequency band 2400 - 2483.5 MHz.**

Enclosed you will find copies of the engineering report. If you have any queries, please do not hesitate to contact us.

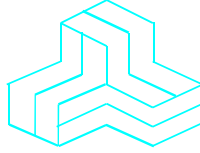
Yours truly,

A handwritten signature in red ink, appearing to read "Tri Minh Luu".

Tri Minh Luu, P. Eng.,
V.P., Engineering

Encl

ENGINEERING TEST REPORT



WIRELESS LAN PC CARD Model No.: WL-211F

FCC ID: MXF-WL211F

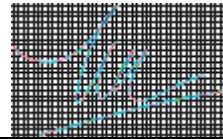
Applicant: **GEMTEK TECHNOLOGY CO., LTD.**
No. 1, Jen-Ai Road, HsinChu Industrial Park
Hukuo Hsiang, HsinChu Hsien, Taiwan, R.O.C.

In Accordance With

**FEDERAL COMMUNICATIONS COMMISSION (FCC)
PART 15, SUBPART C, SEC. 15.247
Direct Sequence Spread Spectrum Transmitters operating
in the frequency band 2400 - 2483.5 MHz**

UltraTech's File No.: GTT-013FTX

This Test report is Issued under the Authority of
Tri M. Luu, Professional Engineer,
Vice President of Engineering
UltraTech Group of Labs



Date: March 23, 2000

Report Prepared by: Mr. Dan Huynh, BAsC.

Tested by: Mr. Hung Trinh, EMI/RFI Technologist

Issued Date: March 17, 2000

Test Dates: Feb. 04-08, Mar. 10 2000

The results in this Test Report apply only to the sample(s) tested, and the sample tested is randomly selected.

UltraTech

3000 Bristol Circle, Oakville, Ontario, Canada, L6H 6G4
Telephone (905) 829-1570 Facsimile (905) 829-8050
Website: www.ultrat4ech-labs.com Email: vhk.ultratech@sympatico.ca

TABLE OF CONTENTS

EXHIBIT 1.	SUBMITTAL CHECK LIST.....	ERROR! BOOKMARK NOT DEFINED.
EXHIBIT 2.	INTRODUCTION	5
2.1.	SCOPE.....	5
2.2.	RELATED SUBMITAL(S)/GRANT(S).....	5
2.3.	NORMATIVE REFERENCES	5
EXHIBIT 3.	PERFORMANCE ASSESSMENT.....	6
3.1.	CLIENT INFORMATION	6
3.2.	EQUIPMENT UNDER TEST (EUT) INFORMATION.....	6
3.3.	EUT'S TECHNICAL SPECIFICATIONS	7
3.4.	LIST OF EUT'S PORTS	8
3.5.	ANCILLARY EQUIPMENT	8
3.6.	BLOCK DIAGRAM OF TEST SETUP	9
EXHIBIT 4.	EUT OPERATING CONDITIONS AND CONFIGURATIONS DURING TESTS.....	10
4.1.	CLIMATE TEST CONDITIONS	10
4.2.	OPERATIONAL TEST CONDITIONS & ARRANGEMENT FOR TESTS.....	10
EXHIBIT 5.	SUMMARY OF TEST RESULTS	11
5.1.	LOCATION OF TESTS	11
5.2.	APPLICABILITY & SUMMARY OF EMC EMISSION TEST RESULTS	11
5.3.	MODIFICATIONS INCORPORATED IN THE EUT FOR COMPLIANCE PURPOSES	11
EXHIBIT 6.	MEASUREMENT DATA	12
6.1.	TEST PROCEDURES.....	12
6.2.	MEASUREMENT UNCERTAINTIES	12
6.3.	MEASUREMENT EQUIPMENT USED:.....	12
6.4.	ESSENTIAL/PRIMARY FUNCTIONS AS DECLARED BY THE MANUFACTURER:.....	12
6.5.	AC POWERLINE CONDUCTED EMISSIONS @ FCC PART 15, SUBPART B, PARA.15.107(A).....	13
6.5.1.	<i>Limits</i>	13
6.5.2.	<i>Method of Measurements</i>	13
6.5.3.	<i>Test Arrangement</i>	13
6.5.4.	<i>Test Equipment List</i>	14
6.5.5.	<i>Test Data</i>	14
6.5.6.	<i>Plots</i>	16
6.5.7.	<i>Photographs of Test Setup</i>	16
6.6.	6 DB BANDWIDTH @ FCC 15.247(A)(2).....	17
6.6.1.	<i>Limits</i>	17
6.6.2.	<i>Method of Measurements</i>	17
	<i>Test Arrangement</i>	17
6.6.4.	<i>Test Equipment List</i>	17
6.6.5.	<i>Test Data</i>	17
6.6.6.	<i>Plots</i>	17
6.7.	PEAK OUTPUT POWER & EFFECTIVE RADIATED POWER (EIRP) @ FCC 15.247(B) AND RF EXPOSURE LIMIT FCC 1.1310.....	18
6.7.1.	<i>Limits</i>	18
6.7.2.	<i>Method of Measurements</i>	18

ULTRATECH GROUP OF LABS

3000 Bristol Circle, Oakville, Ontario, Canada L6H 6G4

Tel. #: 905-829-1570, Fax. #: 905-829-8050, Email: vhk.ultratech@sympatico.ca, Website: <http://www.ultratech-labs.com>

File #: GTT-013FTX

March 17, 2000

- Assessed by ITI (UK) Competent Body, NVLAP (USA) Accreditation Body & ACA/AUSTEL (Australia)
- Accredited by Industry Canada (Canada) under ACC-LAB (Europe/Canada MRA)
- Recognized/Listed by FCC (USA)
- All test results contained in this engineering test report are traceable to National Institute of Standards and Technology (NIST)

6.7.3. *Test Arrangement* 19
6.7.4. *Test Equipment List* 19
6.7.5. *Test Data* 19
6.8. SPURIOUS EMISSIONS (CONDUCTED), FCC CFR 47, PARA. 15.247(C)..... 22
6.8.1. *Limits* 22
6.8.2. *Method of Measurements*..... 22
6.8.3. *Test Arrangement* 22
6.8.4. *Test Equipment List* 22
6.8.5. *Test Data* 23
6.8.6. *Plots*..... 24
6.9. SPURIOUS EMISSIONS (RADIATED @ 3 METERS), FCC CFR 47, PARA. 15.247(C), 15.209 & 15.205 25
6.9.1. *Limits* 25
6.9.2. *Method of Measurements*..... 26
6.9.3. *Test Arrangement* 26
6.9.4. *Test Equipment List* 27
6.9.5. *Test Data* 27
6.9.6. *Plots*..... 28
6.9.7. *Photographs of Test Setup*..... 28
6.10. TRANSMITTED POWER DENSITY OF A DSSS SYSTEM, FCC CFR 47, PARA. 15.247(D) 29
6.10.1. *Limits* 29
6.10.2. *Method of Measurements*..... 29
6.10.3. *Test Arrangement* 29
6.10.4. *Test Equipment List* 29
6.10.5. *Test Data* 29
6.10.6. *Plots*..... 29
6.11. PROCESSING GAIN OF A DIRECT SEQUENCE SPREAD SPECTRUM, FCC CFR 47, PARA. 15.247(E) 30
6.11.1. *Limits* 30
6.11.2. *Method of Measurements*..... 30
6.11.3. *Theoretical Process Gain for CCK Modulation* 30
6.11.4. *Test Equipment List* 33
6.11.5. *Test Arrangement* 34
6.11.6. *Test Data* 35
EXHIBIT 7. MEASUREMENT UNCERTAINTY 63
7.1. LINE CONDUCTED EMISSION MEASUREMENT UNCERTAINTY 63
7.2. RADIATED EMISSION MEASUREMENT UNCERTAINTY 64
EXHIBIT 8. MEASUREMENT METHODS 65
8.1. GENERAL TEST CONDITIONS 65
8.1.1. *Normal temperature and humidity*..... 65
8.1.2. *Normal power source* 65
8.1.3. *Operating Condition of Equipment under Test*..... 65
8.2. METHOD OF MEASUREMENTS - AC MAINS CONDUCTED EMISSIONS 66
8.3. EFFECTIVE RADIATED POWER 67
8.4. SPURIOUS EMISSIONS (CONDUCTED & RADIATED)..... 69
8.4.1. *Spurious Emissions (Conducted)*..... 69
8.4.2. *Spurious Emissions (Radiated)*..... 69
8.5. TRANSMITTED POWER DENSITY OF A DSSS SYSTEM 71
8.6. PROCESSING GAIN OF A DIRECT SEQUENCE SPREAD SPECTRUM 72

ULTRATECH GROUP OF LABS

3000 Bristol Circle, Oakville, Ontario, Canada L6H 6G4

Tel. #: 905-829-1570, Fax. #: 905-829-8050, Email: vhk.ultratech@sympatico.ca, Website: <http://www.ultratech-labs.com>

File #: GTT-013FTX

March 17, 2000

- Assessed by ITI (UK) Competent Body, NVLAP (USA) Accreditation Body & ACA/AUSTEL (Australia)
- Accredited by Industry Canada (Canada) under ACC-LAB (Europe/Canada MRA)
- Recognized/Listed by FCC (USA)
- All test results contained in this engineering test report are traceable to National Institute of Standards and Technology (NIST)

EXHIBIT 1. SUBMITTAL CHECK LIST

Exhibit No.	Exhibit Type	Description of Contents	Quality Check (OK)
1 through 8	Test Report	<ul style="list-style-type: none"> Exhibit 1: Submittal check lists Exhibit 2: Introduction Exhibit 3: Performance Assessment Exhibit 4: EUT Operation and Configuration during Tests Exhibit 5: Summary of test Results Exhibit 6: Measurement Data Exhibit 7: Measurement Uncertainty Exhibit 8: Measurement Methods 	<ul style="list-style-type: none"> ✓ ✓ ✓ ✓ ✓ ✓ ✓ ✓
9	Test Report - Plots of Measurement Data	<ul style="list-style-type: none"> AC Power Line Conducted Emissions Plots 6 dB Bandwidth Plots Transmitter Antenna Power Conducted Emissions Plots Transmitter Radiated Emissions Plots Transmitter Power Density plots 	<ul style="list-style-type: none"> ✓ ✓ ✓ ✓ ✓
10	Test Setup Photos	<ul style="list-style-type: none"> AC Power Line Conducted Emissions Transmitter Radiated Emissions 	<ul style="list-style-type: none"> ✓ ✓
11	External Photos of EUT	WL-211F PCMCIA Wireless LAN Card	✓
12	Internal Photos of EUT	WL-211F PCMCIA Wireless LAN Card	✓
13	Cover Letters	<ul style="list-style-type: none"> Letter from Ultratech for Certification Request Letter from the Applicant to appoint Ultratech to act as an agent Letter from the Applicant to request for Confidentiality Filing 	<ul style="list-style-type: none"> ✓ ✓ ✓
14	Attestation Statements	<ul style="list-style-type: none"> Manufacturer's Declaration of Conformity (FCC DoC) for compliance with FCC Part 15, Sub. B, Class B - Computing Devices - if required 	✓
15	Application Forms	<ul style="list-style-type: none"> Form 731 Form 159 Confirmation of Exhibits sent to FCC Status of Exhibits sent to FCC 	<ul style="list-style-type: none"> ✓ ✓ ✓ ✓
16	ID Label/Location Info	<ul style="list-style-type: none"> ID Label Location of ID Label 	<ul style="list-style-type: none"> ✓ ✓
17	Block Diagrams	<ul style="list-style-type: none"> Block Diagrams of WL-211F 	✓
18	Schematic Diagrams	<ul style="list-style-type: none"> WL-211F Schematic Diagrams 	✓
19	Parts List/Tune Up Info	<ul style="list-style-type: none"> WL-211F Bill of Materials 	✓
20	Operational Description	Refer to user manual	
21	RF Exposure Info	<ul style="list-style-type: none"> RF Exposure Language (page 3 of user manual) 	✓
22	Users Manual	<ul style="list-style-type: none"> WL-211 PC Card user Manual 	✓

ULTRATECH GROUP OF LABS

3000 Bristol Circle, Oakville, Ontario, Canada L6H 6G4

Tel. #: 905-829-1570, Fax. #: 905-829-8050, Email: vhk.ultratech@sympatico.ca, Website: <http://www.ultratech-labs.com>

File #: GTT-013FTX

March 17, 2000

- Assessed by ITI (UK) Competent Body, NVLAP (USA) Accreditation Body & ACA/AUSTEL (Australia)
- Accredited by Industry Canada (Canada) under ACC-LAB (Europe/Canada MRA)
- Recognized/Listed by FCC (USA)
- All test results contained in this engineering test report are traceable to National Institute of Standards and Technology (NIST)

EXHIBIT 2. INTRODUCTION

2.1. SCOPE

Reference:	FCC Part 15, Subpart C, Section 15.247:1998
Title	Telecommunication - Code of Federal Regulations, CFR 47, Part 15
Purpose of Test:	To gain FCC Certification Authorization for Direct Sequence Spread Spectrum Transmitters operating in the Frequency Band 2412 - 2462 MHz .
Test Procedures	Both conducted and radiated emissions measurements were conducted in accordance with American National Standards Institute ANSI C63.4 - American National Standard for Methods of Measurement of Radio-Noise Emissions from Low-Voltage Electrical and Electronic Equipment in the Range of 9 kHz to 40 GHz.
Environmental Classification:	<ul style="list-style-type: none"> • Residential • Light-industry, Commercial • Industry

2.2. RELATED SUBMITAL(S)/GRANT(S)

None

2.3. NORMATIVE REFERENCES

Publication	YEAR	Title
FCC CFR Parts 0-19	1998	Code of Federal Regulations – Telecommunication
ANSI C63.4	1992	American National Standard for Methods of Measurement of Radio-Noise Emissions from Low-Voltage Electrical and Electronic Equipment in the Range of 9 kHz to 40 GHz
CISPR 22 & EN 55022	1997 1998	Limits and Methods of Measurements of Radio Disturbance Characteristics of Information Technology Equipment
CISPR 16-1		Specification for Radio Disturbance and Immunity measuring apparatus and methods

ULTRATECH GROUP OF LABS

3000 Bristol Circle, Oakville, Ontario, Canada L6H 6G4

Tel. #: 905-829-1570, Fax. #: 905-829-8050, Email: vhk.ultratech@sympatico.ca, Website: <http://www.ultratech-labs.com>

File #: GTT-013FTX

March 17, 2000

- Assessed by ITI (UK) Competent Body, NVLAP (USA) Accreditation Body & ACA/AUSTEL (Australia)
- Accredited by Industry Canada (Canada) under ACC-LAB (Europe/Canada MRA)
- Recognized/Listed by FCC (USA)
- All test results contained in this engineering test report are traceable to National Institute of Standards and Technology (NIST)

EXHIBIT 3. PERFORMANCE ASSESSMENT

3.1. CLIENT INFORMATION

APPLICANT:	
Name:	GEMTEK TECHNOLOGY CO., LTD.
Address:	No. 1, Jen-AI Road, HsinChu Industrial Park Hukuo Hsiang, HsinChu Hsien, Taiwan, R.O.C.
Contact Person:	Mr. Mike Chen Phone #: 886-3-598-5535 Fax #: 886-3-598-5585 Email Address: mikechen@mail.gemtek.com.tw

MANUFACTURER:	
Name:	GEMTEK TECHNOLOGY CO., LTD.
Address:	No. 1, Jen-AI Road, HsinChu Industrial Park Hukuo Hsiang, HsinChu Hsien, Taiwan, R.O.C.
Contact Person:	Mr. Mike Chen Phone #: 886-3-598-5535 Fax #: 886-3-598-5585 Email Address: mikechen@mail.gemtek.com.tw

3.2. EQUIPMENT UNDER TEST (EUT) INFORMATION

The following information (with the exception of the Date of Receipt) has been supplied by the applicant.

Brand Name	GEMTEK TECHNOLOGY CO., LTD.
Product Name	PCMCIA WIRELESS LAN CARD
Model Name or Number	WL-211F
Serial Number	Preproduction Sample
Type of Equipment	Direct Sequence Spread Spectrum Transmitters
Input Power Supply	Plug-in the laptop PC slot
Primary User Functions of EUT:	Provide data communication link through air

ULTRATECH GROUP OF LABS

3000 Bristol Circle, Oakville, Ontario, Canada L6H 6G4
 Tel. #: 905-829-1570, Fax. #: 905-829-8050, Email: vhk.ultratech@sympatico.ca, Website: <http://www.ultratech-labs.com>

File #: GTT-013FTX
 March 17, 2000

- Assessed by ITI (UK) Competent Body, NVLAP (USA) Accreditation Body & ACA/AUSTEL (Australia)
- Accredited by Industry Canada (Canada) under ACC-LAB (Europe/Canada MRA)
- Recognized/Listed by FCC (USA)
- All test results contained in this engineering test report are traceable to National Institute of Standards and Technology (NIST)

3.3. EUT'S TECHNICAL SPECIFICATIONS

TRANSMITTER	
Equipment Type:	<ul style="list-style-type: none"> ▪ Portable ▪ Mobile ▪ Base station (fixed use)
Intended Operating Environment:	<ul style="list-style-type: none"> ▪ Residential ▪ Commercial, light industry & heavy industry
Power Supply Requirement:	Regulated 5 Vdc (Plug-in to the PCMCIA port of the laptop PC)
RF Output Power Rating:	26 mWatts
Operating Frequency Range:	2412 - 2462 MHz
RF Output Impedance:	50 Ohms
Channel Spacing:	5 MHz
Duty Cycle:	Continuous
6 dB Bandwidth:	11.21 MHz
Modulation Type:	Harris Chip set: <ul style="list-style-type: none"> • DBPSK for 1Mb/s Data Rate • DQPSK for 2 Mb/s Data Rate • CCK for 5.5 Mb/s Data Rate • CCK for 11 Mb/s Data Rate
Chip Rate/Symbol Rate: (or Theoretical Process Gain)	Harris Chip set: <ul style="list-style-type: none"> ▪ 11:1 (for 1 Mb/s Data Rate) ▪ 11:1 (for 2 Mb/s Data Rate) ▪ 11:1.375 or 8 (for 5.5 Mb/s Data Rate) ▪ 11:1.375 or 8 (for 5.5 Bb/s Data Rate)
Measured Process Gain:	<ul style="list-style-type: none"> ▪ 10.2 dB (for 1Mb/s Data Rate) ▪ 10.5 dB (for 2 Mb/s Data Rate) ▪ 11.2 dB (for 5.5 Mb/s Data Rate) ▪ 10.6 dB (for 11 Mb/s Data Rate)
Emission Designation:	DSSS
Oscillator Frequencies:	IF: 374 MHz, IFLO: 748 MHz, RFLO: 2038 MHz CPU: 44 MHz
Spectral Density	1.7 mW/MHz (Power output at the antenna / bandwidth of the RF output spectrum)
Antenna Connector Type:	Integral (the antenna component is soldered onto the radio printed circuit board and located inside the enclosure)
Antenna Description:	Manufacturer: GemTek Technology Co., Ltd Type: printed monopole pair Model: WL-211F ANT1 Frequency Range: 2.4 ~ 2.7 GHz (VSWR<2) In/Out Impedance: 50 Ohms Gain: 2.4 dBi (peak)

ULTRATECH GROUP OF LABS

3000 Bristol Circle, Oakville, Ontario, Canada L6H 6G4

Tel. #: 905-829-1570, Fax. #: 905-829-8050, Email: vhk.ultratech@sympatico.ca, Website: <http://www.ultratech-labs.com>

File #: GTT-013FTX

March 17, 2000

- Assessed by ITI (UK) Competent Body, NVLAP (USA) Accreditation Body & ACA/AUSTEL (Australia)
- Accredited by Industry Canada (Canada) under ACC-LAB (Europe/Canada MRA)
- Recognized/Listed by FCC (USA)
- All test results contained in this engineering test report are traceable to National Institute of Standards and Technology (NIST)

3.4. LIST OF EUT'S PORTS

None

3.5. ANCILLARY EQUIPMENT

The EUT was tested while connected to the following representative configuration of ancillary equipment necessary to exercise the ports during tests:

Ancillary Equipment # 1	
Description:	OMNIBOOK Laptop
Brand name:	Hewlett Packard
Model Name or Number:	DN-2100
FCC Certification	FCC DoC
Serial Number:	TW63403246
Connected to EUT's Port:	PCMCIA type II

Ancillary Equipment # 2	
Description:	Parallel Printer
Brand name:	Digital Printer
Model No.:	LJ100-A2
FCC ID:	EP8JP150
S/N:	0V44349289
Connected to EUT's Port:	None. It is connected to a host computer

Ancillary Equipment # 3	
Description:	Modem
Brand name:	Ventel
Model Name or Number:	EC2400-32A(LE)
Serial Number:	35503508
FCC ID:	AU692VEC2400-32
Connected to EUT's Port:	None. It is connected to a host computer

ULTRATECH GROUP OF LABS

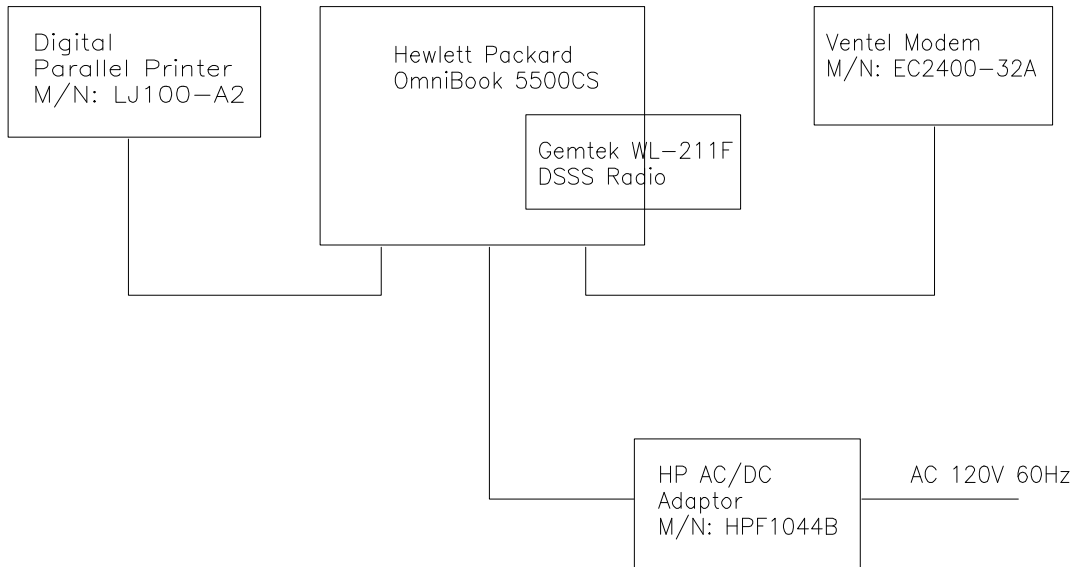
3000 Bristol Circle, Oakville, Ontario, Canada L6H 6G4
 Tel. #: 905-829-1570, Fax. #: 905-829-8050, Email: vhk.ultratech@sympatico.ca, Website: <http://www.ultratech-labs.com>

File #: GTT-013FTX
 March 17, 2000

- Assessed by ITI (UK) Competent Body, NVLAP (USA) Accreditation Body & ACA/AUSTEL (Australia)
- Accredited by Industry Canada (Canada) under ACC-LAB (Europe/Canada MRA)
- Recognized/Listed by FCC (USA)
- All test results contained in this engineering test report are traceable to National Institute of Standards and Technology (NIST)

3.6. BLOCK DIAGRAM OF TEST SETUP

The following drawings show details of the test setup for radiated emissions measurements



ULTRATECH GROUP OF LABS

3000 Bristol Circle, Oakville, Ontario, Canada L6H 6G4

Tel. #: 905-829-1570, Fax. #: 905-829-8050, Email: vhk.ultratech@sympatico.ca, Website: <http://www.ultratech-labs.com>

File #: GTT-013FTX
March 17, 2000

- Assessed by ITI (UK) Competent Body, NVLAP (USA) Accreditation Body & ACA/AUSTEL (Australia)
- Accredited by Industry Canada (Canada) under ACC-LAB (Europe/Canada MRA)
- Recognized/Listed by FCC (USA)
- All test results contained in this engineering test report are traceable to National Institute of Standards and Technology (NIST)

EXHIBIT 4. EUT OPERATING CONDITIONS AND CONFIGURATIONS DURING TESTS

4.1. CLIMATE TEST CONDITIONS

The climate conditions of the test environment are as follows:

Temperature:	21°C
Humidity:	51%
Pressure:	102 kPa
Power input source:	Regulated 5 Vdc (Plug-in to the PCMCIA port of the laptop PC)

4.2. OPERATIONAL TEST CONDITIONS & ARRANGEMENT FOR TESTS

Operating Modes:	<ul style="list-style-type: none"> ▪ Each of lowest, middle and highest channel frequencies transmits continuously for emissions measurements. ▪ The EUT operates in normal Direct Sequence mode for occupancy duration, and frequency separation.
Special Test Software:	<ul style="list-style-type: none"> ▪ Special software is provided by the Applicant to select and operate the EUT at each channel frequency continuously. For example, the transmitter will be operated at each of lowest, middle and highest frequencies individually continuously during testing.
Special Hardware Used:	None
Transmitter Test Antenna:	The EUT is tested with the antenna fitted in a manner typical of normal intended use as an integral antenna equipment.

Transmitter Test Signals:	
Frequencies: <ul style="list-style-type: none"> ▪ 2412 - 2462 MHz band: 	Lowest, middle and highest channel frequencies tested: 2412 MHz, 2437 MHz and 2462 MHz
Transmitter Wanted Output Test Signals: <ul style="list-style-type: none"> ▪ RF Power Output (measured maximum output power): ▪ Normal Test Modulation ▪ Modulating signal source: 	<ul style="list-style-type: none"> ▪ 26 mWatts ▪ Each channel are DQPSK/CCK modulated with data @ 2 Mbps/ 11 Mbps ▪ Internal

ULTRATECH GROUP OF LABS

3000 Bristol Circle, Oakville, Ontario, Canada L6H 6G4
 Tel. #: 905-829-1570, Fax. #: 905-829-8050, Email: vhk.ultratech@sympatico.ca, Website: <http://www.ultratech-labs.com>

File #: GTT-013FTX
 March 17, 2000

- Assessed by ITI (UK) Competent Body, NVLAP (USA) Accreditation Body & ACA/AUSTEL (Australia)
- Accredited by Industry Canada (Canada) under ACC-LAB (Europe/Canada MRA)
- Recognized/Listed by FCC (USA)
- All test results contained in this engineering test report are traceable to National Institute of Standards and Technology (NIST)

EXHIBIT 5. SUMMARY OF TEST RESULTS

5.1. LOCATION OF TESTS

All of the measurements described in this report were performed at Ultratech Group of Labs located in the city of Oakville, Province of Ontario, Canada.

- AC Powerline Conducted Emissions were performed in UltraTech's shielded room, 16'(L) by 12'(W) by 12'(H).
- Radiated Emissions were performed at the Ultratech's 3 Meter Open Field Test Site (OFTS) situated in the Town of Oakville, province of Ontario.

The above sites have been calibrated in accordance with ANSI C63.4, and found to be in compliance with the requirements of Sec. 2.948 of the FCC Rules. The descriptions and site measurement data of the Oakville Open Field Test Site has been filed with FCC office (FCC File No.: 31040/SIT 1300B3) and Industry Canada office (Industry Canada File No.: IC2049). Last Date of Site Calibration: Sep. 20, 1999.

5.2. APPLICABILITY & SUMMARY OF EMC EMISSION TEST RESULTS

FCC PARAGRAPH.	TEST REQUIREMENTS	COMPLIANCE (YES/NO)
15.107, 15.109	AC Power Conducted Emissions & Radiated Emissions for Receiver and Digital Circuit Portions	Yes (Note 1)
15.247(a)(2)	Spectrum Bandwidth of a Direct Sequence Spread Spectrum System	Yes
15.247(b) & 1.1310	Maximum Peak Power and RF Exposure Limits	Yes
15.247(c)	RF Conducted Spurious Emissions at the Transmitter Antenna Terminal	Yes
15.247(c), 15.209 & 15.205	Transmitter Radiated Emissions	Yes
15.247(d)	Transmitted Power Density of a Direct Sequence Spread Spectrum System	Yes
15.247(e)	Processing Gain of Direct Sequence Spread Spectrum System	Yes

Note 1: The digital circuits portion of the EUT has been tested and verified to comply with FCC Part 15, Subpart B, Class B Digital Devices and Radio Receivers. The engineering test report can be provided upon FCC requests.

5.3. MODIFICATIONS INCORPORATED IN THE EUT FOR COMPLIANCE PURPOSES

None

ULTRATECH GROUP OF LABS

3000 Bristol Circle, Oakville, Ontario, Canada L6H 6G4

Tel. #: 905-829-1570, Fax. #: 905-829-8050, Email: vhk.ultratech@sympatico.ca, Website: <http://www.ultratech-labs.com>

File #: GTT-013FTX
 March 17, 2000

- Assessed by ITI (UK) Competent Body, NVLAP (USA) Accreditation Body & ACA/AUSTEL (Australia)
- Accredited by Industry Canada (Canada) under ACC-LAB (Europe/Canada MRA)
- Recognized/Listed by FCC (USA)
- All test results contained in this engineering test report are traceable to National Institute of Standards and Technology (NIST)

EXHIBIT 6. MEASUREMENT DATA

6.1. TEST PROCEDURES

This section contains test results only. Details of test methods and procedures can be found in Exhibit 8 of this report

6.2. MEASUREMENT UNCERTAINTIES

The measurement uncertainties stated were calculated in accordance with requirements of UKAS Document NIS 81 with a confidence level of 95%. Please refer to Exhibit 7 for Measurement Uncertainties.

6.3. MEASUREMENT EQUIPMENT USED:

The measurement equipment used complied with the requirements of the Standards referenced in the Methods & Procedures ANSI C64.3:1992, FCC 15.247 and CISPR 16-1.

6.4. ESSENTIAL/PRIMARY FUNCTIONS AS DECLARED BY THE MANUFACTURER:

The essential function of the EUT is to correctly communicate data to and from radios over RF link.

ULTRATECH GROUP OF LABS

3000 Bristol Circle, Oakville, Ontario, Canada L6H 6G4

Tel. #: 905-829-1570, Fax. #: 905-829-8050, Email: vhk.ultratech@sympatico.ca, Website: <http://www.ultratech-labs.com>

File #: GTT-013FTX
March 17, 2000

- Assessed by ITI (UK) Competent Body, NVLAP (USA) Accreditation Body & ACA/AUSTEL (Australia)
- Accredited by Industry Canada (Canada) under ACC-LAB (Europe/Canada MRA)
- Recognized/Listed by FCC (USA)
- *All test results contained in this engineering test report are traceable to National Institute of Standards and Technology (NIST)*

6.5. AC POWERLINE CONDUCTED EMISSIONS @ FCC PART 15, SUBPART B, PARA.15.107(A)

6.5.1. Limits

The equipment shall meet the limits of the following table:

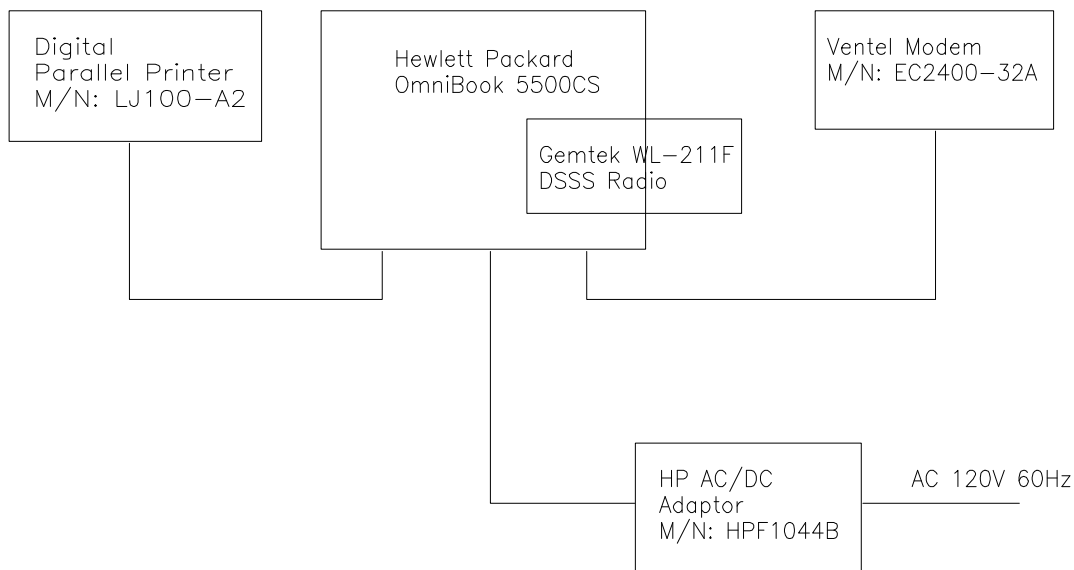
Test Frequency Range	Test Limits	EMI Detector Used	Measuring Bandwidth
0.45 to 30 MHz	48 dB μ V	Quasi-Peak (Narrow band)	B = 10 kHz
	61 dB μ V	Quasi-Peak (Broad band)	B = 10 kHz

6.5.2. Method of Measurements

Refer to Exhibit 8, Sec. 8.2 of this test report & ANSI C63.4:1992

6.5.3. Test Arrangement

The following drawing shows details of the test setup for emission measurements.



ULTRATECH GROUP OF LABS

3000 Bristol Circle, Oakville, Ontario, Canada L6H 6G4

Tel. #: 905-829-1570, Fax. #: 905-829-8050, Email: vhk.ultratech@sympatico.ca, Website: <http://www.ultratech-labs.com>

File #: GTT-013FTX
 March 17, 2000

- Assessed by ITI (UK) Competent Body, NVLAP (USA) Accreditation Body & ACA/AUSTEL (Australia)
- Accredited by Industry Canada (Canada) under ACC-LAB (Europe/Canada MRA)
- Recognized/Listed by FCC (USA)
- All test results contained in this engineering test report are traceable to National Institute of Standards and Technology (NIST)

6.5.4. Test Equipment List

Test Instruments	Manufacturer	Model No.	Serial No.	Frequency Range
Spectrum Analyzer/ EMI Receiver	Hewlett Packard	HP 8593EM	3412A00103	9 kHz – 26.5 GHz
Transient Limiter	Hewlett Packard	11947A	310701998	9 kHz – 200 MHz 10 dB attenuation
L.I.S.N.	EMCO	3825/2	89071531	9 kHz – 200 MHz 50 Ohms / 50 μ H
12'x16'x12' RF Shielded Chamber	RF Shielding

6.5.5. Test Data

FREQUENCY (MHz)	RF LEVEL (dB μ V)	RECEIVER DETECTOR (P/QP/AVG)	QP/NB LIMIT (dB μ V)	QP/BB LIMIT (dB μ V)	MARGIN (dB)	PASS/ FAIL	LINE TESTED (L1/L2)
3.117	28.8	QP	48.0	61.0	-19.2	PASS	L1
8.090	35.7	QP	48.0	61.0	-12.3	PASS	L1
12.808	38.5	QP	48.0	61.0	-9.5	PASS	L1
16.604	39.4	QP	48.0	61.0	-8.6	PASS	L1
20.647	33.1	QP	48.0	61.0	-14.9	PASS	L1
3.117	28.1	QP	48.0	61.0	-19.9	PASS	L2
8.090	35.0	QP	48.0	61.0	-13.0	PASS	L2
12.807	38.3	QP	48.0	61.0	-9.7	PASS	L2
16.604	39.2	QP	48.0	61.0	-8.8	PASS	L2
20.646	32.6	QP	48.0	61.0	-15.4	PASS	L2

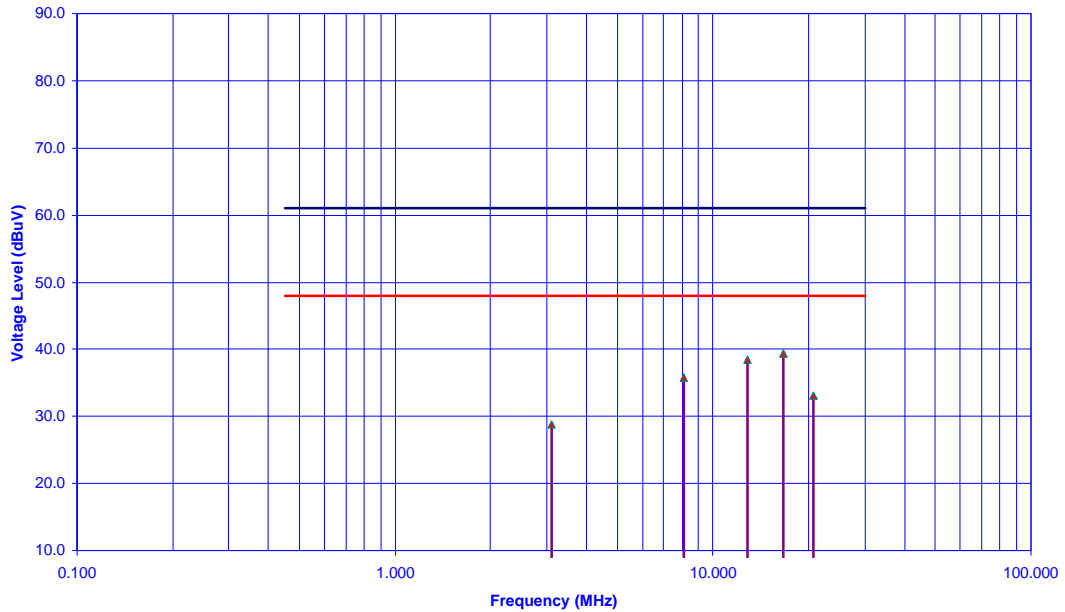
ULTRATECH GROUP OF LABS

3000 Bristol Circle, Oakville, Ontario, Canada L6H 6G4
 Tel. #: 905-829-1570, Fax. #: 905-829-8050, Email: vhk.ultratech@sympatico.ca, Website: <http://www.ultratech-labs.com>

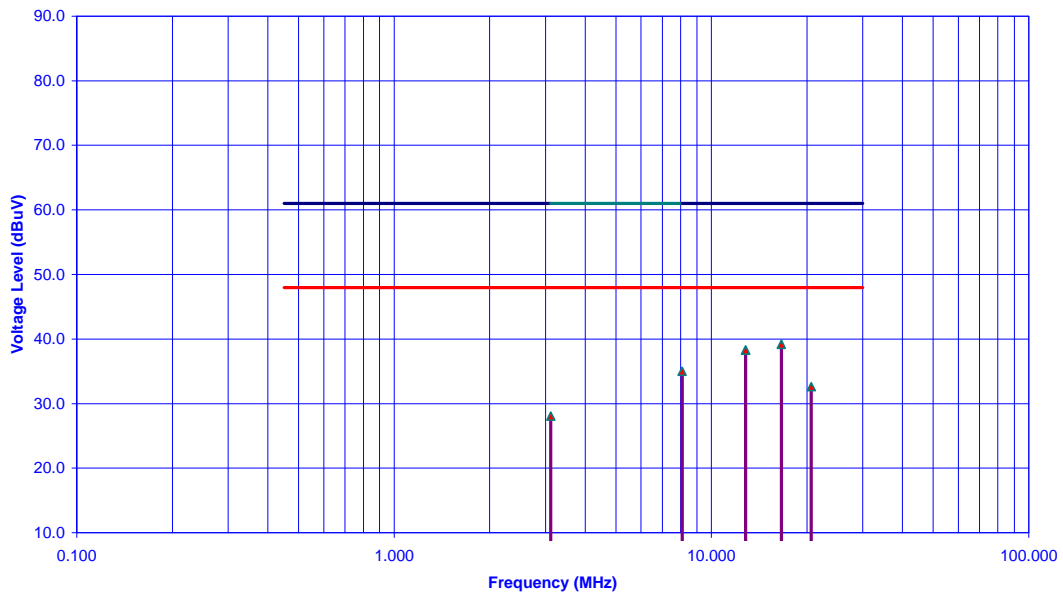
File #: GTT-013FTX
 March 17, 2000

- Assessed by ITI (UK) Competent Body, NVLAP (USA) Accreditation Body & ACA/AUSTEL (Australia)
- Accredited by Industry Canada (Canada) under ACC-LAB (Europe/Canada MRA)
- Recognized/Listed by FCC (USA)
- All test results contained in this engineering test report are traceable to National Institute of Standards and Technology (NIST)

AC Conducted Emissions - Line #1 (Hot)
Ultratech Engineering Labs Inc.
Gemtek PCMCIA Wireless LAN Card, Model WL-211F



AC Conducted Emissions - Line #2 (Neutral)
Ultratech Engineering Labs Inc.
Gemtek PCMCIA Wireless LAN Card, Model WL-211F



ULTRATECH GROUP OF LABS

3000 Bristol Circle, Oakville, Ontario, Canada L6H 6G4

Tel. #: 905-829-1570, Fax. #: 905-829-8050, Email: vhk.ultratech@sympatico.ca, Website: <http://www.ultratech-labs.com>

File #: GTT-013FTX
March 17, 2000

- Assessed by ITI (UK) Competent Body, NVLAP (USA) Accreditation Body & ACA/AUSTEL (Australia)
- Accredited by Industry Canada (Canada) under ACC-LAB (Europe/Canada MRA)
- Recognized/Listed by FCC (USA)
- All test results contained in this engineering test report are traceable to National Institute of Standards and Technology (NIST)

6.5.6. Plots

Please refer to attached AC Powerline Conducted Emissions Plots.

6.5.7. Photographs of Test Setup

Please refer to attached AC Powerline Conducted Emissions photographs for setup and arrangement of equipment under tests and its ancillary equipment.

ULTRATECH GROUP OF LABS

3000 Bristol Circle, Oakville, Ontario, Canada L6H 6G4

Tel. #: 905-829-1570, Fax. #: 905-829-8050, Email: vhk.ultratech@sympatico.ca, Website: <http://www.ultratech-labs.com>

File #: GTT-013FTX
March 17, 2000

- Assessed by ITI (UK) Competent Body, NVLAP (USA) Accreditation Body & ACA/AUSTEL (Australia)
- Accredited by Industry Canada (Canada) under ACC-LAB (Europe/Canada MRA)
- Recognized/Listed by FCC (USA)
- *All test results contained in this engineering test report are traceable to National Institute of Standards and Technology (NIST)*

6.6. 6 DB BANDWIDTH @ FCC 15.247(A)(2)

6.6.1. Limits

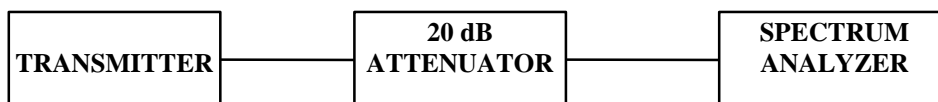
For a direct sequence spread spectrum system, the minimum 6 dB bandwidth shall be at least 500 KHz.

6.6.2. Method of Measurements

Refer to FCC 15.247(c) & ANSI C63.4:1992

The transmitter output was connected to the spectrum analyzer through an attenuator. the bandwidth of the fundamental frequency was measured with the spectrum analyzer using 30 KHz RBW, VBW = 100 KHz,. The 6 dB bandwidth was measured and recorded.

6.6.3. Test Arrangement



6.6.4. Test Equipment List

Test Instruments	Manufacturer	Model No.	Serial No.	Frequency Range
Spectrum Analyzer/ EMI Receiver	Hewlett Packard	HP 8593EM	3412A00103	9 kHz – 26.5 GHz

6.6.5. Test Data

CHANNEL FREQUENCY (MHz)	6 dB BANDWIDTH (MHz)	MINIMUM LIMIT (MHz)	PASS/FAIL
Test Configuration #1: Data Rate at 2 Mbps with DQPSK Modulation			
2412	9.79	0.5	PASS
2437	10.36	0.5	PASS
2462	10.29	0.5	PASS
Test Configuration #2: Data Rate at 11 Mbps with CCK Modulation			
2412	9.86	0.5	PASS
2437	9.86	0.5	PASS
2462	11.21	0.5	PASS

6.6.6. Plots

Please refer to attached 6 dB Bandwidth plots for measurements data

ULTRATECH GROUP OF LABS

3000 Bristol Circle, Oakville, Ontario, Canada L6H 6G4

Tel. #: 905-829-1570, Fax. #: 905-829-8050, Email: vhk.ultratech@sympatico.ca, Website: <http://www.ultratech-labs.com>

File #: GTT-013FTX

March 17, 2000

- Assessed by ITI (UK) Competent Body, NVLAP (USA) Accreditation Body & ACA/AUSTEL (Australia)
- Accredited by Industry Canada (Canada) under ACC-LAB (Europe/Canada MRA)
- Recognized/Listed by FCC (USA)
- All test results contained in this engineering test report are traceable to National Institute of Standards and Technology (NIST)

6.7. PEAK OUTPUT POWER & EFFECTIVE RADIATED POWER (EIRP) @ FCC 15.247(B) AND RF EXPOSURE LIMIT FCC 1.1310

6.7.1. Limits

- **FCC 15.247(b)(1):** Maximum peak output power of the transmitter shall not exceed 1 Watt.
- **FCC 15.247(b)(3):** If the antenna of directional gain greater than 6 dBi are used, the power shall be reduced by the amount in dB that the directional gain of the antenna exceeds 6 dBi.
- **FCC 15.247(b)(3)(i):** Systems operating in the 2400 - 2483.5 MHz band that are used exclusively for fixed, point-to-point operations may employ transmitting antennas with directional gain greater than 6 dBi provided the maximum peak output power of the intentional radiator is reduce by 1 dB for every 3 dB that the directional gain of the antenna exceeds 6 dBi..
- **FCC 1.1310:-** The criteria listed in the following table shall be used to evaluate the environmental impact of human exposure to radio-frequency (RF) radiation as specified in 1.1307(b).

LIMITS FOR MAXIMUM PERMISSIBLE EXPOSURE (MPE)

Frequency Range (MHz)	Electric Field Strength (V/m)	Magnetic Field Strength (A/m)	Power Density (mW/cm ²)	Average Time (minutes)
(A) Limits for Occupational/Control Exposures				
300-1500	F/300	6
1500-100,000	5	6
(B) Limits for General Population/Uncontrolled Exposure				
300-1500	F/1500	6
1500-100,000	1.0	30

F = Frequency in MHz

6.7.2. Method of Measurements

Refer to Exhibit 8, Sec. 8.3 of this test report, FCC 15.247(b)(1)&(3), ANSI C63.4:1992, FCC @ 1.1310 & OST Bulletin No. 65-October 1985

$$S = PG/4\pi r^2 = EIRP/4\pi r^2$$

Where:

- P: power input to the antenna in mW
- EIRP: Equivalent (effective) isotropic radiated power.
- S: power density mW/cm²
- G: numeric gain of antenna relative to isotropic radiator
- r: distance to center of radiation in cm

$$r = \sqrt{PG/4\pi S}$$

FCC radio frequency exposure limits may not be exceeded at distances closer than r cm from the antenna of this device

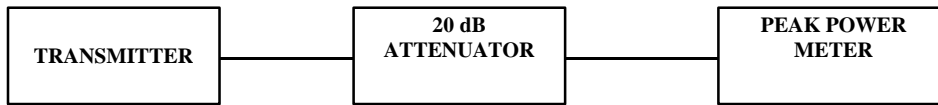
ULTRATECH GROUP OF LABS

3000 Bristol Circle, Oakville, Ontario, Canada L6H 6G4
 Tel. #: 905-829-1570, Fax. #: 905-829-8050, Email: vhk.ultratech@sympatico.ca, Website: <http://www.ultratech-labs.com>

File #: GTT-013FTX
 March 17, 2000

- Assessed by ITI (UK) Competent Body, NVLAP (USA) Accreditation Body & ACA/AUSTEL (Australia)
- Accredited by Industry Canada (Canada) under ACC-LAB (Europe/Canada MRA)
- Recognized/Listed by FCC (USA)
- All test results contained in this engineering test report are traceable to National Institute of Standards and Technology (NIST)

6.7.3. Test Arrangement



6.7.4. Test Equipment List

Test Instruments	Manufacturer	Model No.	Serial No.	Frequency Range
Spectrum Analyzer/ EMI Receiver	Hewlett Packard	HP 8593EM	3412A00103	9 kHz – 26.5 GHz
Peak Power Meter & Peak Power Sensor	Hewlett Packard	8900 8481A	2131A00124 2551A01965	0.1-18 GHz 50 Ohms Input
Microwave Amplifier	Hewlett Packard	HP 83017A		1 GHz to 26.5 GHz
Horn Antenna	EMCO	3155	9701-5061	1 GHz – 18 GHz
Horn Antenna	EMCO	3155	????	1 GHz – 18 GHz

6.7.5. Test Data

6.7.5.1. Test Configuration #1: Data Rate at 2 Mbps with DQPSK Modulation

EIRP MEASUREMENTS - CALCULATION METHOD

Duty cycle: Continuous

Duty Cycle X = 10*log(duty cycle) = 0 dB

Transmitter Channel	Frequency (MHz)	Antenna Gain G (dBi)	(wideband) Peak Power P @ Antenna Port (dBm)	(wideband) Calculated Peak EIRP (P+G+X) (dBm)	Limit (dBm)
Lowest	2412	2.4	14.1	16.5	30
Middle	2437	2.4	14.1	16.5	30
Highest	2462	2.4	14.1	16.5	30

ULTRATECH GROUP OF LABS

3000 Bristol Circle, Oakville, Ontario, Canada L6H 6G4
 Tel. #: 905-829-1570, Fax. #: 905-829-8050, Email: vhk.ultratech@sympatico.ca, Website: <http://www.ultratech-labs.com>

File #: GTT-013FTX
 March 17, 2000

- Assessed by ITI (UK) Competent Body, NVLAP (USA) Accreditation Body & ACA/AUSTEL (Australia)
- Accredited by Industry Canada (Canada) under ACC-LAB (Europe/Canada MRA)
- Recognized/Listed by FCC (USA)
- All test results contained in this engineering test report are traceable to National Institute of Standards and Technology (NIST)

EIRP MEASUREMENTS – SUBSTITUTION METOD

- Spectrum 99% BW: B = 15.2 MHz
- Duty Cycle: X = 0 dB
- Antenna Gain = 2.4 dBi

Frequency (MHz)	E-Field in 1 MHz BW@ 3m (dBµV/m)	Antenna Polarization (V/H)	Power from Signal GEN. + Cable Loss S (dBm)	Substitution Antenna Gain G (dBi)	Measured Total Peak EIRP = S+G+10*log(BW) (dBm)	Total Average EIRP = Peak EIRP+X (dBm)
2412	102.28	V	-3.5	8.2	16.5	16.5
2412	104.56	H	-2.8	8.2	17.2	17.2
2437	99.15	V	-6.6	8.2	13.4	13.4
2437	101.91	H	-5.3	8.2	14.7	14.7
2462	99.34	V	-7.3	8.2	12.7	12.7
2462	103.08	H	-3.7	8.2	16.3	16.3

RF EXOSURE LIMIT

Transmitter Channel	Frequency (MHz)	Antenna Gain G (dBi)	(wideband) Average EIRP (dBm)	Power Desity Limit (mW/cm ²)	(*) Safety Distance Limit (cm)
Lowest	2412	2.4	17.2	1.0	2.0
Middle	2437	2.4	14.7	1.0	1.5
Highest	2462	2.4	16.3	1.0	1.8

Note:

(*) RF EXPOSURE DISTANCE LIMITS: $r = (PG/4\pi S)^{1/2} = (EIRP/4\pi S)^{1/2}$

6.7.5.2. Test Configuration #2: Data Rate at 11 Mbps with CCK Modulation

EIRP MEASUREMENTS - CALCULATION METHODOD

Duty Cycle X = Continuous.

Duty Cycle X = 10*log(duty cycle) = 0 dB

Transmitter Channel	Frequency (MHz)	Antenna Gain G (dBi)	(wideband) Peak Power P @ Antenna Port (dBm)	(wideband) Calculated Peak EIRP (P+G+X) (dBm)	Limit (dBm)
Lowest	2412	2.4	14.1	16.5	30
Middle	2437	2.4	14.1	16.5	30
Highest	2462	2.4	14.1	16.5	30

ULTRATECH GROUP OF LABS

3000 Bristol Circle, Oakville, Ontario, Canada L6H 6G4

Tel. #: 905-829-1570, Fax. #: 905-829-8050, Email: vhk.ultratech@sympatico.ca, Website: <http://www.ultratech-labs.com>

File #: GTT-013FTX

March 17, 2000

- Assessed by ITI (UK) Competent Body, NVLAP (USA) Accreditation Body & ACA/AUSTEL (Australia)
- Accredited by Industry Canada (Canada) under ACC-LAB (Europe/Canada MRA)
- Recognized/Listed by FCC (USA)
- All test results contained in this engineering test report are traceable to National Institute of Standards and Technology (NIST)

EIRP MEASUREMENTS – SUBSTITUTION METOD

- Spectrum 99% BW: B = 15.3 MHz
- Duty Cycle: X = 0 dB
- Antenna Gain = 2.4 dBi

Frequency (MHz)	E-Field in 1 MHz BW@ 3m (dBμV/m)	Antenna Polarization (V/H)	Power from Signal GEN. + Cable Loss S (dBm)	Substitution Antenna Gain G (dBi)	Measured Total Peak EIRP = S+G+10*log(BW) (dBm)	Total Average EIRP = Peak EIRP+X (dBm)
2412	102.94	V	-4.2	8.2	15.8	15.8
2412	107.03	H	-1.9	8.2	18.1	18.1
2437	104.44	V	-2.5	8.2	17.5	17.5
2437	107.28	H	-1.4	8.2	18.6	18.6
2462	99.81	V	-8.4	8.2	11.6	11.6
2462	102.25	H	-5.8	8.2	14.2	14.2

RF EXOSURE LIMIT


Transmitter Channel	Frequency (MHz)	AntennaGain G (dBi)	(wideband) Average EIRP (dBm)	Power Desity Limit (mW/cm ²)	(*) Safety Distance Limit (cm)
Lowest	2412	2.4	18.1	1.0	2.3
Middle	2437	2.4	18.6	1.0	2.4
Highest	2462	2.4	14.2	1.0	1.5

Note:

(*) RF EXPOSURE DISTANCE LIMITS: $r = (PG/4\pi S)^{1/2} = (EIRP/4\pi S)^{1/2}$

For mobile or base transmitters, the minimum RF safety distance of 20 cm from the transmitting antenna to the body of a user shall be maintained. The user’s manual shall contain the RF exposure warning as follows:

RF EXPOSURE

 **WARNING:** For compliance with the RF exposure requirements regulated by the FCC (Federal Communications Commission), the transmitter’s antenna is contained within the equipment enclosure and an additional separation distance of more than 20 cm shall be maintained between the transmitter enclosure, and any part of the user’s body.

ULTRATECH GROUP OF LABS

3000 Bristol Circle, Oakville, Ontario, Canada L6H 6G4
 Tel. #: 905-829-1570, Fax. #: 905-829-8050, Email: vhk.ultratech@sympatico.ca, Website: <http://www.ultratech-labs.com>

File #: GTT-013FTX
 March 17, 2000

- Assessed by ITI (UK) Competent Body, NVLAP (USA) Accreditation Body & ACA/AUSTEL (Australia)
- Accredited by Industry Canada (Canada) under ACC-LAB (Europe/Canada MRA)
- Recognized/Listed by FCC (USA)
- All test results contained in this engineering test report are traceable to National Institute of Standards and Technology (NIST)

6.8. SPURIOUS EMISSIONS (CONDUCTED), FCC CFR 47, PARA. 15.247(C)

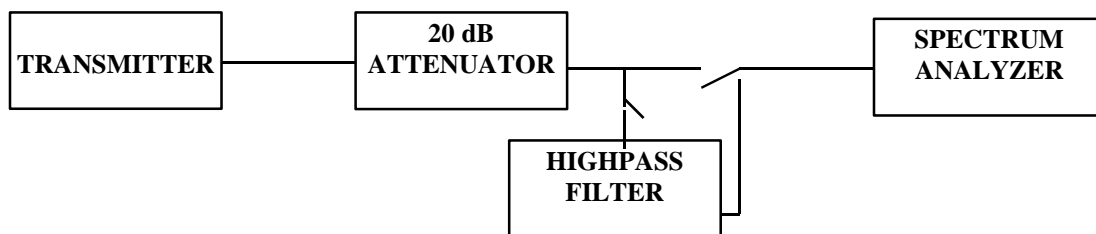
6.8.1. Limits

In any 100 KHz bandwidth outside the operating frequency band, the radio frequency power that is produced by modulation products of the spreading sequence, the information sequence and the carrier frequency shall be at least 20 dB below that in any 100 KHz bandwidth within the band that contains the highest level of the desired power.

6.8.2. Method of Measurements

Refer to Exhibit 8, Sec. 8.4 of this test report, FCC 15.247(c) & ANSI C63.4:1992

6.8.3. Test Arrangement



6.8.4. Test Equipment List

Test Instruments	Manufacturer	Model No.	Serial No.	Frequency Range
Spectrum Analyzer/ EMI Receiver	Hewlett Packard	HP 8593EM	3412A00103	9 kHz – 26.5 GHz

ULTRATECH GROUP OF LABS

3000 Bristol Circle, Oakville, Ontario, Canada L6H 6G4
 Tel. #: 905-829-1570, Fax. #: 905-829-8050, Email: vhk.ultratech@sympatico.ca, Website: <http://www.ultratech-labs.com>

File #: GTT-013FTX
 March 17, 2000

- Assessed by ITI (UK) Competent Body, NVLAP (USA) Accreditation Body & ACA/AUSTEL (Australia)
- Accredited by Industry Canada (Canada) under ACC-LAB (Europe/Canada MRA)
- Recognized/Listed by FCC (USA)
- All test results contained in this engineering test report are traceable to National Institute of Standards and Technology (NIST)

6.8.5. Test Data

6.8.5.1. Lowest Frequency (2412 MHz)

<u>Test Configuration</u> Tx Frequency: 2412 MHz Channel No.: 1 Modulation: 2 Mbps DQPSK
The emissions were scanned from 10 MHz to 25 GHz and no significant signal were found. Please refer attached plots for detailed information.

<u>Test Configuration</u> Tx Frequency: 2412 MHz Channel No.: 1 Modulation: 11 Mbps CCK
The emissions were scanned from 10 MHz to 25 GHz and no significant signal were found. Please refer attached plots for detailed information.

6.8.5.2. Middle Frequency (2437 MHz)

<u>Test Configuration</u> Tx Frequency: 2437 MHz Channel No.: 6 Modulation: 2 Mbps DQPSK
The emissions were scanned from 10 MHz to 25 GHz and no significant signal were found. Please refer attached plots for detailed information.

<u>Test Configuration</u> Tx Frequency: 2437 MHz Channel No.: 6 Modulation: 11 Mbps CCK
The emissions were scanned from 10 MHz to 25 GHz and no significant signal were found. Please refer attached plots for detailed information.

- Assessed by ITI (UK) Competent Body, NVLAP (USA) Accreditation Body & ACA/AUSTEL (Australia)
- Accredited by Industry Canada (Canada) under ACC-LAB (Europe/Canada MRA)
- Recognized/Listed by FCC (USA)
- All test results contained in this engineering test report are traceable to National Institute of Standards and Technology (NIST)

6.8.5.3. Highest Frequency (2462 MHz)

Test Configuration

Tx Frequency: 2462 MHz

Channel No.: 11

Modulation: 2 Mbps DQPSK

The emissions were scanned from 10 MHz to 25 GHz and no significant signal were found. Please refer attached plots for detailed information.

Test Configuration

Tx Frequency: 2462 MHz

Channel No.: 11

Modulation: 11 Mbps CCK

The emissions were scanned from 10 MHz to 25 GHz and no significant signal were found. Please refer attached plots for detailed information.

6.8.6. Plots

Please refer to attached Spurious Emissions Conducted plots for measurement data.

ULTRATECH GROUP OF LABS

3000 Bristol Circle, Oakville, Ontario, Canada L6H 6G4

Tel. #: 905-829-1570, Fax. #: 905-829-8050, Email: vhk.ultratech@sympatico.ca, Website: <http://www.ultratech-labs.com>

File #: GTT-013FTX
March 17, 2000

- Assessed by ITI (UK) Competent Body, NVLAP (USA) Accreditation Body & ACA/AUSTEL (Australia)
- Accredited by Industry Canada (Canada) under ACC-LAB (Europe/Canada MRA)
- Recognized/Listed by FCC (USA)
- All test results contained in this engineering test report are traceable to National Institute of Standards and Technology (NIST)

6.9. SPURIOUS EMISSIONS (RADIATED @ 3 METERS), FCC CFR 47, PARA. 15.247(C), 15.209 & 15.205

6.9.1. Limits

In any 100 KHz bandwidth outside the operating frequency band, the radio frequency power that is produced by modulation products of the spreading sequence, the information sequence and the carrier frequency shall be either at least 20 dB below that in any 100 KHz bandwidth within the band that contains the highest level of the desired power or shall not exceed the general levels specified in @ 15.209(a), which lesser attenuation.

All other emissions inside restricted bands specified in @ 15.205(a) shall not exceed the general radiated emission limits specified in @ 15.209(a)

Remarks:

- Applies to harmonics/spurious emissions that fall in the restricted bands listed in Section 15.205. The maximum permitted average field strength is listed in Section 15.209.
- @ **FCC CFR 47, Para. 15.237(c)** - The emission limits as specified above are based on measurement instrument employing an average detector. The provisions in @15.35 for limiting peak emissions apply.

FCC CFR 47, Part 15, Subpart C, Para. 15.205(a) - Restricted Frequency Bands

MHz	MHz	MHz	GHz
0.090 - 0.110	162.0125 - 167.17	2310 - 2390	9.3 - 9.5
0.49 - 0.51	167.72 - 173.2	2483.5 - 2500	10.6 - 12.7
2.1735 - 2.1905	240 - 285	2655 - 2900	13.25 - 13.4
8.362 - 8.366	322 - 335.4	3260 - 3267	14.47 - 14.5
13.36 - 13.41	399.9 - 410	3332 - 3339	14.35 - 16.2
25.5 - 25.67	608 - 614	3345.8 - 3358	17.7 - 21.4
37.5 - 38.25	960 - 1240	3600 - 4400	22.01 - 23.12
73 - 75.4	1300 - 1427	4500 - 5250	23.6 - 24.0
108 - 121.94	1435 - 1626.5	5350 - 5460	31.2 - 31.8
123 - 138	1660 - 1710	7250 - 7750	36.43 - 36.5
149.9 - 150.05	1718.8 - 1722.2	8025 - 8500	Above 38.6
156.7 - 156.9	2200 - 2300	9000 - 9200	

**FCC CFR 47, Part 15, Subpart C, Para. 15.209(a)
 -- Field Strength Limits within Restricted Frequency Bands --**

FREQUENCY (MHz)	FIELD STRENGTH LIMITS (microvolts/m)	DISTANCE (Meters)
0.009 - 0.490	2,400 / F (KHz)	300
0.490 - 1.705	24,000 / F (KHz)	30
1.705 - 30.0	30	30
30 - 88	100	3
88 - 216	150	3
216 - 960	200	3
Above 960	500	3

ULTRATECH GROUP OF LABS

3000 Bristol Circle, Oakville, Ontario, Canada L6H 6G4

Tel. #: 905-829-1570, Fax. #: 905-829-8050, Email: vhk.ultratech@sympatico.ca, Website: <http://www.ultratech-labs.com>

File #: GTT-013FTX

March 17, 2000

- Assessed by ITI (UK) Competent Body, NVLAP (USA) Accreditation Body & ACA/AUSTEL (Australia)
- Accredited by Industry Canada (Canada) under ACC-LAB (Europe/Canada MRA)
- Recognized/Listed by FCC (USA)
- All test results contained in this engineering test report are traceable to National Institute of Standards and Technology (NIST)

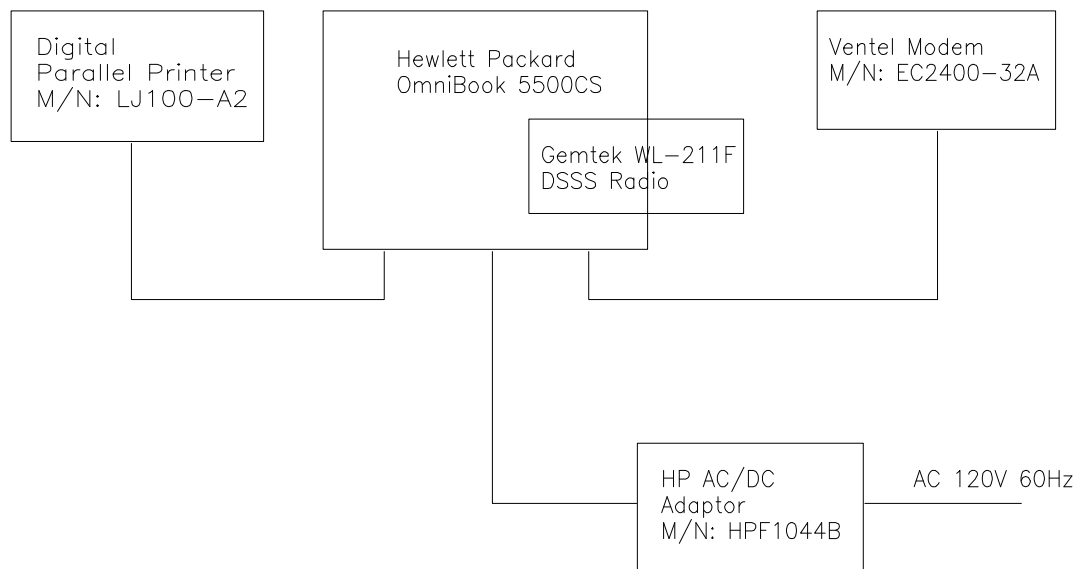
6.9.2. Method of Measurements

Refer to Exhibit 8, Sec. 8.4 of this test report and ANSI 63.4-1992, Para. 8 for detailed radiated emissions measurement procedures.

The following measurement procedures were also applied:

- Applies to harmonics/spurious that fall in the restricted bands listed in Section 15.205. the maximum permitted average field strength is listed in Section 15.209. A Pre-Amp and highpass filter are used for this measurement.
- For measurement below 1 GHz, set RBW = 100 KHz, VBW \geq 100 KHz, SWEEP=AUTO.
- For measurement above 1 GHz, set RBW = 1 MHz, VBW = 1 MHz (Peak) & VBW = 10 Hz (Average), SWEEP=AUTO.
- If the emission is pulsed, modified the unit for continuous operation, then use the settings above for measurements, then correct the reading by subtracting the peak-average correction factor derived from the appropriate duty cycle calculation. See Section 15.35(b) and (c).

6.9.3. Test Arrangement



ULTRATECH GROUP OF LABS

3000 Bristol Circle, Oakville, Ontario, Canada L6H 6G4

Tel. #: 905-829-1570, Fax. #: 905-829-8050, Email: vhk.ultratech@sympatico.ca, Website: <http://www.ultratech-labs.com>

File #: GTT-013FTX
March 17, 2000

- Assessed by ITI (UK) Competent Body, NVLAP (USA) Accreditation Body & ACA/AUSTEL (Australia)
- Accredited by Industry Canada (Canada) under ACC-LAB (Europe/Canada MRA)
- Recognized/Listed by FCC (USA)
- All test results contained in this engineering test report are traceable to National Institute of Standards and Technology (NIST)

6.9.4. Test Equipment List

Test Instruments	Manufacturer	Model No.	Serial No.	Frequency Range
Spectrum Analyzer/ EMI Receiver	Advantest	R3271	15050203	100 Hz to 32 GHz with external mixer for frequency above 32 GHz
Microwave Amplifier	Hewlett Packard	HP 83017A		1 GHz to 26.5 GHz
Biconilog Antenna	EMCO	3143	1029	20 MHz to 2 GHz
Horn Antenna	EMCO	3155	9701-5061	1 GHz – 18 GHz
Horn Antenna	EMCO	3160-09	..	18 GHz – 26.5 GHz
Horn Antenna	EMCO	3160-10	..	26.5 GHz – 40 GHz
Mixer	Tektronix	118-0098-00	..	18 GHz – 26.5 GHz
Mixer	Tektronix	119-0098-00	..	26.5 GHz – 40 GHz

6.9.5. Test Data

6.9.5.1. Lowest Frequency (2412 MHz)

<p>Test Configuration Tx Frequency: 2412 MHz Channel No.: 1 Modulation: 2 Mbps DQPSK</p>
<p>The emissions were scanned from 10 MHz to 25 GHz and no significant signal were found. Please refer attached plots for detailed information.</p>

<p>Test Configuration Tx Frequency: 2412 MHz Channel No.: 1 Modulation: 11 Mbps CCK</p>
<p>The emissions were scanned from 10 MHz to 25 GHz and no significant signal were found. Please refer attached plots for detailed information.</p>

6.9.5.2. Middle Frequency 2437 MHz)

<p>Test Configuration Tx Frequency: 2437 MHz Channel No.: 6 Modulation: 2 Mbps DQPSK</p>
<p>The emissions were scanned from 10 MHz to 25 GHz and no significant signal were found. Please refer attached plots for detailed information.</p>

<p>Test Configuration Tx Frequency: 2437 MHz Channel No.: 6 Modulation: 11 Mbps CCK</p>
<p>The emissions were scanned from 10 MHz to 25 GHz and no significant signal were found. Please refer attached plots for detailed information.</p>

- Assessed by ITI (UK) Competent Body, NVLAP (USA) Accreditation Body & ACA/AUSTEL (Australia)
- Accredited by Industry Canada (Canada) under ACC-LAB (Europe/Canada MRA)
- Recognized/Listed by FCC (USA)
- All test results contained in this engineering test report are traceable to National Institute of Standards and Technology (NIST)

6.9.5.3. Highest Frequency (2462 MHz)

Test Configuration

Tx Frequency: 2462 MHz

Channel No.: 11

Modulation: 2 Mbps DQPSK

The emissions were scanned from 10 MHz to 25 GHz and no significant signal were found. Please refer attached plots for detailed information.

Test Configuration

Tx Frequency: 2462 MHz

Channel No.: 11

Modulation: 11 Mbps CCK

The emissions were scanned from 10 MHz to 25 GHz and no significant signal were found. Please refer attached plots for detailed information.

6.9.6. Plots

Please refer to attached Spurious Emissions (Radiated) plots, which graphically represent the test results recorded in the above Test Data Table.

6.9.7. Photographs of Test Setup

Please refer to attached Spurious Emissions (Radiated) Photographs for setup and arrangement of equipment under tests and its ancillary equipment.

ULTRATECH GROUP OF LABS

3000 Bristol Circle, Oakville, Ontario, Canada L6H 6G4

Tel. #: 905-829-1570, Fax. #: 905-829-8050, Email: vhk.ultratech@sympatico.ca, Website: <http://www.ultratech-labs.com>

File #: GTT-013FTX
March 17, 2000

- Assessed by ITI (UK) Competent Body, NVLAP (USA) Accreditation Body & ACA/AUSTEL (Australia)
- Accredited by Industry Canada (Canada) under ACC-LAB (Europe/Canada MRA)
- Recognized/Listed by FCC (USA)
- All test results contained in this engineering test report are traceable to National Institute of Standards and Technology (NIST)

6.10. TRANSMITTED POWER DENSITY OF A DSSS SYSTEM, FCC CFR 47, PARA. 15.247(D)

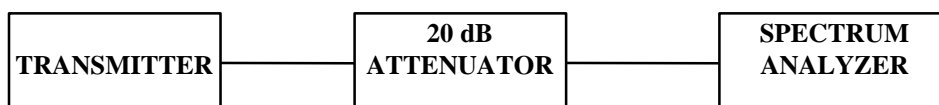
6.10.1. Limits

For a direct sequence system, the transmitted power density average over any 1 second interval shall not be greater than 8 dBm in any 3 KHz bandwidth within this band.

6.10.2. Method of Measurements

Refer to Exhibit 8, Sec. 8.5 of this test report for detailed measurement procedures

6.10.3. Test Arrangement



6.10.4. Test Equipment List

Test Instruments	Manufacturer	Model No.	Serial No.	Frequency Range
Spectrum Analyzer/ EMI Receiver	Hewlett Packard	HP 8593EM	3412A00103	9 kHz – 26.5 GHz

6.10.5. Test Data

CHANNEL NUMBER	CHANNEL FREQUENCY (MHz)	RF POWER LEVEL IN 3 KHz BW (dBm)	LIMIT (dBm)	MARGIN (dB)	COMMENTS (PASS/FAIL)
Test Configuration # 1: Modulated at 2 Mbps DQPSK					
1	2412	-15.63	8.0	-23.6	PASS
6	2437	-16.00	8.0	-24.0	PASS
11	2462	-15.50	8.0	-23.5	PASS
Test Configuration # 2: Modulated at 11 Mbps CCK					
1	2412	-15.28	8.0	-23.3	PASS
6	2437	-16.28	8.0	-24.3	PASS
11	2462	-16.09	8.0	-24.1	PASS

6.10.6. Plots

Please refer to attached Transmitted Power Density plots for measurement data.

ULTRATECH GROUP OF LABS

3000 Bristol Circle, Oakville, Ontario, Canada L6H 6G4
 Tel. #: 905-829-1570, Fax. #: 905-829-8050, Email: vhk.ultratech@sympatico.ca, Website: <http://www.ultratech-labs.com>

File #: GTT-013FTX
 March 17, 2000

- Assessed by ITI (UK) Competent Body, NVLAP (USA) Accreditation Body & ACA/AUSTEL (Australia)
- Accredited by Industry Canada (Canada) under ACC-LAB (Europe/Canada MRA)
- Recognized/Listed by FCC (USA)
- All test results contained in this engineering test report are traceable to National Institute of Standards and Technology (NIST)

6.11. PROCESSING GAIN OF A DIRECT SEQUENCE SPREAD SPECTRUM, FCC CFR 47, PARA. 15.247(E)

6.11.1. Limits

The processing gain of a direct sequence system shall be at least 10 dB. The processing gain shall be determined from the ratio in dB of the signal-to-noise ratio with the system spreading code turned off to the signal-to-noise ratio with the system spreading code turned on, as measured at the demodulated output of the receiver.

6.11.2. Method of Measurements

Refer to Exhibit 8, Sec. 8.6 of this test report for detailed measurement procedures.

6.11.3. Theoretical Process Gain for CCK Modulation

This method is written by:

CARL ANDREN
INTERSIL CORPORATION
JANUARY 11, 2000
CANDREN@INTERSIL.COM
321-724-7535

In the case of CCK modulation at higher data rate, the Chip Rate/Symbol Rate (8 dB) is not an actual Process Gain since it is a combination of both Process gain and Coding Gain. The formula true formula for Processing Gain calculation will be based on the CW Jamming Margin. Please refer to the attached theoretical Process Gain calculation written by Mr. Carl Andren at Intersil Corporation for details.

SCOPE:

This report presents the test procedure, test configuration and test data associated with a FCC Part 15.247 (e) Jamming Margin test for the indirect measurement of processing gain.

APPLICABLE REFERENCE DOCUMENTS:

1. "Operation within the bands 902-928 MHz, 2400-2483.5, and 5725-5850 MHz" *Title 47 Part 15 section 247 (e) Code of Federal Regulations. (47 CFR 15.247).*
2. "Report and Order: Amendment of Parts 2 and 15 of the Commission's Rules Regarding Spread Spectrum Transmitters. Appendix C: 'Guidance on Measurements for Direct Sequence Spread Spectrum Systems" *FCC 97-114. ET Docket No. 96-8, RM-8435, RM-8608, RM-8609.*
3. "HFA3861A Direct Sequence Spread Spectrum Baseband Processor" *Harris Corporation Semiconductor Sector Preliminary Data Sheet*, Melbourne FL, July 1999.
4. "M-ary Orthogonal Keying BER Curve",

ULTRATECH GROUP OF LABS

3000 Bristol Circle, Oakville, Ontario, Canada L6H 6G4

Tel. #: 905-829-1570, Fax. #: 905-829-8050, Email: vhk.ultratech@sympatico.ca, Website: <http://www.ultratech-labs.com>

File #: GTT-013FTX
March 17, 2000

- Assessed by ITI (UK) Competent Body, NVLAP (USA) Accreditation Body & ACA/AUSTEL (Australia)
- Accredited by Industry Canada (Canada) under ACC-LAB (Europe/Canada MRA)
- Recognized/Listed by FCC (USA)
- All test results contained in this engineering test report are traceable to National Institute of Standards and Technology (NIST)

TEST BACKGROUND AND PROCEDURE.

According to FCC regulations [1], a direct sequence spread spectrum system must have a processing gain, G_p of at least 10 dB. Compliance to this requirement can be shown by demonstrating a relative bit-error-ratio (BER) performance improvement (and corresponding signal to noise ratio per symbol improvement of at least 10 dB) between the case where spread spectrum processes (coding, modulation) are engaged relative to the processes being bypassed. In some practical systems, the spread spectrum processing cannot simply be bypassed. In these cases, the processing gain can be indirectly measured by a jamming margin test [2]. In accordance with the new NPRM 99-231, if the vendor has a system with less than 10 chips per symbol, the CW jamming results must be supported by a theoretical explanation of the system processing gain.

THEORETICAL CALCULATIONS

The processing gain is related to the jamming margin as follows [2]:

$$G_p = \left(\frac{S}{N} \right)_{output} + \left(\frac{J}{S} \right) + L_{system}$$

Where $BER_{REFERENCE}$ is the reference bit error ratio with its corresponding, theoretical output signal to noise ratio per symbol, $(S/N)_{output}$, (J/S) is the jamming margin (jamming signal power relative to desired signal power), and L_{system} are the system implementation losses.

The maximum allowed total system implementation loss is 2 dB.

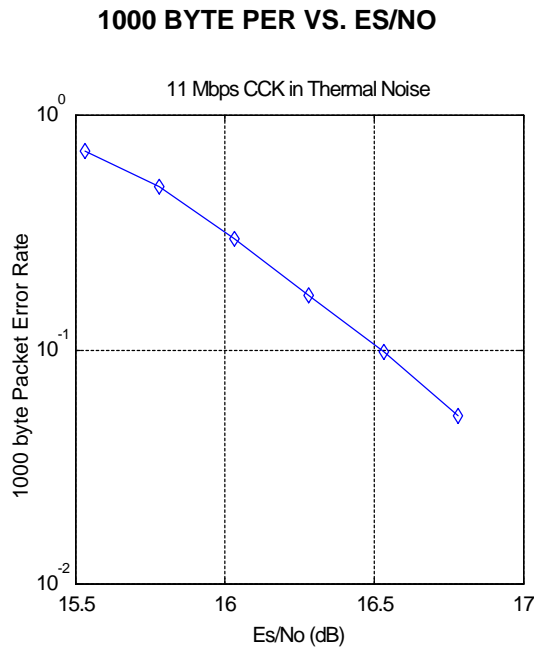
The HFA3861A direct sequence spread spectrum baseband processor uses CCK modulation which is a form of M-ary Orthogonal Keying. The BER performance curve is given by [5]:

“ The probability of error for generalized M-ary Orthogonal signaling using coherent demodulation is given by:

$$P_e = 1 - P_{c1} = 1 - \frac{1}{\sqrt{2p}} \int_{-\frac{S_{01}}{N_0}}^{\infty} \left[2(1 - Q\left\{ z + \sqrt{2 \frac{E_b}{h}} \right\} \right)^{\frac{M-1}{2}} \exp\left\{ -\frac{z^2}{2} \right\} dz$$

- Assessed by ITI (UK) Competent Body, NVLAP (USA) Accreditation Body & ACA/AUSTEL (Australia)
- Accredited by Industry Canada (Canada) under ACC-LAB (Europe/Canada MRA)
- Recognized/Listed by FCC (USA)
- All test results contained in this engineering test report are traceable to National Institute of Standards and Technology (NIST)

This integral cannot be solved in closed form, and numerical integration must be used. There are error rate extensions for differential decoding and descrambling that are also to be accounted for. This is done in a MATHCAD environment and is displayed in graphical format below.



The reference PER is specified as 8% . The corresponding Es/No (signal to noise ratio per symbol) is 16.4 dB. The Es/No required to achieve the desired BER with maximum system implementation losses is 18.4 dB. The minimum processing gain is again, 10 dB, therefore:

$$G_p = \left(\frac{E_s}{N_o} \right)_{output} + \left(\frac{J}{S} \right) + L_{system} = 16.4dB + 2.0dB + \left(\frac{J}{S} \right) \geq 10dB$$

$$G_p = 18.4dB + \left(\frac{J}{S} \right) \geq 10dB$$

The minimum jammer to signal ratio is as follows:

$$\left(\frac{J}{S} \right) \geq -8.4dB$$

- Assessed by ITI (UK) Competent Body, NVLAP (USA) Accreditation Body & ACA/AUSTEL (Australia)
- Accredited by Industry Canada (Canada) under ACC-LAB (Europe/Canada MRA)
- Recognized/Listed by FCC (USA)
- All test results contained in this engineering test report are traceable to National Institute of Standards and Technology (NIST)

For the case of the HFA3861A, the bit rates are 1, 2, 5.5, and 11 Mbps. The corresponding symbol rates are 1, 1, 1.375, and 1.375 MSps. The chip rate is always 11 MCps, so the ratio of chip rate to symbol rate is 11:1 for the 1 and 2 Mbps rates and 8:1 for the 5.5 and 11 Mbps rates. Since the symbol rate to bit rate is less than 10 for the higher rates, we supply the theoretical processing gain calculation for these cases where spread spectrum processing gain with embedded coding gain is utilized. This is reasonable in that they cannot be separated in the demodulation process. If a separable FEC coding scheme were used, we would not be comfortable making this assertion.

As can be seen from the curve of figure 1, the E_s/N_0 is 16.4 dB at the PER of 8%. This PER can be related to a BER of $1e-5$ on 1000 byte packets. With 8 bits per symbol, the E_b/N_0 is then 7.4 dB or 9 dB less than the E_s/N_0 . It is well known that the E_b/N_0 of BPSK is 9.6 dB for $1e-5$ BER, so therefore the coding gain of CCK over BPSK is 2.2 dB. We add this to the processing gain of 9 dB to get 11.2 dB overall processing gain for the CW jammer test.

Taking the calculations above, if the $\left(\frac{J}{S}\right) \geq -8.4 \text{ dB}$ then the equipment passes the CW jamming test.

6.11.4. Test Equipment List

- Advantest Spectrum Analyzer, Model R3271, S/N: 15050203
- HP Synthesized Sweeper, Model HP83752B, S/N: 3610A00457, Freq. Range: 10 kHz – 20 GHz.
- HP 8900 RF Peak Power Meter, Measuring Frequency Range: 100 MHz - 18 GHz.
- HP 1645A Data Error Analyzer

ULTRATECH GROUP OF LABS

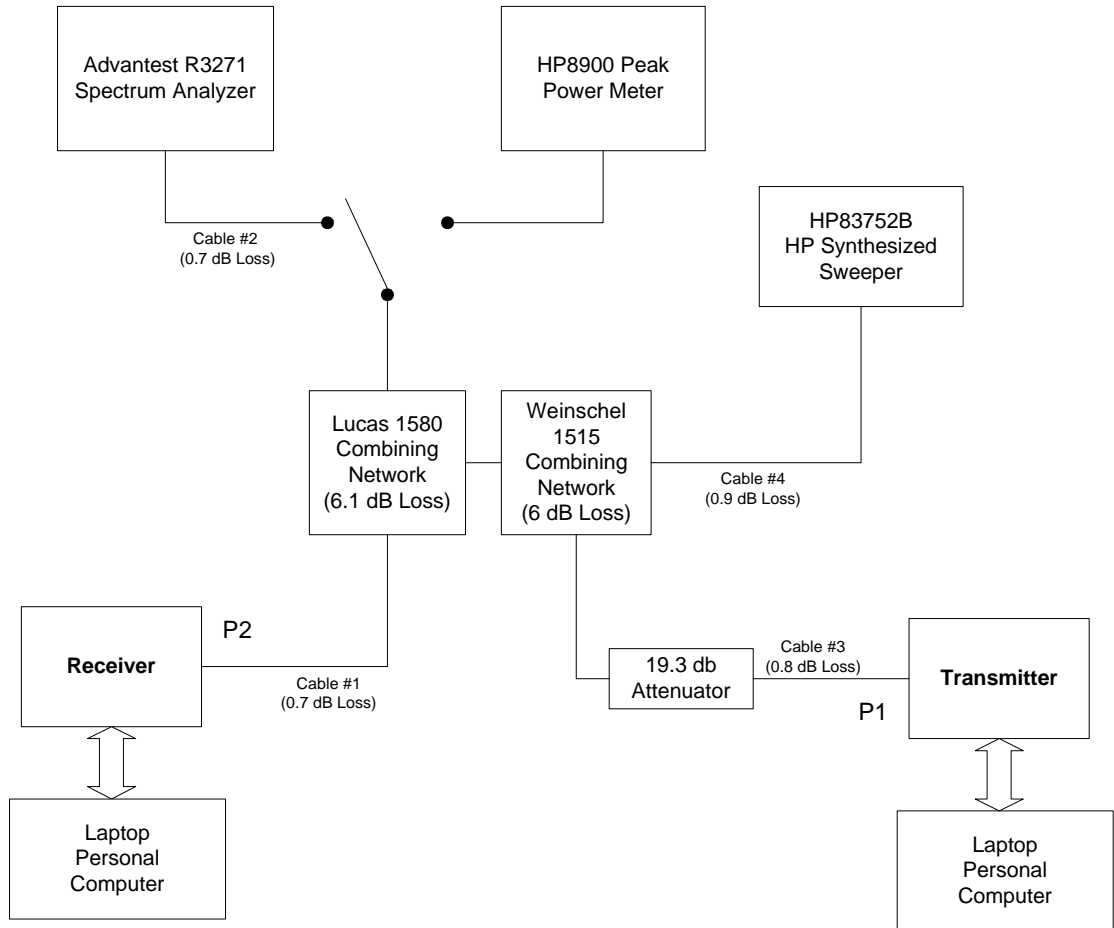
3000 Bristol Circle, Oakville, Ontario, Canada L6H 6G4

Tel. #: 905-829-1570, Fax. #: 905-829-8050, Email: vhk.ultratech@sympatico.ca, Website: <http://www.ultratech-labs.com>

File #: GTT-013FTX
March 17, 2000

- Assessed by ITI (UK) Competent Body, NVLAP (USA) Accreditation Body & ACA/AUSTEL (Australia)
- Accredited by Industry Canada (Canada) under ACC-LAB (Europe/Canada MRA)
- Recognized/Listed by FCC (USA)
- All test results contained in this engineering test report are traceable to National Institute of Standards and Technology (NIST)

6.11.5. Test Arrangement



Loss from P1 to P2 = 32.9

ULTRATECH GROUP OF LABS

3000 Bristol Circle, Oakville, Ontario, Canada L6H 6G4

Tel. #: 905-829-1570, Fax. #: 905-829-8050, Email: vhk.ultratech@sympatico.ca, Website: <http://www.ultratech-labs.com>

File #: GTT-013FTX

March 17, 2000

- Assessed by ITI (UK) Competent Body, NVLAP (USA) Accreditation Body & ACA/AUSTEL (Australia)
- Accredited by Industry Canada (Canada) under ACC-LAB (Europe/Canada MRA)
- Recognized/Listed by FCC (USA)
- All test results contained in this engineering test report are traceable to National Institute of Standards and Technology (NIST)

6.11.6. Test Data

NOTE: Since the software is not available for testing the BER in the receiver continuous mode, it is not possible to measure the BER during tests, the PER was measured instead. The PER = 8% is equivalent to BER=10⁻⁵ per Intersil's documents, please see attached explanation.

6.11.6.1. Test Configuration #1:

Data Modulation: DBPSK
 Data Rate or Bit Rate: 1 Mb/s,
 Symbol Rate: 1 MS/s
 Chip Rate: 11 MC/s
 Chip Rate /Symbol Rate: 11:1

Theoretical Process Gain = Chip Rate/Symbol Rate = 11
Measured Minimum Process Gain = 10.2 dB

Test Point	Jammer Signal Freq. +/- Fc (MHz)	(PER) (Approx.) (%)	(S/N) _o for DBPSK @ 1 Mb/s (dB)	System Loss L _{sys} (dB)	Jammer to Signal Ratio M _j (dB)	Measured Processing Gain (dB)
1	5.00000	8.0	11.2	2.0	-3.4	9.8
2	4.95000	8.0	11.2	2.0	-3.3	9.9
3	4.90000	8.0	11.2	2.0	-3.2	10.0
4	4.85000	8.0	11.2	2.0	-3.3	9.9
5	4.80000	8.0	11.2	2.0	-3.4	9.8
6	4.75000	8.0	11.2	2.0	-3.1	10.1
7	4.70000	8.0	11.2	2.0	-3.0	10.2
8	4.65000	8.0	11.2	2.0	-2.9	10.3
9	4.60000	8.0	11.2	2.0	-2.7	10.5
10	4.55000	8.0	11.2	2.0	-2.8	10.4
11	4.50000	8.0	11.2	2.0	-2.7	10.5
12	4.45000	8.0	11.2	2.0	-2.8	10.4
13	4.40000	8.0	11.2	2.0	-2.7	10.5
14	4.35000	8.0	11.2	2.0	-2.9	10.3
15	4.30000	8.0	11.2	2.0	-2.8	10.4
16	4.25000	8.0	11.2	2.0	-2.6	10.6
17	4.20000	8.0	11.2	2.0	-2.7	10.5
18	4.15000	8.0	11.2	2.0	-2.8	10.4
19	4.10000	8.0	11.2	2.0	-2.9	10.3
20	4.05000	8.0	11.2	2.0	-2.9	10.3
21	4.00000	8.0	11.2	2.0	-2.9	10.3
22	3.95000	8.0	11.2	2.0	-3.0	10.2
23	3.90000	8.0	11.2	2.0	-3.1	10.1
24	3.85000	8.0	11.2	2.0	-3.0	10.2

Continued ...

ULTRATECH GROUP OF LABS

3000 Bristol Circle, Oakville, Ontario, Canada L6H 6G4

Tel. #: 905-829-1570, Fax. #: 905-829-8050, Email: vhk.ultratech@sympatico.ca, Website: <http://www.ultratech-labs.com>

File #: GTT-013FTX
 March 17, 2000

- Assessed by ITI (UK) Competent Body, NVLAP (USA) Accreditation Body & ACA/AUSTEL (Australia)
- Accredited by Industry Canada (Canada) under ACC-LAB (Europe/Canada MRA)
- Recognized/Listed by FCC (USA)
- All test results contained in this engineering test report are traceable to National Institute of Standards and Technology (NIST)

Test Point	Jammer Signal Freq. +/- Fc (MHz)	(PER) (Approx.) (%)	(S/N)o for DBPSK @ 1 Mb/s (dB)	System Loss Lsys (dB)	Jammer to Signal Ratio Mj (dB)	Measured Processing Gain (dB)
25	3.80000	8.0	11.2	2.0	-2.9	10.3
26	3.75000	8.0	11.2	2.0	-2.9	10.3
27	3.70000	8.0	11.2	2.0	-3.0	10.2
28	3.65000	8.0	11.2	2.0	-2.9	10.3
29	3.60000	8.0	11.2	2.0	2.0	15.2
30	3.55000	8.0	11.2	2.0	-2.9	10.3
31	3.50000	8.0	11.2	2.0	-3.0	10.2
32	3.45000	8.0	11.2	2.0	-2.8	10.4
33	3.40000	8.0	11.2	2.0	-2.9	10.3
34	3.35000	8.0	11.2	2.0	-3.1	10.1
35	3.30000	8.0	11.2	2.0	-3.0	10.2
36	3.25000	8.0	11.2	2.0	-2.8	10.4
37	3.20000	8.0	11.2	2.0	-2.7	10.5
38	3.15000	8.0	11.2	2.0	-2.8	10.4
39	3.10000	8.0	11.2	2.0	-2.7	10.5
40	3.05000	8.0	11.2	2.0	-2.6	10.6
41	3.00000	8.0	11.2	2.0	-2.6	10.6
42	2.95000	8.0	11.2	2.0	-2.6	10.6
43	2.90000	8.0	11.2	2.0	-2.6	10.6
44	2.85000	8.0	11.2	2.0	-2.7	10.5
45	2.80000	8.0	11.2	2.0	-2.8	10.4
46	2.75000	8.0	11.2	2.0	-2.7	10.5
47	2.70000	8.0	11.2	2.0	-2.8	10.4
48	2.65000	8.0	11.2	2.0	-2.8	10.4
49	2.60000	8.0	11.2	2.0	-2.7	10.5
50	2.55000	8.0	11.2	2.0	-2.8	10.4
51	2.50000	8.0	11.2	2.0	-2.8	10.4
52	2.45000	8.0	11.2	2.0	-2.8	10.4
53	2.40000	8.0	11.2	2.0	-2.9	10.3
54	2.35000	8.0	11.2	2.0	-2.7	10.5
55	2.30000	8.0	11.2	2.0	-2.6	10.6
56	2.25000	8.0	11.2	2.0	-2.8	10.4
57	2.20000	8.0	11.2	2.0	-2.7	10.5
58	2.15000	8.0	11.2	2.0	-2.7	10.5
59	2.10000	8.0	11.2	2.0	-2.8	10.4
60	2.05000	8.0	11.2	2.0	-2.8	10.4
61	2.00000	8.0	11.2	2.0	-2.8	10.4
62	1.95000	8.0	11.2	2.0	-2.7	10.5
63	1.90000	8.0	11.2	2.0	-2.7	10.5

Continued..

ULTRATECH GROUP OF LABS

3000 Bristol Circle, Oakville, Ontario, Canada L6H 6G4

Tel. #: 905-829-1570, Fax. #: 905-829-8050, Email: vhk.ultratech@sympatico.ca, Website: <http://www.ultratech-labs.com>

File #: GTT-013FTX

March 17, 2000

- Assessed by ITI (UK) Competent Body, NVLAP (USA) Accreditation Body & ACA/AUSTEL (Australia)
- Accredited by Industry Canada (Canada) under ACC-LAB (Europe/Canada MRA)
- Recognized/Listed by FCC (USA)
- All test results contained in this engineering test report are traceable to National Institute of Standards and Technology (NIST)

Test Point	Jammer Signal Freq. +/- Fc (MHz)	(PER) (Approx.) (%)	(S/N) _o for DBPSK @ 1 Mb/s (dB)	System Loss L _{sys} (dB)	Jammer to Signal Ratio M _j (dB)	Measured Processing Gain (dB)
64	1.85000	8.0	11.2	2.0	-2.6	10.6
65	1.80000	8.0	11.2	2.0	-2.8	10.4
66	1.75000	8.0	11.2	2.0	-2.8	10.4
67	1.70000	8.0	11.2	2.0	-2.8	10.4
68	1.65000	8.0	11.2	2.0	-2.7	10.5
69	1.60000	8.0	11.2	2.0	-2.7	10.5
70	1.55000	8.0	11.2	2.0	-2.6	10.6
71	1.50000	8.0	11.2	2.0	-2.7	10.5
72	1.45000	8.0	11.2	2.0	-2.7	10.5
73	1.40000	8.0	11.2	2.0	-2.8	10.4
74	1.35000	8.0	11.2	2.0	-2.9	10.3
75	1.30000	8.0	11.2	2.0	-3.0	10.2
76	1.25000	8.0	11.2	2.0	-2.9	10.3
77	1.20000	8.0	11.2	2.0	-3.1	10.1
78	1.15000	8.0	11.2	2.0	-3.0	10.2
79	1.10000	8.0	11.2	2.0	-3.0	10.2
80	1.05000	8.0	11.2	2.0	-3.0	10.2
81	1.00000	8.0	11.2	2.0	-3.0	10.2
82	0.95000	8.0	11.2	2.0	-3.0	10.2
83	0.90000	8.0	11.2	2.0	-3.0	10.2
84	0.85000	8.0	11.2	2.0	-2.6	10.6
85	0.80000	8.0	11.2	2.0	-2.8	10.4
86	0.75000	8.0	11.2	2.0	-2.9	10.3
87	0.70000	8.0	11.2	2.0	-2.7	10.5
88	0.65000	8.0	11.2	2.0	-2.5	10.7
89	0.60000	8.0	11.2	2.0	-2.9	10.3
90	0.55000	8.0	11.2	2.0	-2.9	10.3
91	0.50000	8.0	11.2	2.0	-2.8	10.4
92	0.45000	8.0	11.2	2.0	-2.9	10.3
93	0.40000	8.0	11.2	2.0	-2.2	11.0
94	0.35000	8.0	11.2	2.0	-2.7	10.5
95	0.30000	8.0	11.2	2.0	-2.3	10.9
96	0.25000	8.0	11.2	2.0	-1.2	12.0
97	0.20000	8.0	11.2	2.0	-0.7	12.5
98	0.15000	8.0	11.2	2.0	0.8	14.0
99	0.10000	8.0	11.2	2.0	0.9	14.1
100	0.05000	8.0	11.2	2.0	1.3	14.5
101	0.00000	8.0	11.2	2.0	1.2	14.4
102	-0.05000	8.0	11.2	2.0	1.9	15.1

Continued..

ULTRATECH GROUP OF LABS

3000 Bristol Circle, Oakville, Ontario, Canada L6H 6G4

Tel. #: 905-829-1570, Fax. #: 905-829-8050, Email: vhk.ultratech@sympatico.ca, Website: <http://www.ultratech-labs.com>

File #: GTT-013FTX

March 17, 2000

- Assessed by ITI (UK) Competent Body, NVLAP (USA) Accreditation Body & ACA/AUSTEL (Australia)
- Accredited by Industry Canada (Canada) under ACC-LAB (Europe/Canada MRA)
- Recognized/Listed by FCC (USA)
- All test results contained in this engineering test report are traceable to National Institute of Standards and Technology (NIST)

Test Point	Jammer Signal Freq. +/- Fc (MHz)	(PER) (Approx.) (%)	(S/N) _o for DBPSK @ 1 Mb/s (dB)	System Loss L _{sys} (dB)	Jammer to Signal Ratio M _j (dB)	Measured Processing Gain (dB)
103	-0.10000	8.0	11.2	2.0	1.0	14.2
104	-0.15000	8.0	11.2	2.0	0.8	14.0
105	-0.20000	8.0	11.2	2.0	-0.1	13.1
106	-0.25000	8.0	11.2	2.0	-0.6	12.6
107	-0.30000	8.0	11.2	2.0	-2.1	11.1
108	-0.35000	8.0	11.2	2.0	-2.4	10.8
109	-0.40000	8.0	11.2	2.0	-2.6	10.6
110	-0.45000	8.0	11.2	2.0	-2.8	10.4
111	-0.50000	8.0	11.2	2.0	-2.8	10.4
112	-0.55000	8.0	11.2	2.0	-2.7	10.5
113	-0.60000	8.0	11.2	2.0	-2.5	10.7
114	-0.65000	8.0	11.2	2.0	-2.3	10.9
115	-0.70000	8.0	11.2	2.0	-2.8	10.4
116	-0.75000	8.0	11.2	2.0	-2.9	10.3
117	-0.80000	8.0	11.2	2.0	-2.4	10.8
118	-0.85000	8.0	11.2	2.0	-2.3	10.9
119	-0.90000	8.0	11.2	2.0	-2.2	11.0
120	-0.95000	8.0	11.2	2.0	-2.1	11.1
121	-1.00000	8.0	11.2	2.0	-2.4	10.8
122	-1.05000	8.0	11.2	2.0	-2.4	10.8
123	-1.10000	8.0	11.2	2.0	-2.5	10.7
124	-1.15000	8.0	11.2	2.0	-2.4	10.8
125	-1.20000	8.0	11.2	2.0	-2.3	10.9
126	-1.25000	8.0	11.2	2.0	-2.2	11.0
127	-1.30000	8.0	11.2	2.0	-2.5	10.7
128	-1.35000	8.0	11.2	2.0	-2.4	10.8
129	-1.40000	8.0	11.2	2.0	-2.7	10.5
130	-1.45000	8.0	11.2	2.0	-2.8	10.4
131	-1.50000	8.0	11.2	2.0	-2.8	10.4
132	-1.55000	8.0	11.2	2.0	-2.8	10.4
133	-1.60000	8.0	11.2	2.0	-2.9	10.3
134	-1.65000	8.0	11.2	2.0	-3.0	10.2
135	-1.70000	8.0	11.2	2.0	-3.1	10.1
136	-1.75000	8.0	11.2	2.0	-2.9	10.3
137	-1.80000	8.0	11.2	2.0	-3.0	10.2
138	-1.85000	8.0	11.2	2.0	-3.1	10.1
139	-1.90000	8.0	11.2	2.0	-3.0	10.2
140	-1.95000	8.0	11.2	2.0	-3.1	10.1
141	-2.00000	8.0	11.2	2.0	-3.1	10.1

Continued..

ULTRATECH GROUP OF LABS

3000 Bristol Circle, Oakville, Ontario, Canada L6H 6G4

Tel. #: 905-829-1570, Fax. #: 905-829-8050, Email: vhk.ultratech@sympatico.ca, Website: <http://www.ultratech-labs.com>

File #: GTT-013FTX

March 17, 2000

- Assessed by ITI (UK) Competent Body, NVLAP (USA) Accreditation Body & ACA/AUSTEL (Australia)
- Accredited by Industry Canada (Canada) under ACC-LAB (Europe/Canada MRA)
- Recognized/Listed by FCC (USA)
- All test results contained in this engineering test report are traceable to National Institute of Standards and Technology (NIST)

Test Point	Jammer Signal Freq. +/- Fc (MHz)	(PER) (Approx.) (%)	(S/N) _o for DBPSK @ 1 Mb/s (dB)	System Loss L _{sys} (dB)	Jammer to Signal Ratio M _j (dB)	Measured Processing Gain (dB)
142	-2.05000	8.0	11.2	2.0	-3.2	10.0
143	-2.10000	8.0	11.2	2.0	-3.0	10.2
144	-2.15000	8.0	11.2	2.0	-2.9	10.3
145	-2.20000	8.0	11.2	2.0	-2.8	10.4
146	-2.25000	8.0	11.2	2.0	-2.7	10.5
147	-2.30000	8.0	11.2	2.0	-2.6	10.6
148	-2.35000	8.0	11.2	2.0	-2.9	10.3
149	-2.40000	8.0	11.2	2.0	-3.0	10.2
150	-2.45000	8.0	11.2	2.0	-3.0	10.2
151	-2.50000	8.0	11.2	2.0	-3.0	10.2
152	-2.55000	8.0	11.2	2.0	-3.0	10.2
153	-2.60000	8.0	11.2	2.0	-3.0	10.2
154	-2.65000	8.0	11.2	2.0	-3.1	10.1
155	-2.70000	8.0	11.2	2.0	-3.2	10.0
156	-2.75000	8.0	11.2	2.0	-2.9	10.3
157	-2.80000	8.0	11.2	2.0	-3.0	10.2
158	-2.85000	8.0	11.2	2.0	-3.1	10.1
159	-2.90000	8.0	11.2	2.0	-3.0	10.2
160	-2.95000	8.0	11.2	2.0	-3.0	10.2
161	-3.00000	8.0	11.2	2.0	-3.0	10.2
162	-3.05000	8.0	11.2	2.0	-3.0	10.2
163	-3.10000	8.0	11.2	2.0	-3.0	10.2
164	-3.15000	8.0	11.2	2.0	-3.0	10.2
165	-3.20000	8.0	11.2	2.0	-3.2	10.0
166	-3.25000	8.0	11.2	2.0	-3.2	10.0
167	-3.30000	8.0	11.2	2.0	-3.1	10.1
168	-3.35000	8.0	11.2	2.0	-3.1	10.1
169	-3.40000	8.0	11.2	2.0	-3.1	10.1
170	-3.45000	8.0	11.2	2.0	-3.2	10.0
171	-3.50000	8.0	11.2	2.0	-3.2	10.0
172	-3.55000	8.0	11.2	2.0	-3.2	10.0
173	-3.60000	8.0	11.2	2.0	-3.3	9.9
174	-3.65000	8.0	11.2	2.0	-3.4	9.8
175	-3.70000	8.0	11.2	2.0	-3.0	10.2
176	-3.75000	8.0	11.2	2.0	-3.1	10.1
177	-3.80000	8.0	11.2	2.0	-3.0	10.2
178	-3.85000	8.0	11.2	2.0	-3.0	10.2
179	-3.90000	8.0	11.2	2.0	-3.0	10.2
180	-3.95000	8.0	11.2	2.0	-3.0	10.2

Continued..

ULTRATECH GROUP OF LABS

3000 Bristol Circle, Oakville, Ontario, Canada L6H 6G4

Tel. #: 905-829-1570, Fax. #: 905-829-8050, Email: vhk.ultratech@sympatico.ca, Website: <http://www.ultratech-labs.com>

File #: GTT-013FTX

March 17, 2000

- Assessed by ITI (UK) Competent Body, NVLAP (USA) Accreditation Body & ACA/AUSTEL (Australia)
- Accredited by Industry Canada (Canada) under ACC-LAB (Europe/Canada MRA)
- Recognized/Listed by FCC (USA)
- All test results contained in this engineering test report are traceable to National Institute of Standards and Technology (NIST)

Test Point	Jammer Signal Freq. +/- Fc (MHz)	(PER) (Approx.) (%)	(S/N) _o for DBPSK @ 1 Mb/s (dB)	System Loss L _{sys} (dB)	Jammer to Signal Ratio M _j (dB)	Measured Processing Gain (dB)
181	-4.00000	8.0	11.2	2.0	-3.0	10.2
182	-4.05000	8.0	11.2	2.0	-3.0	10.2
183	-4.10000	8.0	11.2	2.0	-2.9	10.3
184	-4.15000	8.0	11.2	2.0	-2.8	10.4
185	-4.20000	8.0	11.2	2.0	-3.0	10.2
186	-4.25000	8.0	11.2	2.0	-2.9	10.3
187	-4.30000	8.0	11.2	2.0	-2.8	10.4
188	-4.35000	8.0	11.2	2.0	-2.9	10.3
189	-4.40000	8.0	11.2	2.0	-3.0	10.2
190	-4.45000	8.0	11.2	2.0	-3.0	10.2
191	-4.50000	8.0	11.2	2.0	-2.9	10.3
192	-4.55000	8.0	11.2	2.0	-2.9	10.3
193	-4.60000	8.0	11.2	2.0	-2.9	10.3
194	-4.65000	8.0	11.2	2.0	-2.8	10.4
195	-4.70000	8.0	11.2	2.0	-2.7	10.5
196	-4.75000	8.0	11.2	2.0	-2.8	10.4
197	-4.80000	8.0	11.2	2.0	-2.9	10.3
198	-4.85000	8.0	11.2	2.0	-3.0	10.2
199	-4.90000	8.0	11.2	2.0	-2.9	10.3
200	-4.95000	8.0	11.2	2.0	-2.8	10.4
201	-5.00000	8.0	11.2	2.0	-2.9	10.3

Shaded Area: 20 % discarded worst Process Gain measurements

ULTRATECH GROUP OF LABS

3000 Bristol Circle, Oakville, Ontario, Canada L6H 6G4

Tel. #: 905-829-1570, Fax. #: 905-829-8050, Email: vhk.ultratech@sympatico.ca, Website: <http://www.ultratech-labs.com>

File #: GTT-013FTX

March 17, 2000

- Assessed by ITI (UK) Competent Body, NVLAP (USA) Accreditation Body & ACA/AUSTEL (Australia)
- Accredited by Industry Canada (Canada) under ACC-LAB (Europe/Canada MRA)
- Recognized/Listed by FCC (USA)
- All test results contained in this engineering test report are traceable to National Institute of Standards and Technology (NIST)

6.11.6.2. Test Configuration #2:

Data Modulation: DQPSK
 Data Rate or Bit Rate: 2 Mb/s,
 Symbol Rate: 1 MS/s
 Chip Rate: 11 MC/s
 Chip/Symbol Rate: 11:1

Theoretical Process Gain = Chip Rate/Symbol Rate = 11
Measured Minimum Process Gain = 10.5 dB

Test Point	Jammer Signal Freq. +/- Fc (MHz)	(PER) (Approx.) (%)	(S/N) _o for DQPSK @ 2 Mb/s (dB)	System Loss L _{sys} (dB)	Jammer to Signal Ratio M _j (dB)	Measured Processing Gain (dB)
1	5.00000	8.0	12.0	2.0	1.5	15.5
2	4.95000	8.0	12.0	2.0	-2.1	11.9
3	4.90000	8.0	12.0	2.0	-2.0	12.0
4	4.85000	8.0	12.0	2.0	-2.0	12.0
5	4.80000	8.0	12.0	2.0	-2.1	11.9
6	4.75000	8.0	12.0	2.0	-2.1	11.9
7	4.70000	8.0	12.0	2.0	-2.3	11.7
8	4.65000	8.0	12.0	2.0	-2.1	11.9
9	4.60000	8.0	12.0	2.0	-2.2	11.8
10	4.55000	8.0	12.0	2.0	-2.3	11.7
11	4.50000	8.0	12.0	2.0	-2.3	11.7
12	4.45000	8.0	12.0	2.0	-2.2	11.8
13	4.40000	8.0	12.0	2.0	-2.2	11.8
14	4.35000	8.0	12.0	2.0	-2.4	11.6
15	4.30000	8.0	12.0	2.0	-2.3	11.7
16	4.25000	8.0	12.0	2.0	-2.4	11.6
17	4.20000	8.0	12.0	2.0	-2.4	11.6
18	4.15000	8.0	12.0	2.0	-2.5	11.5
19	4.10000	8.0	12.0	2.0	-2.6	11.4
20	4.05000	8.0	12.0	2.0	-2.5	11.5
21	4.00000	8.0	12.0	2.0	-2.7	11.3
22	3.95000	8.0	12.0	2.0	-2.8	11.2
23	3.90000	8.0	12.0	2.0	-2.6	11.4
24	3.85000	8.0	12.0	2.0	-2.5	11.5
25	3.80000	8.0	12.0	2.0	-2.5	11.5
26	3.75000	8.0	12.0	2.0	-2.4	11.6
27	3.70000	8.0	12.0	2.0	-2.3	11.7
28	3.65000	8.0	12.0	2.0	-2.2	11.8
29	3.60000	8.0	12.0	2.0	-2.1	11.9

Continued..

ULTRATECH GROUP OF LABS

3000 Bristol Circle, Oakville, Ontario, Canada L6H 6G4

Tel. #: 905-829-1570, Fax. #: 905-829-8050, Email: vhk.ultratech@sympatico.ca, Website: <http://www.ultratech-labs.com>

File #: GTT-013FTX

March 17, 2000

- Assessed by ITI (UK) Competent Body, NVLAP (USA) Accreditation Body & ACA/AUSTEL (Australia)
- Accredited by Industry Canada (Canada) under ACC-LAB (Europe/Canada MRA)
- Recognized/Listed by FCC (USA)
- All test results contained in this engineering test report are traceable to National Institute of Standards and Technology (NIST)

Test Point	Jammer Signal Freq. +/- Fc (MHz)	(PER) (Approx.) (%)	(S/N) _o for DQPSK @ 2 Mb/s (dB)	System Loss L _{sys} (dB)	Jammer to Signal Ratio M _j (dB)	Measured Processing Gain (dB)
30	3.55000	8.0	12.0	2.0	-2.0	12.0
31	3.50000	8.0	12.0	2.0	-2.2	11.8
32	3.45000	8.0	12.0	2.0	-2.1	11.9
33	3.40000	8.0	12.0	2.0	-2.0	12.0
34	3.35000	8.0	12.0	2.0	-1.9	12.1
35	3.30000	8.0	12.0	2.0	-1.8	12.2
36	3.25000	8.0	12.0	2.0	-1.7	12.3
37	3.20000	8.0	12.0	2.0	-1.7	12.3
38	3.15000	8.0	12.0	2.0	-2.0	12.0
39	3.10000	8.0	12.0	2.0	-2.2	11.8
40	3.05000	8.0	12.0	2.0	-2.3	11.7
41	3.00000	8.0	12.0	2.0	-2.2	11.8
42	2.95000	8.0	12.0	2.0	-2.8	11.2
43	2.90000	8.0	12.0	2.0	-2.7	11.3
44	2.85000	8.0	12.0	2.0	-2.6	11.4
45	2.80000	8.0	12.0	2.0	-2.5	11.5
46	2.75000	8.0	12.0	2.0	-2.2	11.8
47	2.70000	8.0	12.0	2.0	-2.7	11.3
48	2.65000	8.0	12.0	2.0	-2.6	11.4
49	2.60000	8.0	12.0	2.0	-2.9	11.1
50	2.55000	8.0	12.0	2.0	-3.2	10.8
51	2.50000	8.0	12.0	2.0	-3.1	10.9
52	2.45000	8.0	12.0	2.0	-3.3	10.7
53	2.40000	8.0	12.0	2.0	-3.2	10.8
54	2.35000	8.0	12.0	2.0	-3.1	10.9
55	2.30000	8.0	12.0	2.0	-3.3	10.7
56	2.25000	8.0	12.0	2.0	-3.4	10.6
57	2.20000	8.0	12.0	2.0	-3.5	10.5
58	2.15000	8.0	12.0	2.0	-3.4	10.6
59	2.10000	8.0	12.0	2.0	-3.3	10.7
60	2.05000	8.0	12.0	2.0	-3.5	10.5
61	2.00000	8.0	12.0	2.0	-3.6	10.4
62	1.95000	8.0	12.0	2.0	-3.7	10.3
63	1.90000	8.0	12.0	2.0	-3.6	10.4
64	1.85000	8.0	12.0	2.0	-3.4	10.6
65	1.80000	8.0	12.0	2.0	-3.3	10.7
66	1.75000	8.0	12.0	2.0	-3.2	10.8
67	1.70000	8.0	12.0	2.0	-3.3	10.7
68	1.65000	8.0	12.0	2.0	-3.2	10.8

Continued..

ULTRATECH GROUP OF LABS

3000 Bristol Circle, Oakville, Ontario, Canada L6H 6G4

Tel. #: 905-829-1570, Fax. #: 905-829-8050, Email: vhk.ultratech@sympatico.ca, Website: <http://www.ultratech-labs.com>

File #: GTT-013FTX

March 17, 2000

- Assessed by ITI (UK) Competent Body, NVLAP (USA) Accreditation Body & ACA/AUSTEL (Australia)
- Accredited by Industry Canada (Canada) under ACC-LAB (Europe/Canada MRA)
- Recognized/Listed by FCC (USA)
- All test results contained in this engineering test report are traceable to National Institute of Standards and Technology (NIST)

Test Point	Jammer Signal Freq. +/- Fc (MHz)	(PER) (Approx.) (%)	(S/N) _o for DQPSK @ 2 Mb/s (dB)	System Loss L _{sys} (dB)	Jammer to Signal Ratio Mj (dB)	Measured Processing Gain (dB)
69	1.60000	8.0	12.0	2.0	-3.3	10.7
70	1.55000	8.0	12.0	2.0	-3.3	10.7
71	1.50000	8.0	12.0	2.0	-3.2	10.8
72	1.45000	8.0	12.0	2.0	-3.4	10.6
73	1.40000	8.0	12.0	2.0	-3.3	10.7
74	1.35000	8.0	12.0	2.0	-3.2	10.8
75	1.30000	8.0	12.0	2.0	-3.3	10.7
76	1.25000	8.0	12.0	2.0	-3.3	10.7
77	1.20000	8.0	12.0	2.0	-3.2	10.8
78	1.15000	8.0	12.0	2.0	-3.1	10.9
79	1.10000	8.0	12.0	2.0	-3.2	10.8
80	1.05000	8.0	12.0	2.0	-3.3	10.7
81	1.00000	8.0	12.0	2.0	-3.2	10.8
82	0.95000	8.0	12.0	2.0	-3.2	10.8
83	0.90000	8.0	12.0	2.0	-3.2	10.8
84	0.85000	8.0	12.0	2.0	-3.2	10.8
85	0.80000	8.0	12.0	2.0	-3.3	10.7
86	0.75000	8.0	12.0	2.0	-3.4	10.6
87	0.70000	8.0	12.0	2.0	-3.4	10.6
88	0.65000	8.0	12.0	2.0	-3.4	10.6
89	0.60000	8.0	12.0	2.0	-3.5	10.5
90	0.55000	8.0	12.0	2.0	-3.5	10.5
91	0.50000	8.0	12.0	2.0	-3.7	10.3
92	0.45000	8.0	12.0	2.0	-3.9	10.1
93	0.40000	8.0	12.0	2.0	-3.3	10.7
94	0.35000	8.0	12.0	2.0	-3.3	10.7
95	0.30000	8.0	12.0	2.0	-3.1	10.9
96	0.25000	8.0	12.0	2.0	-2.0	12.0
97	0.20000	8.0	12.0	2.0	-1.3	12.7
98	0.15000	8.0	12.0	2.0	-0.8	13.2
99	0.10000	8.0	12.0	2.0	0.3	14.3
100	0.05000	8.0	12.0	2.0	0.8	14.8
101	0.00000	8.0	12.0	2.0	1.4	15.4
102	-0.05000	8.0	12.0	2.0	1.4	15.4
103	-0.10000	8.0	12.0	2.0	1.8	15.8
104	-0.15000	8.0	12.0	2.0	1.3	15.3
105	-0.20000	8.0	12.0	2.0	0.5	14.5
106	-0.25000	8.0	12.0	2.0	-0.1	13.9
107	-0.30000	8.0	12.0	2.0	-1.3	12.7

Continued..

ULTRATECH GROUP OF LABS

3000 Bristol Circle, Oakville, Ontario, Canada L6H 6G4

Tel. #: 905-829-1570, Fax. #: 905-829-8050, Email: vhk.ultratech@sympatico.ca, Website: <http://www.ultratech-labs.com>

File #: GTT-013FTX

March 17, 2000

- Assessed by ITI (UK) Competent Body, NVLAP (USA) Accreditation Body & ACA/AUSTEL (Australia)
- Accredited by Industry Canada (Canada) under ACC-LAB (Europe/Canada MRA)
- Recognized/Listed by FCC (USA)
- All test results contained in this engineering test report are traceable to National Institute of Standards and Technology (NIST)

Test Point	Jammer Signal Freq. +/- Fc (MHz)	(PER) (Approx.) (%)	(S/N) _o for DQPSK @ 2 Mb/s (dB)	System Loss L _{sys} (dB)	Jammer to Signal Ratio Mj (dB)	Measured Processing Gain (dB)
108	-0.35000	8.0	12.0	2.0	-1.5	12.5
109	-0.40000	8.0	12.0	2.0	-2.8	11.2
110	-0.45000	8.0	12.0	2.0	-2.9	11.1
111	-0.50000	8.0	12.0	2.0	-3.6	10.4
112	-0.55000	8.0	12.0	2.0	-4.0	10.0
113	-0.60000	8.0	12.0	2.0	-4.1	9.9
114	-0.65000	8.0	12.0	2.0	-5.3	8.7
115	-0.70000	8.0	12.0	2.0	-4.7	9.3
116	-0.75000	8.0	12.0	2.0	-4.8	9.2
117	-0.80000	8.0	12.0	2.0	-4.9	9.1
118	-0.85000	8.0	12.0	2.0	-4.5	9.5
119	-0.90000	8.0	12.0	2.0	-4.3	9.7
120	-0.95000	8.0	12.0	2.0	-3.6	10.4
121	-1.00000	8.0	12.0	2.0	-4.2	9.8
122	-1.05000	8.0	12.0	2.0	-4.1	9.9
123	-1.10000	8.0	12.0	2.0	-4.1	9.9
124	-1.15000	8.0	12.0	2.0	-3.8	10.2
125	-1.20000	8.0	12.0	2.0	-3.6	10.4
126	-1.25000	8.0	12.0	2.0	-4.1	9.9
127	-1.30000	8.0	12.0	2.0	-3.4	10.6
128	-1.35000	8.0	12.0	2.0	-3.5	10.5
129	-1.40000	8.0	12.0	2.0	-3.7	10.3
130	-1.45000	8.0	12.0	2.0	-3.7	10.3
131	-1.50000	8.0	12.0	2.0	-3.7	10.3
132	-1.55000	8.0	12.0	2.0	-3.7	10.3
133	-1.60000	8.0	12.0	2.0	-3.6	10.4
134	-1.65000	8.0	12.0	2.0	-3.5	10.5
135	-1.70000	8.0	12.0	2.0	-3.7	10.3
136	-1.75000	8.0	12.0	2.0	-3.8	10.2
137	-1.80000	8.0	12.0	2.0	-3.5	10.5
138	-1.85000	8.0	12.0	2.0	-3.7	10.3
139	-1.90000	8.0	12.0	2.0	-3.7	10.3
140	-1.95000	8.0	12.0	2.0	-3.6	10.4
141	-2.00000	8.0	12.0	2.0	-3.7	10.3
142	-2.05000	8.0	12.0	2.0	-3.5	10.5
143	-2.10000	8.0	12.0	2.0	-3.6	10.4
144	-2.15000	8.0	12.0	2.0	-3.8	10.2
145	-2.20000	8.0	12.0	2.0	-3.7	10.3
146	-2.25000	8.0	12.0	2.0	-3.3	10.7

Continued..

ULTRATECH GROUP OF LABS

3000 Bristol Circle, Oakville, Ontario, Canada L6H 6G4

Tel. #: 905-829-1570, Fax. #: 905-829-8050, Email: vhk.ultratech@sympatico.ca, Website: <http://www.ultratech-labs.com>

File #: GTT-013FTX

March 17, 2000

- Assessed by ITI (UK) Competent Body, NVLAP (USA) Accreditation Body & ACA/AUSTEL (Australia)
- Accredited by Industry Canada (Canada) under ACC-LAB (Europe/Canada MRA)
- Recognized/Listed by FCC (USA)
- All test results contained in this engineering test report are traceable to National Institute of Standards and Technology (NIST)

Test Point	Jammer Signal Freq. +/- Fc (MHz)	(PER) (Approx.) (%)	(S/N) _o for DQPSK @ 2 Mb/s (dB)	System Loss L _{sys} (dB)	Jammer to Signal Ratio M _j (dB)	Measured Processing Gain (dB)
147	-2.30000	8.0	12.0	2.0	-3.5	10.5
148	-2.35000	8.0	12.0	2.0	-3.3	10.7
149	-2.40000	8.0	12.0	2.0	-3.1	10.9
150	-2.45000	8.0	12.0	2.0	-3.2	10.8
151	-2.50000	8.0	12.0	2.0	-3.3	10.7
152	-2.55000	8.0	12.0	2.0	-3.0	11.0
153	-2.60000	8.0	12.0	2.0	-3.0	11.0
154	-2.65000	8.0	12.0	2.0	-3.1	10.9
155	-2.70000	8.0	12.0	2.0	-3.3	10.7
156	-2.75000	8.0	12.0	2.0	-3.0	11.0
157	-2.80000	8.0	12.0	2.0	-3.2	10.8
158	-2.85000	8.0	12.0	2.0	-3.2	10.8
159	-2.90000	8.0	12.0	2.0	-3.1	10.9
160	-2.95000	8.0	12.0	2.0	-3.3	10.7
161	-3.00000	8.0	12.0	2.0	-3.2	10.8
162	-3.05000	8.0	12.0	2.0	-3.3	10.7
163	-3.10000	8.0	12.0	2.0	-3.3	10.7
164	-3.15000	8.0	12.0	2.0	-3.3	10.7
165	-3.20000	8.0	12.0	2.0	-3.2	10.8
166	-3.25000	8.0	12.0	2.0	-3.2	10.8
167	-3.30000	8.0	12.0	2.0	-3.3	10.7
168	-3.35000	8.0	12.0	2.0	-3.1	10.9
169	-3.40000	8.0	12.0	2.0	-3.0	11.0
170	-3.45000	8.0	12.0	2.0	-3.2	10.8
171	-3.50000	8.0	12.0	2.0	-3.3	10.7
172	-3.55000	8.0	12.0	2.0	-3.2	10.8
173	-3.60000	8.0	12.0	2.0	-3.2	10.8
174	-3.65000	8.0	12.0	2.0	-3.3	10.7
175	-3.70000	8.0	12.0	2.0	-3.5	10.5
176	-3.75000	8.0	12.0	2.0	-3.2	10.8
177	-3.80000	8.0	12.0	2.0	-3.2	10.8
178	-3.85000	8.0	12.0	2.0	-3.0	11.0
179	-3.90000	8.0	12.0	2.0	-2.9	11.1
180	-3.95000	8.0	12.0	2.0	-3.0	11.0
181	-4.00000	8.0	12.0	2.0	-2.8	11.2
182	-4.05000	8.0	12.0	2.0	-2.7	11.3
183	-4.10000	8.0	12.0	2.0	-2.7	11.3
184	-4.15000	8.0	12.0	2.0	-2.6	11.4
185	-4.20000	8.0	12.0	2.0	-2.7	11.3

Continued..

ULTRATECH GROUP OF LABS

3000 Bristol Circle, Oakville, Ontario, Canada L6H 6G4

Tel. #: 905-829-1570, Fax. #: 905-829-8050, Email: vhk.ultratech@sympatico.ca, Website: <http://www.ultratech-labs.com>

File #: GTT-013FTX

March 17, 2000

- Assessed by ITI (UK) Competent Body, NVLAP (USA) Accreditation Body & ACA/AUSTEL (Australia)
- Accredited by Industry Canada (Canada) under ACC-LAB (Europe/Canada MRA)
- Recognized/Listed by FCC (USA)
- All test results contained in this engineering test report are traceable to National Institute of Standards and Technology (NIST)

Test Point	Jammer Signal Freq. +/- Fc (MHz)	(PER) (Approx.) (%)	(S/N) _o for DQPSK @ 2 Mb/s (dB)	System Loss L _{sys} (dB)	Jammer to Signal Ratio M _j (dB)	Measured Processing Gain (dB)
186	-4.25000	8.0	12.0	2.0	-2.7	11.3
187	-4.30000	8.0	12.0	2.0	-2.5	11.5
188	-4.35000	8.0	12.0	2.0	-2.4	11.6
189	-4.40000	8.0	12.0	2.0	-2.3	11.7
190	-4.45000	8.0	12.0	2.0	-1.9	12.1
191	-4.50000	8.0	12.0	2.0	-1.7	12.3
192	-4.55000	8.0	12.0	2.0	-1.8	12.2
193	-4.60000	8.0	12.0	2.0	-1.9	12.1
194	-4.65000	8.0	12.0	2.0	-1.8	12.2
195	-4.70000	8.0	12.0	2.0	-1.7	12.3
196	-4.75000	8.0	12.0	2.0	-2.1	11.9
197	-4.80000	8.0	12.0	2.0	-1.8	12.2
198	-4.85000	8.0	12.0	2.0	-1.8	12.2
199	-4.90000	8.0	12.0	2.0	-1.8	12.2
200	-4.95000	8.0	12.0	2.0	-1.7	12.3
201	-5.00000	8.0	12.0	2.0	-1.5	12.5

Shaded Area: 20 % discarded worst Process gain measurements

ULTRATECH GROUP OF LABS

3000 Bristol Circle, Oakville, Ontario, Canada L6H 6G4

Tel. #: 905-829-1570, Fax. #: 905-829-8050, Email: vhk.ultratech@sympatico.ca, Website: <http://www.ultratech-labs.com>

File #: GTT-013FTX

March 17, 2000

- Assessed by ITI (UK) Competent Body, NVLAP (USA) Accreditation Body & ACA/AUSTEL (Australia)
- Accredited by Industry Canada (Canada) under ACC-LAB (Europe/Canada MRA)
- Recognized/Listed by FCC (USA)
- All test results contained in this engineering test report are traceable to National Institute of Standards and Technology (NIST)

Theoretical Process Gain for CCK Modulation

In the case of CCK modulation at higher data rate, the Chip Rate/Symbol Rate (8 dB) is not an actual Process Gain since it is a combination of both Process gain and Coding Gain. The formula true formula for Processing Gain calculation will be based on the CW Jamming Margin. Please refer to the attached theoretical Process Gain calculation written by Mr. Carl Andren at Intersil Corporation for details.

CARL ANDREN
INTERSIL CORPORATION
JANUARY 11, 2000
CANDREN@INTERSIL.COM
321-724-7535

SCOPE:

This report presents the test procedure, test configuration and test data associated with a FCC Part 15.247 (e) Jamming Margin test for the indirect measurement of processing gain.

APPLICABLE REFERENCE DOCUMENTS:

5. "Operation within the bands 902-928 MHz, 2400-2483.5, and 5725-5850 MHz" *Title 47 Part 15 section 247 (e) Code of Federal Regulations. (47 CFR 15.247).*
6. "Report and Order: Amendment of Parts 2 and 15 of the Commission's Rules Regarding Spread Spectrum Transmitters. Appendix C: 'Guidance on Measurements for Direct Sequence Spread Spectrum Systems" *FCC 97-114. ET Docket No. 96-8, RM-8435, RM-8608, RM-8609.*
7. "HFA3861A Direct Sequence Spread Spectrum Baseband Processor" *Harris Corporation Semiconductor Sector Preliminary Data Sheet*, Melbourne FL, July 1999.
8. "M-ary Orthogonal Keying BER Curve",

TEST BACKGROUND AND PROCEDURE.

According to FCC regulations [1], a direct sequence spread spectrum system must have a processing gain, G_p of at least 10 dB. Compliance to this requirement can be shown by demonstrating a relative bit-error-ratio (BER) performance improvement (and corresponding signal to noise ratio per symbol improvement of at least 10 dB) between the case where spread spectrum processes (coding, modulation) are engaged relative to the processes being bypassed. In some practical systems, the spread spectrum processing cannot simply be bypassed. In these cases, the processing gain can be indirectly measured by a jamming margin test [2]. In accordance with the new NPRM 99-231, if the vendor has a system with less than 10 chips per symbol, the CW jamming results must be supported by a theoretical explanation of the system processing gain.

ULTRATECH GROUP OF LABS

3000 Bristol Circle, Oakville, Ontario, Canada L6H 6G4

Tel. #: 905-829-1570, Fax. #: 905-829-8050, Email: vhk.ultratech@sympatico.ca, Website: <http://www.ultratech-labs.com>

File #: GTT-013FTX
March 17, 2000

- Assessed by ITI (UK) Competent Body, NVLAP (USA) Accreditation Body & ACA/AUSTEL (Australia)
- Accredited by Industry Canada (Canada) under ACC-LAB (Europe/Canada MRA)
- Recognized/Listed by FCC (USA)
- All test results contained in this engineering test report are traceable to National Institute of Standards and Technology (NIST)

THEORETICAL CALCULATIONS

The processing gain is related to the jamming margin as follows [2]:

$$G_p = \left(\frac{S}{N} \right)_{output} + \left(\frac{J}{S} \right) + L_{system}$$

Where BER_{REFERENCE} is the reference bit error ratio with its corresponding, theoretical output signal to noise ratio per symbol, (S/N)_{output}, (J/S) is the jamming margin (jamming signal power relative to desired signal power), and L_{system} are the system implementation losses.

The maximum allowed total system implementation loss is 2 dB.

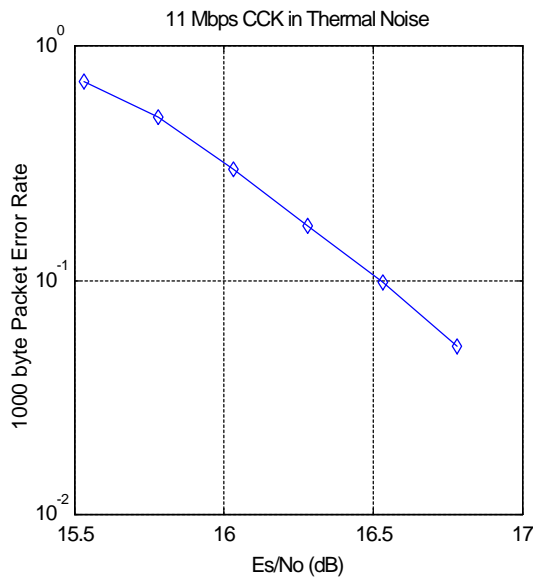
The HFA3861A direct sequence spread spectrum baseband processor uses CCK modulation which is a form of M-ary Orthogonal Keying. The BER performance curve is given by [5]:

“ The probability of error for generalized M-ary Orthogonal signaling using coherent demodulation is given by:

$$P_e = 1 - P_{c1} = 1 - \frac{1}{\sqrt{2p}} \int_{-\frac{S_{01}}{N_0}}^{\infty} \left[2(1 - Q\left\{ z + \sqrt{2 \frac{E_b}{h}} \right\}) \right]^{\frac{M}{2}-1} \exp\left\{ -\frac{z^2}{2} \right\} dz$$

This integral cannot be solved in closed form, and numerical integration must be used. There are error rate extensions for differential decoding and descrambling that are also to be accounted for. This is done in a MATHCAD environment and is displayed in graphical format below.

1000 BYTE PER VS. ES/NO



The reference PER is specified as 8% . The corresponding Es/No (signal to noise ratio per symbol) is 16.4 dB. The Es/No required to achieve the desired BER with maximum system implementation losses is 18.4 dB. The minimum processing gain is again, 10 dB, therefore:

$$G_p = \left(\frac{E_s}{N_o} \right)_{output} + \left(\frac{J}{S} \right) + L_{system} = 16.4dB + 2.0dB + \left(\frac{J}{S} \right) \geq 10dB$$

$$G_p = 18.4dB + \left(\frac{J}{S} \right) \geq 10dB$$

The minimum jammer to signal ratio is as follows:

$$\left(\frac{J}{S} \right) \geq -8.4dB$$

For the case of the HFA3861A, the bit rates are 1, 2, 5.5, and 11 Mbps. The corresponding symbol rates are 1, 1, 1.375, and 1.375 MSps. The chip rate is always 11 MCps, so the ratio of chip rate to symbol rate is 11:1 for the 1 and 2 Mbps rates and 8:1 for the 5.5 and 11 Mbps rates. Since the symbol rate to bit rate is less than 10 for the higher rates, we supply the theoretical processing gain

ULTRATECH GROUP OF LABS

3000 Bristol Circle, Oakville, Ontario, Canada L6H 6G4
 Tel. #: 905-829-1570, Fax. #: 905-829-8050, Email: vhk.ultratech@sympatico.ca, Website: <http://www.ultratech-labs.com>

File #: GTT-013FTX
 March 17, 2000

- Assessed by ITI (UK) Competent Body, NVLAP (USA) Accreditation Body & ACA/AUSTEL (Australia)
- Accredited by Industry Canada (Canada) under ACC-LAB (Europe/Canada MRA)
- Recognized/Listed by FCC (USA)
- All test results contained in this engineering test report are traceable to National Institute of Standards and Technology (NIST)

calculation for these cases where spread spectrum processing gain with embedded coding gain is utilized. This is reasonable in that they cannot be separated in the demodulation process. If a separable FEC coding scheme were used, we would not be comfortable making this assertion.

As can be seen from the curve of figure 1, the E_s/N_0 is 16.4 dB at the PER of 8%. This PER can be related to a BER of $1e-5$ on 1000 byte packets. With 8 bits per symbol, the E_b/N_0 is then 7.4 dB or 9 dB less than the E_s/N_0 . It is well known that the E_b/N_0 of BPSK is 9.6 dB for $1e-5$ BER, so therefore the coding gain of CCK over BPSK is 2.2 dB. We add this to the processing gain of 9 dB to get 11.2 dB overall processing gain for the CW jammer test.

Taking the calculations above, if the $\left(\frac{J}{S}\right) \geq -8.4\text{ dB}$ then the equipment passes the CW jamming test.

ULTRATECH GROUP OF LABS

3000 Bristol Circle, Oakville, Ontario, Canada L6H 6G4

Tel. #: 905-829-1570, Fax. #: 905-829-8050, Email: vhk.ultratech@sympatico.ca, Website: <http://www.ultratech-labs.com>

File #: GTT-013FTX
March 17, 2000

- Assessed by ITI (UK) Competent Body, NVLAP (USA) Accreditation Body & ACA/AUSTEL (Australia)
- Accredited by Industry Canada (Canada) under ACC-LAB (Europe/Canada MRA)
- Recognized/Listed by FCC (USA)
- All test results contained in this engineering test report are traceable to National Institute of Standards and Technology (NIST)

6.11.6.3. Test Configuration #3:

Data Modulation: CCK
 Data Rate or Bit Rate: 5.5 Mb/s,
 Symbol Rate: 1.375 MS/s
 Chip Rate: 11 MC/s
 Chip Rate/Symbol Rate: 11:1.375 or 8

Theoretical Process Gain:

$$G_p = 18.4 \text{ dB} + \left(\frac{J}{S} \right) \geq 10 \text{ dB}$$

The minimum jammer to signal ratio is as follows:

$$\left(\frac{J}{S} \right) \geq -8.4 \text{ dB}$$

Measured Minimum Process Gain = 11.2 dB

Test Point	Jammer Signal Freq. +/- Fc (MHz)	(PER) (Approx.) (%)	(S/N) _o for CCK @ 5.5 Mb/s (dB)	System Loss L _{sys} (dB)	Jammer to Signal Ratio M _j (dB)	Measured Processing Gain (dB)
1	5.00000	8.0	16.4	2.0	-4.6	13.8
2	4.95000	8.0	16.4	2.0	-4.5	13.9
3	4.90000	8.0	16.4	2.0	-4.4	14.0
4	4.85000	8.0	16.4	2.0	-4.3	14.1
5	4.80000	8.0	16.4	2.0	-4.7	13.7
6	4.75000	8.0	16.4	2.0	-4.2	14.2
7	4.70000	8.0	16.4	2.0	-4.5	13.9
8	4.65000	8.0	16.4	2.0	-4.1	14.3
9	4.60000	8.0	16.4	2.0	-4.6	13.8
10	4.55000	8.0	16.4	2.0	-4.0	14.4
11	4.50000	8.0	16.4	2.0	-4.1	14.3
12	4.45000	8.0	16.4	2.0	-4.1	14.3
13	4.40000	8.0	16.4	2.0	-4.0	14.4
14	4.35000	8.0	16.4	2.0	-4.5	13.9
15	4.30000	8.0	16.4	2.0	-4.8	13.6
16	4.25000	8.0	16.4	2.0	-4.7	13.7
17	4.20000	8.0	16.4	2.0	-4.6	13.8
18	4.15000	8.0	16.4	2.0	-4.8	13.6
19	4.10000	8.0	16.4	2.0	-5.0	13.4
20	4.05000	8.0	16.4	2.0	-5.2	13.2
21	4.00000	8.0	16.4	2.0	-6.6	11.8

Continued..

ULTRATECH GROUP OF LABS

3000 Bristol Circle, Oakville, Ontario, Canada L6H 6G4
 Tel. #: 905-829-1570, Fax. #: 905-829-8050, Email: vhk.ultratech@sympatico.ca, Website: <http://www.ultratech-labs.com>

File #: GTT-013FTX
 March 17, 2000

- Assessed by ITI (UK) Competent Body, NVLAP (USA) Accreditation Body & ACA/AUSTEL (Australia)
- Accredited by Industry Canada (Canada) under ACC-LAB (Europe/Canada MRA)
- Recognized/Listed by FCC (USA)
- All test results contained in this engineering test report are traceable to National Institute of Standards and Technology (NIST)

Test Point	Jammer Signal Freq. +/- Fc (MHz)	(PER) (Approx.) (%)	(S/N) _o for CCK @ 5.5 Mb/s (dB)	System Loss L _{sys} (dB)	Jammer to Signal Ratio Mj (dB)	Measured Processing Gain (dB)
22	3.95000	8.0	16.4	2.0	-5.8	12.6
23	3.90000	8.0	16.4	2.0	-5.9	12.5
24	3.85000	8.0	16.4	2.0	-6.0	12.4
25	3.80000	8.0	16.4	2.0	-6.1	12.3
26	3.75000	8.0	16.4	2.0	-6.2	12.2
27	3.70000	8.0	16.4	2.0	-5.9	12.5
28	3.65000	8.0	16.4	2.0	-5.9	12.5
29	3.60000	8.0	16.4	2.0	-5.8	12.6
30	3.55000	8.0	16.4	2.0	-5.9	12.5
31	3.50000	8.0	16.4	2.0	-5.7	12.7
32	3.45000	8.0	16.4	2.0	-5.8	12.6
33	3.40000	8.0	16.4	2.0	-5.9	12.5
34	3.35000	8.0	16.4	2.0	-5.9	12.5
35	3.30000	8.0	16.4	2.0	-6.0	12.4
36	3.25000	8.0	16.4	2.0	-6.5	11.9
37	3.20000	8.0	16.4	2.0	-6.6	11.8
38	3.15000	8.0	16.4	2.0	-6.8	11.6
39	3.10000	8.0	16.4	2.0	-6.6	11.8
40	3.05000	8.0	16.4	2.0	-6.9	11.5
41	3.00000	8.0	16.4	2.0	-7.1	11.3
42	2.95000	8.0	16.4	2.0	-7.0	11.4
43	2.90000	8.0	16.4	2.0	-7.2	11.2
44	2.85000	8.0	16.4	2.0	-7.5	10.9
45	2.80000	8.0	16.4	2.0	-7.7	10.7
46	2.75000	8.0	16.4	2.0	-7.9	10.5
47	2.70000	8.0	16.4	2.0	-7.8	10.6
48	2.65000	8.0	16.4	2.0	-8.0	10.4
49	2.60000	8.0	16.4	2.0	-8.2	10.2
50	2.55000	8.0	16.4	2.0	-8.5	9.9
51	2.50000	8.0	16.4	2.0	-8.6	9.8
52	2.45000	8.0	16.4	2.0	-8.4	10.0
53	2.40000	8.0	16.4	2.0	-8.2	10.2
54	2.35000	8.0	16.4	2.0	-8.3	10.1
55	2.30000	8.0	16.4	2.0	-8.0	10.4
56	2.25000	8.0	16.4	2.0	-7.9	10.5
57	2.20000	8.0	16.4	2.0	-6.9	11.5
58	2.15000	8.0	16.4	2.0	-7.2	11.2
59	2.10000	8.0	16.4	2.0	-6.5	11.9
60	2.05000	8.0	16.4	2.0	-6.4	12.0

Continued..

ULTRATECH GROUP OF LABS

3000 Bristol Circle, Oakville, Ontario, Canada L6H 6G4

Tel. #: 905-829-1570, Fax. #: 905-829-8050, Email: vhk.ultratech@sympatico.ca, Website: <http://www.ultratech-labs.com>

File #: GTT-013FTX

March 17, 2000

- Assessed by ITI (UK) Competent Body, NVLAP (USA) Accreditation Body & ACA/AUSTEL (Australia)
- Accredited by Industry Canada (Canada) under ACC-LAB (Europe/Canada MRA)
- Recognized/Listed by FCC (USA)
- All test results contained in this engineering test report are traceable to National Institute of Standards and Technology (NIST)

Test Point	Jammer Signal Freq. +/- Fc (MHz)	(PER) (Approx.) (%)	(S/N) _o for CCK @ 5.5 Mb/s (dB)	System Loss L _{sys} (dB)	Jammer to Signal Ratio M _j (dB)	Measured Processing Gain (dB)
61	2.00000	8.0	16.4	2.0	-6.5	11.9
62	1.95000	8.0	16.4	2.0	-6.7	11.7
63	1.90000	8.0	16.4	2.0	-7.0	11.4
64	1.85000	8.0	16.4	2.0	-7.1	11.3
65	1.80000	8.0	16.4	2.0	-6.9	11.5
66	1.75000	8.0	16.4	2.0	-6.9	11.5
67	1.70000	8.0	16.4	2.0	-7.1	11.3
68	1.65000	8.0	16.4	2.0	-7.0	11.4
69	1.60000	8.0	16.4	2.0	-7.2	11.2
70	1.55000	8.0	16.4	2.0	-7.1	11.3
71	1.50000	8.0	16.4	2.0	-7.2	11.2
72	1.45000	8.0	16.4	2.0	-6.9	11.5
73	1.40000	8.0	16.4	2.0	-6.8	11.6
74	1.35000	8.0	16.4	2.0	-6.7	11.7
75	1.30000	8.0	16.4	2.0	-6.8	11.6
76	1.25000	8.0	16.4	2.0	-6.9	11.5
77	1.20000	8.0	16.4	2.0	-6.6	11.8
78	1.15000	8.0	16.4	2.0	-6.9	11.5
79	1.10000	8.0	16.4	2.0	-6.8	11.6
80	1.05000	8.0	16.4	2.0	-6.8	11.6
81	1.00000	8.0	16.4	2.0	-6.8	11.6
82	0.95000	8.0	16.4	2.0	-7.0	11.4
83	0.90000	8.0	16.4	2.0	-6.9	11.5
84	0.85000	8.0	16.4	2.0	-7.1	11.3
85	0.80000	8.0	16.4	2.0	-7.0	11.4
86	0.75000	8.0	16.4	2.0	-6.9	11.5
87	0.70000	8.0	16.4	2.0	-6.8	11.6
88	0.65000	8.0	16.4	2.0	-6.9	11.5
89	0.60000	8.0	16.4	2.0	-7.1	11.3
90	0.55000	8.0	16.4	2.0	-7.2	11.2
91	0.50000	8.0	16.4	2.0	-6.9	11.5
92	0.45000	8.0	16.4	2.0	-7.0	11.4
93	0.40000	8.0	16.4	2.0	-7.1	11.3
94	0.35000	8.0	16.4	2.0	-7.2	11.2
95	0.30000	8.0	16.4	2.0	-6.9	11.5
96	0.25000	8.0	16.4	2.0	-6.9	11.5
97	0.20000	8.0	16.4	2.0	-6.8	11.6
98	0.15000	8.0	16.4	2.0	-7.0	11.4
99	0.10000	8.0	16.4	2.0	-7.0	11.4

Continued..

ULTRATECH GROUP OF LABS

3000 Bristol Circle, Oakville, Ontario, Canada L6H 6G4

Tel. #: 905-829-1570, Fax. #: 905-829-8050, Email: vhk.ultratech@sympatico.ca, Website: <http://www.ultratech-labs.com>

File #: GTT-013FTX

March 17, 2000

- Assessed by ITI (UK) Competent Body, NVLAP (USA) Accreditation Body & ACA/AUSTEL (Australia)
- Accredited by Industry Canada (Canada) under ACC-LAB (Europe/Canada MRA)
- Recognized/Listed by FCC (USA)
- All test results contained in this engineering test report are traceable to National Institute of Standards and Technology (NIST)

Test Point	Jammer Signal Freq. +/- Fc (MHz)	(PER) (Approx.) (%)	(S/N) _o for CCK @ 5.5 Mb/s (dB)	System Loss L _{sys} (dB)	Jammer to Signal Ratio M _j (dB)	Measured Processing Gain (dB)
100	0.05000	8.0	16.4	2.0	-7.0	11.4
101	0.00000	8.0	16.4	2.0	-6.9	11.5
102	-0.05000	8.0	16.4	2.0	-7.0	11.4
103	-0.10000	8.0	16.4	2.0	-6.9	11.5
104	-0.15000	8.0	16.4	2.0	-7.0	11.4
105	-0.20000	8.0	16.4	2.0	-6.9	11.5
106	-0.25000	8.0	16.4	2.0	-7.0	11.4
107	-0.30000	8.0	16.4	2.0	-7.1	11.3
108	-0.35000	8.0	16.4	2.0	-6.9	11.5
109	-0.40000	8.0	16.4	2.0	-7.1	11.3
110	-0.45000	8.0	16.4	2.0	-6.9	11.5
111	-0.50000	8.0	16.4	2.0	-7.2	11.2
112	-0.55000	8.0	16.4	2.0	-7.2	11.2
113	-0.60000	8.0	16.4	2.0	-7.1	11.3
114	-0.65000	8.0	16.4	2.0	-7.0	11.4
115	-0.70000	8.0	16.4	2.0	-7.2	11.2
116	-0.75000	8.0	16.4	2.0	-7.2	11.2
117	-0.80000	8.0	16.4	2.0	-7.1	11.3
118	-0.85000	8.0	16.4	2.0	-7.2	11.2
119	-0.90000	8.0	16.4	2.0	-7.0	11.4
120	-0.95000	8.0	16.4	2.0	-7.0	11.4
121	-1.00000	8.0	16.4	2.0	-7.1	11.3
122	-1.05000	8.0	16.4	2.0	-7.1	11.3
123	-1.10000	8.0	16.4	2.0	-7.2	11.2
124	-1.15000	8.0	16.4	2.0	-7.2	11.2
125	-1.20000	8.0	16.4	2.0	-7.1	11.3
126	-1.25000	8.0	16.4	2.0	-6.9	11.5
127	-1.30000	8.0	16.4	2.0	-7.2	11.2
128	-1.35000	8.0	16.4	2.0	-7.0	11.4
129	-1.40000	8.0	16.4	2.0	-7.3	11.1
130	-1.45000	8.0	16.4	2.0	-7.2	11.2
131	-1.50000	8.0	16.4	2.0	-7.4	11.0
132	-1.55000	8.0	16.4	2.0	-7.4	11.0
133	-1.60000	8.0	16.4	2.0	-7.5	10.9
134	-1.65000	8.0	16.4	2.0	-7.6	10.8
135	-1.70000	8.0	16.4	2.0	-7.5	10.9
136	-1.75000	8.0	16.4	2.0	-7.3	11.1
137	-1.80000	8.0	16.4	2.0	-7.2	11.2
138	-1.85000	8.0	16.4	2.0	-7.5	10.9

Continued..

ULTRATECH GROUP OF LABS

3000 Bristol Circle, Oakville, Ontario, Canada L6H 6G4

Tel. #: 905-829-1570, Fax. #: 905-829-8050, Email: vhk.ultratech@sympatico.ca, Website: <http://www.ultratech-labs.com>

File #: GTT-013FTX
 March 17, 2000

- Assessed by ITI (UK) Competent Body, NVLAP (USA) Accreditation Body & ACA/AUSTEL (Australia)
- Accredited by Industry Canada (Canada) under ACC-LAB (Europe/Canada MRA)
- Recognized/Listed by FCC (USA)
- All test results contained in this engineering test report are traceable to National Institute of Standards and Technology (NIST)

Test Point	Jammer Signal Freq. +/- Fc (MHz)	(PER) (Approx.) (%)	(S/N) _o for CCK @ 5.5 Mb/s (dB)	System Loss L _{sys} (dB)	Jammer to Signal Ratio M _j (dB)	Measured Processing Gain (dB)
139	-1.90000	8.0	16.4	2.0	-7.2	11.2
140	-1.95000	8.0	16.4	2.0	-7.4	11.0
141	-2.00000	8.0	16.4	2.0	-7.5	10.9
142	-2.05000	8.0	16.4	2.0	-7.6	10.8
143	-2.10000	8.0	16.4	2.0	-7.7	10.7
144	-2.15000	8.0	16.4	2.0	-7.2	11.2
145	-2.20000	8.0	16.4	2.0	-7.2	11.2
146	-2.25000	8.0	16.4	2.0	-7.1	11.3
147	-2.30000	8.0	16.4	2.0	-7.0	11.4
148	-2.35000	8.0	16.4	2.0	-7.2	11.2
149	-2.40000	8.0	16.4	2.0	-7.1	11.3
150	-2.45000	8.0	16.4	2.0	-7.2	11.2
151	-2.50000	8.0	16.4	2.0	-7.2	11.2
152	-2.55000	8.0	16.4	2.0	-7.2	11.2
153	-2.60000	8.0	16.4	2.0	-7.0	11.4
154	-2.65000	8.0	16.4	2.0	-7.5	10.9
155	-2.70000	8.0	16.4	2.0	-7.4	11.0
156	-2.75000	8.0	16.4	2.0	-7.0	11.4
157	-2.80000	8.0	16.4	2.0	-7.2	11.2
158	-2.85000	8.0	16.4	2.0	-7.1	11.3
159	-2.90000	8.0	16.4	2.0	-7.1	11.3
160	-2.95000	8.0	16.4	2.0	-7.1	11.3
161	-3.00000	8.0	16.4	2.0	-7.1	11.3
162	-3.05000	8.0	16.4	2.0	-6.9	11.5
163	-3.10000	8.0	16.4	2.0	-6.8	11.6
164	-3.15000	8.0	16.4	2.0	-6.5	11.9
165	-3.20000	8.0	16.4	2.0	-6.9	11.5
166	-3.25000	8.0	16.4	2.0	-6.0	12.4
167	-3.30000	8.0	16.4	2.0	-5.9	12.5
168	-3.35000	8.0	16.4	2.0	-5.7	12.7
169	-3.40000	8.0	16.4	2.0	-5.6	12.8
170	-3.45000	8.0	16.4	2.0	-5.4	13.0
171	-3.50000	8.0	16.4	2.0	-5.1	13.3
172	-3.55000	8.0	16.4	2.0	-5.2	13.2
173	-3.60000	8.0	16.4	2.0	-5.3	13.1
174	-3.65000	8.0	16.4	2.0	-5.0	13.4
175	-3.70000	8.0	16.4	2.0	-5.1	13.3
176	-3.75000	8.0	16.4	2.0	-5.5	12.9
177	-3.80000	8.0	16.4	2.0	-5.8	12.6

Continued..

ULTRATECH GROUP OF LABS

3000 Bristol Circle, Oakville, Ontario, Canada L6H 6G4

Tel. #: 905-829-1570, Fax. #: 905-829-8050, Email: vhk.ultratech@sympatico.ca, Website: <http://www.ultratech-labs.com>

File #: GTT-013FTX

March 17, 2000

- Assessed by ITI (UK) Competent Body, NVLAP (USA) Accreditation Body & ACA/AUSTEL (Australia)
- Accredited by Industry Canada (Canada) under ACC-LAB (Europe/Canada MRA)
- Recognized/Listed by FCC (USA)
- All test results contained in this engineering test report are traceable to National Institute of Standards and Technology (NIST)

Test Point	Jammer Signal Freq. +/- Fc (MHz)	(PER) (Approx.) (%)	(S/N) _o for CCK @ 5.5 Mb/s (dB)	System Loss L _{sys} (dB)	Jammer to Signal Ratio M _j (dB)	Measured Processing Gain (dB)
178	-3.85000	8.0	16.4	2.0	-5.6	12.8
179	-3.90000	8.0	16.4	2.0	-5.5	12.9
180	-3.95000	8.0	16.4	2.0	-5.9	12.5
181	-4.00000	8.0	16.4	2.0	-6.4	12.0
182	-4.05000	8.0	16.4	2.0	-6.2	12.2
183	-4.10000	8.0	16.4	2.0	-6.5	11.9
184	-4.15000	8.0	16.4	2.0	-5.9	12.5
185	-4.20000	8.0	16.4	2.0	-6.0	12.4
186	-4.25000	8.0	16.4	2.0	-6.1	12.3
187	-4.30000	8.0	16.4	2.0	-6.0	12.4
188	-4.35000	8.0	16.4	2.0	-5.9	12.5
189	-4.40000	8.0	16.4	2.0	-5.3	13.1
190	-4.45000	8.0	16.4	2.0	-5.5	12.9
191	-4.50000	8.0	16.4	2.0	-5.3	13.1
192	-4.55000	8.0	16.4	2.0	-5.1	13.3
193	-4.60000	8.0	16.4	2.0	-5.2	13.2
194	-4.65000	8.0	16.4	2.0	-5.0	13.4
195	-4.70000	8.0	16.4	2.0	-4.9	13.5
196	-4.75000	8.0	16.4	2.0	-5.2	13.2
197	-4.80000	8.0	16.4	2.0	-5.1	13.3
198	-4.85000	8.0	16.4	2.0	-5.0	13.4
199	-4.90000	8.0	16.4	2.0	-5.1	13.3
200	-4.95000	8.0	16.4	2.0	-5.2	13.2
201	-5.00000	8.0	16.4	2.0	-5.0	13.4

Shaded Area: 20 % discarded worst Process gain measurements

ULTRATECH GROUP OF LABS

3000 Bristol Circle, Oakville, Ontario, Canada L6H 6G4

Tel. #: 905-829-1570, Fax. #: 905-829-8050, Email: vhk.ultratech@sympatico.ca, Website: <http://www.ultratech-labs.com>

File #: GTT-013FTX

March 17, 2000

- Assessed by ITI (UK) Competent Body, NVLAP (USA) Accreditation Body & ACA/AUSTEL (Australia)
- Accredited by Industry Canada (Canada) under ACC-LAB (Europe/Canada MRA)
- Recognized/Listed by FCC (USA)
- All test results contained in this engineering test report are traceable to National Institute of Standards and Technology (NIST)

6.11.6.4. Test Configuration #4:

Modulation: CCK
 Data Rate or Bit Rate: 11 Mb/s,
 Symbol Rate: 1.375 MS/s
 Chip Rate: 11 MC/s
 Chip/Symbol Rate: 11:1.375 or 8

Theoretical Process Gain:

$$G_p = 18.4 \text{ dB} + \left(\frac{J}{S} \right) \geq 10 \text{ dB}$$

The minimum jammer to signal ratio is as follows:

$$\left(\frac{J}{S} \right) \geq -8.4 \text{ dB}$$

Measured Minimum Process Gain = 10.6 dB

Test Point	Jammer Signal Freq. +/- Fc (MHz)	(PER) (Approx.) (%)	(S/N)o for CCK @11 Mb/s (dB)	System Loss Lsys (dB)	Jammer to Signal Ratio Mj (dB)	Measured Processing Gain (dB)
1	5.00000	8.0	16.4	2.0	-2.3	16.1
2	4.95000	8.0	16.4	2.0	-1.7	16.7
3	4.90000	8.0	16.4	2.0	-2.3	16.1
4	4.85000	8.0	16.4	2.0	-2.0	16.4
5	4.80000	8.0	16.4	2.0	-2.4	16.0
6	4.75000	8.0	16.4	2.0	-2.5	15.9
7	4.70000	8.0	16.4	2.0	-2.5	15.9
8	4.65000	8.0	16.4	2.0	-2.6	15.8
9	4.60000	8.0	16.4	2.0	-2.6	15.8
10	4.55000	8.0	16.4	2.0	-2.6	15.8
11	4.50000	8.0	16.4	2.0	-2.6	15.8
12	4.45000	8.0	16.4	2.0	-2.6	15.8
13	4.40000	8.0	16.4	2.0	-2.6	15.8
14	4.35000	8.0	16.4	2.0	-2.6	15.8
15	4.30000	8.0	16.4	2.0	-2.7	15.7
16	4.25000	8.0	16.4	2.0	-5.6	12.8
17	4.20000	8.0	16.4	2.0	-5.7	12.7
18	4.15000	8.0	16.4	2.0	-5.8	12.6
19	4.10000	8.0	16.4	2.0	-5.9	12.5
20	4.05000	8.0	16.4	2.0	-5.9	12.5
21	4.00000	8.0	16.4	2.0	-5.9	12.5

Continued..

ULTRATECH GROUP OF LABS

3000 Bristol Circle, Oakville, Ontario, Canada L6H 6G4

Tel. #: 905-829-1570, Fax. #: 905-829-8050, Email: vhk.ultratech@sympatico.ca, Website: <http://www.ultratech-labs.com>

File #: GTT-013FTX

March 17, 2000

- Assessed by ITI (UK) Competent Body, NVLAP (USA) Accreditation Body & ACA/AUSTEL (Australia)
- Accredited by Industry Canada (Canada) under ACC-LAB (Europe/Canada MRA)
- Recognized/Listed by FCC (USA)
- All test results contained in this engineering test report are traceable to National Institute of Standards and Technology (NIST)

Test Point	Jammer Signal Freq. +/- Fc (MHz)	(PER) (Approx.) (%)	(S/N) _o for CCK @11 Mb/s (dB)	System Loss L _{sys} (dB)	Jammer to Signal Ratio M _j (dB)	Measured Processing Gain (dB)
22	3.95000	8.0	16.4	2.0	-5.9	12.5
23	3.90000	8.0	16.4	2.0	-5.9	12.5
24	3.85000	8.0	16.4	2.0	-5.9	12.5
25	3.80000	8.0	16.4	2.0	-6.0	12.4
26	3.75000	8.0	16.4	2.0	-6.0	12.4
27	3.70000	8.0	16.4	2.0	-6.0	12.4
28	3.65000	8.0	16.4	2.0	-6.0	12.4
29	3.60000	8.0	16.4	2.0	-6.0	12.4
30	3.55000	8.0	16.4	2.0	-6.0	12.4
31	3.50000	8.0	16.4	2.0	-6.0	12.4
32	3.45000	8.0	16.4	2.0	-6.0	12.4
33	3.40000	8.0	16.4	2.0	-6.1	12.3
34	3.35000	8.0	16.4	2.0	-6.1	12.3
35	3.30000	8.0	16.4	2.0	-6.1	12.3
36	3.25000	8.0	16.4	2.0	-6.1	12.3
37	3.20000	8.0	16.4	2.0	-6.1	12.3
38	3.15000	8.0	16.4	2.0	-6.1	12.3
39	3.10000	8.0	16.4	2.0	-6.2	12.2
40	3.05000	8.0	16.4	2.0	-6.2	12.2
41	3.00000	8.0	16.4	2.0	-6.2	12.2
42	2.95000	8.0	16.4	2.0	-6.2	12.2
43	2.90000	8.0	16.4	2.0	-6.2	12.2
44	2.85000	8.0	16.4	2.0	-6.3	12.1
45	2.80000	8.0	16.4	2.0	-6.3	12.1
46	2.75000	8.0	16.4	2.0	-6.3	12.1
47	2.70000	8.0	16.4	2.0	-6.3	12.1
48	2.65000	8.0	16.4	2.0	-6.3	12.1
49	2.60000	8.0	16.4	2.0	-6.3	12.1
50	2.55000	8.0	16.4	2.0	-6.3	12.1
51	2.50000	8.0	16.4	2.0	-6.4	12.0
52	2.45000	8.0	16.4	2.0	-6.4	12.0
53	2.40000	8.0	16.4	2.0	-6.4	12.0
54	2.35000	8.0	16.4	2.0	-6.5	11.9
55	2.30000	8.0	16.4	2.0	-6.5	11.9
56	2.25000	8.0	16.4	2.0	-6.6	11.8
57	2.20000	8.0	16.4	2.0	-6.6	11.8
58	2.15000	8.0	16.4	2.0	-6.7	11.7
59	2.10000	8.0	16.4	2.0	-6.7	11.7
60	2.05000	8.0	16.4	2.0	-6.8	11.6

Continued..

ULTRATECH GROUP OF LABS

3000 Bristol Circle, Oakville, Ontario, Canada L6H 6G4

Tel. #: 905-829-1570, Fax. #: 905-829-8050, Email: vhk.ultratech@sympatico.ca, Website: <http://www.ultratech-labs.com>

File #: GTT-013FTX

March 17, 2000

- Assessed by ITI (UK) Competent Body, NVLAP (USA) Accreditation Body & ACA/AUSTEL (Australia)
- Accredited by Industry Canada (Canada) under ACC-LAB (Europe/Canada MRA)
- Recognized/Listed by FCC (USA)
- All test results contained in this engineering test report are traceable to National Institute of Standards and Technology (NIST)

Test Point	Jammer Signal Freq. +/- Fc (MHz)	(PER) (Approx.) (%)	(S/N) _o for CCK @11 Mb/s (dB)	System Loss L _{sys} (dB)	Jammer to Signal Ratio Mj (dB)	Measured Processing Gain (dB)
61	2.00000	8.0	16.4	2.0	-6.8	11.6
62	1.95000	8.0	16.4	2.0	-6.9	11.5
63	1.90000	8.0	16.4	2.0	-6.9	11.5
64	1.85000	8.0	16.4	2.0	-6.9	11.5
65	1.80000	8.0	16.4	2.0	-6.9	11.5
66	1.75000	8.0	16.4	2.0	-7.0	11.4
67	1.70000	8.0	16.4	2.0	-7.0	11.4
68	1.65000	8.0	16.4	2.0	-7.0	11.4
69	1.60000	8.0	16.4	2.0	-7.0	11.4
70	1.55000	8.0	16.4	2.0	-7.0	11.4
71	1.50000	8.0	16.4	2.0	-7.0	11.4
72	1.45000	8.0	16.4	2.0	-7.0	11.4
73	1.40000	8.0	16.4	2.0	-7.0	11.4
74	1.35000	8.0	16.4	2.0	-7.0	11.4
75	1.30000	8.0	16.4	2.0	-7.0	11.4
76	1.25000	8.0	16.4	2.0	-7.1	11.3
77	1.20000	8.0	16.4	2.0	-7.1	11.3
78	1.15000	8.0	16.4	2.0	-7.1	11.3
79	1.10000	8.0	16.4	2.0	-7.1	11.3
80	1.05000	8.0	16.4	2.0	-7.1	11.3
81	1.00000	8.0	16.4	2.0	-7.1	11.3
82	0.95000	8.0	16.4	2.0	-7.1	11.3
83	0.90000	8.0	16.4	2.0	-7.1	11.3
84	0.85000	8.0	16.4	2.0	-7.1	11.3
85	0.80000	8.0	16.4	2.0	-7.1	11.3
86	0.75000	8.0	16.4	2.0	-7.2	11.2
87	0.70000	8.0	16.4	2.0	-7.2	11.2
88	0.65000	8.0	16.4	2.0	-7.2	11.2
89	0.60000	8.0	16.4	2.0	-7.2	11.2
90	0.55000	8.0	16.4	2.0	-7.2	11.2
91	0.50000	8.0	16.4	2.0	-7.2	11.2
92	0.45000	8.0	16.4	2.0	-7.2	11.2
93	0.40000	8.0	16.4	2.0	-7.2	11.2
94	0.35000	8.0	16.4	2.0	-7.2	11.2
95	0.30000	8.0	16.4	2.0	-7.2	11.2
96	0.25000	8.0	16.4	2.0	-7.2	11.2
97	0.20000	8.0	16.4	2.0	-7.2	11.2
98	0.15000	8.0	16.4	2.0	-7.2	11.2
99	0.10000	8.0	16.4	2.0	-7.2	11.2

Continued..

ULTRATECH GROUP OF LABS

3000 Bristol Circle, Oakville, Ontario, Canada L6H 6G4

Tel. #: 905-829-1570, Fax. #: 905-829-8050, Email: vhk.ultratech@sympatico.ca, Website: <http://www.ultratech-labs.com>

File #: GTT-013FTX

March 17, 2000

- Assessed by ITI (UK) Competent Body, NVLAP (USA) Accreditation Body & ACA/AUSTEL (Australia)
- Accredited by Industry Canada (Canada) under ACC-LAB (Europe/Canada MRA)
- Recognized/Listed by FCC (USA)
- All test results contained in this engineering test report are traceable to National Institute of Standards and Technology (NIST)

Test Point	Jammer Signal Freq. +/- Fc (MHz)	(PER) (Approx.) (%)	(S/N) _o for CCK @11 Mb/s (dB)	System Loss L _{sys} (dB)	Jammer to Signal Ratio M _j (dB)	Measured Processing Gain (dB)
100	0.05000	8.0	16.4	2.0	-7.2	11.2
101	0.00000	8.0	16.4	2.0	-7.2	11.2
102	-0.05000	8.0	16.4	2.0	-7.2	11.2
103	-0.10000	8.0	16.4	2.0	-7.3	11.1
104	-0.15000	8.0	16.4	2.0	-7.3	11.1
105	-0.20000	8.0	16.4	2.0	-7.3	11.1
106	-0.25000	8.0	16.4	2.0	-7.3	11.1
107	-0.30000	8.0	16.4	2.0	-7.3	11.1
108	-0.35000	8.0	16.4	2.0	-7.3	11.1
109	-0.40000	8.0	16.4	2.0	-7.3	11.1
110	-0.45000	8.0	16.4	2.0	-7.3	11.1
111	-0.50000	8.0	16.4	2.0	-7.3	11.1
112	-0.55000	8.0	16.4	2.0	-7.3	11.1
113	-0.60000	8.0	16.4	2.0	-7.3	11.1
114	-0.65000	8.0	16.4	2.0	-7.3	11.1
115	-0.70000	8.0	16.4	2.0	-7.3	11.1
116	-0.75000	8.0	16.4	2.0	-7.3	11.1
117	-0.80000	8.0	16.4	2.0	-7.4	11.0
118	-0.85000	8.0	16.4	2.0	-7.4	11.0
119	-0.90000	8.0	16.4	2.0	-7.4	11.0
120	-0.95000	8.0	16.4	2.0	-7.4	11.0
121	-1.00000	8.0	16.4	2.0	-7.4	11.0
122	-1.05000	8.0	16.4	2.0	-7.4	11.0
123	-1.10000	8.0	16.4	2.0	-7.4	11.0
124	-1.15000	8.0	16.4	2.0	-7.4	11.0
125	-1.20000	8.0	16.4	2.0	-7.4	11.0
126	-1.25000	8.0	16.4	2.0	-7.4	11.0
127	-1.30000	8.0	16.4	2.0	-7.4	11.0
128	-1.35000	8.0	16.4	2.0	-7.4	11.0
129	-1.40000	8.0	16.4	2.0	-7.4	11.0
130	-1.45000	8.0	16.4	2.0	-7.4	11.0
131	-1.50000	8.0	16.4	2.0	-7.4	11.0
132	-1.55000	8.0	16.4	2.0	-7.4	11.0
133	-1.60000	8.0	16.4	2.0	-7.4	11.0
134	-1.65000	8.0	16.4	2.0	-7.4	11.0
135	-1.70000	8.0	16.4	2.0	-7.4	11.0
136	-1.75000	8.0	16.4	2.0	-7.4	11.0
137	-1.80000	8.0	16.4	2.0	-7.4	11.0
138	-1.85000	8.0	16.4	2.0	-7.4	11.0

Continued..

ULTRATECH GROUP OF LABS

3000 Bristol Circle, Oakville, Ontario, Canada L6H 6G4

Tel. #: 905-829-1570, Fax. #: 905-829-8050, Email: vhk.ultratech@sympatico.ca, Website: <http://www.ultratech-labs.com>

File #: GTT-013FTX

March 17, 2000

- Assessed by ITI (UK) Competent Body, NVLAP (USA) Accreditation Body & ACA/AUSTEL (Australia)
- Accredited by Industry Canada (Canada) under ACC-LAB (Europe/Canada MRA)
- Recognized/Listed by FCC (USA)
- All test results contained in this engineering test report are traceable to National Institute of Standards and Technology (NIST)

Test Point	Jammer Signal Freq. +/- Fc (MHz)	(PER) (Approx.) (%)	(S/N) _o for CCK @11 Mb/s (dB)	System Loss L _{sys} (dB)	Jammer to Signal Ratio M _j (dB)	Measured Processing Gain (dB)
139	-1.90000	8.0	16.4	2.0	-7.5	10.9
140	-1.95000	8.0	16.4	2.0	-7.5	10.9
141	-2.00000	8.0	16.4	2.0	-7.5	10.9
142	-2.05000	8.0	16.4	2.0	-7.5	10.9
143	-2.10000	8.0	16.4	2.0	-7.5	10.9
144	-2.15000	8.0	16.4	2.0	-7.5	10.9
145	-2.20000	8.0	16.4	2.0	-7.5	10.9
146	-2.25000	8.0	16.4	2.0	-7.5	10.9
147	-2.30000	8.0	16.4	2.0	-7.5	10.9
148	-2.35000	8.0	16.4	2.0	-7.5	10.9
149	-2.40000	8.0	16.4	2.0	-7.5	10.9
150	-2.45000	8.0	16.4	2.0	-7.5	10.9
151	-2.50000	8.0	16.4	2.0	-7.6	10.8
152	-2.55000	8.0	16.4	2.0	-7.6	10.8
153	-2.60000	8.0	16.4	2.0	-7.6	10.8
154	-2.65000	8.0	16.4	2.0	-7.6	10.8
155	-2.70000	8.0	16.4	2.0	-7.6	10.8
156	-2.75000	8.0	16.4	2.0	-7.7	10.7
157	-2.80000	8.0	16.4	2.0	-7.8	10.6
158	-2.85000	8.0	16.4	2.0	-7.8	10.6
159	-2.90000	8.0	16.4	2.0	-7.8	10.6
160	-2.95000	8.0	16.4	2.0	-7.8	10.6
161	-3.00000	8.0	16.4	2.0	-7.8	10.6
162	-3.05000	8.0	16.4	2.0	-7.8	10.6
163	-3.10000	8.0	16.4	2.0	-7.9	10.5
164	-3.15000	8.0	16.4	2.0	-7.9	10.5
165	-3.20000	8.0	16.4	2.0	-7.9	10.5
166	-3.25000	8.0	16.4	2.0	-7.9	10.5
167	-3.30000	8.0	16.4	2.0	-7.9	10.5
168	-3.35000	8.0	16.4	2.0	-7.9	10.5
169	-3.40000	8.0	16.4	2.0	-7.9	10.5
170	-3.45000	8.0	16.4	2.0	-7.9	10.5
171	-3.50000	8.0	16.4	2.0	-7.9	10.5
172	-3.55000	8.0	16.4	2.0	-7.9	10.5
173	-3.60000	8.0	16.4	2.0	-8.0	10.4
174	-3.65000	8.0	16.4	2.0	-8.0	10.4
175	-3.70000	8.0	16.4	2.0	-8.0	10.4
176	-3.75000	8.0	16.4	2.0	-8.0	10.4
177	-3.80000	8.0	16.4	2.0	-8.0	10.4

Continued.

ULTRATECH GROUP OF LABS

3000 Bristol Circle, Oakville, Ontario, Canada L6H 6G4

Tel. #: 905-829-1570, Fax. #: 905-829-8050, Email: vhk.ultratech@sympatico.ca, Website: <http://www.ultratech-labs.com>

File #: GTT-013FTX

March 17, 2000

- Assessed by ITI (UK) Competent Body, NVLAP (USA) Accreditation Body & ACA/AUSTEL (Australia)
- Accredited by Industry Canada (Canada) under ACC-LAB (Europe/Canada MRA)
- Recognized/Listed by FCC (USA)
- All test results contained in this engineering test report are traceable to National Institute of Standards and Technology (NIST)

Test Point	Jammer Signal Freq. +/- Fc (MHz)	(PER) (Approx.) (%)	(S/N)o for CCK @11 Mb/s (dB)	System Loss Lsys (dB)	Jammer to Signal Ratio Mj (dB)	Measured Processing Gain (dB)
178	-3.85000	8.0	16.4	2.0	-8.1	10.3
179	-3.90000	8.0	16.4	2.0	-8.1	10.3
180	-3.95000	8.0	16.4	2.0	-8.1	10.3
181	-4.00000	8.0	16.4	2.0	-8.1	10.3
182	-4.05000	8.0	16.4	2.0	-8.1	10.3
183	-4.10000	8.0	16.4	2.0	-8.1	10.3
184	-4.15000	8.0	16.4	2.0	-8.2	10.2
185	-4.20000	8.0	16.4	2.0	-8.2	10.2
186	-4.25000	8.0	16.4	2.0	-8.2	10.2
187	-4.30000	8.0	16.4	2.0	-8.3	10.1
188	-4.35000	8.0	16.4	2.0	-8.3	10.1
189	-4.40000	8.0	16.4	2.0	-8.3	10.1
190	-4.45000	8.0	16.4	2.0	-8.4	10.0
191	-4.50000	8.0	16.4	2.0	-8.4	10.0
192	-4.55000	8.0	16.4	2.0	-8.4	10.0
193	-4.60000	8.0	16.4	2.0	-8.4	10.0
194	-4.65000	8.0	16.4	2.0	-8.4	10.0
195	-4.70000	8.0	16.4	2.0	-8.4	10.0
196	-4.75000	8.0	16.4	2.0	-8.7	9.7
197	-4.80000	8.0	16.4	2.0	-8.8	9.6
198	-4.85000	8.0	16.4	2.0	-8.9	9.5
199	-4.90000	8.0	16.4	2.0	-9.0	9.4
200	-4.95000	8.0	16.4	2.0	-9.1	9.3
201	-5.00000	8.0	16.4	2.0	-9.3	9.1

Shaded Area: 20 % discarded worst Process gain measurements

ULTRATECH GROUP OF LABS

3000 Bristol Circle, Oakville, Ontario, Canada L6H 6G4

Tel. #: 905-829-1570, Fax. #: 905-829-8050, Email: vhk.ultratech@sympatico.ca, Website: <http://www.ultratech-labs.com>

File #: GTT-013FTX

March 17, 2000

- Assessed by ITI (UK) Competent Body, NVLAP (USA) Accreditation Body & ACA/AUSTEL (Australia)
- Accredited by Industry Canada (Canada) under ACC-LAB (Europe/Canada MRA)
- Recognized/Listed by FCC (USA)
- All test results contained in this engineering test report are traceable to National Institute of Standards and Technology (NIST)

EXHIBIT 7. MEASUREMENT UNCERTAINTY

The measurement uncertainties stated were calculated in accordance with the requirements of NIST Technical Note 1297 and NIS 81 (1994)

7.1. LINE CONDUCTED EMISSION MEASUREMENT UNCERTAINTY

CONTRIBUTION (Line Conducted)	PROBABILITY DISTRIBUTION	UNCERTAINTY (dB)	
		9-150 kHz	0.15-30 MHz
EMI Receiver specification	Rectangular	±1.5	±1.5
LISN coupling specification	Rectangular	±1.5	±1.5
Cable and Input Transient Limiter calibration	Normal (k=2)	±0.3	±0.5
Mismatch: Receiver VRC $\Gamma_1 = 0.03$ LISN VRC $\Gamma_R = 0.8(9 \text{ kHz}) 0.2 (30 \text{ MHz})$ Uncertainty limits $20\text{Log}(1 \pm \Gamma_1 \Gamma_R)$	U-Shaped	±0.2	±0.3
System repeatability	Std. deviation	±0.2	±0.05
Repeatability of EUT	--	--	--
Combined standard uncertainty	Normal	±1.25	±1.30
Expanded uncertainty U	Normal (k=2)	±2.50	±2.60

Sample Calculation for Measurement Accuracy in 450 kHz to 30 MHz Band:

$$u_c(y) = \sqrt{\sum_{i=1}^m u_i^2(y)} = \pm \sqrt{(1.5^2 + 1.5^2)/3 + (0.5/2)^2 + (0.05/2)^2 + 0.35^2} = \pm 1.30 \text{ dB}$$

$$U = 2u_c(y) = \pm 2.6 \text{ dB}$$

ULTRATECH GROUP OF LABS

3000 Bristol Circle, Oakville, Ontario, Canada L6H 6G4

Tel. #: 905-829-1570, Fax. #: 905-829-8050, Email: vhk.ultratech@sympatico.ca, Website: <http://www.ultratech-labs.com>

File #: GTT-013FTX

March 17, 2000

- Assessed by ITI (UK) Competent Body, NVLAP (USA) Accreditation Body & ACA/AUSTEL (Australia)
- Accredited by Industry Canada (Canada) under ACC-LAB (Europe/Canada MRA)
- Recognized/Listed by FCC (USA)
- All test results contained in this engineering test report are traceable to National Institute of Standards and Technology (NIST)

7.2. RADIATED EMISSION MEASUREMENT UNCERTAINTY

CONTRIBUTION (Radiated Emissions)	PROBABILITY DISTRIBUTION	UNCERTAINTY (\pm dB)	
		3 m	10 m
Antenna Factor Calibration	Normal (k=2)	± 1.0	± 1.0
Cable Loss Calibration	Normal (k=2)	± 0.3	± 0.5
EMI Receiver specification	Rectangular	± 1.5	± 1.5
Antenna Directivity	Rectangular	± 0.5	± 0.5
Antenna factor variation with height	Rectangular	± 2.0	± 0.5
Antenna phase center variation	Rectangular	0.0	± 0.2
Antenna factor frequency interpolation	Rectangular	± 0.25	± 0.25
Measurement distance variation	Rectangular	± 0.6	± 0.4
Site imperfections	Rectangular	± 2.0	± 2.0
Mismatch: Receiver VRC $\Gamma_1 = 0.2$ Antenna VRC $\Gamma_R = 0.67(\text{Bi}) 0.3 (\text{Lp})$ Uncertainty limits $20\text{Log}(1 \pm \Gamma_1 \Gamma_R)$	U-Shaped	+1.1 -1.25	± 0.5
System repeatability	Std. Deviation	± 0.5	± 0.5
Repeatability of EUT		-	-
Combined standard uncertainty	Normal	+2.19 / -2.21	+1.74 / -1.72
Expanded uncertainty U	Normal (k=2)	+4.38 / -4.42	+3.48 / -3.44

Calculation for maximum uncertainty when 3m biconical antenna including a factor of k=2 is used:

$$U = 2u_c(y) = 2x(+2.19) = +4.38 \text{ dB} \quad \text{And} \quad U = 2u_c(y) = 2x(-2.21) = -4.42 \text{ dB}$$

ULTRATECH GROUP OF LABS

3000 Bristol Circle, Oakville, Ontario, Canada L6H 6G4

Tel. #: 905-829-1570, Fax. #: 905-829-8050, Email: vhk.ultratech@sympatico.ca, Website: <http://www.ultratech-labs.com>

File #: GTT-013FTX

March 17, 2000

- Assessed by ITI (UK) Competent Body, NVLAP (USA) Accreditation Body & ACA/AUSTEL (Australia)
- Accredited by Industry Canada (Canada) under ACC-LAB (Europe/Canada MRA)
- Recognized/Listed by FCC (USA)
- All test results contained in this engineering test report are traceable to National Institute of Standards and Technology (NIST)

EXHIBIT 8. MEASUREMENT METHODS

8.1. GENERAL TEST CONDITIONS

The following test conditions shall be applied throughout the tests covered in this report.

8.1.1. Normal temperature and humidity

- Normal temperature: +15°C to +35°C
- Relative Humidity: +20% to 75%

The actual values during tests shall be recorded in the test report.

8.1.2. Normal power source

8.1.2.1. Mains Voltage

The nominal test voltage of the equipment to be connected to mains shall be the nominal mains voltage which is the declared voltage or any of the declared voltages for which the equipment was designed.

The frequency of test power source corresponding to the AC mains shall be between 59 Hz and 61 Hz.

8.1.2.2. Battery Power Source.

For operation from battery power sources, the nominal test voltage shall be as declared by the equipment manufacturer. This shall be recorded in the test report.

8.1.3. Operating Condition of Equipment under Test

- All tests were carried out while the equipment operated at the following frequencies:
 - The lowest operating frequency,
 - The middle operating frequency and
 - The highest operating frequency
- Modulation were applied using the Test Data sequence
- The transmitter was operated at the highest output power, or in the case the equipment able to operate at more than one power level, at the lowest and highest output powers

ULTRATECH GROUP OF LABS

3000 Bristol Circle, Oakville, Ontario, Canada L6H 6G4

Tel. #: 905-829-1570, Fax. #: 905-829-8050, Email: vhk.ultratech@sympatico.ca, Website: <http://www.ultratech-labs.com>

File #: GTT-013FTX
March 17, 2000

- Assessed by ITI (UK) Competent Body, NVLAP (USA) Accreditation Body & ACA/AUSTEL (Australia)
- Accredited by Industry Canada (Canada) under ACC-LAB (Europe/Canada MRA)
- Recognized/Listed by FCC (USA)
- All test results contained in this engineering test report are traceable to National Institute of Standards and Technology (NIST)

8.2. METHOD OF MEASUREMENTS - AC MAINS CONDUCTED EMISSIONS

- AC Mains conducted emissions measurements were performed in accordance with the standard against appropriate limits for each detector function.
- The test was performed in the shielded room, 16'(L) by 16'(W) by 12'(H).
- The test was performed were made over the frequency range from 450 kHz to 30 MHz to determine the line-to-ground radio noise voltage which was conducted from the EUT power-input terminals that were directly connected to a public power network.
- The EUT normally received power from another device that connects to the public utility ac power lines, measurements would be made on that device with the EUT in operation to ensure that the device continues to comply with the appropriate limits while providing the EUT with power.
- If the EUT operates only from internal or dedicated batteries, with no provisions for connection to the public utility ac power lines, AC Mains conducted measurements are not required.
- Table-top devices were placed on a platform of nominal size 1 m by 1.5m raised 80 cm above the conducting ground plane.
- The EUT current-carrying power lead, except the ground (safety) lead, was individually connected through a LISN to the power source. All unused 50-Ohm connectors of the LISN was terminated in 50-ohm when not connected to the measuring instruments.
- The line cord of the EUT connected to one LISN which was connected to the measuring instrument. Those power cords for the units of devices not under measurement were connected to a separate multiple ac outlet. Drawings and photographs of typically conducted emission test setups were shown in the Test Report. Each current-carrying conductor of the EUT shall be individually tested.
- The EUT was normally operated with a ground (safety) connection, the EUT was connected to the ground at the LISN through a conductor provided in the lead from the ac power mains to the LISN.
- The excess length of the power cord was folded back and forth in an 8-shape on a wooden strip with a vertical prong located on the top of the LISN case.
- The EUT was set-up in its typical configuration and operated in its various modes as described in this test report.
- A preliminary scan was made by using spectrum analyzer system with the detector function set to PEAK mode (9 KHz RBW, VBW > RBW), frequency span 450 kHz to 30 MHz.
- The maximum conducted emission for a given mode of operation was found by using the following step-by-step procedure:
 - Step1. Monitor the frequency range of interest at a fixed EUT azimuth.
 - Step2. Manipulate the system cables and peripheral devices to produce highest amplitude signal relative to the limit. Note the amplitude and frequency of the suspect signal.
 - Step3. The effects of various modes of operation is examined. This is done by varying equipment operation modes as step 2 is being performed.
 - Step4. After completing step 1 through 3, record EUT and peripheral device configuration, mode of operation, cable configuration, signal levels and frequencies for final test.
- Each highest signal level at the maximized test configuration was zoomed in a small frequency span on the spectrum analyzer's display (the manipulation of cables and peripheral devices and EUT operation modes might have to be repeated to obtain the highest signal level with the spectrum analyzer set to PEAK detector mode 10 KHz RBW and VBW > RBW). The spectrum analyzer was then set to CISPR QUASI-PEAK detector mode (9 KHz RBW, 1 MHz VBW) and AVERAGE detector mode (10 kHz RBW, 1 Hz VBW). The final highest RF signal levels and frequencies were record.

ULTRATECH GROUP OF LABS

3000 Bristol Circle, Oakville, Ontario, Canada L6H 6G4

Tel. #: 905-829-1570, Fax. #: 905-829-8050, Email: vhk.ultratech@sympatico.ca, Website: <http://www.ultratech-labs.com>

File #: GTT-013FTX
March 17, 2000

- Assessed by ITI (UK) Competent Body, NVLAP (USA) Accreditation Body & ACA/AUSTEL (Australia)
- Accredited by Industry Canada (Canada) under ACC-LAB (Europe/Canada MRA)
- Recognized/Listed by FCC (USA)
- All test results contained in this engineering test report are traceable to National Institute of Standards and Technology (NIST)

- **Broad-band ac Powerline conducted emissions**:- If the EUT exhibits ac Powerline conducted emissions that exceed the limit with the instrument set to the quasi-peak mode, then measurements should be made in the average mode. If the amplitude measured in the quasi-peak mode is at least 6 dB higher than the amplitude measured in the average mode, the level measured in quasi peak mode may be reduced by 13 dB before comparing it to the limit.

8.3. EFFECTIVE RADIATED POWER

- The following shall be applied to the combination(s) of the radio device and its intended antenna(e).
- If the RF level is user adjustable, all measurements shall be made with the highest power level available to the user for that combination.
- The following method of measurement shall apply to both conducted and radiated measurements.
- The radiated measurements are performed at the Ultratech Calibrated Open Field Test Site.
- The measurement shall be performed using normal operation of the equipment with modulation.

Test procedure shall be as follows:

Step 1: Duty Cycle measurements

- Using a spectrum analyzer with the frequency span set to 0 Hz and the sweep time set at a suitable value to capture the envelope peaks and the duty cycle of the transmitter output signal;
- The duty cycle of the transmitter, $x = \text{Tx on} / (\text{Tx on} + \text{Tx off})$ with $0 < x < 1$, is measure and recorded in the test report. For the purpose of testing, the equipment shall be operated with a duty cycle that is equal or more than 0.1.

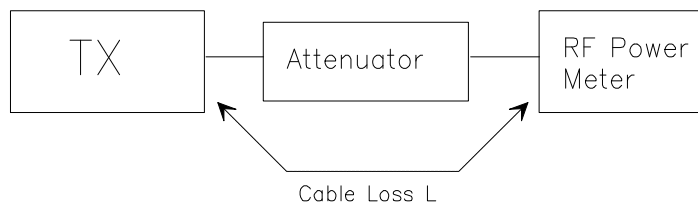
Step 2: Calculation of Peak and Average EIRP

- The peak output power of the transmitter shall be determined using a wideband, calibrated RF Peak Power Meter with the power sensor with an integration period that exceeds the repetition period of the transmitter by a factor 5 or more. The observed value shall be recorded as “P” (in dBm);
- The Average EIRP shall be calculated from the above measured power output “A”, the observed duty cycle x, and the applicable antenna assembly gain “G” in dBi, according to the formula:

$$\text{Peak EIRP} = P + G$$

$$\text{Average EIRP} = \text{Peak EIRP} + 10\log(1/x)$$

Figure 1.



Step 3: Substitution Method. See Figure 2

- The measurements was performed in the absence of modulation (un-modulated)
- Test was performed at listed 3m open area test site (listed with FCC, IC, ITI, NVLAP, ACA & VCCI).
- The transmitter under test was placed at the specified height on a non-conducting turntable (80 cm height)
- The dipole test antenna was used and tuned to the transmitter carrier frequency.
- The spectrum analyzer was tuned to transmitter carrier frequency. The test antenna was lowered or raised from 1 to 4 meters until the maximum signal level was detected.
- The transmitter was rotated through 360° about a vertical axis until a higher maximum signal was received.

ULTRATECH GROUP OF LABS

3000 Bristol Circle, Oakville, Ontario, Canada L6H 6G4

Tel. #: 905-829-1570, Fax. #: 905-829-8050, Email: vhk.ultratech@sympatico.ca, Website: <http://www.ultratech-labs.com>

File #: GTT-013FTX

March 17, 2000

- Assessed by ITI (UK) Competent Body, NVLAP (USA) Accreditation Body & ACA/AUSTEL (Australia)
- Accredited by Industry Canada (Canada) under ACC-LAB (Europe/Canada MRA)
- Recognized/Listed by FCC (USA)
- All test results contained in this engineering test report are traceable to National Institute of Standards and Technology (NIST)

- (g) The test antenna was lowered or raised again from 1 to 4 meters until a maximum was obtained. This level was recorded.
- (h) The substitution dipole antenna and the signal generator replaced the transmitter and antenna under test in the same position, and the substitution dipole antenna was placed in vertical polarization. The test dipole antenna was lowered or raised as necessary to ensure that the maximum signal is still received.
- (i) The input signal to the substitution antenna was adjusted in level until an equal or a known related level to that detected from the transmitter was obtained in the test receiver. The maximum carrier radiated power is equal to the power supply by the generator.
- (j) The substitution antenna gain and cable loss were added to the signal generator level for the corrected ERP level.
- (k) Repeat steps (c) to (j) with the substitution antenna oriented in horizontal polarization.
- (l) Actual gain of the EUT's antenna is the difference of the measured ERP and measured RF power at the RF port. Correct the antenna gain if necessary.

Figure 2

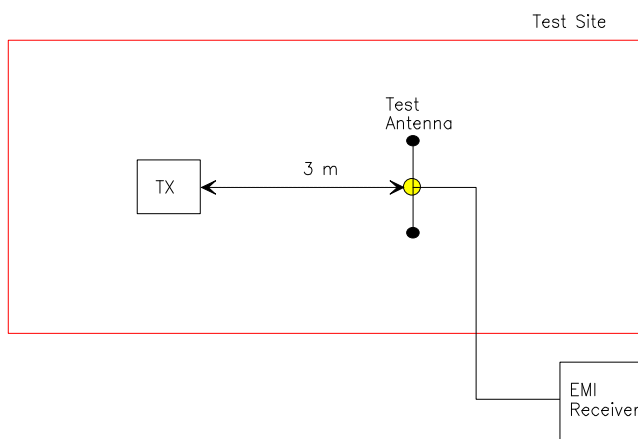
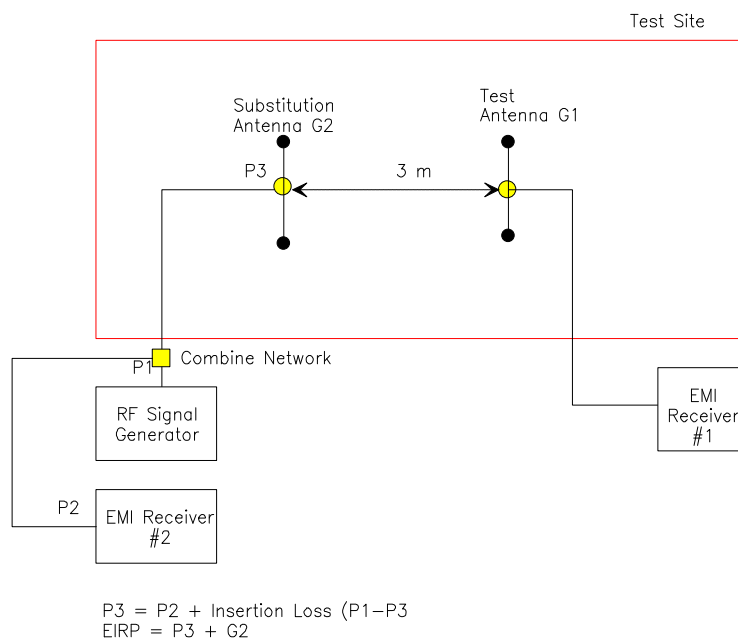


Figure 3



- Assessed by ITI (UK) Competent Body, NVLAP (USA) Accreditation Body & ACA/AUSTEL (Australia)
- Accredited by Industry Canada (Canada) under ACC-LAB (Europe/Canada MRA)
- Recognized/Listed by FCC (USA)
- All test results contained in this engineering test report are traceable to National Institute of Standards and Technology (NIST)

8.4. SPURIOUS EMISSIONS (CONDUCTED & RADIATED)

For both conducted and radiated measurements, the spurious emissions were scanned from the lowest frequency generated by the EUT or 10 MHz whichever is lower to 10th harmonic of the highest frequency generated by the EUT.

8.4.1. Spurious Emissions (Conducted)

- The radio was connected to the measuring equipment via a suitable attenuator.
- The spectrum analyzer were used and set as follows:
 - Resolution BW: 100 kHz
 - Video BW: same or greater
 - Detector Mode: Positive Peak
 - Averaging: Off
 - Span: 100 MHz
 - Amplitude: Adjust for middle of the instrument's range
 - Sweep Time: Auto

8.4.2. Spurious Emissions (Radiated)

- The radiated emission measurements were performed at the UltraTech's 3 Meter Open Field Test Site (OFTS) situated in the Town of Oakville, province of Ontario. The Attenuation Characteristics of OFTS have been filed to FCC, Industry Canada, ACA/Austel, NVLap and ITI.
- Radiated emissions measurements were made using the following test instruments:
 1. Calibrated EMCO BiconiLog antenna in the frequency range from 30 MHz to 2000 MHz.
 2. Calibrated Emco Horn antennas in the frequency range above 1000 MHz (1GHz - 40 GHz).
 3. Calibrated Advantest spectrum analyzer and pre-selector were used. The spectrum analyzer would be used as follows:

For frequencies below 1 GHz:

- Resolution BW: 100 kHz
- Video BW: same or greater
- Detector Mode: Positive Peak
- Averaging: Off
- Span: 100 MHz
- Amplitude: Adjust for middle of the instrument's range
- Sweep Time: Auto

ULTRATECH GROUP OF LABS

3000 Bristol Circle, Oakville, Ontario, Canada L6H 6G4

Tel. #: 905-829-1570, Fax. #: 905-829-8050, Email: vhk.ultratech@sympatico.ca, Website: <http://www.ultratech-labs.com>

File #: GTT-013FTX
March 17, 2000

- Assessed by ITI (UK) Competent Body, NVLAP (USA) Accreditation Body & ACA/AUSTEL (Australia)
- Accredited by Industry Canada (Canada) under ACC-LAB (Europe/Canada MRA)
- Recognized/Listed by FCC (USA)
- *All test results contained in this engineering test report are traceable to National Institute of Standards and Technology (NIST)*

For frequencies above 1 GHz:

- Resolution BW: 1 MHz
- Video BW: same or greater
- Detector Mode: Positive Peak
- Averaging: Off
- Span: 500 MHz
- Amplitude: Adjust for middle of the instrument's range
- Sweep Time: Auto

- The frequencies of emissions was first detected. Then the amplitude of the emissions was measured at the specified measurement distance using required antenna height, polarization, and detector characteristics.
- During this process, cables and peripheral devices were manipulated within the range of likely configuration.
- For each mode of operation required to be tested, the frequency spectrum was monitored. Variations in antenna heights (from 1 meter to 4 meters above the ground plane), antenna polarization (horizontal plane and vertical plane), cable placement and peripheral placement were explored to produce the highest amplitude signal relative to the limit.

The maximum radiated emission for a given mode of operation was found by using the following step-by-step procedure:

Step1: Monitor the frequency range of interest at a fixed antenna height and EUT azimuth.

Step2: Manipulate the system cables to produce highest amplitude signal relative to the limit. Note the amplitude and frequency of the suspect signal.

Step3: Rotate the EUT 360 degrees to maximize the suspected highest amplitude signal. If the signal or another at a different frequency is observed to exceed the previously noted highest amplitude signal by 1 dB or more, go back to the azimuth and repeat Step 2. Otherwise, orient the EUT azimuth to repeat the highest amplitude observation and proceed.

Step4: Move the antenna over its full allowable range of travel (1 to 4 meters) to maximize the suspected highest amplitude signal. If the signal or another at a different frequency is observed to exceed the previously noted highest amplitude signal by 1 dB or more, return to Step 2 with the highest amplitude observation and proceed.

Step5: Change the polarization of the antenna and repeat Step 2 through 4. Compare the resulting suspected highest amplitude signal with that found for the other polarization. Select and note the higher of the two signals. This signal is termed the highest observed signal with respect to the limit for this EUT operational mode.

Step6: The effects of various modes of operation is examined. This is done by varying the equipment modes as steps 2 through 5 are being performed.

Step7: After completing steps 1 through 6, record the final highest emission level, frequency, antenna polarization and detector mode of the measuring instrument.

ULTRATECH GROUP OF LABS

3000 Bristol Circle, Oakville, Ontario, Canada L6H 6G4

Tel. #: 905-829-1570, Fax. #: 905-829-8050, Email: vhk.ultratech@sympatico.ca, Website: <http://www.ultratech-labs.com>

File #: GTT-013FTX

March 17, 2000

- Assessed by ITI (UK) Competent Body, NVLAP (USA) Accreditation Body & ACA/AUSTEL (Australia)
- Accredited by Industry Canada (Canada) under ACC-LAB (Europe/Canada MRA)
- Recognized/Listed by FCC (USA)
- All test results contained in this engineering test report are traceable to National Institute of Standards and Technology (NIST)

Calculation of Field Strength:

The field strength is calculated by adding the calibrated antenna factor and cable factor, and subtracting the Amplifier gain (if any) from the measured reading. The basic equation with a sample calculation is as follows:

$$FS = RA + AF + CF - AG$$

Where FS = Field Strength
 RA = Receiver/Analyzer Reading
 AF = Antenna Factor
 CF = Cable Attenuation Factor
 AG = Amplifier Gain

Example: If a receiver reading of 60.0 dBuV is obtained, the antenna factor of 7.0 dB/m and cable factor of 1.0 dB are added, and the amplifier gain of 30 dB is subtracted. The actual field strength will be:

$$\text{Field Level} = 60 + 7.0 + 1.0 - 30 = 38.0 \text{ dBuV/m.}$$

$$\text{Field Level} = 10^{(38/20)} = 79.43 \text{ uV/m.}$$

8.5. TRANSMITTED POWER DENSITY OF A DSSS SYSTEM

- The radio was connected to the measuring equipment via a suitable attenuator.
- Locate and zoom in on emission peak(s) within the passband
- The spectrum analyzer were used and set as follows:
 - Resolution BW: 3 kHz
 - Video BW: same or greater
 - Detector Mode: Normal
 - Averaging: Off
 - Span: 3 MHz
 - Amplitude: Adjust for middle of the instrument's range
 - Sweep Time: 1000 seconds
- Locate and zoom in on emission peak(s) within the passband. Set RBW = 3 KHz, VBW ≥ RBW, Sweep = SPAN/3 KHz. For example, a span of 1.5 MHz, the sweep should be $1.6 \times 10^6 / 3.0 \times 10^3 = 500$ seconds. The measured peak level must be no greater than +8 dBm.
- For devices with spectrum line spacing greater than 3 KHz no change is required.
- For devices with spectrum line spacing equal to or less than 3 KHz, the resolution bandwidth must be reduced below 3 KHz until the individual lines in the spectrum are resolved. The measurement data must then be normalized to 3 KHz by summing the power of all the individual spectral lines within 3 KHz band (in linear power units) to determine compliance.
- If the spectrum line spacing cannot be resolved on the available spectrum analyzer, the noise density function on most modern conventional spectrum analyzer will directly measure the noise density normalized to 1 Hz noise power bandwidth. Add 30 dB for correction to 3 KHz.
- Should all the above fail or any controversy develop regarding accuracy of measurement, the Laboratory will use HP 89440A Vector Signal Analyzer for final measurement unless a clear showing can be made for a further alternate.

- Assessed by ITI (UK) Competent Body, NVLAP (USA) Accreditation Body & ACA/AUSTEL (Australia)
- Accredited by Industry Canada (Canada) under ACC-LAB (Europe/Canada MRA)
- Recognized/Listed by FCC (USA)
- All test results contained in this engineering test report are traceable to National Institute of Standards and Technology (NIST)

8.6. PROCESSING GAIN OF A DIRECT SEQUENCE SPREAD SPECTRUM

The processing gain may be measured using the CW jamming margin method. Figure 1 shows the test configuration. The test consists of stepping a signal generator in 50 KHz increments across the passband of the system. At each point, the generator level required to produce the recommended Bit Error Rate (BER) is recorded. This level is jammer level. The output power of the transmitting unit is measured at the same point. The Jammer to Signal (J/S) ratio is then calculated. Discard the worst 20% of the J/S data points. The lowest remaining J/S ratio is used when calculating the Process Gain.

The signal to noise ratio for an ideal differentially coherent detection of a differentially encoded BPSK receiver can be derived from the Bit Error Probability (Pb) versus Signal-to-Noise ratio. See attached plot for detailed information.

For measurement of the $(S/N)_o$ we use the Pb of 1.0×10^{-5} minimum.

Ref.: Viterbi, A.J. Principles of Coherent Communications (New York: McGraw-HILL 1966), Pg. 207

Using equation (1) shown above, calculate the signal to noise ratio required for your chosen BER. This value and the measured J/S ratio are used in the following equation to calculate the Process Gain (Gp) of the system.

$$G_p = (S/N)_o + M_j + L_{sys}$$

Where:

(S/N)_o: Theoretical signal to noise ratio required to maintain the normal operation just before the BER appears. In real measurements the maximum error of 0.001 is allowed in an ideal system using their modulation scheme with all codes turned off (i.e. no spreading or processing gain).

M_j: Maximum jammer to Signal Ratio that recorded at the detected BER.

L_{sys}: System losses such as non-ideal synchronization, tracking circuitry, non-optimal baseband receiver filtering and etc... These losses can be in excess of 3 dB for each transmitter and receiver pair. For the purpose of this processing gain calculation we assume a L_{sys} at its minimum value of 2 dB.

Ref.: Dixon, R, Spread Spectrum Systems. (New York: Wiley, 1984), Chapter 1.

- (S/N)_o: Refer to attached curves, BER versus (S/N)_o for Differential Coherent Detection of Differentially Encoded BPSK
- Processing gain $G_p = (S/N)_o + L_{sys} + M_j = (S/N)_o + 2 + M_j$

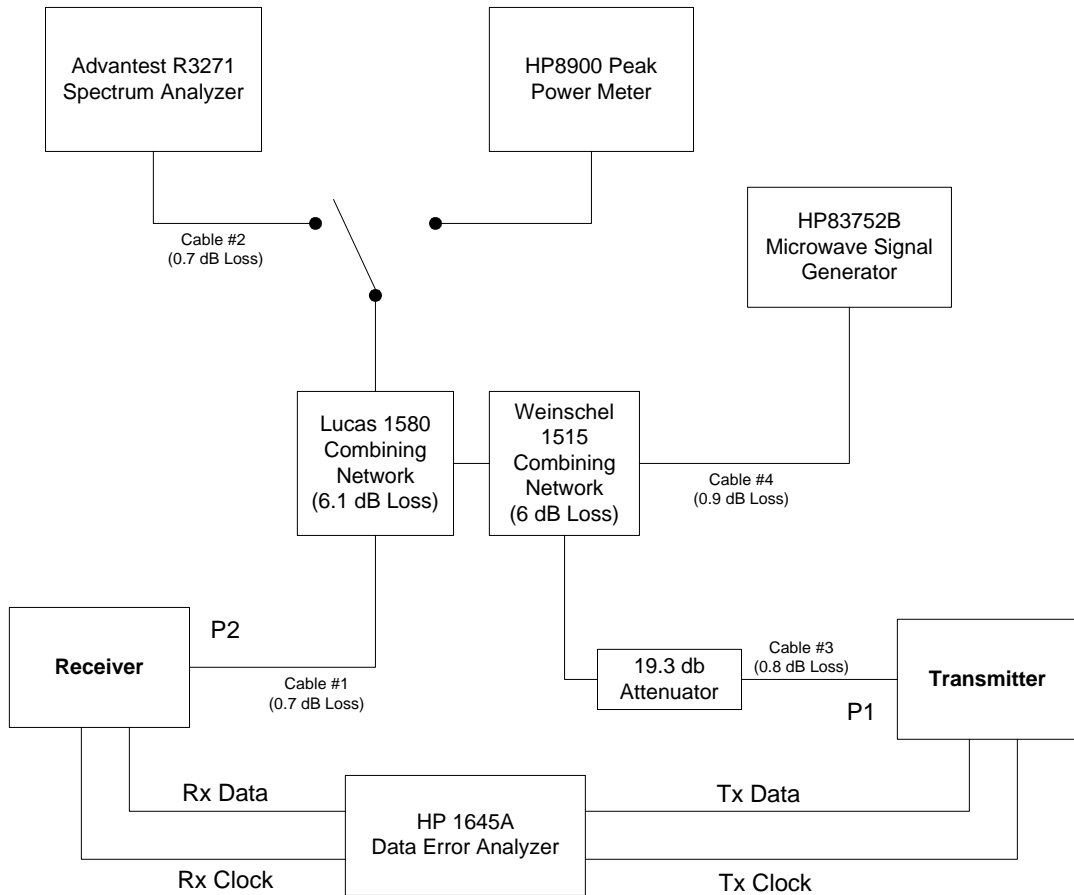
ULTRATECH GROUP OF LABS

3000 Bristol Circle, Oakville, Ontario, Canada L6H 6G4

Tel. #: 905-829-1570, Fax. #: 905-829-8050, Email: vhk.ultratech@sympatico.ca, Website: <http://www.ultratech-labs.com>

File #: GTT-013FTX
March 17, 2000

- Assessed by ITI (UK) Competent Body, NVLAP (USA) Accreditation Body & ACA/AUSTEL (Australia)
- Accredited by Industry Canada (Canada) under ACC-LAB (Europe/Canada MRA)
- Recognized/Listed by FCC (USA)
- All test results contained in this engineering test report are traceable to National Institute of Standards and Technology (NIST)



Loss from P1 to P2 = 32.9

ULTRATECH GROUP OF LABS

3000 Bristol Circle, Oakville, Ontario, Canada L6H 6G4

Tel. #: 905-829-1570, Fax. #: 905-829-8050, Email: vhk.ultratech@sympatico.ca, Website: <http://www.ultratech-labs.com>

File #: GTT-013FTX

March 17, 2000

- Assessed by ITI (UK) Competent Body, NVLAP (USA) Accreditation Body & ACA/AUSTEL (Australia)
- Accredited by Industry Canada (Canada) under ACC-LAB (Europe/Canada MRA)
- Recognized/Listed by FCC (USA)
- All test results contained in this engineering test report are traceable to National Institute of Standards and Technology (NIST)

4.5 Definitions and Performance of Spectral and Power Efficiency

211

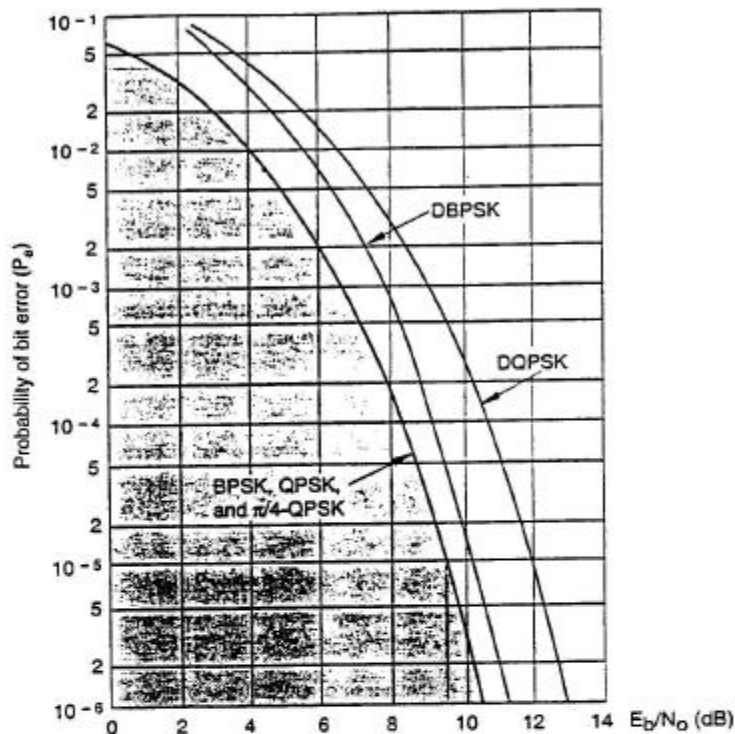


Figure 4.5.1 Theoretical $P_b = f(E_b/N_0)$ performance in a stationary additive white Gaussian noise (AWGN) environment. Ideal, linearly amplified coherent BPSK, QPSK, and differentially demodulated DBPSK systems are illustrated. The performance of non-linearly amplified FQPSK and GMSK is compared to ideal linearly amplified QPSK in Figures 4.3.33 and 4.3.34. (From Proakis, 1989.) See Appendix A.3.

tically equivalent term bit-error rate (BER) is used in applied references and specifications.

Power efficiency of modulated systems is defined as being inversely proportional to the

$$BER = f(C/N)$$

and/or

$$BER = f(E_b/N_0)$$

equations and performance curves, where E_b is the average energy of a modulated bit and N_0 is the noise power spectral density (the noise power in a normalized 1-Hz bandwidth) at the demodulator input. The higher the probability of error, the lower the power efficiency, since transmitted power is "wasted" on more bad data.

ULTRATECH GROUP OF LABS

3000 Bristol Circle, Oakville, Ontario, Canada L6H 6G4

Tel. #: 905-829-1570, Fax. #: 905-829-8050, Email: vhk.ultratech@sympatico.ca, Website: <http://www.ultratech-labs.com>

File #: GTT-013FTX

March 17, 2000

- Assessed by ITI (UK) Competent Body, NVLAP (USA) Accreditation Body & ACA/AUSTEL (Australia)
- Accredited by Industry Canada (Canada) under ACC-LAB (Europe/Canada MRA)
- Recognized/Listed by FCC (USA)
- All test results contained in this engineering test report are traceable to National Institute of Standards and Technology (NIST)