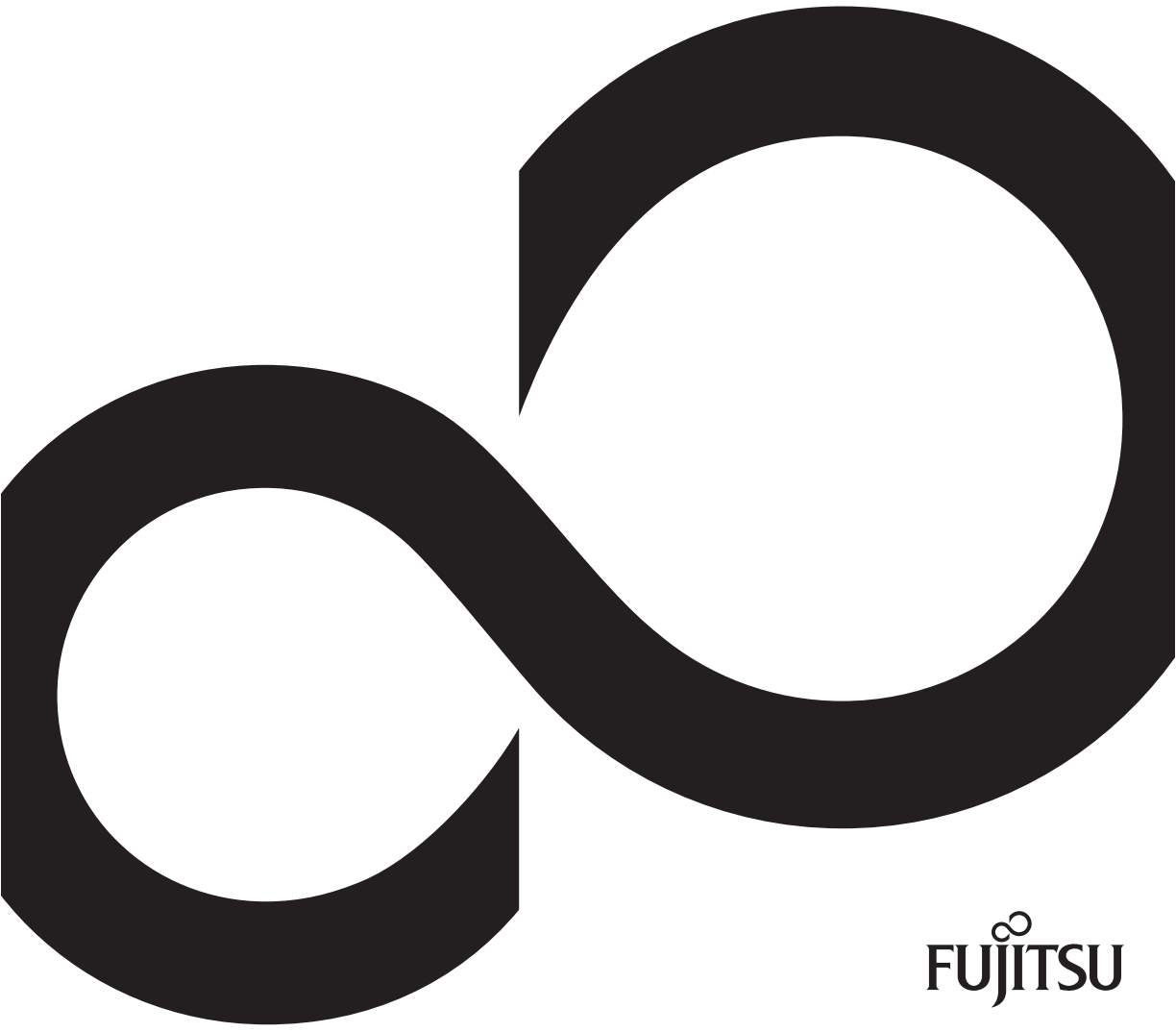


# FUJITSU Tablet STYLISTIC Q509





**Contact address in North America**

FUJITSU AMERICA INC.

1250 East Arques Avenue, Sunnyvale,

CA 94085-3470, U.S.A.

Telephone: 800 831 3183 or 408 746 6000

["http://solutions.us.fujitsu.com"](http://solutions.us.fujitsu.com)

["http://solutions.us.fujitsu.com/contact"](http://solutions.us.fujitsu.com/contact)

Have a question? Email us at: ["AskFujitsu@us.fujitsu.com"](mailto:AskFujitsu@us.fujitsu.com)

**Copyright**

© 2019 Fujitsu America, Inc. All rights reserved

FPC65-7889-01

# FUJITSU Tablet STYLISTIC Q509

## Operating Manual

<b>Declarations of conformity</b>	<b>7</b>
<b>Fujitsu Contact Information</b>	<b>8</b>
<b>Notational conventions</b>	<b>9</b>
<b>Ports and controls</b>	<b>10</b>
<b>Important notes</b>	<b>13</b>
<b>First-time setup of your device</b>	<b>18</b>
<b>Working with the Tablet PC</b>	<b>22</b>
<b>Accessories for your Tablet PC (optional)</b>	<b>45</b>
<b>Security functions</b>	<b>61</b>
<b>Connecting external devices</b>	<b>67</b>
<b>Settings in BIOS Setup Utility</b>	<b>72</b>
<b>Troubleshooting and tips</b>	<b>75</b>
<b>Technical data</b>	<b>82</b>
<b>Manufacturer's notes</b>	<b>87</b>
<b>FCC and IC Regulatory Information</b>	<b>90</b>
<b>Canadian Notice / Avis pour le Canada</b>	<b>94</b>
<b>Appendix</b>	<b>95</b>
<b>Index</b>	<b>108</b>

## **Copyright and Trademark Information**

Fujitsu America, Incorporated has made every effort to ensure the accuracy and completeness of this document; however, as ongoing development efforts are continually improving the capabilities of our products, we cannot guarantee the accuracy of the contents of this document. We disclaim liability for errors, omissions, or future changes.

Fujitsu, the Fujitsu logo and STYLISTIC are registered trademarks of Fujitsu Limited or its subsidiaries in the United States and other countries.

Intel and Intel Core are trademarks or registered trademarks of Intel Corporation or its subsidiaries in the United States and other countries.

Microsoft and Windows are either registered trademarks or trademarks of Microsoft Corporation in the United States and/or other countries.



HDMI and HDMI High-Definition Multimedia Interface and the HDMI Logo are trademarks or registered trademarks of HDMI Licensing, LLC in the United States and/or other countries.

Google is a trademark or registered trademark of Google Incorporated.

Bluetooth is a trademark of Bluetooth SIG, Inc., USA.

USB Type-C is a trademark or registered trademark of the USB Implementers Forum in the USA and other countries.

USB Type-C is a trademark or registered trademark of the USB Implementers Forum in Canada and other countries.

Adobe, Acrobat, and Adobe Reader are either registered trademarks or trademarks of Adobe Systems Incorporated in the United States and/or other countries.

All other trademarks specified here are the property of their respective owners.

# Contents

<b>Declarations of conformity</b> .....	<b>7</b>
<b>Fujitsu Contact Information</b> .....	<b>8</b>
<b>Notational conventions</b> .....	<b>9</b>
<b>Ports and controls</b> .....	<b>10</b>
<b>Important notes</b> .....	<b>13</b>
Safety instructions .....	13
Additional safety notes for devices with wireless components .....	14
Protecting the display screen .....	14
Energy saving .....	14
Energy saving under Windows .....	14
Traveling with your Tablet PC .....	15
Before you travel .....	15
Transporting the Tablet PC .....	16
Cleaning the Tablet PC .....	17
Further information on cleaning the Tablet PC .....	17
<b>First-time setup of your device</b> .....	<b>18</b>
Unpacking and checking the device .....	18
Choose a location .....	19
Connecting the AC adapter .....	19
Switching on the device for the first time .....	20
Installing Bonus Apps .....	21
<b>Working with the Tablet PC</b> .....	<b>22</b>
Status indicators .....	23
Switching the Tablet PC on .....	24
Programming the ON/OFF button .....	24
Switching the Tablet PC off .....	25
Handwriting recognition .....	25
Touchscreen .....	26
Select display orientation (portrait or landscape format) .....	27
Touch commands .....	27
Calibrate the Dual Digitizer for finger-based operation of the device. ....	27
Using the stylus .....	28
Stylus location .....	29
Adjusting the stylus .....	29
Replacing the stylus tip .....	30
Calibrating the stylus .....	30
Securing the stylus .....	31
Tablet buttons .....	32
Webcam .....	33
Rechargeable battery .....	33
Charging and maintaining the battery .....	34
Using the power-saving functions .....	35
Insert SD memory and SIM card .....	36
Insert cards .....	37
Remove cards .....	40
Wireless LAN / Bluetooth / LTE / 4G wireless components .....	43

Switching the wireless components on and off	43
Configuring WLAN access	43
Further information on WLAN and Bluetooth	43
Access via 4G / LTE	43
Ethernet and LAN (optional, only with cradle, keyboard cover or adapter cable)	44
<b>Accessories for your Tablet PC (optional)</b>	<b>45</b>
Your docking cradle (optional)	46
Cradle components	46
Setting up the cradle	47
Connecting the Tablet PC to the cradle	47
Disconnecting the Tablet PC from the cradle	49
Keyboard cover (optional)	50
Components of the keyboard cover	50
Connecting the Tablet PC to the keyboard cover	51
Separating the Tablet PC from the keyboard cover	52
Page left intentionally blank	53
Protective TPU cover with shoulder strap (optional)	54
Components of the protective TPU cover	54
Safety notes	54
Insert the Tablet PC into the protective TPU cover with shoulder strap	54
Remove the Tablet PC from the protective TPU cover	57
Folio cover (optional)	59
Adapter cable (optional)	60
<b>Security functions</b>	<b>61</b>
Configuring the fingerprint sensor (configuration dependent)	62
Using the Security Lock (docking - cradle only)	63
Configuring password protection in BIOS Setup Utility	63
Protecting BIOS Setup Utility (supervisor password and user password)	63
Password protection for booting the operating system	65
Password protection for the hard disk	66
<b>Connecting external devices</b>	<b>67</b>
Connecting an external monitor	67
HDMI port (docking cradle only)	67
VGA monitor port (docking cradle only)	68
Connecting USB devices	69
USB port with charging function (USB Type-C)	70
How to remove USB devices correctly	70
Headphones/microphone/Line-In/Line-Out/headset-combi port	71
<b>Settings in BIOS Setup Utility</b>	<b>72</b>
Starting the BIOS Setup Utility	72
BIOS Setup Utility operation	73
Exiting BIOS Setup Utility	74
Exit Saving Changes - save changes and exit BIOS Setup Utility	74
Exit Discarding Changes - Reject changes and exit BIOS Setup Utility	74
Load Setup Defaults – load default values	74
Discard Changes - Discard Changes without exiting BIOS Setup Utility	74
Save Changes - save changes without exiting the BIOS Setup Utility	74
Save changes and power off	74
<b>Troubleshooting and tips</b>	<b>75</b>

Executing a reset .....	76
Forced shutdown .....	76
Execute a complete reset: Reset BIOS Setup to the standard values .....	76
Help if problems occur .....	76
If you need to restore your system .....	76
The Tablet PC's date or time is incorrect .....	76
Battery charging indicator not lit .....	77
The Tablet PC's touchscreen remains dark .....	77
The display on the Tablet PC's touchscreen is difficult to read .....	77
The external monitor remains blank .....	78
The external monitor is blank or the image is unstable .....	78
The cursor does not correctly follow the stylus movements .....	78
Stylus input not working .....	79
The Tablet PC does not start after switch on .....	79
The Tablet PC stops working .....	79
The printer does not print .....	79
The wireless connection to a network does not work .....	80
The battery discharges too quickly .....	80
Error messages on the screen .....	81
<b>Technical data .....</b>	<b>82</b>
Tablet PC .....	82
Screen resolutions for integrated screen and external screens .....	83
WLAN specifications .....	84
Rechargeable battery .....	85
AC adapter (36 W) for the Tablet PC only (without cradle) .....	85
Docking cradle (optional) .....	85
AC adapter 90 W for the docking cradle (optional) .....	85
Keyboard cover (optional) .....	86
Protective TPU cover with shoulder strap (optional) .....	86
Folio cover (optional) .....	86
Adapter cables (optional) .....	86
<b>Manufacturer's notes .....</b>	<b>87</b>
Disposal and recycling .....	87
Recycling your battery .....	87
DOC (Industry CANADA) Notices .....	88
UL Notice .....	88
ENERGY STAR Compliance .....	89
<b>FCC and IC Regulatory Information .....</b>	<b>90</b>
Regulatory Notes and Statements .....	90
Wireless LAN, Health and Authorization for use .....	90
Regulatory Information/Disclaimers .....	90
Federal Communications Commission and Industry Canada statement: .....	91
Déclaration d'Industrie Canada .....	91
FCC Interference Statement .....	91
FCC Radio Frequency Exposure statement .....	92
Déclaration de la FCC/d'Industrie Canada sur l'exposition aux radiofréquences .....	92
Export restrictions .....	92
Restrictions concernant l'exportation .....	93
<b>Canadian Notice / Avis pour le Canada .....</b>	<b>94</b>

## Contents

---

Canadian Notice .....	94
Avis pour le Canada .....	94
<b>Appendix .....</b>	<b>95</b>
Before Using the Optional Wireless LAN .....	95
Wireless LAN Devices Covered by this Document .....	95
Characteristics of the WLAN Device .....	95
Wireless LAN Modes Using this Device .....	95
Deactivating/Disconnecting the WLAN Device .....	98
Configuring the Wireless LAN .....	98
Connection to the network .....	98
Troubleshooting the WLAN .....	98
Using the Bluetooth Device .....	100
4G Sierra Wireless AirPrime EM7455B Regulatory and Safety Information .....	101
Image Backup and Recovery Procedures .....	104
Windows 10 Procedures .....	104
Creating a recovery drive .....	104
Recovery options in Windows 10 .....	104
Downloading driver updates .....	107
<b>Index .....</b>	<b>108</b>



# Declarations of conformity



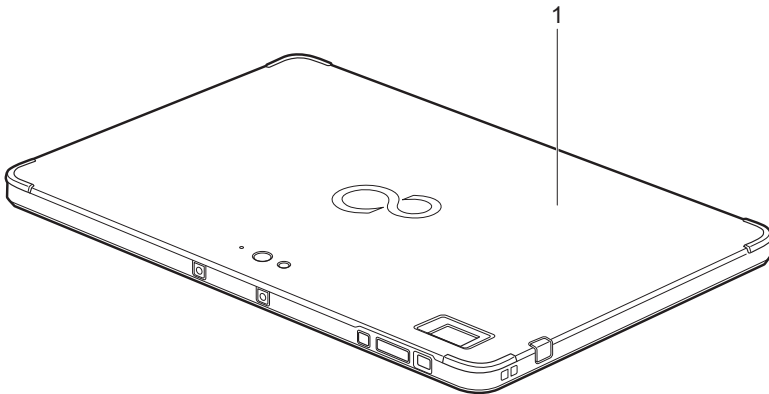
## DECLARATION OF CONFORMITY

according to FCC Part 15

Responsible Party Name: Fujitsu America, Inc.  
Address: 1250 E. Arques Avenue  
Sunnyvale, CA 94085  
Telephone: (408) 746-6000  
Declares that product: Base Model Configuration: STYLISTIC Q509  
Complies with Part 15 of the FCC Rules.

This device complies with Part 15 of the FCC rules. Operations are subject to the following two conditions: (1) This device may not cause harmful interference. (2) This device must accept any interference received, including interference that may cause undesired operation.

Model ref. of certification: MQ10A



1 = Declaration of conformity

# Fujitsu Contact Information

## Service and Support

You can contact Fujitsu Service and Support in the following ways:

- Toll free phone: 1-800-8Fujitsu (1-800-838-5487)
- Website: ["http://solutions.us.fujitsu.com/www/content/support/contact/index.php"](http://solutions.us.fujitsu.com/www/content/support/contact/index.php)



Before you place the call, have the following information ready so that the customer support representative can provide you with the fastest possible solution:

- Product name
- Product configuration number
- Product serial number
- Purchase date
- Conditions under which the problem occurred
- Any error messages that have occurred
- Type of device connected, if any

## Fujitsu Shopping Online

Please go to ["http://www.shopfujitsu.com/store/ "](http://www.shopfujitsu.com/store/).





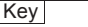
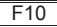
## Maintaining Latest Configuration

To ensure that you always have the most current driver updates related to your system, you should occasionally access the Fujitsu Software Download Manager (FSDM) utility. The FSDM utility is available from the Fujitsu Support site. FSDM will allow you to view a list of the most current drivers, utilities and applications to determine whether you have the latest versions. If you have a Windows operating system, you will need to go to the Support Site to download the FSDM Utility: ["http://support.fujitsupc.com/CS/Portal/support.do?srch=DOWNLOADS"](http://support.fujitsupc.com/CS/Portal/support.do?srch=DOWNLOADS).

## Limited Warranty

Your STYLISTIC Tablet PC is backed by a Fujitsu International Limited Warranty. Check the Limited Warranty Terms and Conditions Booklet that came with your Tablet PC.

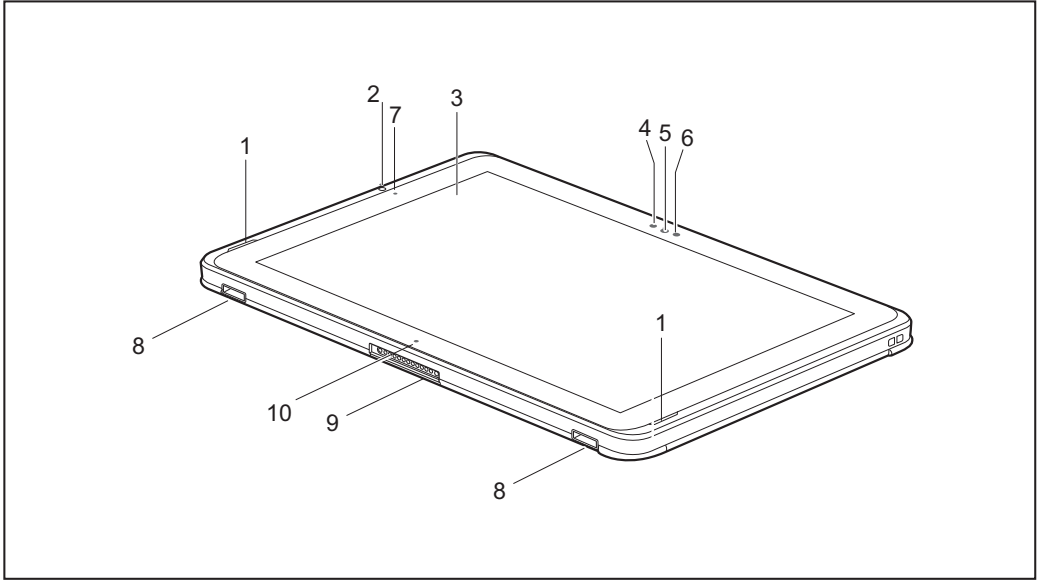
# Notational conventions

	Pay particular attention to text marked with this symbol. Failure to observe this warning will endanger your life, will damage the device or lead to loss of data. The warranty will be invalidated if the device becomes defective through failure to observe these warnings.
	Indicates important information which is required to use the device properly.
	indicates an activity that must be performed
	indicates a result
<b>This style</b>	indicates data entered using the keyboard in a program dialogue or at the command line, e.g. your password ( <b>Name123</b> ) or a command used to start a program ( <b>start.exe</b> )
This style	indicates information that is displayed on the screen by a program, e.g.: Installation is complete.
<i>This style</i>	indicates <ul style="list-style-type: none"> <li>• terms and texts used in a software interface, e.g.: Click on <i>Save</i>.</li> <li>• names of programs or files, e.g. <i>Windows</i> or <i>setup.exe</i>.</li> </ul>
"This style"	indicates <ul style="list-style-type: none"> <li>• Cross-references to another section, e.g. "Safety information"</li> <li>• cross-references to an external source, e.g. a web address: For more information, go to "<a href="http://solutions.us.fujitsu.com/">http://solutions.us.fujitsu.com/</a>"</li> <li>• names of CDs, DVDs and titles or designations of other materials, e.g.: "CD/DVD Drivers &amp; Utilities"</li> </ul>
	indicates a key on the keyboard, e.g: 
<b>This style</b>	indicates terms and text that are emphasized or highlighted, e.g.: <b>Do not switch off the device</b>

# Ports and controls

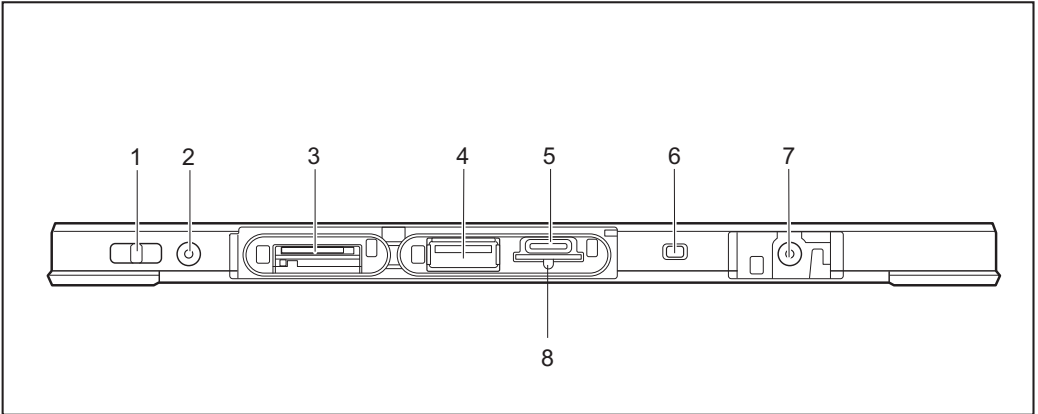
This chapter presents the individual hardware components of your device. It gives an overview of the indicators and connections of the device. Please familiarize yourself with these items before you start to work with the device.

## Front



- |                              |  |
|------------------------------|--|
| 1 = Speaker                  | 7 = Battery charging indicator                             |
| 2 = Power-on indicator       | 8 = Mechanical attachment for the keyboard cover or cradle |
| 3 = Touch screen             | 9 = Docking port   |
| 4 = Ambient light sensor     | 10 = Center alignment point                                |
| 5 = Front webcam             |  |
| 6 = Webcam status LED (blue) |  |

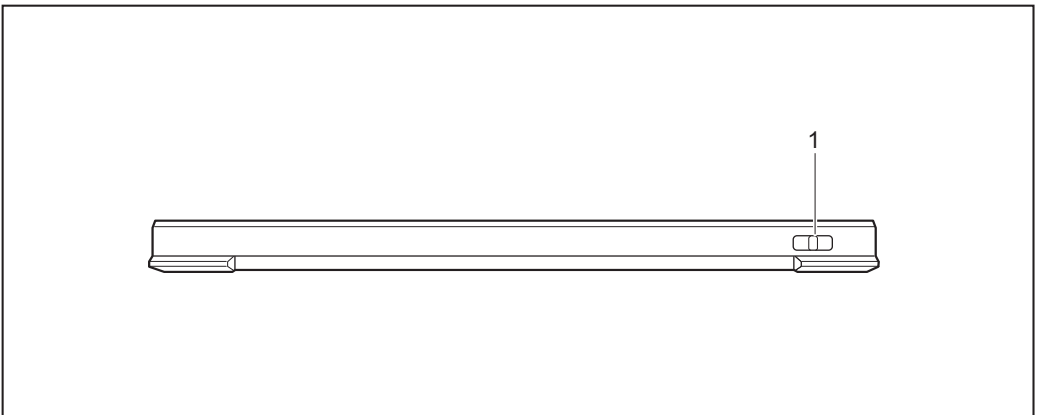
**Left side**



- 1 = Tether eyelet
- 2 = Combined headphones and microphone port (audio combo jack)
- 3 = Combined SIM card slot and microSD slot (protected by cover)
- 4 = USB 3.0 port (protected by cover)

- 5 = USB 3.1 port Gen 1 port with charging function (USB Type C; protected by the cover)
- 6 = Battery charging indicator
- 7 = DC input connector (DC IN, protected by cover)
- 8 = Forced shutdown button

**Right side**

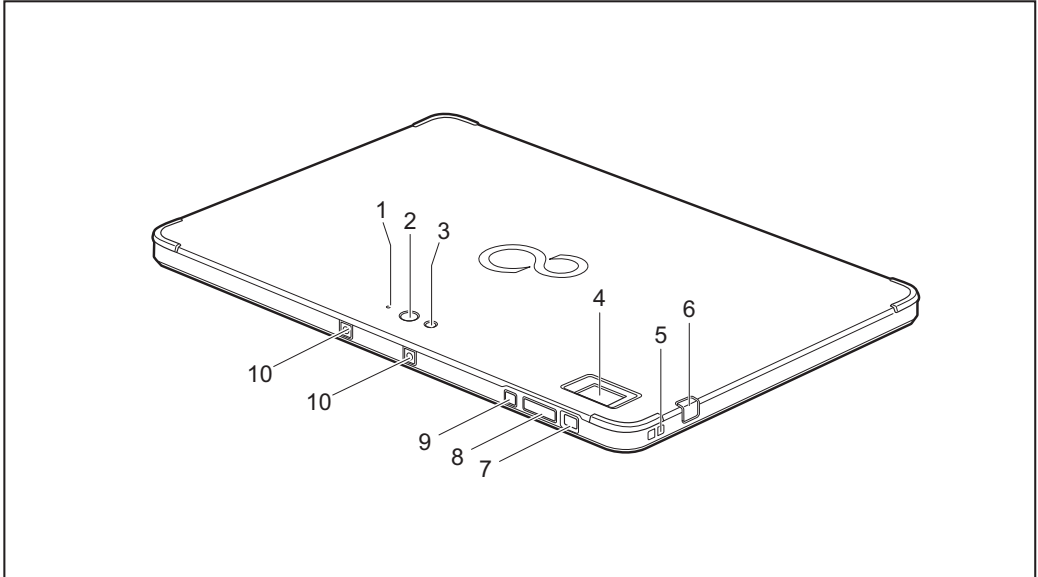


- 1 = Tether eyelet

Rear



Screw holes for securing accessories are device-dependent.



- 1 = Webcam Flash
- 2 = Rear webcam
- 3 = Webcam status LED
- 4 = Fingerprint sensor (depending on configuration)
- 5 = Tether eyelet

- 6 = Stylus garage
- 7 = ON/OFF button
- 8 = Volume up/down button
- 9 = Shortcut button
- 10 = Dual microphones

# Important notes



This chapter contains essential safety information which must be followed when working with your Tablet PC. The other notes provide useful information about your Tablet PC.

## Safety instructions



Please observe the following safety information.

Please pay special attention to the sections in the manual marked with the symbol on the left.

When connecting and disconnecting cables, observe the relevant notes in this operating manual.

Read the information on the ambient conditions in the ["Technical data", Page 82](#) chapter and the ["First-time setup of your device", Page 18](#) chapter before preparing your Tablet PC for use and switching it on for the first time.

When cleaning the device, please observe the relevant notes in the section ["Cleaning the Tablet PC", Page 17](#).

When handling this device, you will come into contact with lead, a chemical which in California is held to be a possible cause of birth defects and other damage to fertility.

Wash your hands after using the device.

Do not place the device on uneven or unstable surfaces.

Do not place any objects on the device.

Do not apply any pressure to the device.

Do not use the corners of the display to move it.

Turn the display carefully. In doing so, do not use excessive force.

Lift and carry the device by holding it at the bottom and not just at the display.

Prevent harsh impacts, vibrations and shaking of the device and the display.

On devices with touchscreen: Use very little pressure to carefully tap and write on the display.

Keep the ventilation slots free.

Switch off the device before you put it inside a bag or backpack.

In emergencies (e.g. damage to the device or power cable, entry of liquids or foreign objects), immediately switch off the device and disconnect the AC plug. Short circuit, smoke and/or fire may occur as a result. Please contact your sales outlet or our Hotline/Service Desk.

This Tablet PC complies with the relevant safety regulations for data processing equipment. If you have questions as to whether you can set up the Tablet PC in the intended environment, please contact your sales outlet or our hotline/service desk.

## Additional safety notes for devices with wireless components

If a radio component (Wireless LAN, Bluetooth, 4G) is integrated in your Tablet PC, you must be sure to observe the following safety precautions concerning your Tablet PC:

- Switch off the wireless components when you are in an aircraft or driving in a car.
- Switch off the wireless components when you are in a hospital, an operating room or near a medical electronics system. The transmitted radio waves can impair the operation of medical devices.
- Switch off the wireless components, when you let the device get near flammable gases or into hazardous environments (e.g. gas station, paint stores), as the transmitted radio waves can cause an explosion or a fire.



For further information on how to switch the wireless components on and off, refer to section ["Switching the wireless components on and off", Page 43](#).

## Protecting the display screen



Do not pour liquids onto the device or wash it with a heavily soaked cloth. Do not place any items on top of the display in order to prevent it from being damaged.

During normal use of the device, small particles from the environment can become embedded in the stylus tip and scratch the screen. The warranty does not cover a scratched screen.

If the Tablet PC is connected to the optional keyboard cover and is in Clamshell mode or if the Tablet PC is connected to the optional cradle, never lift or carry the device by the LCD screen. Excessive stress can damage the LCD screen. Always lift or carry the device with both hands on the base of the keyboard or cradle base.

## Energy saving

If you will not be using your Tablet PC, switch it off. Switch off any connected external devices when they are not in use. If you use the energy saving functions, the Tablet PC uses less power. If you do this, you will be able to work longer with the Tablet PC before having to recharge the battery.



The energy efficiency is increased and environmental pollution is reduced. You save money and help protect the environment.

## Energy saving under Windows

- ▶ Make use of the available energy-saving functions as described in chapter ["Using the power-saving functions", Page 35](#).



## Traveling with your Tablet PC

Please follow the instructions below when traveling with your Tablet PC.

### Before you travel

- ▶ Backup any important data that is saved on your hard disk.
- ▶ Switch off the radio component for data security reasons. With data traffic via a wireless connection, it is also possible for unauthorized third parties to receive data.



Information on activating data encryption is provided in the documentation for your radio component.

- ▶ If you want to use your Tablet PC during a flight, ask the flight attendants to see if it is safe to use it.

### When traveling in other countries

- ▶ If you are traveling abroad, check that the AC adapter can be operated with the local AC voltage. If this is not the case, obtain the appropriate AC adapter for your Tablet PC. Do not use any other converter!
- ▶ Check whether the local AC voltage and the AC cable are compatible. If this is not the case, buy an AC cable that suits the local conditions.
- ▶ Enquire with the appropriate government office of the country you will be travelling in as to whether you may operate the radio component integrated in your Tablet PC there.
- ▶ Take the necessary travel adapters with you when traveling abroad. Check in the following table for which travel adapters you will need, or ask your travel organizer.

Power connection	Travel destination
 	United States, Canada, Mexico, parts of Latin America, Japan, Korea, Philippines, Taiwan
	Russia and the Commonwealth of Independent States (CIS), much of Europe, parts of Latin America, the Middle East, parts of Africa, Hong Kong, India, much of south-east Asia
	United Kingdom, Ireland, Malaya, Singapore, parts of Africa
	China, Australia, New Zealand

## Transporting the Tablet PC



Protect the Tablet PC from severe shocks and extreme temperatures (e.g. direct sunlight in a car).

- Do not transport your Tablet PC while it is turned on.
  - Carry your Tablet PC with you while traveling. Do not check it in as baggage.
  - Never put your Tablet PC through a metal detector. Have it hand-inspected by security personnel. You can however put your Tablet PC through a properly tuned X-ray machine. To avoid problems, place it close to the entrance of the machine and remove it as soon as possible or have it hand-inspected by security personnel. Security officials may require you to turn your Tablet PC on. So make sure you have a charged battery on hand for this.
- 
- ▶ Switch the Tablet PC off.
  - ▶ Unplug the AC plug of the AC adapter and all external devices from the power outlets.
  - ▶ Disconnect the AC adapter cable and the data cables for all external devices.
  - ▶ To protect against damaging jolts and bumps, use a suitable Tablet PC carrying case to transport your Tablet PC.

## Cleaning the Tablet PC



- Do not clean any interior parts yourself; leave this job to a service technician.
- Only use detergents designed for computers. Normal household cleaners and polishes can damage the labels on the keyboard and the Tablet PC, the paintwork or the Tablet PC itself.
- Never use ammonia, acidic, or alkaline cleaners or organic chemicals such as paint thinner, acetone or kerosene as these may damage surface finishes and the coating of the LCD screen.
- Use of incorrect cleaners can result in optical impairment of the LCD display screen and / or damage to the tablet PC. Always refer to the cleaner manufacturer's guidelines and material safety data sheets for proper handling and use of the products.
- Never use compressed air for cleaning your computer.
- Make sure that no liquid can enter the ports or slots because this can cause damage to the Tablet PC.

## Further information on cleaning the Tablet PC

The touchscreen is very sensitive to scratches! Only clean the display surface with a very soft, slightly damp cloth.

- ▶ Switch the Tablet PC off.
- ▶ To prevent the device from being switched on unintentionally, remove the AC plug of the AC adapter from the power outlet.
- ▶ The surfaces may be cleaned with a dry cloth. If particularly dirty, use a cloth which has been moistened in mild domestic detergent and then carefully wrung out.



If the Tablet PC is exposed to water or other liquids when its connection-ports are open, liquid can penetrate the Tablet PC and cause a malfunction. Do not continue to use the Tablet PC. Switch it off and contact our hotline / our service desk (see enclosed list of service desks or visit our website at: "<http://www.fujitsu.com/us/support/>").

# First-time setup of your device



Please read the chapter "[Important notes](#)", [Page 13](#).

If your device is equipped with a Windows operating system, the necessary hardware drivers and supplied software are already pre-installed.

Before switching it on for the first time, connect the device to the AC voltage using the AC adapter, see "[Connecting the AC adapter](#)", [Page 19](#). The AC adapter must remain connected during the whole of the installation process.

A system test is performed when your device is first switched on. Various messages can appear. The display may remain dark for a short time or may flicker.

Please follow the instructions on the screen.

NEVER switch off your device during the first-time setup process.

The battery must be charged if you want to operate your device using the battery.

When used on the move, the built-in battery provides the device with the necessary power. You can increase the operating time by using the available energy-saving functions.

For instructions on how to connect external devices (e.g. mouse, printer) to your Tablet PC, please refer to the operating manual for your device.

## Unpacking and checking the device



If you find that damage has occurred during transport, please notify your local sales outlet immediately!

- ▶ Unpack all the individual parts.
- ▶ Check your device for any visible damage which may have occurred during transportation.



You may need to reuse the packaging in the future, for example if you need to ship your device.

## Choose a location



Choose a suitable location for the device before setting it up. In doing so, please follow these instructions:

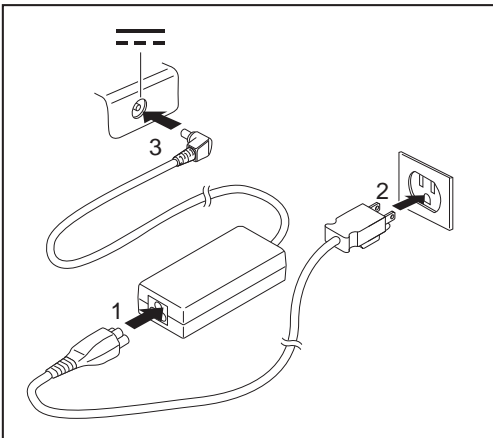
- Never place the device or the AC adapter on a heat-sensitive surface. The surface could be damaged as a result.
- Never place the device on a soft surface (e.g. carpeting, upholstered furniture, bed). This can result in damage caused by overheating.
- The back of the device heats up during normal operation. Prolonged contact with skin can become unpleasant or even result in burns.
- Place the device on a stable, flat, non-slippery surface. Please note that the rubber feet of the device may mark certain types of delicate surfaces.
- Keep other objects at least 100 mm / 3.94 inches away from the device and its AC adapter to ensure adequate ventilation.
- Do not expose the device to extreme environmental conditions. Protect the device against dust, humidity and heat.

## Connecting the AC adapter



Please follow the safety notes in section "[Important notes](#)", Page 13.

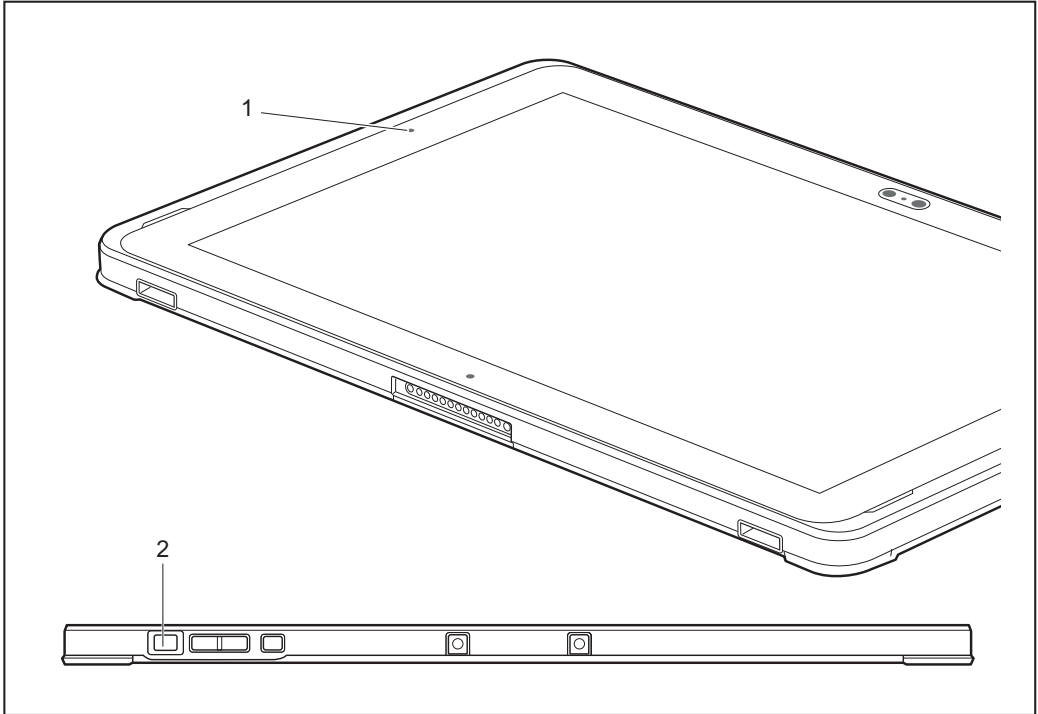
The supplied AC cable conforms to the requirements of the country in which you purchased your device. Make sure that the AC cable is approved for use in the country in which you intend to use it.



- ▶ Connect the AC cable (1) to the AC adapter.
- ▶ Plug the AC cable (2) into a power outlet.
- ▶ Connect the AC adapter cable (3) to the DC jack (DC IN) of the device.

## Switching on the device for the first time

To make it easier to use your device for the first time, the operating system is pre-installed on the hard disk.



- ▶ Press the ON/OFF button (2) for about one second to switch the device on.
- ↳ The power-on indicator (1) illuminates when the device is switched on.
- ▶ During the installation process, follow the on-screen instructions.



You can find information and help on the Windows operating system functions on the Internet at ["http://windows.microsoft.com"](http://windows.microsoft.com).

## Installing Bonus Apps

The *Fujitsu Bonus Apps* utility can be accessed via the *Start* menu.

- ▶ In the *Start* menu, click on *Fujitsu Extras*.
- ▶ Double-click on the *Application* folder.
- ▶ Double-click on the shortcut *Fujitsu BonusApps*.
- ▶ In the dialog box *User Account Control* by clicking *Yes* confirm you wish to enter *Fujitsu Bonus Apps*.
- ▶ Select the applications you wish to install by selecting the checkbox adjacent to your selection.

or

- ▶ Click *Select All* if you would like to install all available applications.
- ↳ Applications that are already installed appear in grey, those that are available for installation appear in blue.
- ▶ To confirm your selection, click *Install*.



Note that in some cases (depending upon which application was selected for installation) after installation completes, the system will prompt you to reboot.

There are also cases in which if multiple applications are selected to install but one of them needs a reboot, the system will reboot and continue installing the rest of the selected applications.

# Working with the Tablet PC

This chapter describes the basics for operating your Tablet PC. You can find instructions on how to connect external devices (e.g. mouse, flash storage) to the Tablet PC in the chapter ["Connecting external devices", Page 67](#).

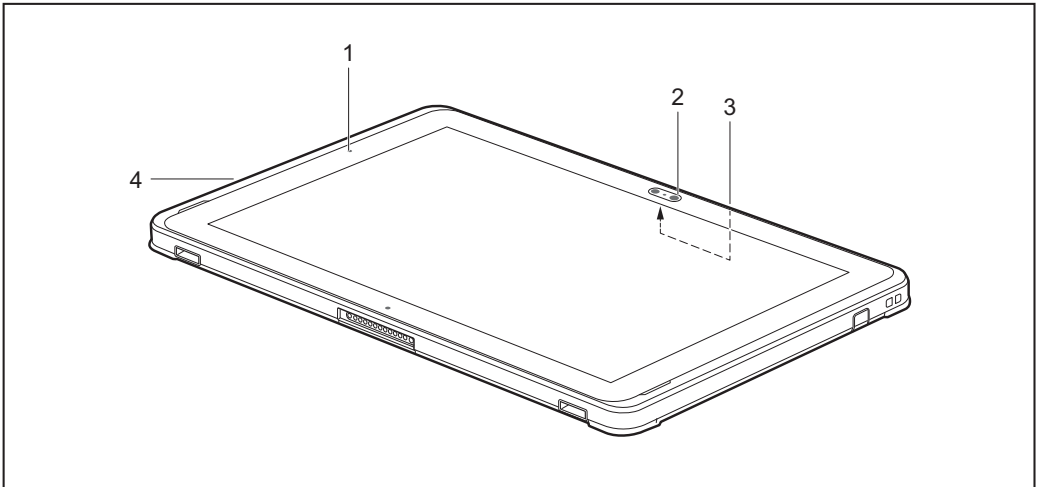





Please refer to the notes in the chapter ["Important notes", Page 13](#).



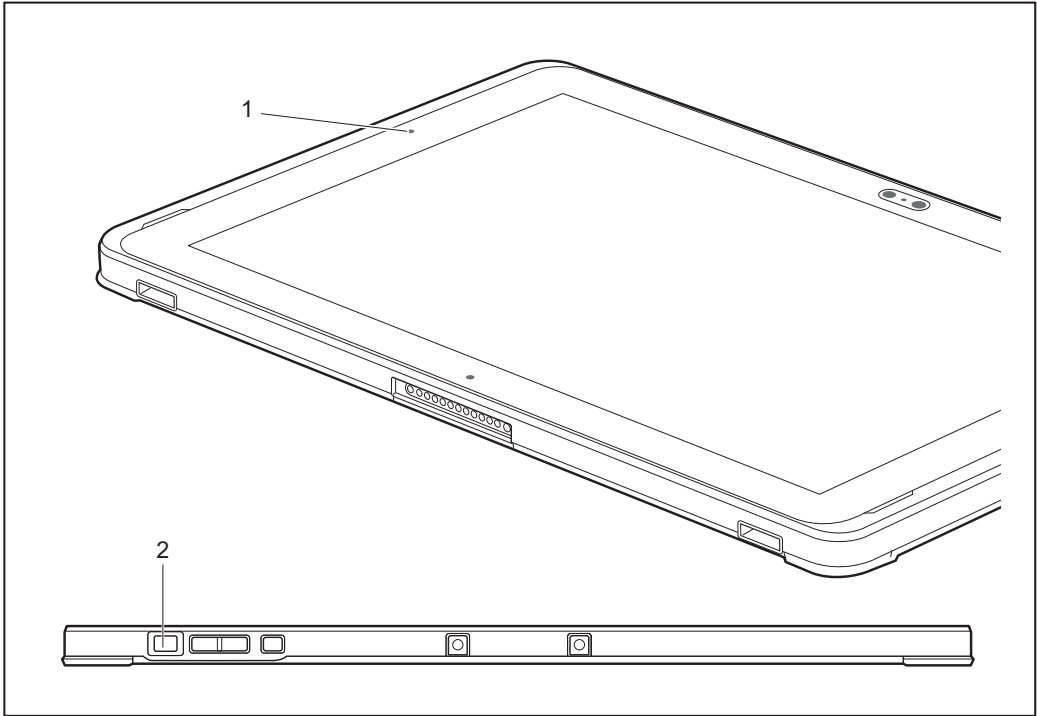
## Status indicators

Status indicators (1, 2, 3, 4) provide information about the statuses of the power supply, the battery and the WebCams.



No.	Status indicator	Description
1		<b>Power-on indicator</b> <ul style="list-style-type: none"> <li>The indicator lights up white: The Tablet PC is switched on or in sleep mode.</li> <li>The indicator is not lit up: The Tablet PC is switched off.</li> </ul>
2, 3		<b>WebCam indicators, front and back side</b> <ul style="list-style-type: none"> <li>Indicator lights up blue: The corresponding WebCam is switched on while the Tablet PC is switched on.</li> <li>The indicator is not lit up: The corresponding WebCam is switched off.</li> </ul>
4		<b>Battery charging indicator, left side</b> Please note: If the AC adapter is connected when the state of charge of the battery is more than 90 %, charging will not be started. When the state of charge of the battery is less than 90 %, the battery will be charged to 100 % as soon as the AC adapter is connected. <ul style="list-style-type: none"> <li>The indicator is lit orange: The battery is being charged.</li> <li>Indicator is not lit: The battery is not being charged (the battery is already fully charged or the AC adapter is not connected).</li> </ul>

## Switching the Tablet PC on



- ▶ Press the ON/OFF button (2) for about one second to switch the device on. For further information, see section ["Switching on the device for the first time", Page 20](#)
- ↳ The power-on indicator illuminates (1) when the device is switched on.

## Programming the ON/OFF button

You can program the ON/OFF button:

Operating system	Menu
Windows 10	<i>Windows 10 Start - Control Panel - (Browse Control Panel - ) Power Options - Choose what the power buttons do</i>



If you have assigned a password, you must enter this when requested to do so, in order to start the operating system. Detailed information can be found in the chapter ["Security functions", Page 61](#).

## Switching the Tablet PC off



Back up your data and close all applications before you switch off your device. Otherwise data might be lost.

- ▶ Shut down the operating system correctly.
  - ▶ If the Tablet PC does not switch itself off automatically, press the ON/OFF button for approx. 5 seconds.
- or
- ▶ The reset button (forced shutdown) is located on the left-hand side of the device, beneath the USB port (USB Type C). Press the small reset button to achieve the same effect as removing the battery.

## Handwriting recognition

For detailed information on handwriting recognition, see the documentation for your operating system.

At present, handwriting recognition on Windows supports the following languages:

English, German, French, Italian, Japanese, Korean, Chinese (traditional and simplified), Dutch, Portuguese, Spanish, Brazilian, Norwegian (Bokmål and Nynorsk), Swedish, Finnish, Danish, Polish, Rumanian, Serbian (Cyrillic and Latin script), Catalan, Russian, Czech and Croatian.

On Windows you can set the required language under *Control Panel – Time, Language and Region – Language*.

## Touchscreen



If the Tablet PC is connected to the optional keyboard cover and is in Clamshell mode or if the Tablet PC is connected to the optional cradle, never lift or carry the device by the LCD screen. Excessive stress can damage the LCD screen. Always lift or carry the device with both hands on the base of the keyboard or base.



Information on the screen resolution can be found in the section "[Screen resolutions for integrated screen and external screens](#)", Page 83.

High-quality LCD screens (TFT) are installed in Fujitsu Tablet PCs. For technical reasons, these screens are manufactured for a specific resolution. An optimal, clear picture can only be ensured in the resolution intended for the particular monitor. A screen resolution which differs from the specification can result in a blurred picture.

The screen resolution of your Tablet PC's touchscreen is optimally set at the factory.

As per the current state of production technology, an absolutely error-free screen display cannot be guaranteed. There may be a few consistently bright or dark pixels (image elements).

### Background lighting

LCD screens are operated with background lighting. The luminosity of the background lighting can decrease over the period of use of the Tablet PC. However, you can set the brightness of your screen yourself.

### Ambient light sensor

If your Tablet PC was shipped with the *Windows* operating system, the screen brightness is regulated by means of the ambient light sensor and depending on the respective light conditions. This results in optimum readability and longer battery life at the same time.

If your Tablet PC was shipped with Windows 10, the adaptive brightness setting is activated. To change the ambient light sensor settings, select *Control Panel - System and Security - Power Options - Change plan settings - Change advanced power settings - Display - Enable adaptive brightness..*

### Synchronizing the display on the touchscreen and an external monitor

In Windows 10 you can proceed as follows to set the output type:

- ▶ Wipe your finger over the screen starting from the right-hand edge.
- ▶ Select *All settings*.
- ▶ Look for the keyword "project".
- ▶ Select the required function.

## Select display orientation (portrait or landscape format)

You can choose to use either portrait or landscape for the display, or whether the screen orientation should automatically adjust to the orientation of the tablet PC.



You can change these settings under *Control Panel - Hardware and Sound - Windows Mobility Center / Rotate screen*.



In the settings there are profiles saved for operation with different screen orientations. These profiles have preset standard configurations that can be modified as desired.

These settings do not just affect the monitor settings on the Tablet PC, but also on external monitors that are connected.

## Touch commands

You can execute certain commands by using your finger tip on the touchscreen of your device.



Alternatively, everything which you can select or activate using your finger tip can also be selected or activated using the stylus.

## Calibrate the Dual Digitizer for finger-based operation of the device.



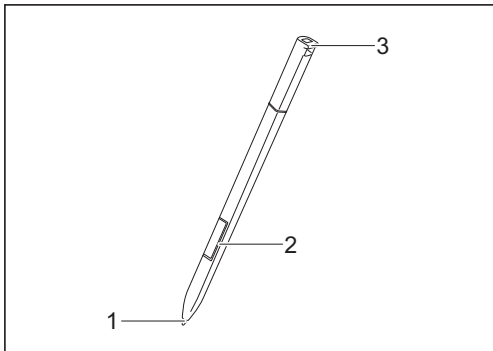
Before the first finger-based operation, you must calibrate your Tablet PC via the operating system, so that it recognizes your fingertips as accurately as possible.

As soon as you notice that the accuracy is deteriorating, you must recalibrate the device.

Please note: There are separate calibration programs available for calibrating the stylus and for calibrating finger-based operation. Do not use the calibration tool for the stylus to calibrate finger-based operation.

Operating system	Menu
Windows 10	To calibrate, run the <i>Hardware and Sound / Tablet PC Settings</i> function in the Control Panel. You need to calibrate both portrait and landscape formats.

## Using the stylus



- 1 = stylus tip
- 2 = stylus button (right mouse button)
- 3 = eyelet for stylus tether

You can use the stylus on your Tablet PC as an electronic writing tool, to select menu items and to navigate through the programs. Programs that support handwriting recognition also allow you to write directly on the screen with the stylus. You can also use the stylus as a drawing tool.

The Tablet PC is supplied with a stylus tether which you can attach to the eyelets on the stylus and on the Tablet PC.



Use only the stylus that was provided with your Tablet PC. Do not use any other pointed object as a substitute, that was not specially designed for your Tablet PC. Replace the stylus tip if it is worn. The warranty does not cover a scratched screen.

While writing, take care that you do not scratch the surface of the display (e.g. with a wristwatch or bracelet).



The stylus of the Tablet PC is an electronic instrument that can be damaged if used improperly. Handle the stylus with care.

Our recommendations for proper handling of the stylus are as follows:

- Do not gesture with the stylus.
- Do not use the stylus as a pointer.
- Do not use the stylus on surfaces other than the screen of the Tablet PC.
- Do not try to turn the grip of the stylus. The grip is used to put the stylus into its garage or to take it out of its garage.
- Never store the stylus with its weight on the tip (e.g. with the tip pointing down in a pen container). If the stylus is stored with the tip pointing down, this may have an adverse effect on the stylus mechanism (particularly under high temperatures). In this case the stylus tip may react as though it is constantly being pressed down. To avoid damage, the stylus should be stored in the garage when not in use.

The stylus can be influenced by electromagnetic fields (cursor quivers or jumps). There may be a few areas on the screen where the cursor quivers slightly in spite of pressing the stylus down firmly.

The screen responds to entries made with the tip of the finger or the stylus when the tip of the finger or the stylus directly touches the screen.

You can use the stylus to perform almost all functions for which you would otherwise use a mouse.

Delete functions are not supported by the stylus.

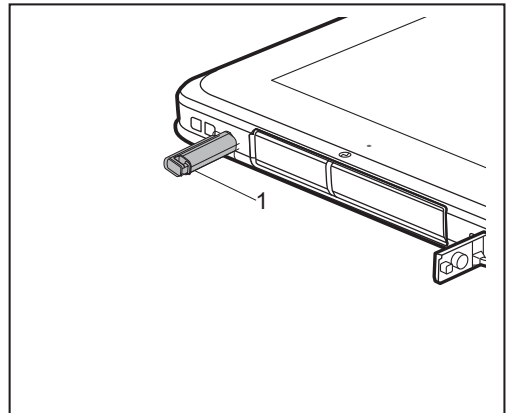
Action	Mouse	Stylus
Selecting menu items	Click with the left mouse button.	Tap on the menu entry with the tip of the stylus.
Starting programs	Double-click with the left mouse button.	Tap on the program symbol twice in rapid succession using the stylus tip.
Moving an object or window	Drag with the left mouse button pressed.	Place the stylus tip directly on the object or window. Keep the stylus tip held against the screen. Drag the desired object or window.
Opening a context menu	Click with the right mouse button.	Tap on the desired element with the stylus and keep the stylus pressed against the screen.
Moving the cursor	Move the mouse	Place the tip of the stylus directly on the screen.

## Stylus location



To prevent the stylus from jamming in its garage, always make sure that you insert the stylus correctly into its garage (the wide side of the stylus should be parallel to the screen of the Tablet PC).

On delivery, the stylus is located in the stylus garage:



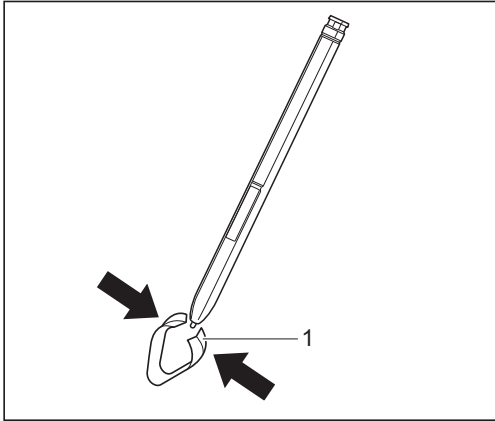
## Adjusting the stylus

Operating system	Menu
Windows 10	Under <i>System Control - Hardware and Sound - Pen and Touch</i> you can make various settings for the stylus.

## Replacing the stylus tip

With use, the stylus tip may become worn or may pick up foreign particles that can scratch the screen. A damaged or worn tip may not move freely, causing unpredictable results when using the stylus.

If your stylus exhibits these problems, replace the stylus tip. To do this, use the supplied tool (1).



- ▶ To remove the tip, position it in the gap between the two ends of the tool supplied.
- ▶ Pinch the two ends of the supplied tool together so that the tip is firmly clasped, then pull it from the barrel.
- ▶ Replace the tip with one of the new tips that were supplied with your stylus. Insert the flat end of the tip into the barrel and exerting gentle pressure, push it in until it is firmly in place.



If the tip is worn or damaged, discard it.

## Calibrating the stylus

Before first use with the stylus, you must calibrate your Tablet PC via the operating system, so that it recognizes the stylus as accurately as possible.

You should also always repeat the calibration if the co-ordination between the stylus and the cursor movement deteriorates.

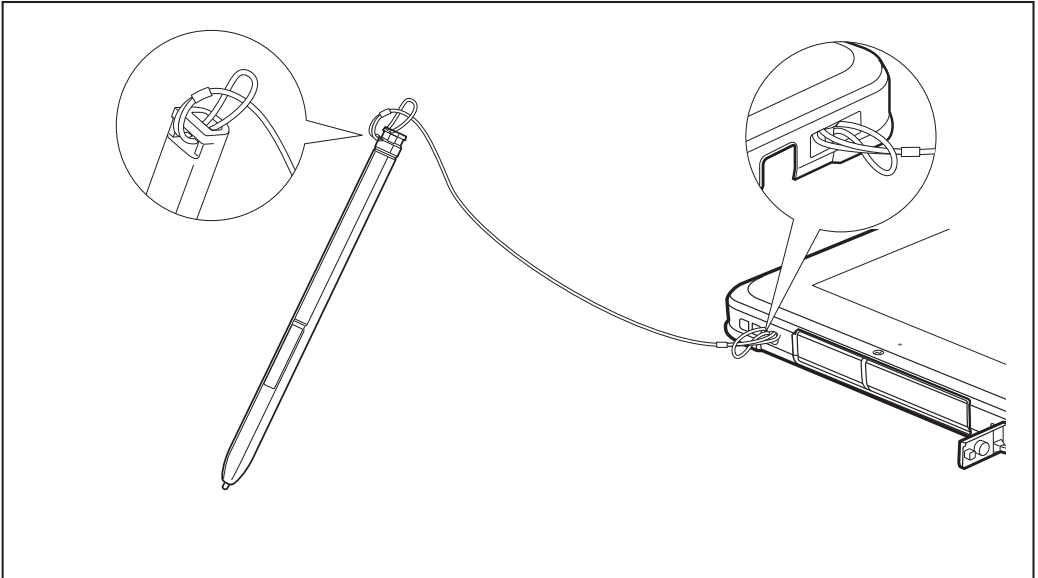
Operating system	Menu
Windows 10	To calibrate, run the <i>Hardware and Sound / Tablet PC Settings</i> function in the Control Panel. You need to calibrate both portrait and landscape formats.



## Securing the stylus

Attach the stylus with a stylus tether to prevent accidentally dropping it or losing it.

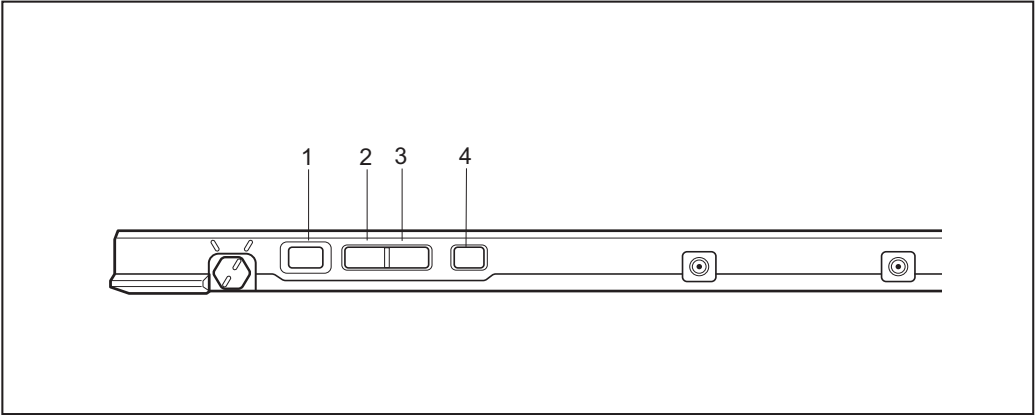
Your device has one eyelet on the left side and one eyelet on the right side for securing the stylus tether (see ["Ports and controls", Page 10](#)). The tether eyelet on the right side is shown below.



- ▶ Attach one end of the stylus cord to the stylus and the other end of the stylus cord to the Tablet PC.

## Tablet buttons

In addition to the ON/OFF button (1), your Tablet PC is fitted with three tablet buttons.



No.	Symbol	Description	Functions
2	+	Volume + button	Increase volume
3	-	Volume - button	Decrease the volume
4	- - -	Shortcut button	Call the status area by pressing or start a screenshot function by a long press (depends on configuration)

## Webcam



Your device has two WebCams: one on the front of the device and one on the rear.

The webcams have their own status indicators. The status indicators light up when the respective webcams are active.

Depending on the software used, you can use your webcam to take pictures, record video clips or take part in web chats.

- The picture quality depends on the lighting conditions and the software being used.
- You can only operate the webcam with a particular application (e.g. an Internet telephony program or a video conferencing program which supports a webcam).
- When using the webcam the support of the Tablet PC must not wobble.
- The webcam automatically adjusts itself to the current light level. For this reason, the touchscreen may flicker while the light level is adjusted.



Further information on use of the webcam and additional settings for your webcam can be found in the help function of the program using the webcam.

## Rechargeable battery

The built-in battery provides the Tablet PC with the necessary power for use on the move. You can increase the service life of the battery by caring for the battery properly. The average battery service life is around 500 charge/discharge cycles.

You can extend the battery service life by taking advantage of the available energy-saving functions.

## Charging and maintaining the battery

The Tablet PC battery can only be charged when the ambient temperature is between 5°C / 41 °F and max. 35°C / 95°F.

You can charge the battery by connecting the Tablet PC to the AC adapter (see "[Connecting the AC adapter](#)", [Page 19](#)).

If the battery is running low you will hear a warning alarm. If you do not connect the AC adapter within five minutes of hearing the warning alarm, your Tablet PC will switch off automatically.

### Monitoring the battery state of charge

A battery symbol for monitoring the battery capacity is displayed in the system bar / status indicator. The battery symbol shows you the battery charge.

### Battery storage

The battery should be stored in a dry environment at a temperature between 0°C / 32°F and 30°C / 86°F. The lower the storage temperature, the lower the rate of self-discharge.



If you will be storing batteries for a longer period (more than two months), the battery charge level should be approx. 30%. To prevent exhaustive discharge which would permanently damage the battery, check the level of charge of the battery at regular intervals.

To be able to make use of the optimum capacity of the battery, you should allow the battery to fully discharge and then recharge it.



If you do not use the batteries for long periods, remove them from the Tablet PC. Never store batteries in the device!

## Using the power-saving functions

The Tablet PC uses less power when the power-saving functions are enabled. You will then be able to work longer when using the battery before having to recharge it.



The energy efficiency is increased and environmental pollution is reduced. By choosing the best power options, you can make significant savings and at the same time help protect the environment.

- ▶ Set the power-saving functions in your Control Panel.

### **When the Tablet PC is in a power-saving mode, you must remember the following:**



During power-saving mode, open data is held in main memory or in a swap file on the hard disk.

Never switch off the Tablet PC while it is in a power-saving mode. If the built-in battery is nearly flat, close all open files and do not go into power-saving mode.

### **If you do not intend to use your Tablet PC for a long period of time:**

- ▶ Exit the power-saving mode if necessary by touching the screen or by switching the Tablet PC on.
- ▶ Close all opened programs and completely shut down the Tablet PC.

## Insert SD memory and SIM card



Whether your device has a SIM card slot depends on whether you have ordered 4G functionality.

With an applicable device configuration, the SIM card slot is located above the SD memory card slot.

### SD Memory cards

Your Tablet PC is equipped with an integrated SD memory card reader. Use SD memory cards to enlarge the storage of your Tablet PC.

The following formats are supported:

- Micro Secure Digital (SD™ Card)
- Micro SDHC
- Micro SDXC



Follow the manufacturer's instructions when handling the SD memory cards.

### SIM cards (optional)

A SIM Card (Subscriber Identity Module) is a chip card which is inserted in a cellular phone or Tablet PC and, together with an integrated 4G/LTE module, enables access to a cellular radio network.



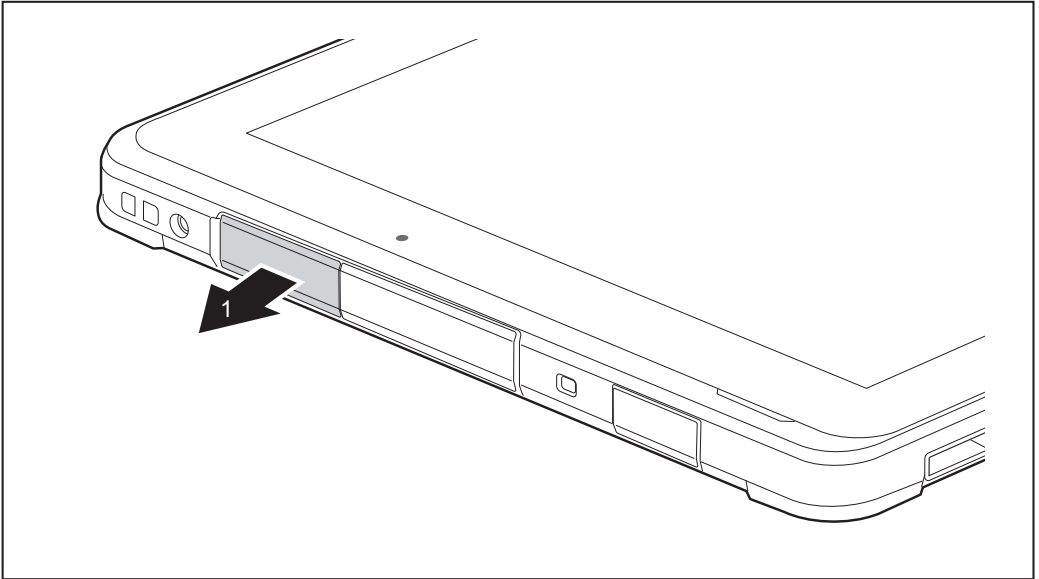
Follow the instructions supplied by the provider of the SIM card. If you do not feel the the SIM card engage as you insert it, use a pointed object to insert the SIM card.



Please note that the SIM card format must be nano-SIM (4FF). Other SIM card formats, such as full-size (1FF) or mini-SIM (2FF) do not fit in the SIM card slot of your Tablet PC.

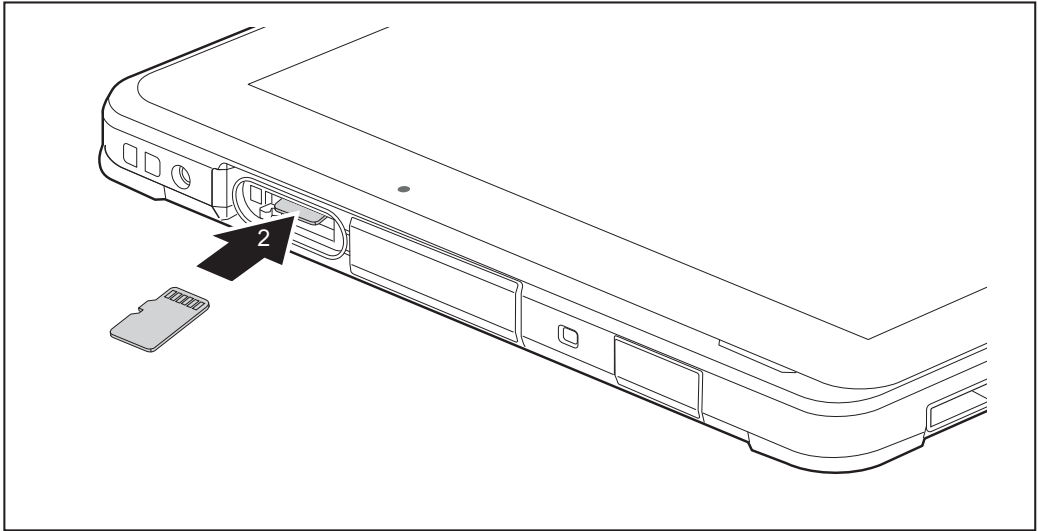
Please do not insert any other format of SIM card as they may become twisted, they could even damage the system.

## Insert cards



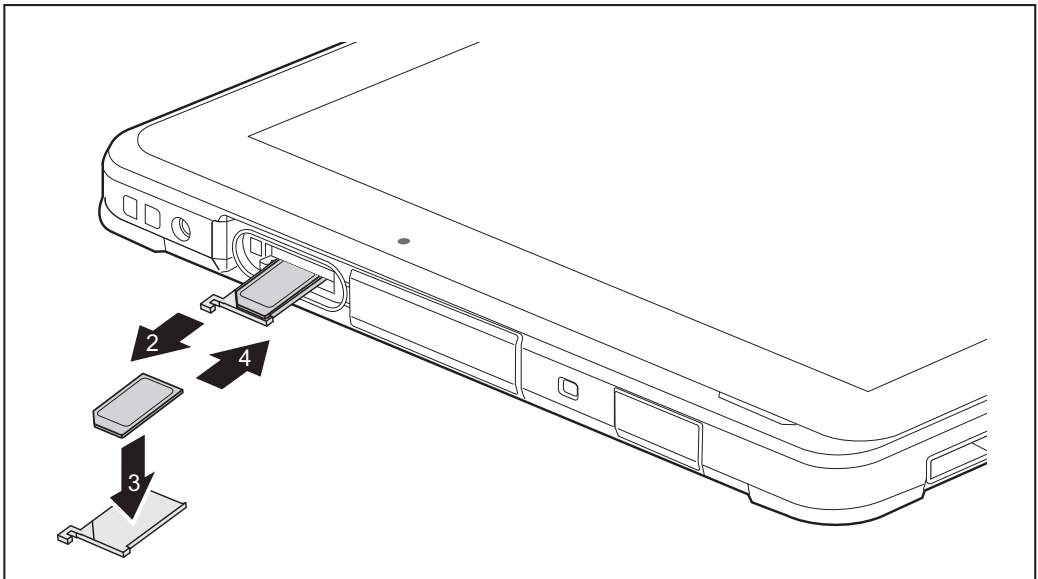
- ▶ Open the SD memory and SIM card slot cover (1).

### Inserting SD memory card



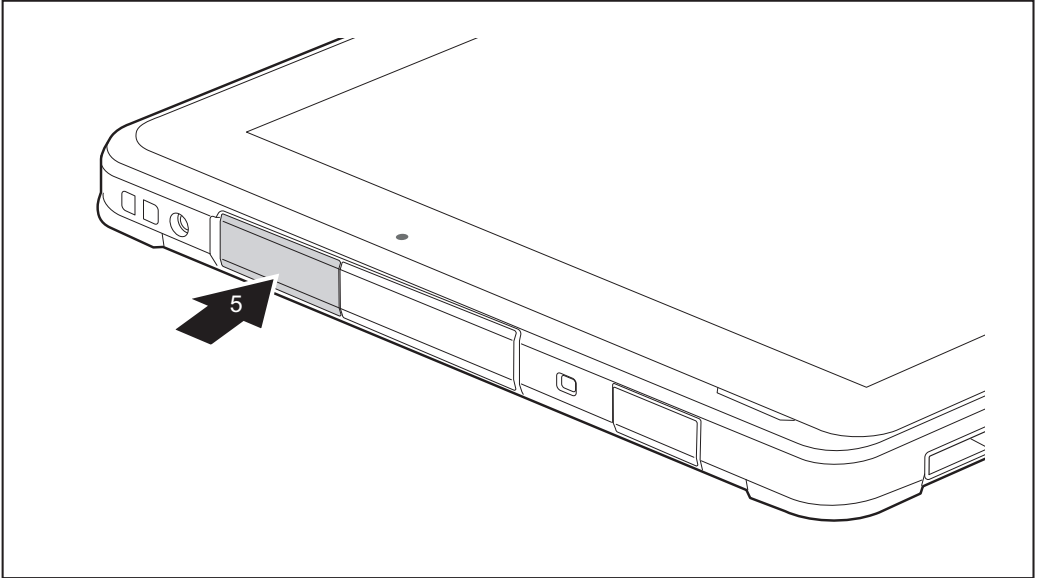
- ▶ Carefully slide the SD memory card into the upper slot (2). The label area must be facing downward. Do not apply any force, otherwise the delicate contact surfaces could be damaged.

### Inserting SIM card (optional)



- ▶ Pull the SIM card carrier out of its lower slot location (2).
- ▶ Place the SIM card (3) in the SIM card carrier as shown.
- ▶ Slide the SIM card carrier back into its location (4).



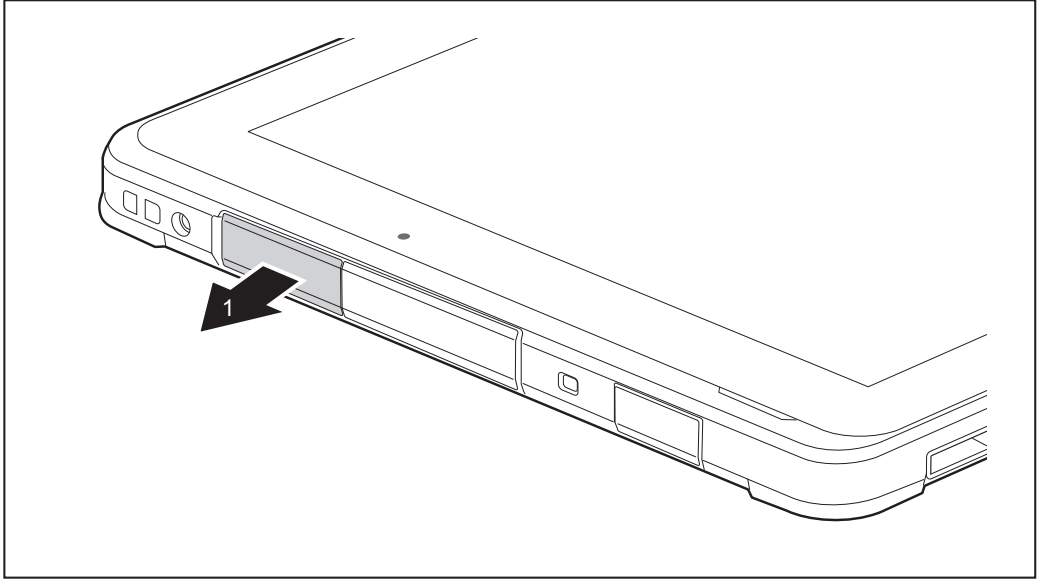


- ▶ Close the SD memory and SIM card slot cover (5).

## Remove cards

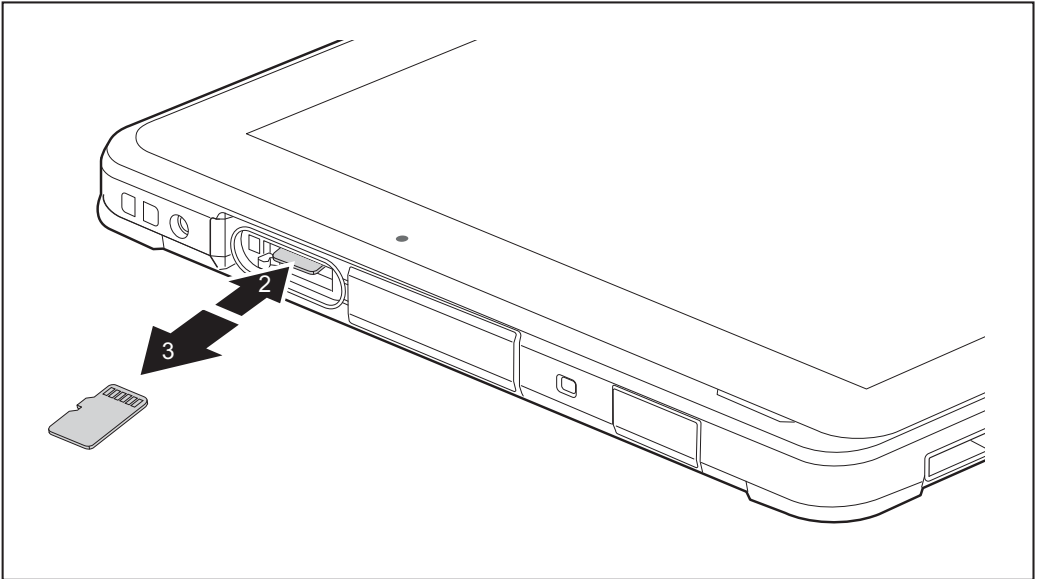


To avoid any loss of data, always follow the correct procedure for removing the cards (see the documentation for your operating system).



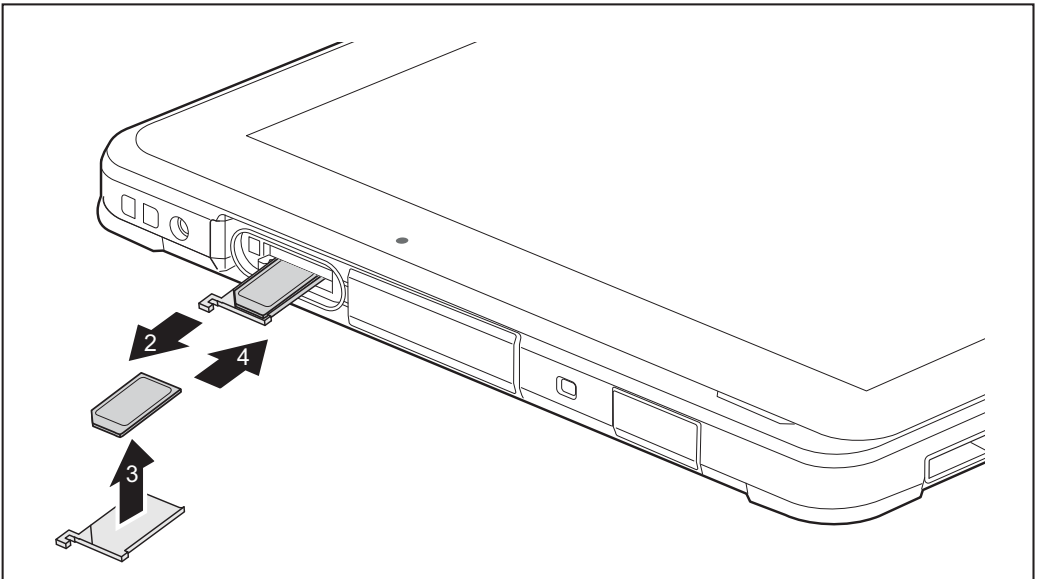
- ▶ Open the SD memory and SIM card slot cover (1).

### Removing SD memory card



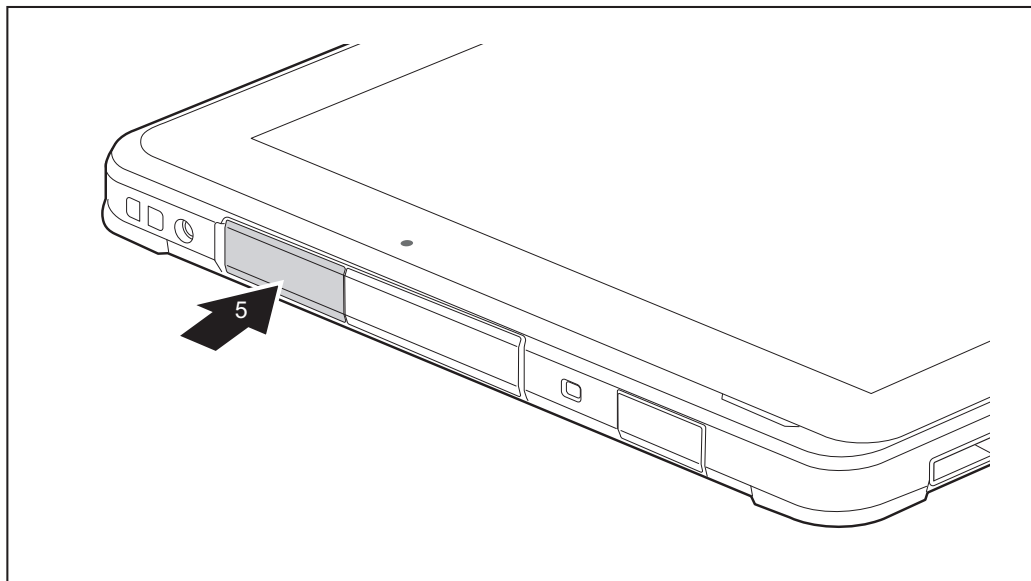
- ▶ Press the edge of the SD memory card in firmly and release, so that it jumps slightly out of the upper slot (2).
- ▶ Pull the SD memory card out of the slot (3).

### Removing SIM card (optional)



- ▶ Remove the SIM card carrier from its location (2).

- ▶ Remove the SIM card from the SIM card carrier (3).
- ▶ Push the SIM card carrier back into its lower mounting slot (4).



- ▶ Close the SD memory and SIM card slot cover (5).

## Wireless LAN / Bluetooth / LTE / 4G wireless components



The installation of radio components not approved by Fujitsu will invalidate the certifications issued for this device.

### Switching the wireless components on and off

The wireless components are switched on and off using the appropriate functions of the operating system.

- ▶ To switch wireless components on and off individually, select *Settings – Network & Internet – Airplane Mode*.

### Configuring WLAN access

- Requirement: A WLAN is available and you have the necessary access data on hand.



Information on configuring WLAN access can be found in the documentation for your operating system.

### Further information on WLAN and Bluetooth

For further information about WLAN or Bluetooth, please refer to the appendix of this Operating Manual.

For WLAN specifications, see chapter ["WLAN specifications", Page 84](#).

### Access via 4G / LTE



The embedded WWAN module option is not available for all products in all regions and requires network support as well as a separately purchased cellular radio contract.

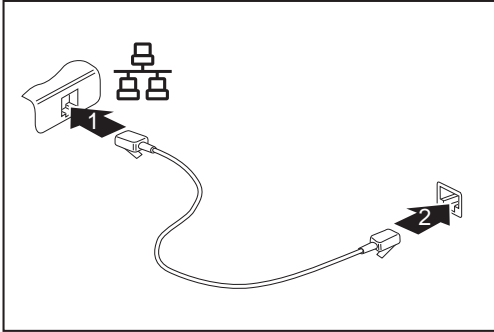
Please contact your cellular radio network provider about network coverage and availability. Connection speeds vary according to location, surroundings, network connections and other factors.

You can find information on setting up an Internet connection with the 4G network in the hardware documentation (the Quick Start Guide).

The device has a 4G Sierra Wireless Air Prime EM7455B wireless WAN module.

## Ethernet and LAN (optional, only with cradle, keyboard cover or adapter cable)

You can use the optionally available accessories to establish a connection to a local network (LAN = Local Area Network).



- ▶ Connect the network cable to the LAN port of the accessory (1).
- ▶ Connect the network cable to your network connection (2).



Your network administrator can help you to configure and use the LAN connections.

The network cable is not included in the delivery scope. This type of cable can be obtained from a specialist dealer.

Use a shielded network cable (CAT 5e).

# Accessories for your Tablet PC (optional)

The following accessories are available for your Tablet PC:

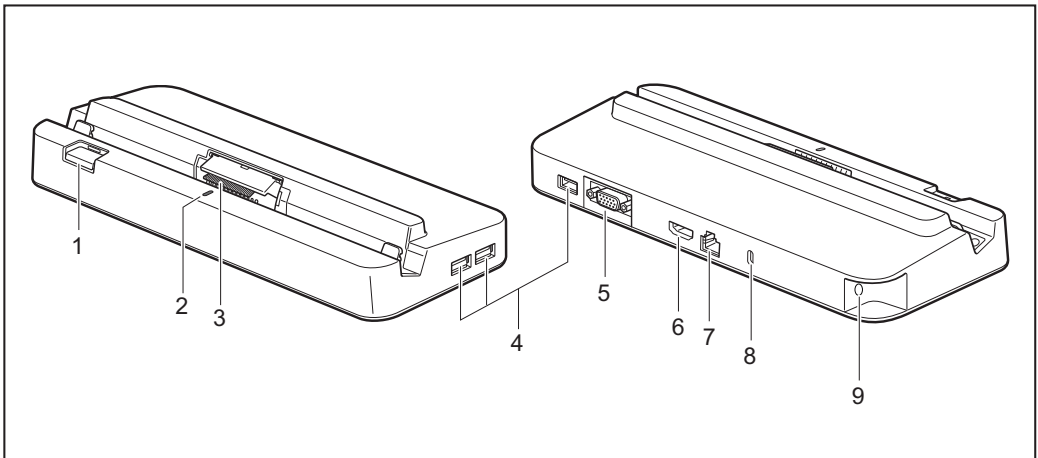
- Docking cradle for charging the Tablet PC with additional ports
- Keyboard cover with LAN port
- Protective TPU cover with shoulder strap
- Folio cover
- Adapter cable (USB Type-C to HDMI, USB Type-C to microHDMI, Full USB to LAN)

The following sections provide more information on handling the accessories.

## Your docking cradle (optional)

As well as fast charging, your docking cradle is a device that also allows you to quickly connect your Tablet PC to your peripherals such as a monitor, keyboard, mouse, etc. You only need to dock the Tablet PC to be able to work with your peripheral devices.

### Cradle components



- |   |                            |
|---|----------------------------|
| 1 = Dock release button   | 6 = HDMI port              |
| 2 = Status LED  | 7 = LAN port               |
| 3 = Connector on the cradle for the docking port of the Tablet PC | 8 = Security Lock device   |
| 4 = USB 3.0 port  | 9 = DC jack socket (DC IN) |
| 5 = VGA monitor port  |                            |



The status LED (2) of the cradle lights up as soon as it is connected to the power supply and the Tablet PC is connected to the powered cradle, even if the Tablet PC is switched off.

The LAN port on the cradle supports Wake-On-LAN for the STYLISTIC Q509 (G3 only).

Two additional external monitors can be operated with the STYLISTIC Q509 either on the external monitor port (VGA) or on the HDMI port of the cradle. Simultaneous operation of two external monitors is supported (see "[Screen resolutions for integrated screen and external screens](#)", Page 83).



## Setting up the cradle



Select a suitable location for the cradle before setting it up. In doing so, please follow these instructions:

- Place the cradle on a flat, stable, non-slippery surface.
- Never place the cradle or the AC adapter on a heat-sensitive surface.
- Do not expose the cradle to extreme environmental conditions.
- Protect the cradle from dust, moisture and heat.

## Connecting the Tablet PC to the cradle



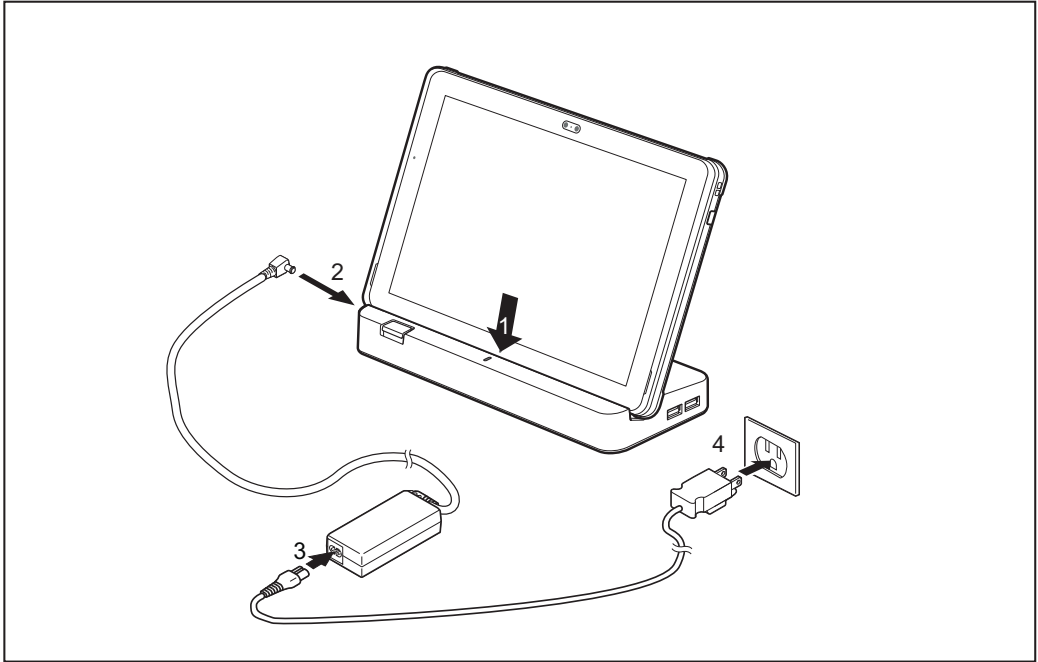
It is possible to connect the Tablet PC to the cradle while it is running.

Disconnect the AC adapter from the Tablet PC before connecting the Tablet PC to the cradle.



When the Tablet PC is connected to the cradle, you must connect the AC adapter to the cradle, to be able to use all the cradle's functions.

- ▶ Remove the AC plug of the AC adapter from the power outlet.
- ▶ Remove the AC adapter cable from the DC jack (DC IN) of the Tablet PC.



- ▶ Position the Tablet PC so that it lies against the storage surface of the cradle.
- ▶ Push the Tablet PC onto the cradle in the direction of the arrow (1) until you feel it engage on the connector and until the slide-out position returns to its original position.



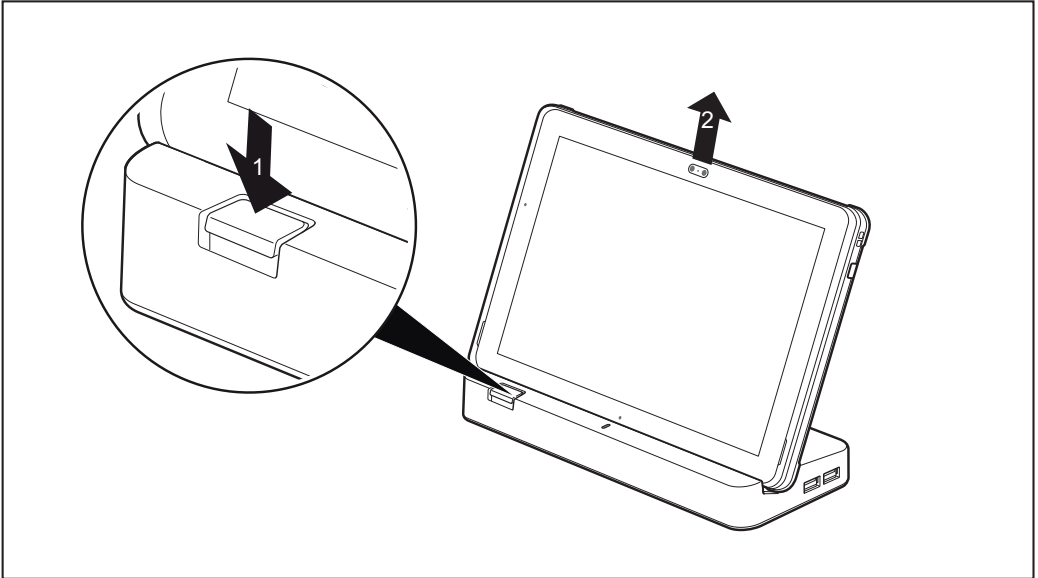
Your cradle is supplied with a separate AC adapter (19 V, 4.74 A). Make sure that you only use this AC adapter for the cradle.

- ▶ Plug the AC adapter cable into the DC jack (DC IN) on the cradle (2).
- ▶ Connect the AC cable to the AC adapter (3).
- ▶ Plug the AC cable into the power outlet (4).

## Disconnecting the Tablet PC from the cradle



It is possible to separate the Tablet PC from the cradle while it is running.

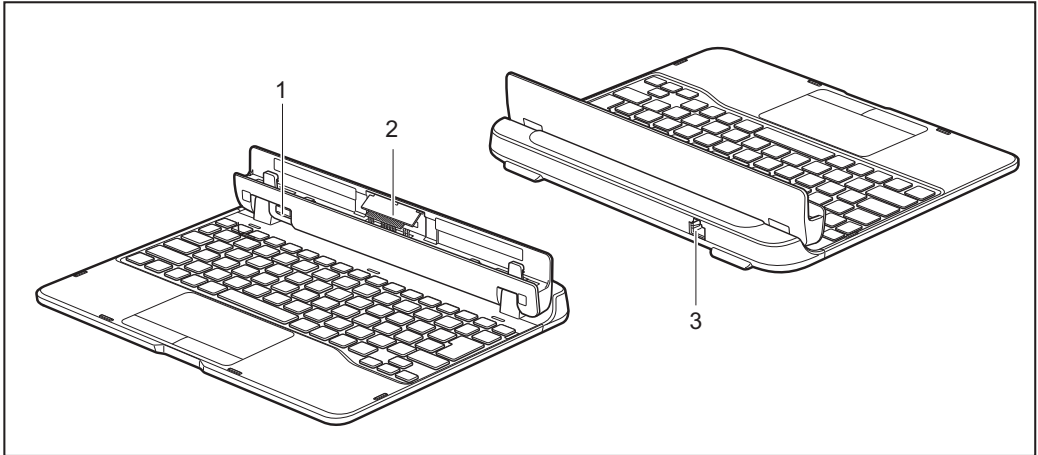


- ▶ Press the slide-out button in the direction of the arrow (1) until it firmly remains in pressed position (red marking visible).
- ▶ While holding down the lower part of the cradle, lift the tablet PC from the cradle in the direction of the arrow (2).

## Keyboard cover (optional)

The keyboard cover is an optimized device for the convenient input of text. It only needs to be docked with the Tablet PC.

### Components of the keyboard cover



1 = Release button

2 = Docking port for the Tablet PC

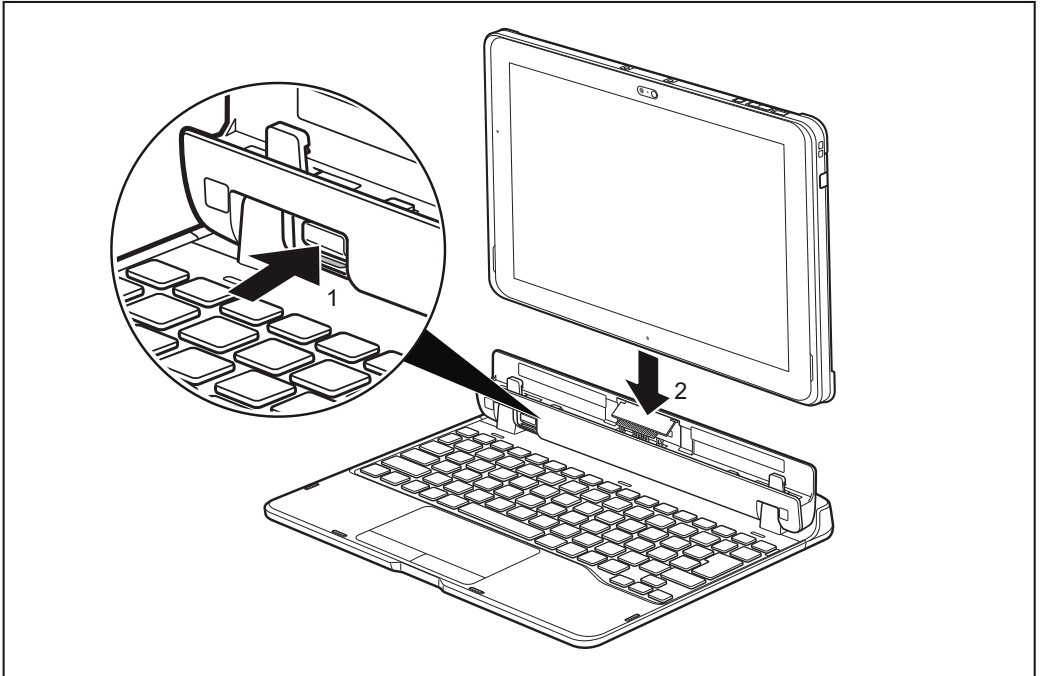
3 = LAN port

## Connecting the Tablet PC to the keyboard cover



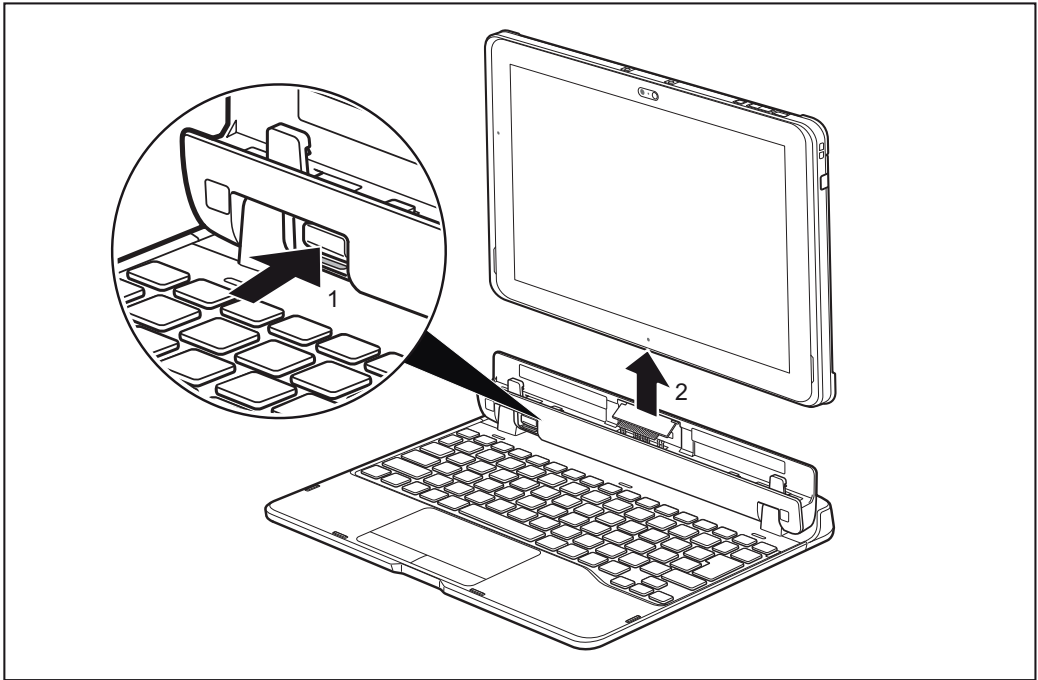
To prevent damage to the system, never fold the Tablet PC on the keyboard cover if the Tablet PC is in the protective TPU cover.

Do not attach the optional keyboard cover to the Tablet PC and do not join both components together on the protective TPU cover. The keyboard cover and/or the tablet PC could be damaged.



- ▶ Press the slide-out button (1) until it remains in the pressed position (red marking visible).
- ▶ Push the Tablet PC onto the keyboard cover in the direction of the arrow until you feel it engage on the connector (2) and until the slide-out button returns to its original position.

## Separating the Tablet PC from the keyboard cover



- ▶ Press the slide-out button (1) until it remains in the pressed position (red marking visible).
- ▶ Lift the Tablet PC away from the keyboard cover in the direction of the arrow (2).

**This page left intentionally blank**

## Protective TPU cover with shoulder strap (optional)

### Components of the protective TPU cover

The protective TPU Cover accessory options package with shoulder strap contains the following components:

1. Protective TPU cover
2. Shoulder strap
3. Fujitsu warranty document
4. Accessory operating instructions



The protective TPU cover with shoulder strap is not compatible with the keyboard cover and docking cradle accessory components.

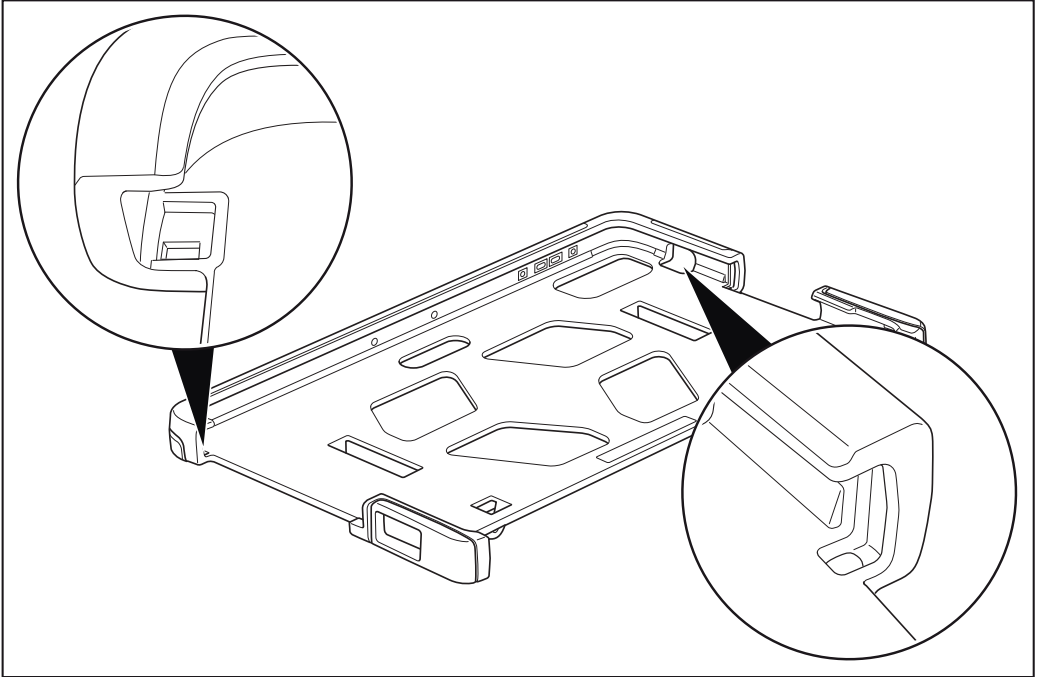
### Safety notes

- Make sure the device is fitted into the TPU cover properly in order to prevent it from falling out.
- Keep the protective TPU cover away from heaters and direct sunlight.
- Do not wash the protective TPU cover. If it gets dirty, remove the protective TPU cover from the Tablet PC, dampen a cloth with water, squeeze it well, wipe off the dirt using the cloth and then wipe with a dry cloth.
- Do not use solvents such as benzine, thinner, alcohol, household detergents, or chemically treated cloths.
- If the protective TPU cover gets wet, wipe off the moisture with a dry cloth and keep it in a shaded area until completely dry.

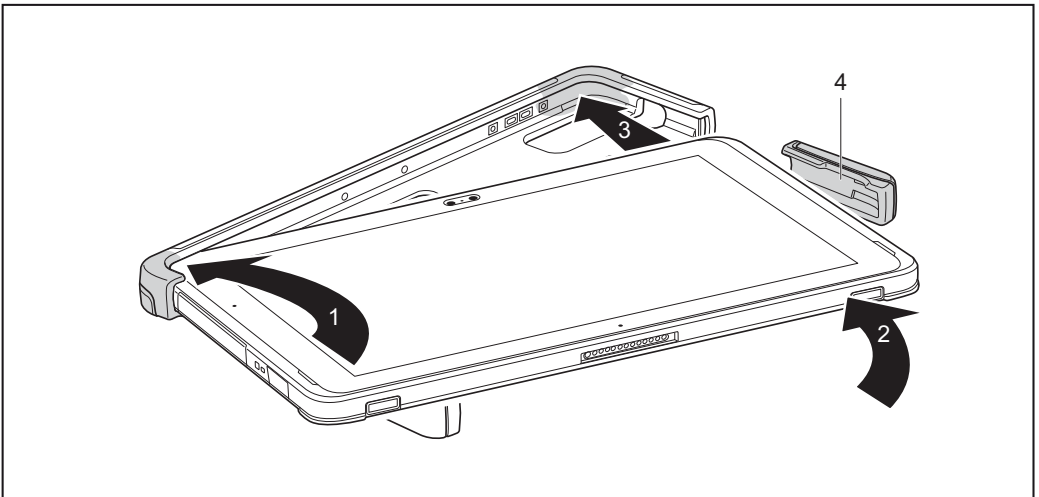
### Insert the Tablet PC into the protective TPU cover with shoulder strap

- ▶ If attached, remove the AC plug for the AC adapter from the power outlet and the tablet.
- ▶ Switch the Tablet PC off.
- ▶ Make sure that the terminal cover and the slot cover are tightly closed.
- ▶ If attached, remove the pen tether from the tablet

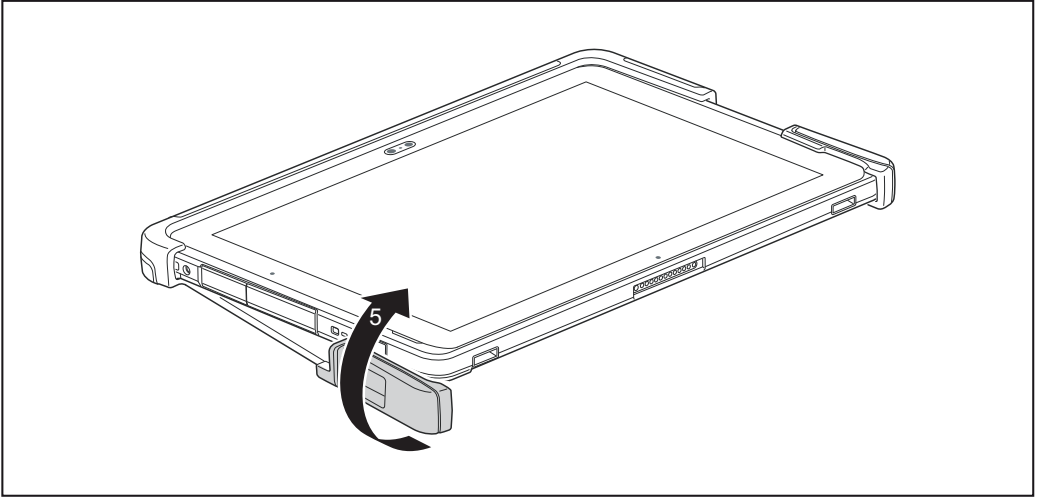




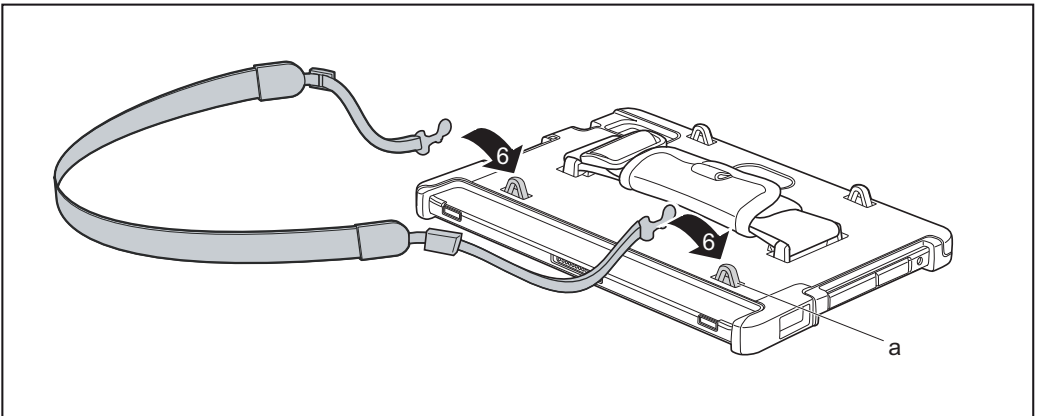
- ▶ Pass the tether through either hole of the TPU cover and re-attach it to the tablet.



- ▶ Insert the tablet upper left corner (1).
- ▶ Insert the tablet in the direction of the arrow (2) and snap it into the upper right corner (3) and the lower right side (4) of the TPU cover.



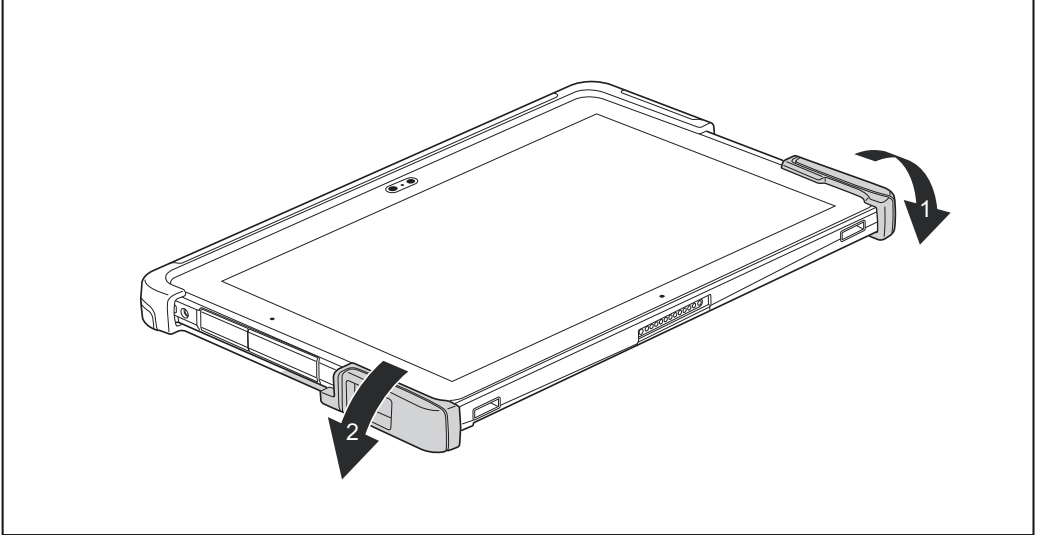
- ▶ Install the lower left side (5) of the TPU cover onto the tablet.



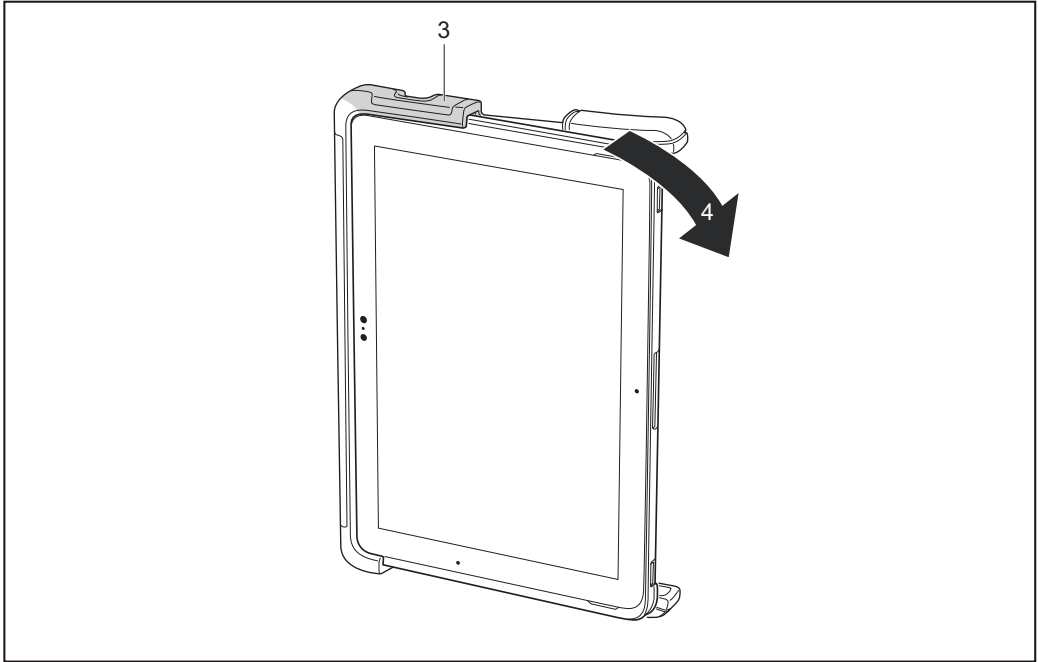
- ▶ If required, secure the shoulder strap (6) at two of the protective TPU cover's four holders (a).
- ▶ Adjust the length of the shoulder strap.

## Remove the Tablet PC from the protective TPU cover

- ▶ If attached, remove the AC plug for the AC adapter from the power outlet and the tablet.
- ▶ Switch the Tablet PC off.
- ▶ If attached, remove the shoulder strap.



- ▶ Remove the tablet from the underside of the TPU cover by removing the lower right side first (1) and then the lower left side (2).



- ▶ Hold the tablet and TPU cover vertically and press the upper left side of the TPU cover (3) and move the upper right side of the tablet (4) in the direction of the arrow.
- ▶ Once the TPU cover is removed, the tether can be un-attached from the tablet. Slide the tether out of the TPU cover hole and re-attach it to the tablet.

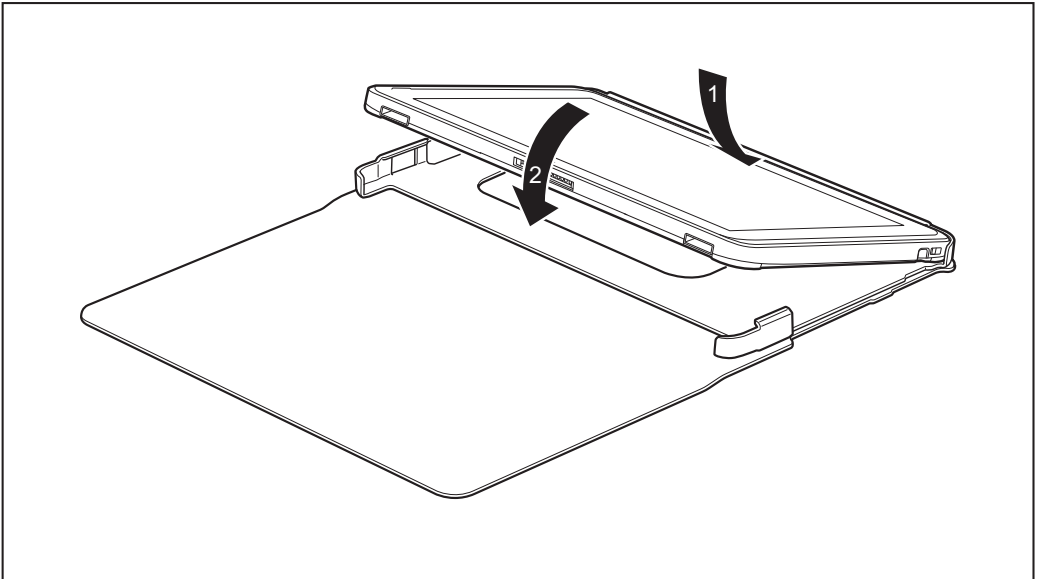
## Folio cover (optional)



The folio cover is not compatible with the keyboard cover and docking cradle accessory components. To prevent damage, do not connect the Tablet PC to these accessories.

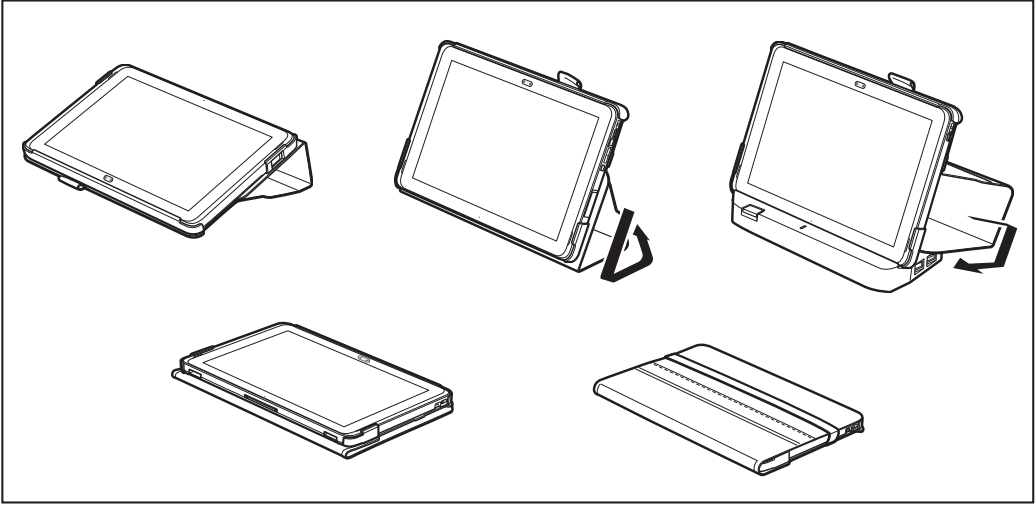


- This folio cover contains magnets. Keep it away from objects that may be affected by the influence of magnetism, e.g. pacemakers and magnetic cards.
- Please note that the LCD screen may be accidentally turned on when touched if the device is in its folio cover.
- Make sure the unit is firmly fitted into the folio cover fasteners so it will not fall out.
- This folio cover is only designed to safely store and carry this unit. Do not use the folio cover for any other purpose.
- Keep the folio cover away from fire or heaters.
- Do not place the folio cover in direct sunlight or expose it to high temperature or humidity.



- ▶ Position the Tablet PC with the touchscreen (1) facing upwards and with the docking-port side facing forwards in the corner of the folio cover.
- ▶ Allow the tablet PC to click into place in the folio cover (2).

The following illustration shows you the many ways in which the folio cover can be used:



## Adapter cable (optional)

3 adapter cables are available for your device:

- USB Type-C to HDMI
- USB Type-C to microHDMI
- Full-USB-to-LAN:

LAN Conversion Cable Kit: 1 x USB-to-LAN (GbE, limited performance)

For technical specifications, see chapter "[Adapter cables \(optional\)](#)", [Page 86](#).

# Security functions

Your Tablet PC has several security features that you can use to secure your system and your personal data from unauthorized access.

This chapter explains how to use these functions, and what the benefits are.



Please remember that in some cases, for example, forgetting your password, you may be locked out of the system and unable to access your data. Therefore, please note the following information:

- Back up your data on external data carriers at regular intervals.
- Some security functions need you to choose passwords. Make a note of the passwords and keep them in a safe place.

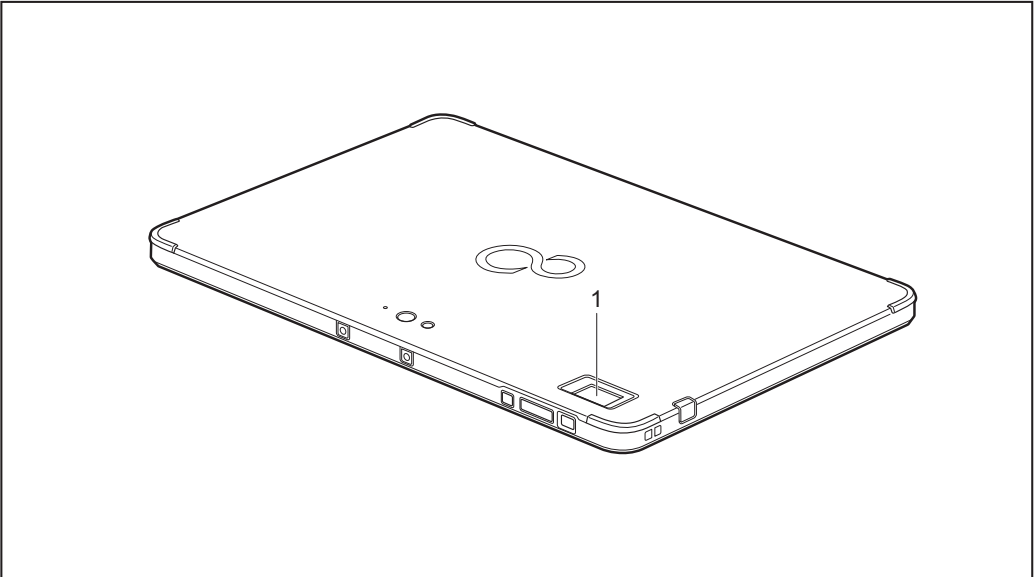
If you forget your passwords you will need to contact our Service Desk. Deletion or resetting of passwords are not covered by your warranty and a charge will be made for assistance.

## Configuring the fingerprint sensor (configuration dependent)



Whether your device has a fingerprint sensor or not depends on the device configuration which you ordered.

The fingerprint sensor can record the image of a fingerprint. With additional fingerprint software, this image can be processed and used instead of a password.

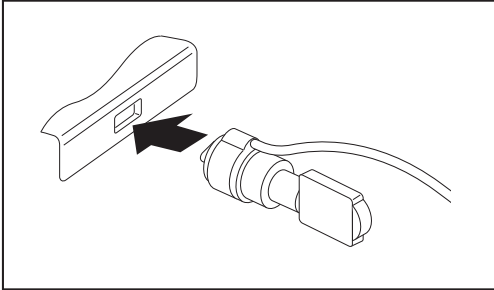


- ▶ Install the fingerprint software to be able to use the fingerprint sensor (1).



## Using the Security Lock (docking - cradle only)

Your docking cradle (optional) is equipped with a Security Lock device for a Kensington Lock Cable. You can use the Kensington Lock Cable, a sturdy steel cable, to protect your docking - cradle against theft. The Kensington Lock Cable is available as an accessory.



- ▶ Fit the Kensington Lock Cable to the attachment point on your - docking cradle.

## Configuring password protection in BIOS Setup Utility



Before using the various options for password protection in the *BIOS Setup Utility*, please proceed as follows to increase data security:

Make a note of the passwords and keep them in a safe place. If you forget your supervisor password you will not be able to access your Tablet PC. Passwords are not covered by your warranty and a charge will be made for assistance.



Your password can be up to 32 characters long and can contain letters, numbers and special characters. A distinction is made between upper and lower case.

## Protecting BIOS Setup Utility (supervisor password and user password)



If you have opened these operating instructions on the screen, we recommend that you print them out. You cannot call up the instructions on the screen while you are setting up the password.

The supervisor password and the user password both prevent unauthorized use of the *BIOS Setup Utility*. The supervisor password allows you to access all of the functions of the *BIOS Setup Utility*, while the user password will only give you access to some of the functions. You can only set up a user password if a supervisor password has already been assigned.



Calling and using the *BIOS Setup Utility* is described in the chapter "[Settings in BIOS Setup Utility](#)", [Page 72](#).

### Assigning the supervisor and user passwords

- ▶ Start the *BIOS Setup Utility* and go to the *Security* menu.
- ▶ Select the *Set Supervisor Password* field and press the Enter key.
- ↳ With *Enter new Password*: you are asked to enter a password.
- ▶ Enter the password and press the Enter key.
- ↳ *Confirm new Password* requires you to confirm the password.
- ▶ Enter the password again and press the Enter key.
- ↳ *Changes have been saved* is displayed as a confirmation that the new password has been saved.
- ▶ To set the user password, select *Set User Password* and proceed exactly as when configuring the supervisor password.
- ↳ If you do not want to change any other settings, you can exit *BIOS Setup Utility*.
- ▶ In the *Exit* menu, select the option *Save Changes & Exit*.
- ▶ Select *Yes* and press the Enter key.
- ↳ The Tablet PC is rebooted and the new password is effective. It will now be necessary to first enter your supervisor or user password in order to open the *BIOS Setup Utility*. Please note that the user password only provides access to a few of the BIOS settings.

### Changing the supervisor password or user password

You can only change the supervisor password when you have logged into the *BIOS Setup Utility* with the supervisor password.

- ▶ Start the *BIOS Setup Utility* and go to the *Security* menu.
- ▶ When changing the password, proceed exactly as when assigning a password.

### Removing passwords

To remove a password (without setting a new password) perform the following steps:

- ▶ Start the *BIOS Setup Utility* and go to the *Security* menu.
- ▶ Highlight the *Set Supervisor Password* or *Set User Password* field and press the Enter key.
- ↳ You will be requested to enter the current password by the *Enter Current Password* prompt. *Enter New Password* will appear and you will be requested to enter a new password.
- ▶ Press the Enter key twice at this request.
- ▶ In the *Exit* menu, select the option *Save Changes & Exit*.
- ▶ Select *Yes* and press the Enter key.
- ↳ The Tablet PC is rebooted and the password is removed.  
Removing the supervisor password simultaneously deactivates the user password.

## Password protection for booting the operating system



With the supervisor password you have set in the *BIOS Setup Utility* (see section "[Assigning the supervisor and user passwords](#)", Page 64), you can also prevent booting of the operating system.

### Activating system protection

- ▶ Start the *BIOS Setup Utility* and go to the *Security* menu.
- ▶ Select the *Password on Boot* option and press the Enter key.
- ▶ Select the option you require (*Disabled*, *First Boot* or *Every Boot*) and press the enter key
- ▶ Select the *Save Changes & Exit* option under *Exit*.
- ↳ The Tablet PC reboots. You will be prompted to enter your password (the supervisor password).

### Deactivating system protection

- ▶ Start the *BIOS Setup Utility* and go to the *Security* menu.
- ▶ Select the *Password on Boot* option and press the Enter key.
- ▶ Select the *Disabled* option and press the Enter key.
- ↳ If you do not want to change any other settings, you can exit *BIOS Setup Utility*.
- ▶ Select the *Save Changes & Exit* option under *Exit*.
- ↳ The Tablet PC reboots. The system is no longer password-protected.

## Password protection for the hard disk



The hard-disk password prevents unauthorized access to the hard disk drives and is checked internally each time the system is booted. The prerequisite condition for this is that you have, as a minimum, assigned the supervisor password.

### Activating hard disk protection

- ▶ Call up the *BIOS Setup* and select the *Security* menu.
- ↳ If you have not assigned BIOS passwords yet, define the supervisor and the user password now, if desired (see "[Security functions](#)", [Page 61](#)).
- ▶ Mark the *Hard Disk Security* field and press the Enter key.
- ▶ In the area *Drive0*, mark the field *Set Master Password* and press the Enter key.
- ↳ *Enter new Password* then appears and you are asked to enter a password.
- ▶ Enter the password and press the Enter key.
- ↳ *Confirm new Password* requires you to confirm the password.
- ▶ Enter the password again and press the Enter key.
- ↳ With *Setup Notice: Changes have been saved* you receive confirmation that the new password has been saved.
- ▶ If you wish to enter a password for a second hard disk (*Drive1*), in the area *Drive1* mark the field *Set Master Password* and proceed in exactly the same way as for the set up of the first hard disk (*Drive0*).
- ↳ The field *Password Entry on Boot* is set to *Enabled* by default. You can exit the *BIOS Setup* once you have finished changing the settings.
- ▶ From the *Exit* menu, choose the option *Exit Saving Changes*.
- ▶ Press the Enter key and select *Yes*.
- ↳ The Tablet PC reboots and your hard disk is now protected with a password. The password prompt is enabled as soon as the Tablet PC has rebooted.

### Deactivating hard disk protection

To cancel a password (without setting a new password) proceed as follows:

- ▶ Call up the *BIOS Setup* and select the *Security* menu.
- ▶ Mark the *Hard Disk Security* field and press the Enter key.
- ▶ In the area *Drive0*, mark the field *Set Master Password* and press the Enter key.
- ↳ With the prompt *Enter current Password* you are first asked to enter the old password again. With *Enter new Password* you are then prompted to enter a new password.
- ▶ After the request, press the Enter key three times.
- ▶ From the *Exit* menu, choose the option *Exit Saving Changes*.
- ▶ Press the Enter key and select *Yes*.
- ↳ The Tablet PC reboots and there is no longer any password protection for this hard disk.
- ▶ If you wish to remove a password for a second hard disk (*Drive1*), in the area *Drive1* mark the field *Set Master Password* and proceed in exactly the same way as for the removal of the first hard disk (*Drive0*).

# Connecting external devices



Under all circumstances, please observe the safety notes provided in the "Important notes", [Page 13](#) chapter before connecting or disconnecting any devices to or from your Tablet PC.

Always read the documentation supplied with the device you wish to connect.

Never connect or disconnect cables during a thunderstorm.

Never pull at a cable when disconnecting it. Always grasp the plug.



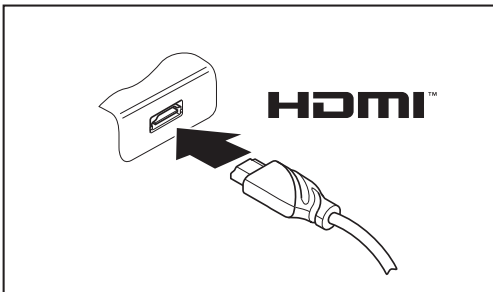
With some devices, such as USB devices, it is not necessary to switch off the Tablet PC and the device before connecting/disconnecting. For more information about whether or not devices need to be switched off, please refer to the documentation supplied with your external device.

Some of the external devices require special drivers (see the operating system and external device documentation).

## Connecting an external monitor

### HDMI port (docking cradle only)

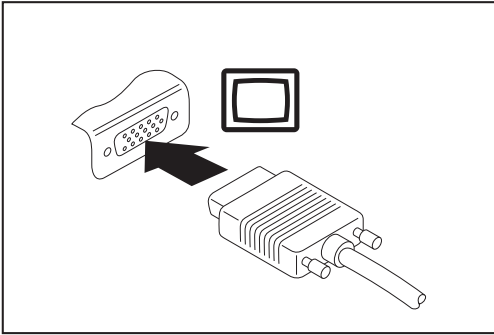
The HDMI port of the docking cradle can be used to connect an external amplifier, LCD TV or a plasma TV with an HDMI connection.



- ▶ Connect the data cable to the external device.
- ▶ Connect the data cable to the HDMI port.

## VGA monitor port (docking cradle only)

An analog monitor is connected to the analog VGA monitor port. Screen output is limited to a maximum of two screens at the same time.



- ▶ Switch off the Tablet PC and the external monitor.
- ▶ Plug the data cable of the external monitor into the monitor port.
- ▶ First switch on the external monitor and then switch on the Tablet PC.



You can also switch back and forth between the external monitor and the LCD screen of the Tablet PC, see ["Touchscreen", Page 26](#).

You can display the same image on the external monitor and on the LCD screen of the Tablet PC at the same time.

## Connecting USB devices

On the USB ports you can connect external devices that also have a USB port (e.g. a DVD drive, a printer, a scanner or a modem).



USB devices are hot-pluggable. This means you can connect and disconnect the cables of USB devices while the operating system is running.

USB 1.x has a maximum data transfer rate of 12 Mbps.

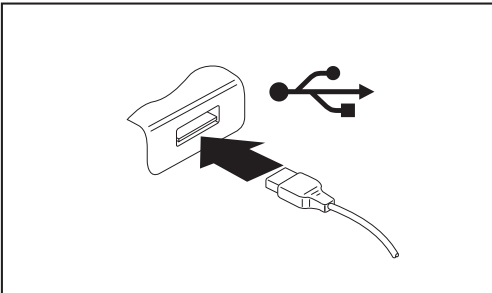
USB 2.0 has a data transfer rate of up to 480 Mbps.

USB 3.0 has a data transfer rate of up to 5 Gbps.

USB 3.1 generation 1 has a data transfer rate of up to 5 Gbit/s.

USB 3.1 generation 2 has a data transfer rate of up to 10 Gbit/s.

Additional information can be found in the documentation for the USB devices.



- ▶ Connect the data cable to the external device.
- ▶ Connect the data cable to a USB port on the Tablet PC or cradle.



### Device drivers

USB devices will be automatically recognized and installed by your operating system.

## USB port with charging function (USB Type-C)

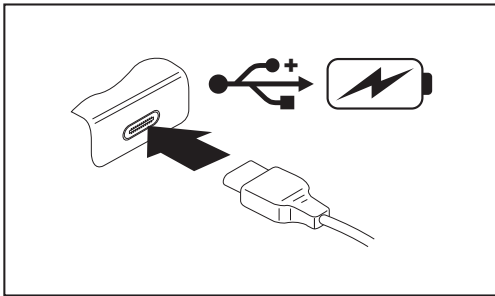
You can also charge a connected USB device or operate devices without an additional power supply at this USB port.

This is also possible with the Tablet PC switched off, if the *USB Type-C Power Delivery on System Off* function is activated in the *Advanced - Miscellaneous Configurations* menu of the *BIOS Setup Utility*. For how to call up and use the *BIOS Setup Utility*, see Section "[Settings in BIOS Setup Utility](#)", Page 72.



USB devices are hot-pluggable. This means you can connect and disconnect the cables of USB devices while the operating system is running.

Additional information can be found in the documentation for the USB devices.



- ▶ Connect the data cable to the external device.
- ▶ Connect the data cable to a USB port (USB Type-C) on the Tablet PC.

## How to remove USB devices correctly



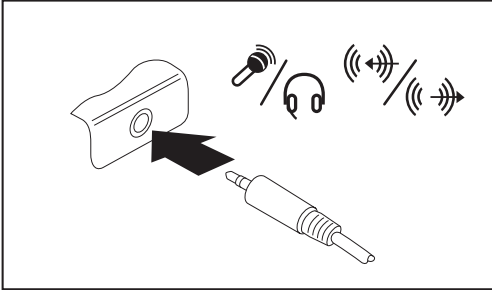
Always correctly remove the device according to the rules described below, to ensure that none of your data is lost.

- ▶ Tap the symbol for safe removal of the hardware.
- ▶ Select the device you wish to shut down and remove.
- ▶ Tap *OK*.
- ↳ Wait for the dialog box which tells you that it is now safe to remove the device.



## Headphones/microphone/Line-In/Line-Out/headset-combi port

Using the headphone/microphone/Line-In/Line-Out/headset-combi port, you can connect a headset, headphones, a microphone or external loudspeakers to your Tablet PC.



- ▶ Connect the audio cable to the external device.
- ▶ Connect the audio cable to the headphone port of the Tablet PC.
- ↳ The internal speakers are disabled.



If you purchase a cable from a retailer, please note the following information:

The headphone/microphone/Line-In/Line-Out/headset-combi port on your Tablet PC is a "3.5 mm jack socket".

If you want to connect headphones or speakers you will need a "3.5 mm jack plug".

# Settings in BIOS Setup Utility



To navigate more easily in the *BIOS Setup Utility*, you can use an external USB keyboard.

The *BIOS Setup Utility* allows you to set the system functions and the hardware configuration for the Tablet PC.

When the Tablet PC is delivered, the default settings are effective. You can change these settings in the menus of the *BIOS Setup Utility*. Any changes you make take effect as soon as you save and exit the *BIOS Setup Utility*.

The *BIOS Setup Utility* program contains the following menus:

<i>Info</i>	Displays information relating to the BIOS, processor and Tablet PC
<i>System</i>	Advanced system settings
<i>Advanced</i>	Configuration of various hardware components, such as mouse, keyboard, processor
<i>Security</i>	Password settings and security functions
<i>Boot</i>	Configuration of the start-up sequence
<i>Exit</i>	Exits the <i>BIOS Setup Utility</i>

## Starting the BIOS Setup Utility

- ▶ Keep the Volume Down button pressed and switch on the Tablet PC.
- ▶ If a password has been assigned, enter the password and press the Enter key.



If you have forgotten the password, contact your system administrator or contact our customer service center.

The *BIOS Setup Utility* starts.

## BIOS Setup Utility operation



Press the **F1** key to display help about operation of the *BIOS Setup Utility*. The description of the individual settings is shown in the right-hand window of the *BIOS Setup Utility*.

With the **F9** key you can load the default settings of the *BIOS Setup Utility*.

- ▶ Use the cursor keys **←** or **→** to select the menu you wish to access to make changes.
- ↳ The menu is displayed on the screen.
- ▶ Select the option you want to change with the cursor keys **↑** or **↓**.
- ▶ Press the "Enter" key.
- ▶ Press the **ESC** key to exit the selected menu.
- ▶ For future reference, make a note of the changes you have made (for example, in this manual).

## Exiting BIOS Setup Utility

You need to select the desired option in the *Exit* menu and activate it by pressing the Enter key:

### Exit Saving Changes - save changes and exit BIOS Setup Utility

- ▶ To save the current menu settings and exit the *BIOS Setup Utility*, select *Exit Saving Changes* and *Yes*.
- ↳ The Tablet PC is rebooted and the new settings come into effect.

### Exit Discarding Changes - Reject changes and exit BIOS Setup Utility

- ▶ To discard the changes, select *Exit Discarding Changes* and *Yes*.
- ↳ The settings which were valid when *BIOS Setup Utility* was called remain effective. The *BIOS Setup Utility* ends and the Tablet PC is rebooted.

### Load Setup Defaults – load default values

- ▶ To copy the standard entries for all menus of the *BIOS Setup Utility*, choose *Load Setup Defaults* and *Yes*.

### Discard Changes - Discard Changes without exiting BIOS Setup Utility

- ▶ To discard the changes you have made, select *Discard Changes* and *Yes*.
- ↳ The settings in place when *BIOS Setup Utility* was called remain effective. You can now make additional settings in the *BIOS Setup Utility*.
- ▶ If you want to exit the *BIOS Setup Utility* with these settings, select *Exit Saving Changes* and *Yes*.

### Save Changes - save changes without exiting the BIOS Setup Utility

- ▶ To save the changes, select *Save Changes* and *Yes*.
- ↳ The changes are saved. You can now make additional settings in the BIOS Setup Utility.
- ▶ If you want to exit BIOS Setup Utility with these settings, choose *Exit Saving Changes* and *Yes*.

### Save changes and power off

- ▶ To save the changes and switch off your device, select *Save Changes and Power Off* and *Yes*.
- ↳ The changes are saved. Your device is shut down.

# Troubleshooting and tips

If a fault occurs, try to correct it as described. If you fail to correct the problem, proceed as follows:

- ▶ Make a note of the steps and the circumstances that led to the fault. Also make a note of any error messages displayed.
- ▶ Switch the Tablet PC off.
- ▶ Please contact the Hotline/Service Desk.



You can contact Fujitsu Service and Support in the following ways:

- Toll free phone: 1-800-8Fujitsu (1-800-838-5487)
- Website: ["http://solutions.us.fujitsu.com/www/content/support/contact/index.php"](http://solutions.us.fujitsu.com/www/content/support/contact/index.php)

Before you place the call, have the following information ready so that the customer support representative can provide you with the fastest possible solution:

- The model name and serial number of the Tablet PC. The serial number is located on a sticker on the underside of the Tablet PC.
- Notes with the messages that appeared on the screen and information on acoustic signals.
- All changes you have made to the hardware or software after receiving the Tablet PC.
- All changes you have made to the *BIOS Setup* settings after receiving the Tablet PC.
- Your system configuration and all peripheral devices connected to your system.
- Your sales contract.



Our Tablet PCs have been designed primarily with mobile applications in mind. This means that considerable effort has been made to optimize components and equipment in terms of weight, space and energy requirements. Depending on the particular configuration you have purchased, it is possible that functionality may be slightly reduced compared to a desktop PC if you are running processor-intensive gaming software, e.g. games with intensive 3D graphics. Updating your hardware with drivers which have not been approved by Fujitsu may result in performance losses, data losses or malfunction of the equipment. A list of approved drivers and current BIOS versions can be downloaded from: ["http://solutions.us.fujitsu.com"](http://solutions.us.fujitsu.com)

## Executing a reset

If the device no longer responds to your inputs, choose one of the following options:

### Forced shutdown

- ▶ Press and hold the ON/OFF button for at least 10 seconds.
- ↳ The device will be shut down. You can then restart it.

### Execute a complete reset: Reset BIOS Setup to the standard values

- ▶ Shut down the device.
- ▶ If the device does not respond, you may have to force the shutdown, as described above.
- ▶ Press on the forced shutdown button until the operating system restarts.
- ↳ The device will restart when you release the button.

## Help if problems occur

Should you encounter a problem with your computer that you cannot resolve yourself:

- ▶ Note the ID number of your device. The ID number is found on the type rating plate on the back or underside of the casing.
- ▶ For further clarification of the problem, contact the Fujitsu Service Desk. When you do this, please have ready the ID number and serial number of your system.

## If you need to restore your system

In the event you need to restore your system, please refer to the appendix of this Operating Manual.

## The Tablet PC's date or time is incorrect

Cause	Troubleshooting
Time and date are incorrect.	▶ With the <i>BIOS-Setup-Utility</i> , you can set the date and time in the <i>System</i> menu.
Date and time are still set incorrectly after switching on the Tablet PC.	▶ Please contact your sales outlet or our hotline/service desk.

## Battery charging indicator not lit

Cause	Troubleshooting
The battery is not being charged.	<ul style="list-style-type: none"> <li>▶ Connect the Tablet PC to a power outlet using the AC adapter.</li> </ul> <p><b>Note:</b> The battery will only be charged again when the battery capacity is less than 90%.</p>

## The Tablet PC's touchscreen remains dark

Cause	Troubleshooting
Touchscreen is switched off.	<ul style="list-style-type: none"> <li>▶ Press a key (external keyboard) or tap on the touchscreen.</li> </ul>
External monitor or television set connected.	<ul style="list-style-type: none"> <li>▶ Check whether the graphics driver settings are correct or whether an external monitor has been detected in "Intel Graphics Media Accelerator Driver for mobile".</li> </ul>

## The display on the Tablet PC's touchscreen is difficult to read.

Cause	Troubleshooting
Reflected glare	<ul style="list-style-type: none"> <li>▶ Move the Tablet PC into a different position.</li> <li>▶ Increase the brightness of the screen.</li> </ul>

## The external monitor remains blank

Cause	Troubleshooting
Monitor is switched off.	▶ Switch the external monitor on.
Power saving has been activated (monitor is blank).	▶ Press a key (external keyboard) or tap on the touchscreen.
Brightness is set to dark.	▶ Adjust the brightness of the monitor.
Screen output is set to the Tablet PC touchscreen.	▶ Check whether the graphics driver settings are correct or whether an external monitor has been detected in "Intel Graphics Media Accelerator Driver for mobile".
The external monitor's AC cable or data cable is not connected properly.	<ul style="list-style-type: none"> <li>▶ Switch off the Tablet PC and the external monitor.</li> <li>▶ Check whether the AC cable is plugged properly into the external monitor and into the power outlet.</li> <li>▶ Check that the data cable is properly connected to the Tablet PC and the external monitor (if it is plugged in with a connector).</li> <li>▶ Switch on the external monitor and the Tablet PC.</li> </ul>

## The external monitor is blank or the image is unstable

Cause	Troubleshooting
The wrong external monitor has been selected or the wrong screen resolution has been set for the application program.	<ul style="list-style-type: none"> <li>▶ Shut down the application program in Windows. If the error persists after shutting down the program, use the key combination for switching the screen output in order to switch to the touchscreen of the Tablet PC. Change the following setting:</li> <li>▶ Set the screen resolution: Set the screen resolution as described in the documentation for your operating system.</li> <li>▶ Select monitor: Select monitor 1 or 2 as described in the documentation for your operating system.</li> </ul>

## The cursor does not correctly follow the stylus movements

Cause	Troubleshooting
Stylus incorrectly calibrated.	▶ Calibrate the stylus as described in chapters <a href="#">"Adjusting the stylus", Page 29</a> and <a href="#">"Calibrating the stylus", Page 30</a> .



## Stylus input not working

Cause	Troubleshooting
Incorrect driver installed.	▶ Reinstall the driver for the "dual digitizer".

## The Tablet PC does not start after switch on

Cause	Troubleshooting
The battery is dead.	▶ Charge the battery.  or ▶ Connect the AC adapter to the Tablet PC.
The AC adapter is not connected properly.	▶ Check whether the AC adapter is properly connected to the Tablet PC. ▶ Switch the Tablet PC on.

## The Tablet PC stops working

Cause	Troubleshooting
The Tablet PC is in energy saving mode.	▶ End energy saving mode.
An application program has caused the malfunction.	▶ Close the application program or restart the Tablet PC (by restarting the operating system or switching the device off and back on again).
The battery is dead.	▶ Charge the battery.  or ▶ Connect the AC adapter to the Tablet PC.

## The printer does not print

Cause	Troubleshooting
The printer is not switched on.	▶ Make sure that the printer is switched on and ready for operation (refer to the documentation supplied with the printer).
The printer is not connected correctly.	▶ Check that the data cable between the Tablet PC and the printer is properly connected.
The printer driver is faulty or not correctly installed, or it is the wrong printer driver.	▶ Check that the data cable between the Tablet PC and the printer is properly connected. ▶ Check whether the correct printer driver is loaded (refer to the printer documentation).

## The wireless connection to a network does not work

Cause	Troubleshooting
The wireless component is switched off.	<ul style="list-style-type: none"> <li>▶ Switch the wireless component on (see <a href="#">"Switching the wireless components on and off", Page 43</a>).</li> </ul>
The wireless component is switched on. Despite this, the wireless connection to a network does not work.	<ul style="list-style-type: none"> <li>▶ Check whether the wireless connection is enabled by the software.</li> <li>▶ Further information on using the wireless component can be found in the help files.</li> </ul>

## The battery discharges too quickly

Cause	Troubleshooting
The battery is either too hot or too cold. In this case the battery indicator flashes.	<ul style="list-style-type: none"> <li>▶ Bring the Tablet PC up/down to a normal operating temperature again.</li> <li>▶ If the operating time of the battery life is extremely short, the battery is probably too old. Replace the battery if necessary.</li> </ul>
You may have an application running that consumes a great deal of power due to frequent accessing of the hard disk or optical drive.	<ul style="list-style-type: none"> <li>▶ Use the AC adapter whenever possible.</li> </ul>
The maximum brightness may have been set for the screen.	<ul style="list-style-type: none"> <li>▶ Reduce the brightness of the screen to lower energy consumption: You will find the setting under <i>Control Panel – Hardware and Sounds – Windows Mobility Center</i>.</li> </ul>

## Error messages on the screen

This section describes the error messages generated by the BIOS Setup. Error messages displayed by the operating system or programs are described in the documentation for these programs.



If the error message appears repeatedly despite troubleshooting measures, contact the place of purchase or our customer service center.

Error message/cause	Troubleshooting
<i>Keyboard error</i>	If you use an external keyboard: <ul style="list-style-type: none"> <li>▶ Check the connection and reboot the Tablet PC.</li> </ul>
<i>Bootable device was not found</i>	<ul style="list-style-type: none"> <li>▶ Check in the <i>BIOS Setup</i> whether your hard disk has been set correctly.</li> <li>▶ Make sure that the operating system is installed on the corresponding drive.</li> </ul>
<p><i>Press &lt;F1&gt; to resume, &lt;F2&gt; to SETUP</i></p> <p>This error message appears if an error occurs during the self-test before starting the operating system.</p>	<ul style="list-style-type: none"> <li>▶ To continue, press the <span style="border: 1px solid black; padding: 0 2px;">F1</span> / Windows key.</li> </ul> <p>or</p> <ul style="list-style-type: none"> <li>▶ To start the <i>BIOS Setup Utility</i>, press the <span style="border: 1px solid black; padding: 0 2px;">F2</span> / decrease volume key.</li> </ul>
<i>Real time clock error</i>	<ul style="list-style-type: none"> <li>▶ Check the date and time settings.</li> </ul>

# Technical data

## Tablet PC

<b>General</b>	
Processor	Intel® Celeron® N4100 Processor (4MB Cache / up to 2.4 GHz) Intel® Celeron® N4000 Processor (4MB Cache / up to 2.6 GHz)
Main memory (on board)	- 4 GB LPDDR4 2400 MHz (with Intel® Celeron® N4000) - 8 GB LPDDR4 2400 MHz (with Intel® Celeron® N4100)
<b>Electrical data</b>	
Safety regulations complied with	IEC60950-1
Protection class	III
Maximum power consumption (when the Tablet PC is switched on, connected to the keyboard cover and the battery is charged):	36 W
<b>Touchscreen</b>	
Size	10.1" WUXGA Wide View TFT, Anti-Glare-Display with LED backlight (1920 x 1200 / 16:10), with 160° vertical and horizontal viewing angle
Screen resolution	<ul style="list-style-type: none"> <li>• Internal: 1920 x 1200 pixels/16 million colors</li> <li>• Simultaneous: 1920 x 1080 pixels/16 million colors</li> </ul>
Brightness control	Software controlled, 101 levels
Technology	Wide-View High-Bright Display with LED background lighting
Digitizer and glass panel	Dual Digitizer (stylus and touch)
Cameras	<ul style="list-style-type: none"> <li>• Front: 2 MP resolution with LED status display</li> <li>• Rear: 8 MP resolution with autofocus and LED status display</li> </ul>
<b>Graphics card</b>	
Chip	Intel® HD graphics
Maximum resolution of external display:	1920 x 1080 (1080p)
<b>Dimensions</b>	
Width x Depth x Height	10.4" (W) x 6.7" (D) x 0.49" (H) 263.0 mm (W) x 168.9 mm (D) x 12.4 mm (H)
Weight depending on configuration	Tablet weight: approx. 1.4 lbs. LTE model weight: approx 1.4 lbs Keyboard cover weight: approx. 0.86 lbs.
<b>Input devices</b>	

Tablet buttons	3 keys
Stylus	EMR pen with 4096 pressure levels
<b>Slots</b>	
Memory card slot	1 x Micro SD 3.0 card (SD/SDHC/SDXC)
<b>Ports</b>	
Combined headphones and microphone port	3.5 mm stereo mini jack
Docking port	1 x
USB (Universal Serial Bus)	1 x USB 3.0 (Type A), 1 x USB 3.1 (Gen 1) with charging function (USB Type C)
<b>Ambient conditions</b>	
Environment class DIN IEC 721	7K1
Mechanism class DIN IEC 721	7M2
Operating temperature	5 °C .... 35 °C / 41 °F .... 95 °F
Transport temperature (2K2)	-15 °C .... 60 °C / 5 °F .... 140 °F

## Screen resolutions for integrated screen and external screens

	Max no. of monitors	Number of external screens	Integrated display screen	Port on the Tablet PC	Ports on the docking cradle	
				USB Type-C	HDMI	VGA
<b>Only Tablet PC</b>	2	1	1920 x 1200	1920 x 1080p 60 Hz	-	-
<b>With docking cradle</b>	2	1		-	1920 x 1080p 60 Hz	-
	2	1		-	-	1920 x 1080p 60 Hz

## WLAN specifications

Type of network	Intel® Jefferson Peak AC-9560 2x2 ac/a/b/g/b/n with integrated Bluetooth v5.0, Wi-Fi based*  2.4 GHz min. 2412, max. 2472 5.8 GHz min. 5180, max. 5825
Transfer rate	(Automatic switching) IEEE802.11 a and g: 54 Mbps max. data rate; IEEE802.11n: 300 Mbps max. data rate, IEEE802.11ac: 867 Mbps max. data rate
Active frequency	<ul style="list-style-type: none"> <li>• 802.11n: 2.4 GHz / 5 GHz</li> <li>• 802.11b/g: 2400~2473 MHz</li> <li>• 802.11a: 4900~5850 MHz</li> </ul>
Number of channels	<ul style="list-style-type: none"> <li>• 802.11a: 8 independent channels</li> <li>• 802.11b/g: 11 channels, 3 non-overlapping channels</li> <li>• 802.11n: Channel bonding takes two of the non-overlapping 20 MHz channels and combines them into one 40 MHz channel. It is actually 12 non-overlapping channels with channel bonding and 24 without. Also it is 1 non-overlapping channel in 2.4GHz when channel bonding is used.</li> <li>• 802.11ac: 5 independent channels</li> </ul>
Security	Encryption types: compatible with WEP, TKIP, AES***, WPA 1.0 and WPA 2.0  Encryption key, lengths supported: 64 bits and 128 bits
Maximum recommended number of computers to be connected over wireless LAN (during ad hoc connection)	10 units or less ****
<p>* "Wi-Fi based" indicates that the interconnectivity test of the organization which guarantees the interconnectivity of wireless LANs (Wi-Fi Alliance) was passed.</p> <p>** The operating distances given above increase or decrease depending on factors such as the number of walls, reflecting material or interference by external RF sources.</p> <p>*** Network key encryption (WEP) occurs with the number of bits given above, after deduction of the fixed length of 24 bits the user may however also set 40 or 104 bits.</p> <p>**** Depending on the particular practical application, the number of computers which can be networked is reduced if necessary.</p>	

## Rechargeable battery



For information on the batteries used in your device, please see ["http://solutions.us.fujitsu.com/www/content/support/"](http://solutions.us.fujitsu.com/www/content/support/).

	2-cell lithium polymer battery 4250 mAh
Rated voltage	7.2 V
Rated capacity	31 Wh

## AC adapter (36 W) for the Tablet PC only (without cradle)

Rated voltage	12 V
Max. rated current	3 A

An additional AC adapter or AC cable can be ordered at any time.

## Docking cradle (optional)

<b>Electrical data</b>	
Safety regulations complied with	CE
Protection class	III
<b>Ports</b>	
Docking port	11-pin
HDMI port	1 x
VGA monitor port	1 x
USB (Universal Serial Bus)	Type C USB3.1; Type A USB3.0
LAN port	1 x
Security Lock device	1 x
<b>Ambient conditions</b>	
Environment class DIN IEC 721	7K1
Mechanism class DIN IEC 721	7M2
Operating temperature	5 °C .... 35 °C / 41 °F .... 95 °F
Temperature in transit	

## AC adapter 90 W for the docking cradle (optional)

Rated voltage	19 V
Max. rated current	4.74 A

An additional AC adapter or power cable can be ordered at any time.

## Keyboard cover (optional)

Electrical data	
Safety regulations complied with	CE
Protection class	III
Ports	
Docking port	7-pin
LAN port	1 x
Touchpad	Yes
Ambient conditions	
Environment class DIN IEC 721	7K1
Mechanism class DIN IEC 721	7M2
Operating temperature	5 °C .... 35 °C / 41 °F .... 95 °F
Temperature in transit	

## Protective TPU cover with shoulder strap (optional)

Dimensions	
Width x Depth x Height	10.75 in. x 7.05 in. x 1.18 in. 273 mm x 179 mm x 30 mm

## Folio cover (optional)

Dimensions	
Width x Depth x Height	10.55 in x 7.28 in x 0.79 in 268mm x 185 mm x 20 mm

## Adapter cables (optional)

- USB Type-C to HDMI conversion adapter
- USB Type-C to microHDMI conversion adapter
- Full-USB-to-LAN conversion adapter



# Manufacturer's notes

## Disposal and recycling

You can find information on this subject on your Tablet PC or on our website ("[http://solutions.us.fujitsu.com/www/content/products/trade-in\\_program/](http://solutions.us.fujitsu.com/www/content/products/trade-in_program/)").

### Recycling your battery

Over time, the batteries that run your mobile computer will begin to hold a charge for a shorter amount of time; this is a natural occurrence for all batteries. When this occurs, you may want to replace the battery with a brand new one\*. If you replace it, it is important that you dispose of the old battery properly because batteries contain materials that could cause environmental damage if disposed of improperly.

Fujitsu is very concerned with environmental protection, and has enlisted the services of the Rechargeable Battery Recycling Corporation (RBRC)\*\*, a nonprofit public service organization dedicated to protecting our environment by recycling old batteries at no cost to you.

RBRC has drop-off points at many convenient locations throughout the United States and Canada. To find the location nearest you, go to "[www.RBRC.org](http://www.RBRC.org)" or call 1-800-822-8837.

If there are no convenient RBRC locations near you, you can also go to the EIA Consumer Education Initiative website "<http://EIAE.org/>" and search for a convenient disposal location.



Remember – protecting the environment is a cooperative effort, and you should make every effort to protect it for current and future generations.

\* To order a new battery for your Fujitsu mobile computer, go to the Fujitsu shopping site at "[www.shopfujitsu.com](http://www.shopfujitsu.com)" in the US or "[www.fujitsu.ca/products/notebooks](http://www.fujitsu.ca/products/notebooks)" in Canada.

\*\* RBRC is an independent third party to which Fujitsu provides funding for battery recycling; RBRC is in no way affiliated with Fujitsu.

## DOC (Industry CANADA) Notices

### Radios and Television

This Class B digital apparatus meets all requirements of Canadian Interference-Causing Equipment Regulations.

CET appareil numérique de la class B respecte toutes les exigence du Règlement sur le matériel brouilleur du Canada.

## UL Notice

### IMPORTANT SAFETY INSTRUCTIONS

This unit requires an AC adapter to operate. Only use UL Listed I.T.E. adapters with an output rating of 12 VDC, with a minimum current of 3.0A (32W). The correct output rating is indicated on the AC adapter label. Refer to the illustration below for the correct AC adapter output polarity:



When using your STYLISTIC tablet accessories, always follow the basic safety instructions, including the following items, to avoid the risk of fire, electric shock or injury to persons:

- Do not use this product near water for example, near a bathtub, washbowl, kitchen sink or laundry tub, in a wet basement or near a swimming pool.
- Use only the power cord and batteries indicated in this manual. Do not dispose of batteries in a fire. They may explode. Check with local codes for possible special disposal instructions.

### SAVE THESE INSTRUCTIONS

#### For Authorized Repair Technicians Only



#### CAUTION:

For continued protection against risk of fire, replace only with the same type and rating fuse.

## ENERGY STAR Compliance



Your Fujitsu system is an ENERGY STAR qualified mobile PC. By choosing a computer with the latest energy-saving technology, you're helping to preserve our environment for future generations. ENERGY STAR is a joint program of the U.S. Environmental Protection Agency, U.S. Department of Energy, Natural Resources Canada, and other governments around the world helping us save money while protecting the environment through energy efficient products and practices. With energy costs and global warming top-of-mind for consumers, Fujitsu is committed to offering solutions that help consumers conserve energy and improve the quality of our environment.

### Display sleep mode:

When the AC adapter is connected, the screen will deactivate after 10 minutes. When the AC adapter is disconnected (battery operation), the screen will turn off after 4 minutes.

### Energy saving benefits:

Fujitsu ENERGY STAR qualified mobile PCs use about half as much electricity as standard equipment – saving half in utility costs. But more than that, ENERGY STAR also makes a difference for the environment. Did you know that the average house can be responsible for twice the greenhouse gas emissions as the average car? That's because every time you flip on a light switch, run your dishwasher, or turn on your PC, you use energy, which means more greenhouse gas emissions from power plants. So the more energy we can save through energy efficiency, the more we help to reduce greenhouse gases and the risks of global warming.

To learn more about the important ENERGY STAR program, visit: "[www.energystar.gov](http://www.energystar.gov)".

To read about how Fujitsu is supporting Sustainable Management along with several other environmental activities, visit the Fujitsu Corporate Citizenship page at: "<http://www.computers.us.fujitsu.com/www/content/aboutus/environmental/environment.php>".

# FCC and IC Regulatory Information



Please note the following regulatory information related to the wireless LAN device.

## Regulatory Notes and Statements

### Wireless LAN, Health and Authorization for use

Radio frequency electromagnetic energy is emitted from Wireless LAN devices. The energy levels of these emissions, however, are far much less than the electromagnetic energy emissions from wireless devices such as mobile phones. Wireless LAN devices are safe for use by consumers because they operate within the guidelines found in radio frequency safety standards and recommendations. The use of Wireless LAN devices may be restricted in some situations or environments, such as:

- On board an airplane, or
- In an explosive environment, or
- In situations where the interference risk to other devices or services is perceived or identified as harmful.

In cases in which the policy regarding use of Wireless LAN devices in specific environments is not clear (e.g., airports, hospitals, chemical/oil/gas industrial plants, private buildings), obtain authorization to use these devices prior to operating the equipment.



**WARNING:** The Fujitsu Tablet when used in dock mode in the cradle will communicate via RF. The device radiates radio frequency energy at a level below the United States FCC and Canada's ISED radio frequency exposure limits. However, the Tablet in docked mode shall not be used in body worn positions. Human contact during normal operation should be minimized and a body to Tablet distance of >20cms shall be maintained. Use of other accessories may not ensure compliance with FCC RF exposure guidelines. Details of the authorized configurations can be found on FCC website by entering the FCC ID number that is shown on this device.

## Regulatory Information/Disclaimers

Installation and use of this Wireless LAN device must be in strict accordance with the instructions included in the user documentation provided with the product. Any changes or modifications made to this device that are not expressly approved by the manufacturer may void the user's authority to operate the equipment. The manufacturer is not responsible for any radio or television interference caused by unauthorized modification of this device, or the substitution or attachment of connecting cables and equipment other than those specified by the manufacturer. It is the responsibility of the user to correct any interference caused by such unauthorized modification, substitution or attachment. The manufacturer and its authorized resellers or distributors will assume no liability for any damage or violation of government regulations arising from failure to comply with these guidelines.

This device must not be co-located or operated in conjunction with any other antenna or transmitter.

**For IEEE 802.11a Wireless LAN:** For operation within 5.15~5.25 GHz frequency range, it is restricted to indoor environments, and the antenna of this device must be integral.

## **Federal Communications Commission and Industry Canada statement:**

This device complies with Part 15 of FCC Rules and Industry Canada license exempt RSS standard(s).

Operation is subject to the following two conditions: (1) This device may not cause interference, and, (2) This device must accept any interference, including interference that may cause undesired operation of this device.

## **Déclaration d'Industrie Canada**

This device complies with Industry Canada's license-exempt devices and RSS standards for Internet updates. Cet appareil est conforme à la RSS concernant les appareils exempts de licence par Industrie Canada. Its operation is subject to the following two conditions: Son fonctionnement est soumis aux deux conditions suivantes : (1) This device may not cause harmful interference; (2) this device must accept any interference received, including interference that may cause undesired operation. (1) cet appareil ne doit pas causer d'interférence nuisible; (2) cet appareil doit accepter toutes les interférences reçues, y compris celles pouvant causer un mauvais fonctionnement de l'appareil.

## **FCC Interference Statement**

This equipment has been tested and found to comply with the limits for a Class B digital device, pursuant to Part 15 of the FCC Rules. These limits are designed to provide reasonable protection against harmful interference in a residential installation. This equipment generates, uses, and can radiate radio frequency energy. If not installed and used in accordance with the instructions, it may cause harmful interference to radio communications. However, there is no guarantee that interference will not occur in a particular installation.

If this equipment does cause harmful interference to radio or television reception, which can be determined by turning the equipment off and on, the user is encouraged to try and correct the interference by one or more of the following measures:

1. Reorient or relocate the receiving antenna.
2. Increase the distance between the equipment and the receiver.
3. Connect the equipment to an outlet on a circuit different from the one the receiver is connected to.
4. Consult the dealer or an experienced radio/TV technician for help.

## FCC Radio Frequency Exposure statement

The available scientific evidence does not show that any health problems are associated with using low power wireless devices. There is no proof, however, that these low power wireless devices are absolutely safe. Low power wireless devices emit low levels of radio frequency energy (RF) in the microwave range while being used. Whereas high levels of RF can produce health effects (by heating tissue), exposure to low-level RF that does not produce heating effects causes no known adverse health effects. Many studies of low-level RF exposure have not found any biological effects. Some studies have suggested that some biological effects might occur, but such findings have not been confirmed by additional research.

The wireless LAN radio components have been successfully tested for compliance with the FCC radio frequency limit values for unmonitored devices. The radio components comply with the FCC Radio Frequency (RF) Exposure Guidelines in Supplement C to OET65.

The exposure standard for wireless devices employs a unit of measurement known as the Specific Absorption Rate, or SAR. The SAR limit set by the FCC is 1.6W/kg, and 1.6W/kg by Industry Canada.

This device is compliant with SAR for general population / uncontrolled exposure limits in ANSI/IEEE C95.1-1992 and Canada RSS 102, and had been tested in accordance with the measurement methods and procedures specified in FCC CFR Rule Part 15.247 and 15.401, and Canada RSS 102. This device has been tested, and meets the FCC, IC RF exposure guidelines when tested with the device operating conditions.

## Déclaration de la FCC/d'Industrie Canada sur l'exposition aux radiofréquences

La norme régissant l'exposition des appareils sans fil aux radiofréquences emploie une unité de mesure dénommée Taux d'absorption spécifique, ou TAS. La FCC et Industrie Canada ont défini la même limite de TAS : 1.6 W/kg. Cet appareil est conforme au TAS pour les limites d'exposition générales de la population/non contrôlées définies par les règles C95.1-1992 de l'ANSI/IEEE et RSS 102 d'Industrie Canada ; il a été testé en conformité avec les méthodes et procédures de mesure spécifiées dans le FCC CFR Rule Part 15.247 and 15.401 (O d'ingénierie et de technologie) et la règle RSS 102 d'Industrie Canada. Cet appareil a été testé selon les directives de la FCC et d'IC concernant l'exposition aux radiofréquences et s'est révélé conforme à ces dernières lorsqu'il a été testé en contact direct avec le corps.

## Export restrictions

This product or software contains encryption code which may not be exported or transferred from the US or Canada without an approved US Department of Commerce export license. This device complies with Part 15 of FCC Rules, as well as ICES 003 B / NMB 003 B. Operation is subject to the following two conditions: (1) this device must not cause harmful interference, and (2) this device must accept any interference received, including interference that may cause undesirable operation. Modifications not expressly authorized by Fujitsu America, Inc. may invalidate the user's right to operate this equipment.

## Restrictions concernant l'exportation

Ce produit ou logiciel contient du code de chiffrement qui ne peut être exporté ou transféré du Canada ou des États-Unis sans un permis d'exportation du département du commerce des États-Unis. Ce matériel est conforme à la Partie 15 des règlements de la FCC, ainsi qu'à la norme ICES 003 B/NMB 003 B. Son fonctionnement est soumis aux deux conditions suivantes : (1) cet appareil ne doit pas causer d'interférence nuisible; (2) cet appareil doit accepter toutes les interférences reçues, y compris celles pouvant causer un mauvais fonctionnement de l'appareil. Toute modification n'ayant pas été expressément approuvée par la société Fujitsu America Incorporated peut annuler le droit de l'utilisateur de se servir du matériel.

# Canadian Notice / Avis pour le Canada

## Canadian Notice

The device for the 5150 - 5250 MHz band is only for indoor usage to reduce the potential for harmful interference to co-channel mobile satellite systems.

The maximum antenna gain of 6 dBi permitted (for devices in the 5250 - 5350 MHz, 5470 - 5725 MHz and 5725 - 5825 MHz bands) to comply with the e.i.r.p. limit as stated in RSS-247.

In addition, users are cautioned to take note that high power radars are allocated as primary users (meaning they have priority) of 5250 - 5350 MHz and 5650 - 5850 MHz and these radars could cause interference and/or damage to LE-LAN devices.

## Avis pour le Canada

Le matériel destiné à un usage sur la bande 5 150 - 5 250 MHz doit être utilisé uniquement à l'intérieur afin de réduire les risques de brouillage nuisible causé aux systèmes mobiles par satellite fonctionnant sur un même canal.

Un gain d'antenne de 6 dBi est autorisé (pour le matériel utilisant les bandes 5 250 - 5 350 MHz, 5 470 - 5 725 MHz et 5 725 - 5 825 MHz), conformément à la limite p.i.r.e. maximale permise afférent aux périphériques RSS-247.

En outre, les utilisateurs doivent prendre garde au fait que les radars de grande puissance sont considérés comme des utilisateurs principaux (ce qui signifie qu'ils sont prioritaires) des bandes 5 250 - 5 350 MHz et 5 650 - 5 850 MHz et qu'ils pourraient causer des interférences et/ou des dommages aux appareils de réseau exempts de licence.



**AVERTISSEMENT** – Le notebook Fujitsu communiquera par radiofréquences (RF) lorsqu'elle est utilisée en mode station d'accueil dans le socle. L'appareil émet de l'énergie radiofréquence d'une intensité inférieure aux limites d'exposition humaine aux radiofréquences établies par la FCC aux États-Unis et par ISDE au Canada. Toutefois, en mode station d'accueil, le notebook ne doit pas toucher le corps. Les contacts avec le corps pendant le fonctionnement normal de l'appareil doivent être minimisés et une distance de plus de 20 cm doit être maintenue entre le corps et le notebook. L'utilisation d'autres accessoires peut conduire à un usage non conforme aux limites d'exposition aux radiofréquences de la FCC. Des détails au sujet des configurations autorisées sont fournis sur le site Web de la FCC. Entrez alors le numéro d'identification FCC qui apparaît sur cet appareil.



# Appendix

## Before Using the Optional Wireless LAN

This manual describes the procedures required to properly set up and configure the optional integrated Wireless LAN Mini-PCI device (referred to as "WLAN device" in the rest of the manual). Before using the WLAN device, read this manual carefully to ensure its correct operation. Keep this manual in a safe place for future reference.

## Wireless LAN Devices Covered by this Document

This document is applicable to systems containing the following device:

- Intel® Dual Band Wireless-AC 9560D2W (802.11ac/a/b/g/n WLAN) with Bluetooth v5.0

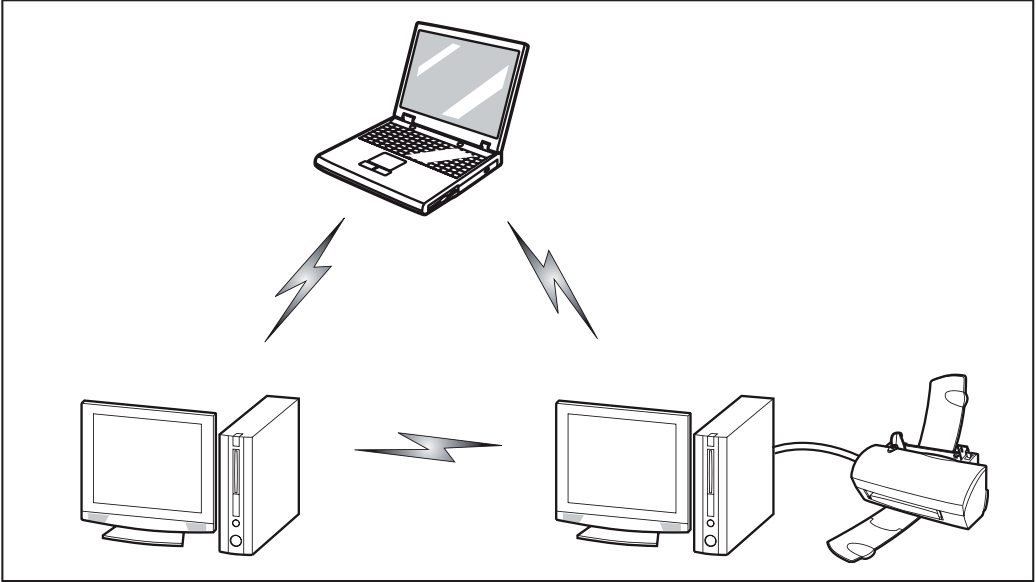
## Characteristics of the WLAN Device

- The WLAN devices are PCI Express Mini cards attached to the main board of the mobile computer.
- The WLAN devices operate in license-free RF bands, eliminating the need to procure an FCC operating license. The WLAN operates in the 2.4GHz Industrial, Scientific, and Medical (ISM) RF band and the lower, middle, and upper bands of the 5GHz Unlicensed National Information Infrastructure (UNII) bands.
- The WLAN components support five operating modes: IEEE802.11a, IEEE802.11b, IEEE802.11g, IEEE802.11n und IEEE802.11AC.
- The WLAN device is Wi-Fi certified and operates (as applicable) at a the maximum data rate of 450 Mbps in IEEE802.11n mode (300 Mbps in this configuration); 54 Mbps in IEEE802.11g mode; and 11 Mbps in IEEE802.11b mode.
- The WLAN devices support the following encryption methods - WEP, TKIP, CKIP, and AES encryption.
- The Wireless LAN devices are compliant with the following standards: WPA, WPA2, CCX1.0, CCX2.0, CCX3.0, and CCX4.0.

## Wireless LAN Modes Using this Device

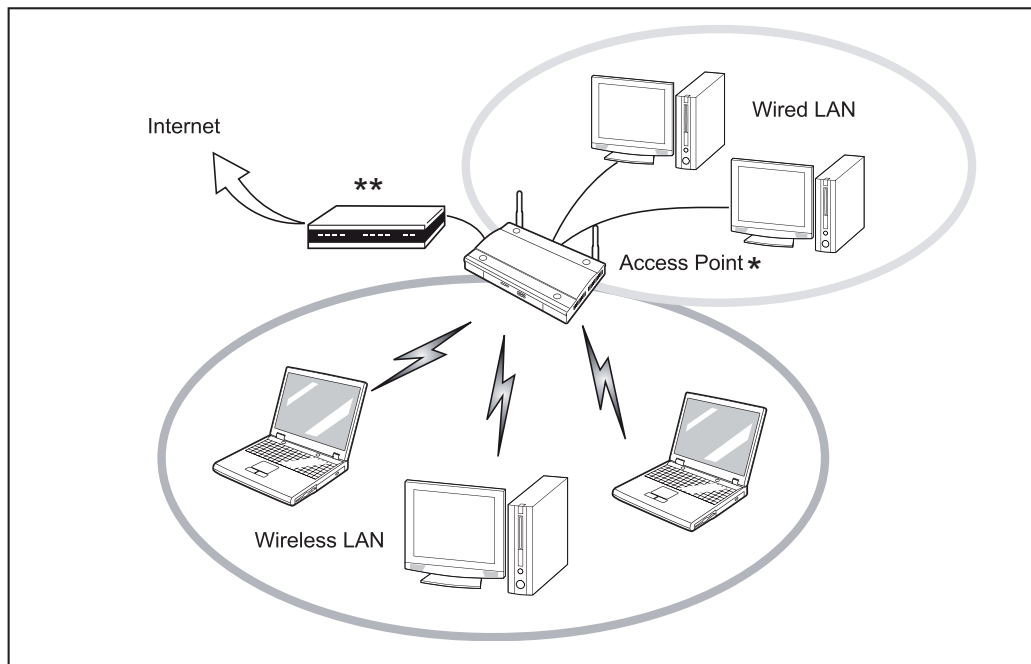
### Ad Hoc Mode

"Ad Hoc Mode" refers to a wireless network architecture where wireless network connectivity between multiple computers is established without a central wireless network device, typically known as Access Point(s). Connectivity is accomplished using only client devices in a peer-to-peer fashion. That is why Ad Hoc networks are also known as peer-to-peer networks. Ad Hoc networks are an easy and inexpensive method for establishing network connectivity between multiple computers. Ad Hoc mode requires that the SSID, network authentication, and encryption key settings are identically configured on all computers in the Ad Hoc network.



**Access Point (Infrastructure) Mode**

Infrastructure mode refers to a wireless network architecture in which devices communicate with wireless or wired network devices by communicating through an Access Point. In infrastructure mode, wireless devices can communicate with each other or with a wired network. Corporate wireless networks operate in infrastructure mode because they require access to the WLAN in order to access services, devices, and computers (e.g., file servers, printers, databases).



\* = An optional hub for a wired LAN may be required depending upon the type of access point used.

\*\* = ADSL modem, cable modem, or similar

### How to Handle This Device

The WLAN device is an optional device that may come pre-installed in your mobile computer. Under normal circumstances, it should not be necessary for you to remove or re-install it. The Operating System that your mobile computer comes with has been pre-configured to support the WLAN device.

- Integrated Intel Centrino wireless LAN devices support IEEE802.11a, IEEE802.11b, IEEE802.11g, and IEEE802.11n.
- The WLAN device operates in the 2.4 GHz ISM band and the 5 GHz lower, middle, and upper UNII bands.
- Microwave ovens may interfere with the operation of WLAN devices since they operate in the same 2.4 GHz frequency range as IEEE802.11b/g/n devices. Interference by microwaves does not occur with IEEE802.11a radio which operates in the 5 GHz RF band.
- Wireless devices that transmit in the 2.4 GHz range may interfere with operation of WLAN devices in IEEE802.11b/g/n modes. Symptoms of interference include reduced throughput, intermittent disconnects, and many frame errors. It is HIGHLY recommended that these interfering devices be powered off to ensure proper operation of the WLAN device.

## Deactivating/Disconnecting the WLAN Device

Disconnecting the WLAN device may be desired in certain circumstances (to extend battery life) or where certain environments require it (i.e. hospitals, clinics, airplanes, etc.). The WLAN device can be disconnected in Windows using the WLAN icon in the system tray (Note that disconnecting via the icon in the system tray does not turn off the radio; it continues to transmit and receive even though it's not connected.)

The radio components are switched on and off using the appropriate functions of the operating system.

- ▶ To switch radio components on and off individually, select *Settings Network & Internet - WiFi - On / Off*.

## Configuring the Wireless LAN

The optional WLAN device can be configured to establish wireless network connectivity using the software that is built into Windows. Support for most industry standard security solutions is contained in this software.

Pre-defined parameters will be required for this procedure. Please consult with your network administrator for these parameters:

### Connection to the network

After you have configured your computer, you can connect to an active network by performing the following steps:

1. Click on the *WLAN* icon in the system tray.
2. Select *Connect to a network*.
3. Select a network from the list that appears, and click the *Connect* button.

### Troubleshooting the WLAN

Causes and countermeasures for troubles you may encounter while using your wireless LAN are described in the following table.

Problem	Possible Cause	Possible Solution
Unavailable network connection	Incorrect network name (SSID) or network key	<p><b>Ad hoc connection:</b> verify that the network names (SSID's) and network keys (WEP) of all computers to be connected have been configured correctly. SSID's and WEP key values must be identical on each machine.</p> <p><b>Access Point (Infrastructure) connection:</b> set the network name (SSID) and network key to the same values as those of the access point.</p> <p>Set the Network Authentication value identically to that of the Access Point. Please consult your network administrator for this value, if necessary.</p>
	Weak received signal strength and/or link quality	<p><b>Ad hoc connection:</b> Retry connection after shortening the distance to the destination computer or removing any obstacles for better sight.</p> <p><b>Access Point (Infrastructure) connection:</b> Retry connection after shortening the distance to the access point or removing any obstacles for better sight.</p>

Problem	Possible Cause	Possible Solution
Unavailable network connection (continued)	The WLAN device was deactivated or is disabled	Check if the wireless switch is turned On. Go to <i>Start &gt; Control Panel</i> , and doubleclick on <i>Windows Mobility Center</i> . If the wireless network is off, click the <i>Turn wireless on</i> button.
	The computer to be connected is turned off	Check if the computer to be connected is turned ON.
	Incorrectly configured network settings	Recheck the configuration of your network settings.
	RF interference from Access Points or other wireless networks	The use of identical or overlapping RF channels can cause interference with the operation of the WLAN device. Change the channel of your Access Point to a channel that does not overlap with the interfering device.
	Wireless network authentication has failed	Re-check your Network Authentication, Encryption, and Security settings. Incorrectly configured security settings such as an incorrectly typed WEP key, a mis-configured LEAP username, or an incorrectly chosen authentication method will cause the LAN device to associate but not authenticate to the wireless network.
	Incorrect IP address configuration	This only applies to networks using static IP addresses. Please contact your network administrator for the correct settings.

## Using the Bluetooth Device

Bluetooth is integrated into the Wireless LAN module. The Bluetooth capabilities are Bluetooth Basic, EDR and Bluetooth Low Energy (BT v5.0) operational modes.

### What is Bluetooth?

Bluetooth technology is used to connect mobile device to one other over a short distance, such as Tablet PCs, phones, printers and cameras. With Bluetooth technology, personal area technologies (PANs) are generated between devices in the vicinity.



Proceed as follows to change Bluetooth settings:

1. In the Start menu search field, search for "Bluetooth."
2. Select the Bluetooth settings option (dependent on the operating system).
3. In the Bluetooth settings window, make the desired settings.

### **Where to Find Information About Bluetooth**

For additional information about Bluetooth Technology, visit the Bluetooth Web site at: ["www.bluetooth.com"](http://www.bluetooth.com).

### **FCC Radiation Exposure Statement**

This system complies with the FCC limit values for radio frequency radiation in an uncontrolled environment. The Bluetooth antenna is located at the top edge of the LCD screen and is exempt from the criteria for minimum distance because of its low power consumption.

The transmitter used in this system must not be operated together with other antennas or transmitters.

### **Canadian Notice**

To prevent radio interference to licensed services, this system is designed for use in indoor spaces / in buildings and not directly at window openings, to allow a maximum shielding.

### **Warranty**

Users are not authorized to modify this product. Any modifications invalidate the warranty.

This equipment may not be modified, altered, or changed in any way without signed written permission from Fujitsu. Unauthorized modification will void the equipment authorization from the FCC and Industry Canada and the warranty.

## **4G Sierra Wireless AirPrime EM7455B Regulatory and Safety Information**

Please read this section carefully prior to using the Integrated 4G Sierra Wireless AirPrime™ EM7455B with GPS support in your Fujitsu computer. (Integrated on LTE module.)

### **Important notice**

Because of the nature of wireless communications, transmission and reception of data can never be guaranteed. Data may be delayed, corrupted (that is, have errors) or be totally lost. Although significant delays or losses of data are rare when wireless devices such as the WWAN module are used in a normal manner with a well-constructed network, the card should not be used in situations where failure to transmit or receive data could result in damage of any kind to the user or any other party, including but not limited to personal injury, death, or loss of property. Sierra Wireless and its affiliates accept no responsibility for damages of any kind resulting from delays or errors in data transmitted or received using the 4G Sierra Wireless AirPrime EM7455B WWAN Module, or for failure of the module to transmit or receive such data.

### **Safety and hazards**

The WWAN module **MUST BE POWERED OFF** in all areas that may be susceptible to radio interference. In particular:

#### **Prohibited Areas**

Obey all signs and notices and follow all rules and regulations. Power off the WWAN module when instructed to do so or when you suspect that it may cause interference or danger.

#### **Where explosive atmospheres may be present**

Areas with a potentially explosive atmosphere are not always clearly marked. Such areas include gas stations, fuel depots, chemical transfer or storage facilities, areas where blasting is in progress, areas where the air contains chemicals or particles such as grain, dust, or metal powders, and any other area where you would normally be advised to turn off your cellular phone or vehicle engine.

#### **Near medical or life-support equipment**

In areas where medical equipment may be susceptible to any form of radio interference. In such areas the 4G Sierra Wireless AirPrime EM7455B WWAN Module can transmit signals that could interfere with this equipment.

#### **On board aircraft**

In addition to Federal Aviation Authority (FAA) requirements, many airline regulations state that you must suspend wireless operations before boarding an aircraft. The WWAN module is capable of transmitting signals that could interfere with various onboard systems and controls.

Failure to observe this instruction may lead to suspension or denial of cellular telephone services to the offender, legal action, or both.

Some airlines may permit the use of cellular phones while the aircraft is on the ground and the door is open. The WWAN module may be used normally at this time.

#### **While operating a vehicle**

The driver or operator of any vehicle should not use a wireless data device while in control of a vehicle. Doing so detracts from the driver or operator's ability to control and operate the vehicle. In some countries, using such communications devices while in control of a vehicle is an offense.



## Important safety/compliance information for North American users



Unauthorized modifications or changes not expressly approved by Sierra Wireless, Inc. could void compliance with regulatory rules, and thereby your authority to use this equipment.

The design of the WWAN module complies with U.S. Federal Communications Commission (FCC) and Industry Canada (IC) guidelines respecting safety levels of radio frequency (RF) exposure for portable devices, which in turn are consistent with the following safety standards previously set by Canadian, U.S. and international standards bodies:

- ANSI / IEEE C95.1-1999, IEEE Standard for Safety Levels with Respect to Human Exposure to Radio Frequency Electromagnetic Fields, 3kHz to 300 GHz
- National Council on Radiation Protection and Measurements (NCRP) Report 86, -1986, Biological Effects and Exposure Criteria for Radio Frequency Electromagnetic Fields
- Health Canada, Safety Code 6, 1999, Limits of Human Exposure to Radio Frequency Electromagnetic Fields in the Frequency Range from 3 kHz to 300 GHz
- International Commission on Non-Ionizing Radiation Protection (ICNIRP) 1998, Guidelines for limiting exposure to time-varying electric, magnetic, and electromagnetic fields (up to 300 GHz)

4G Sierra Wireless AirPrime EM7455B	FCC ID: EJE-EM7455D4
-------------------------------------	----------------------



The WWAN module has been evaluated for compliance with FCC/IC RF exposure limits in this laptop configuration. This WWAN module must not be co-located or operated in conjunction with any other antenna or transmitter other than the transmitters that have been approved with this laptop. Use of this device in any other configuration may exceed the FCC RF Exposure compliance limit.

## FCC Radio Frequency Exposure statement

The available scientific evidence does not show that any health problems are associated with using low power wireless devices. There is no proof, however, that these low power wireless devices are absolutely safe. Low power wireless devices emit low levels of radio frequency energy (RF) in the microwave range while being used. Whereas high levels of RF can produce health effects (by heating tissue), exposure to low-level RF that does not produce heating effects causes no known adverse health effects. Many studies of low-level RF exposure have not found any biological effects. Some studies have suggested that some biological effects might occur, but such findings have not been confirmed by additional research. The WWAN and the WLAN radio devices have been tested and found to comply with FCC radiation exposure limits set forth for an uncontrolled equipment and meets the FCC radio frequency (RF) Exposure Guidelines in Supplement C to OET65.

# Image Backup and Recovery Procedures

## Windows 10 Procedures

It is very important that you create your Recovery Drive before beginning to use your system.

It is also important that you create a backup of the content of *C:\Drivers* on your system to writable media or an external drive. System-specific software drivers are also available for download through the Fujitsu support site.

**Note:** Most of the information below comes from the Microsoft® page "<http://windows.microsoft.com/en-us/windows-10/windows-10-recovery-options>". Please refer to it for more details.

### Creating a recovery drive

A recovery drive can help you troubleshoot and fix problems with your PC, even if it won't start. To create one, all you need is a USB flash drive. Windows will inform you of the size of the USB flash drive needed to hold the required data.

1. From the taskbar, search for *Create a recovery drive* and then select it. You may be asked to enter an administrator password or confirm your selection.
2. When the tool opens, make sure *Backup system files to the recovery drive* is selected and then select *Next*.
3. Connect a USB drive to your PC, select it, and then select *Next - Create*. A large number of files need to be copied to the recovery drive, so this could take some time.
4. When it's done, select *Finish*.

Note:

If you chose not to back up the system files when you created your recovery drive on Windows 10, you won't be able to use it to reinstall Windows.

### Recovery options in Windows 10

If your PC isn't running as quickly or reliably as it used to, try one of these recovery options. The following table can help you decide which one to use.

Problem	Try this
Your PC isn't working well and you recently installed an app, driver, or update.	Restore from a system restore point
Your PC isn't working well and it's been a while since you installed anything new.	Reset your PC
Your PC won't start and you've created a recovery drive.	Use a recovery drive to reinstall Windows
Your PC won't start and you haven't created a recovery drive.	Use installation media to reinstall Windows

#### Restore from a system restore point

This option takes your PC back to an earlier point in time, called a system restore point. Restore points are generated when you install a new app, driver, or Windows update, and when you

create a restore point manually. Restoring won't affect your personal files, but it will remove apps, drivers, and updates installed after the restore point was made.

1. Once you have updated the RS2, click on the start button with the right-hand mouse button (or press and hold it) and then select *Control Panel*.
2. Search *Control Panel* for *Recovery*.
3. Select *Recovery - Open System Restore - Next*.
4. Choose the restore point related to the problematic app, driver, or update, and then select *Next - Finish*.

Note: If you don't see any restore points, it could be because the system protection isn't turned on. To check, go to the *Control Panel*, search for *Recovery*, and then select *Recovery - Configure System Restore - Configure* and make sure that *Turn On System Protection* is selected.

## Reset your PC

Resetting lets you choose whether to keep your files or remove them, and then reinstalls Windows.

1. Select *Settings - Update & security - Reset this PC - Get started*
2. Choose an option:

Option	What it does
Keep my files	This reinstalls Windows 10, but keeps your personal files and any apps that came with your PC. It removes: <ul style="list-style-type: none"> <li>• Changes you made to settings</li> <li>• Apps and drivers you installed</li> </ul>
Remove everything	This reinstalls Windows 10 and any apps that came with your PC. It removes: <ul style="list-style-type: none"> <li>• Personal files</li> <li>• Changes you made to settings</li> <li>• Apps and drivers you installed</li> </ul> <p>If you're planning to donate, recycle, or sell your PC, use this option and choose to fully clean the drive. This might take an hour or two, but it makes it harder for other people to recover files you've removed.</p>

## Use a recovery drive to reinstall Windows

Note: This process utilizes the USB Recovery Drive that you created in the previous section "Create a Recovery Drive".

1. To reset your PC, select *Settings - Update & security - Recovery - Advanced startup - Restart now*. If that doesn't fix the problem, try *Troubleshoot - Recover* from a drive. This will remove your personal files, apps and drivers you installed, and changes you made to settings. If you repartitioned the drive Windows is installed on, note that this will restore the drive's default partitions.

## Use installation media to reinstall Windows

If you have installation media, like a Recovery DVD that you purchased from Fujitsu, you can use it to reinstall Windows. You will need to install additional drivers and applications after reinstalling Windows.

To reinstall Windows, follow the steps below:

1. Power on your system. When the Fujitsu logo appears on the screen, press the **F12** key.
2. Insert the bootable disc in your DVD drive.
3. Highlight the CD/DVD option from the Boot Menu and press **Enter**.
4. Follow the on-screen instructions to restore the image.
  - Select the language.
  - At the Windows Setup dialog window, enter your OS, language and other preferences and click *Next* to continue.
  - Click *Install now* to proceed with reinstalling Windows.
  - At License terms, check on *I accept the license terms* and click *Next*.
  - At *Which type of installation do you want*, click on *Custom: Install Windows only (advanced)*.
  - Delete all partitions on the drive and click *Next*. Installation of Windows will start. This will take some time so please wait until the installation is finished and the system restarts.
5. When the system restarts, perform all set-up steps to arrive at the Desktop.
6. Connect to the Internet.
7. Use the *Backup of the contents of the C:\Drivers* folder to install needed drivers and applications to your system. If it is not available, download the software from the Fujitsu Support Site, as described below in the "Auto Installation support for the software downloaded from support website" section below.

### **Auto Installation support for the software downloaded from support website**

1. Download FSDM (Fujitsu Software Download Manager) from the support site and download all the drivers applicable to the model and OS using FSDM if they are not downloaded yet.
2. When the software packages are downloaded from the web, it is important to download the Auto Installer Software package and the model/language-specific Readme file if you prefer to auto install the software.
3. It is important to have the extracted Auto Installer software package folder and Readme file in the same location as the other software folders. Otherwise auto-installation of the software will not be supported.
4. Inside the Auto Installer software package, launch *FjAutoinstall.exe* as administrator.
5. Click *Yes* on the *User Account Control* dialog box. This will take some time to process the software packages. A message will be displayed during this time stating *Please wait while the content is being processed*.
6. If the EULA is displayed for Fujitsu Software Auto Installer, accept the EULA, otherwise continue.
7. The Fujitsu Software Auto Installer user interface will be launched providing the ability to auto install the software downloaded from the support site.
8. It is recommended that you install all the software in the listed order. You can *Select All*, to install the software in the order listed.
9. Click the *Install* button to start the installation.
10. After installing all the selected drivers, the Installation Results window is displayed. Click *OK*.
11. *You must restart the system for the settings to take effect. Do you wish to reboot now?* message appears. Select *Yes*.
12. The system will now reboot.

## Downloading driver updates

To ensure that you always have the most current driver updates related to your system, you should occasionally access the Fujitsu Software Download Manager (FSDM) utility. The FSDM utility is available from the Fujitsu Support site. FSDM will allow you to view and download the most current drivers, utilities and applications to determine whether you have the latest versions. To download the FSDM utility, go to the support site: ["http://support.fujitsupc.com/CS/Portal/support.do?srch=DOWNLOADS"](http://support.fujitsupc.com/CS/Portal/support.do?srch=DOWNLOADS).

# Index

## A

- AC adapter
  - connecting 19
  - Set up 19
- Anti-theft protection 63
- Audio connections 71

## B

- Battery 33
  - battery charge 35
  - Caring for and maintaining 34
  - charge level 34
  - Charging 34
  - Discharges too quickly 80
  - see Rechargeable battery 33
  - Self-discharge 34
  - Service life 33
  - Storage 34
- battery charge meter 34
- BIOS Setup Utility
  - , protecting with password 63
  - calling 72
  - exiting 74
  - operation 73
  - Settings 72
- Bluetooth, Safety notes 14
- Bonus Apps 21

## C

- Charge capacity, battery 34
- Choose a location 19
- Cleaning 17
- Configuration, BIOS Setup Utility 72
- Configuring hardware 72
- Configuring system 72
- Connecting audio devices 71
- Connecting headphones 71
- Cradle 46
  - Connecting a Tablet PC 47

## D

- dark touchscreen 77
- Date not correct 76
- Declaration of Conformity 7
- Display orientation
  - select 27
- DOC (INDUSTRY CANADA) NOTICES 88

## E

- Ending
  - energy saving mode 79
- Energy
  - Energy saving 14
  - power-saving functions 35
- Error messages on the screen 81
- Errors
  - Screen messages 81
- Ethernet LAN 44

## F

- Fault
  - Elimination 75
- Fingerprint sensor 62
  - configuring 62
- First-time setup 18

## G

- Getting started 18

## H

- HDMI port 67

## I

- Important notes 13
- Incorrect time 76
- Information,
  - safety 13
- Instructions
  - Cleaning 17

## K

- Keyboard
  - cleaning 17
- Keyboard cover
  - Connecting a Tablet PC 51
  - Ports 50

## L

- Landscape format
  - display 27

## M

- Making ready to use 19

- Memory card
  - handling 36
  - inserting 38
  - removing 40
- Mobile operation 15
- Monitor
  - connection 68
  - no image 78
  - remains blank 78
  - unstable image 78
- Monitor connection
  - see VGA port 68
- N**
- Notes 13
  - disposal / recycling 87
  - Energy saving 14
  - touchscreen 26
  - Transport 15
- O**
- Operating system
  - activating system protection 65
  - cancel system protection 65
  - Protecting with password 65
- P**
- Packaging 18
- Password
  - changing 64
  - entering 64
  - removing 64
- Password protection 63
  - hard disk 66
- Pen 28
- Portrait format
  - display 27
- Ports 46
  - Keyboard cover 50
- Power
  - Power consumption 35
- Power saving 14
- Power-on Power-on indicator 24
- Printer does not print 79
- Problem solving 75
- R**
- Rechargeable battery
  - see battery 33
- S**
- Safety information 13
- Screen connection
  - see VGA port 68
- Security functions 61
- Security Lock
  - Anti-theft protection 63
  - using 63
- Self-discharge, battery 34
- Service life, battery 33
- Set up
  - Device 19
- Setup
  - see BIOS Setup Utility 72
- Slot
  - Memory cards 36
- Status indicators 23
- Summer time 76
- Supervisor password
  - change 64
  - entering 64
  - removing 64
- Switching off
  - Tablet PC 25
- Switching on for the first time 20
- Symbols
  - Indicators 23
- System settings, BIOS Setup Utility 72
- T**
- Tablet
  - operating 22
- Tablet PC
  - before you travel 15
  - cannot be started 79
  - cleaning 17
  - doesn't work 79
  - transporting 15
- Tablet, operation 22
- Tablet: Switching on 24
- Technical data
  - AC adapter 85
- The wireless connection to a network
  - does not work 80
- Time not correct 76
- Tips 75
- Touchpad
  - cleaning 17

Touchscreen  
  cleaning 17  
  difficult to read 77  
  notes 26  
  reflected glare 77  
  remains dark 77

Transport  
  Damage during transportation 18

Transportation 15  
Travel, Tablet PC 15  
Troubleshooting 75

### U

USB port with charging function (USB  
  Type-C™) 70  
USB ports 69  
User password

change 64  
entering 64  
removing 64

### V

VGA port 68

### W

Webcam 33  
Winter time 76  
Wireless components  
  Safety notes 14  
Wireless LAN  
  Safety notes 14  
Wrong date/time 76