

#01_WLAN2.4GHz_802.11b 1Mbps_Bottom Face_0mm_Ch11;Ant 2

Communication System: 802.11b ; Frequency: 2462 MHz; Duty Cycle: 1:1.015

Medium: MSL_2450_171123 Medium parameters used: $f = 2462$ MHz; $\sigma = 1.966$ S/m; $\epsilon_r = 53.38$; $\rho = 1000$ kg/m³

Ambient Temperature : 23.2 °C ; Liquid Temperature : 22.2 °C

DASY5 Configuration:

- Probe: EX3DV4 - SN3925; ConvF(7.94, 7.94, 7.94); Calibrated: 2017/5/24;
- Sensor-Surface: 1.4mm (Mechanical Surface Detection)
- Electronics: DAE4 Sn854; Calibrated: 2017/5/2
- Phantom: ELI v5.0; Type: QDOVA002AA; Serial: TP:1238
- Measurement SW: DASY52, Version 52.8 (8); SEMCAD X Version 14.6.10 (7331)

Area Scan (61x81x1): Interpolated grid: dx=1.200 mm, dy=1.200 mm

Maximum value of SAR (interpolated) = 1.55 W/kg

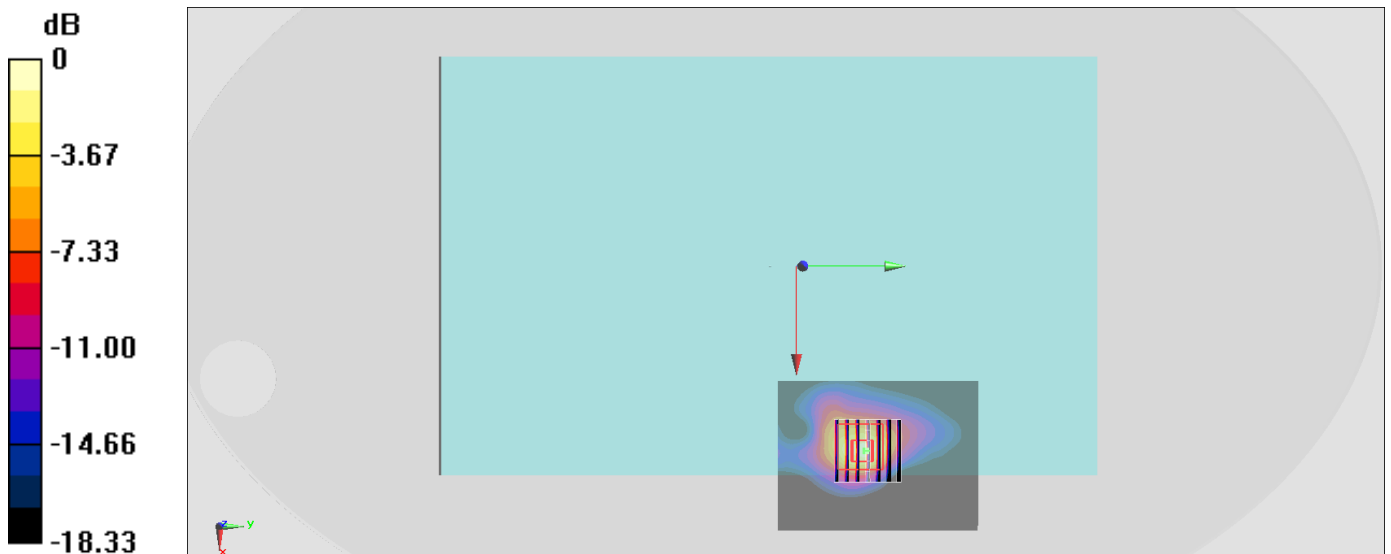
Zoom Scan (7x7x7)/Cube 0: Measurement grid: dx=5mm, dy=5mm, dz=5mm

Reference Value = 28.09 V/m; Power Drift = -0.11 dB

Peak SAR (extrapolated) = 2.24 W/kg

SAR(1 g) = 0.870 W/kg; SAR(10 g) = 0.350 W/kg

Maximum value of SAR (measured) = 1.70 W/kg



0 dB = 1.70 W/kg = 2.30 dBW/kg

#02_WLAN5GHz_802.11n-HT40 MCS0_Edge 1_0mm_Ch54;Ant 2

Communication System: 802.11n; Frequency: 5270 MHz; Duty Cycle: 1:1.032

Medium: MSL_5G_171122 Medium parameters used: $f = 5270$ MHz; $\sigma = 5.215$ S/m; $\epsilon_r = 46.784$; $\rho = 1000$ kg/m³

Ambient Temperature : 23.5 °C ; Liquid Temperature : 22.5 °C

DASY5 Configuration:

- Probe: EX3DV4 - SN3925; ConvF(4.59, 4.59, 4.59); Calibrated: 2017/5/24;
- Sensor-Surface: 1.4mm (Mechanical Surface Detection)
- Electronics: DAE4 Sn854; Calibrated: 2017/5/2
- Phantom: ELI v5.0; Type: QDOVA002AA; Serial: TP:1238
- Measurement SW: DASY52, Version 52.8 (8); SEMCAD X Version 14.6.10 (7331)

Area Scan (71x101x1): Interpolated grid: dx=1.000 mm, dy=1.000 mm

Maximum value of SAR (interpolated) = 2.04 W/kg

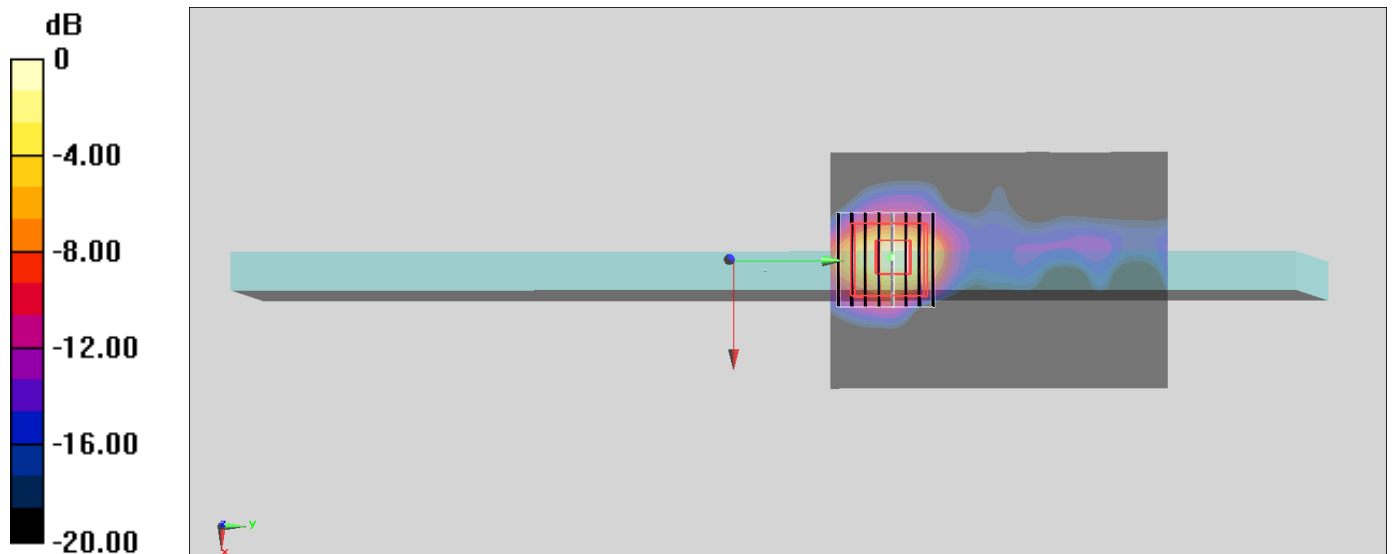
Zoom Scan (8x8x7)/Cube 0: Measurement grid: dx=4mm, dy=4mm, dz=1.4mm

Reference Value = 12.70 V/m; Power Drift = -0.13 dB

Peak SAR (extrapolated) = 3.79 W/kg

SAR(1 g) = 0.770 W/kg; SAR(10 g) = 0.196 W/kg

Maximum value of SAR (measured) = 1.95 W/kg



0 dB = 1.95 W/kg = 2.90 dBW/kg

#03_WLAN5GHz_802.11ac-VHT80 MCS0_Edge 1_0mm_Ch138;Ant 2

Communication System: 802.11ac; Frequency: 5690 MHz; Duty Cycle: 1:1.07

Medium: MSL_5G_171122 Medium parameters used: $f = 5690$ MHz; $\sigma = 5.754$ S/m; $\epsilon_r = 46.125$; $\rho = 1000$ kg/m³

Ambient Temperature : 23.5 °C; Liquid Temperature : 22.5 °C

DASY5 Configuration:

- Probe: EX3DV4 - SN3925; ConvF(4.17, 4.17, 4.17); Calibrated: 2017/5/24;
- Sensor-Surface: 1.4mm (Mechanical Surface Detection)
- Electronics: DAE4 Sn854; Calibrated: 2017/5/2
- Phantom: ELI v5.0; Type: QDOVA002AA; Serial: TP:1238
- Measurement SW: DASY52, Version 52.8 (8); SEMCAD X Version 14.6.10 (7331)

Area Scan (61x91x1): Interpolated grid: dx=1.000 mm, dy=1.000 mm

Maximum value of SAR (interpolated) = 1.89 W/kg

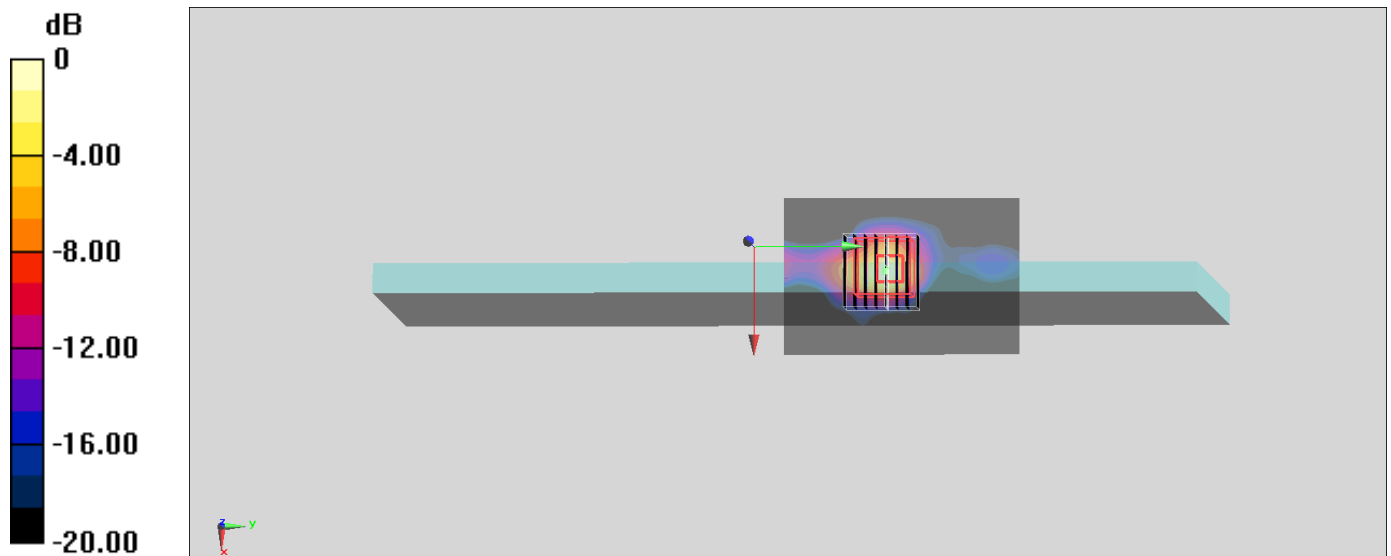
Zoom Scan (8x8x7)/Cube 0: Measurement grid: dx=4mm, dy=4mm, dz=1.4mm

Reference Value = 11.13 V/m; Power Drift = -0.13 dB

Peak SAR (extrapolated) = 8.85 W/kg

SAR(1 g) = 0.794 W/kg; SAR(10 g) = 0.197 W/kg

Maximum value of SAR (measured) = 1.96 W/kg



0 dB = 1.96 W/kg = 2.92 dBW/kg

#04_WLAN5GHz_802.11ac-VHT80 MCS0_Edge 2_0mm_Ch155;Ant 1

Communication System: 802.11ac; Frequency: 5775 MHz; Duty Cycle: 1:1.07

Medium: MSL_5G_171122 Medium parameters used: $f = 5775$ MHz; $\sigma = 5.865$ S/m; $\epsilon_r = 45.983$; $\rho = 1000$ kg/m³

Ambient Temperature : 23.5 °C ; Liquid Temperature : 22.5 °C

DASY5 Configuration:

- Probe: EX3DV4 - SN3925; ConvF(4.14, 4.14, 4.14); Calibrated: 2017/5/24;
- Sensor-Surface: 1.4mm (Mechanical Surface Detection)
- Electronics: DAE4 Sn854; Calibrated: 2017/5/2
- Phantom: ELI v5.0; Type: QDOVA002AA; Serial: TP:1238
- Measurement SW: DASY52, Version 52.8 (8); SEMCAD X Version 14.6.10 (7331)

Area Scan (61x91x1): Interpolated grid: dx=1.000 mm, dy=1.000 mm

Maximum value of SAR (interpolated) = 1.67 W/kg

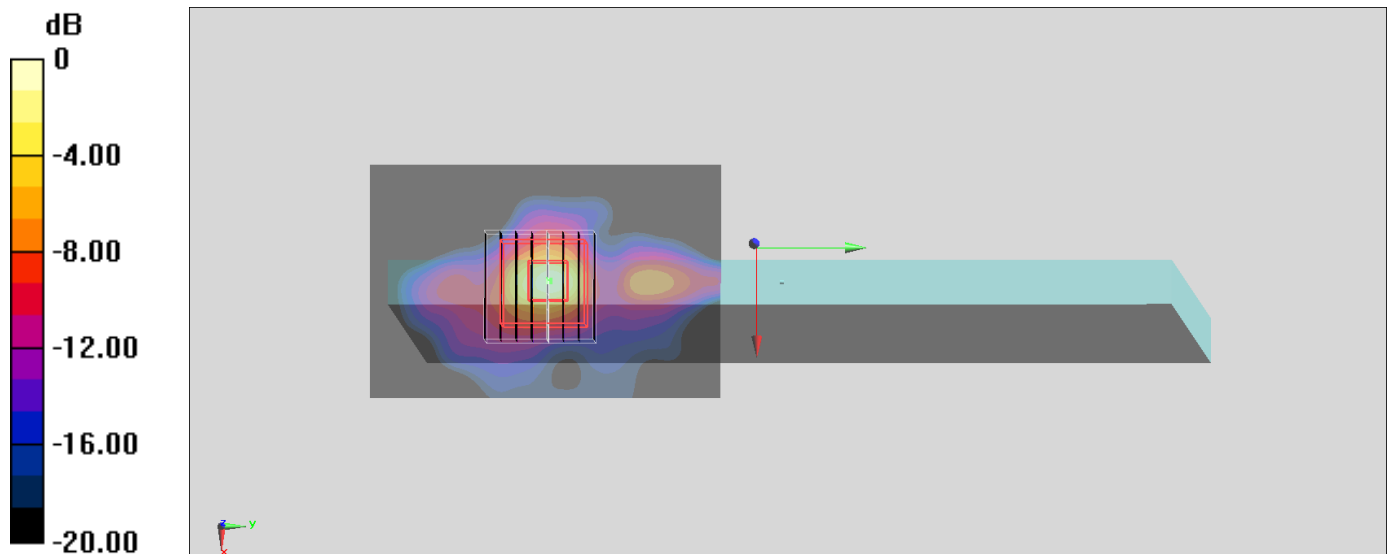
Zoom Scan (8x8x7)/Cube 0: Measurement grid: dx=4mm, dy=4mm, dz=1.4mm

Reference Value = 9.980 V/m; Power Drift = -0.08 dB

Peak SAR (extrapolated) = 3.27 W/kg

SAR(1 g) = 0.592 W/kg; SAR(10 g) = 0.131 W/kg

Maximum value of SAR (measured) = 1.80 W/kg



0 dB = 1.80 W/kg = 2.55 dBW/kg

#05_Bluetooth_1Mbps_Bottom Face_0mm_Ch78;Ant 2

Communication System: Bluetooth ; Frequency: 2480 MHz;Duty Cycle: 1:1.297

Medium: MSL_2450_171123 Medium parameters used: $f = 2480$ MHz; $\sigma = 1.993$ S/m; $\epsilon_r = 53.331$; $\rho = 1000$ kg/m³

Ambient Temperature : 23.2 °C ; Liquid Temperature : 22.2 °C

DASY5 Configuration:

- Probe: EX3DV4 - SN3925; ConvF(7.94, 7.94, 7.94); Calibrated: 2017/5/24;
- Sensor-Surface: 1.4mm (Mechanical Surface Detection)
- Electronics: DAE4 Sn854; Calibrated: 2017/5/2
- Phantom: ELI v5.0; Type: QDOVA002AA; Serial: TP:1238
- Measurement SW: DASY52, Version 52.8 (8);SEMCAD X Version 14.6.10 (7331)

Area Scan (61x81x1): Interpolated grid: dx=1.200 mm, dy=1.200 mm

Maximum value of SAR (interpolated) = 0.463 W/kg

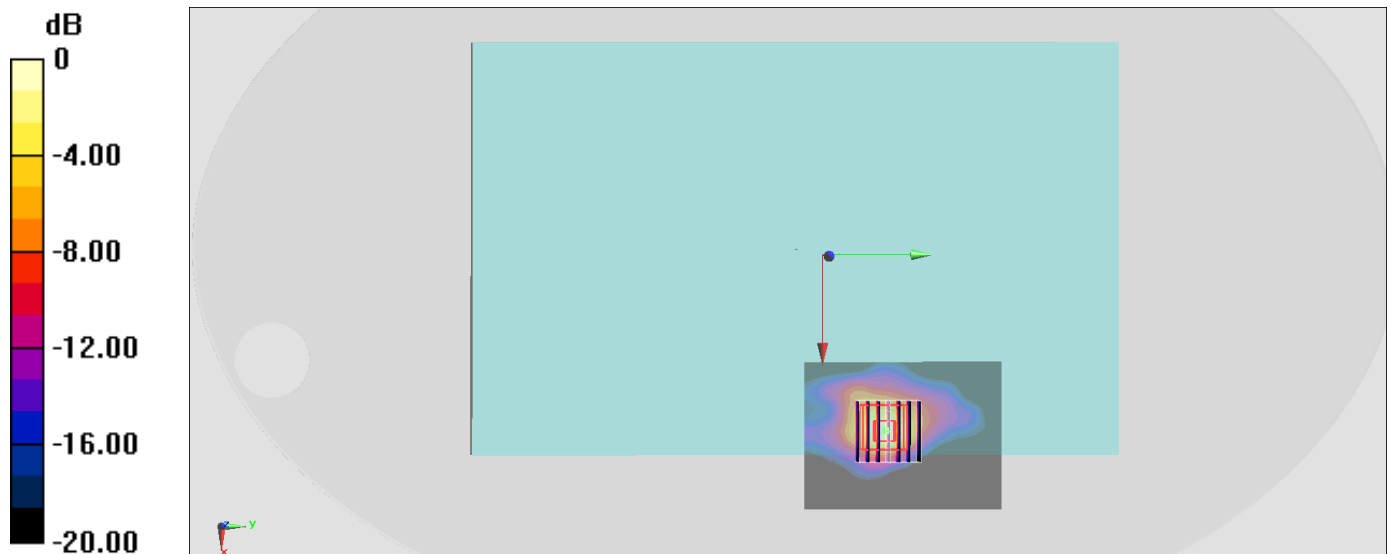
Zoom Scan (7x7x7)/Cube 0: Measurement grid: dx=5mm, dy=5mm, dz=5mm

Reference Value = 14.39 V/m; Power Drift = -0.06 dB

Peak SAR (extrapolated) = 0.605 W/kg

SAR(1 g) = 0.251 W/kg; SAR(10 g) = 0.102 W/kg

Maximum value of SAR (measured) = 0.464 W/kg



0 dB = 0.464 W/kg = -3.33 dBW/kg