

STYLISTIC

User Manual
STYLISTIC Q507

Legal Notices

Fujitsu, the Fujitsu logo and STYLISTIC are trademarks or registered trademarks of Fujitsu Limited in the United States and other countries. Windows is a trademark or registered trademark of Microsoft Corporation in the United States and other countries. Intel is a trademark or registered trademark of Intel Corporation in the United States and other countries. The terms HDMI and HDMI High-Definition Multimedia Interface, and the HDMI Logo are trademarks or registered trademarks of HDMI Licensing, LLC in the United States and other countries. All other trademarks referenced herein are the property of their respective owners.

The statements provided herein are for informational purposes only and may be amended or altered by Fujitsu America, Inc. without notice or liability. Product description data represents Fujitsu design objectives and is provided for comparative purposes; actual results may vary based on a variety of factors. Specifications are subject to change without notice.

Fujitsu America, Inc. has made every effort to ensure the accuracy and completeness of this document. However, as ongoing development efforts are continually improving the capabilities of our products, we cannot guarantee the accuracy of the contents of this document. We disclaim liability for errors, omissions or future changes.

Copyright© 2017 Fujitsu America, Inc.
All rights reserved.

Website: www.fujitsu.com/us

No part of this publication may be copied, reproduced or translated, without the prior written consent of Fujitsu. No part of this publication may be stored or transmitted in any electronic form without the written consent of Fujitsu.





IMPORTANT SAFETY INSTRUCTIONS

1. Read these instructions carefully. Save these instructions for future reference.
2. Follow all warnings and instructions marked on the product.
3. Unplug this product from the wall outlet before cleaning. Do not use liquid cleaners or aerosol cleaners. Use a damp cloth for cleaning.
4. Do not use this product near water.
5. Do not place this product on an unstable cart, stand or table. The product may drop, causing serious damage to the product.
6. Slots and openings in the cabinet and the back or bottom are provided for ventilation; to ensure reliable operation of the product and to protect it from overheating, these openings must not be blocked or covered. The openings should never be blocked by placing the product on a bed, sofa, rug or other similar surface. This product should never be placed near or over a radiator or heat register or in a built-in installation unless proper ventilation is provided.
7. This product should be operated from the type of power indicated on the marking label. If you are not sure of the type of power available, consult your dealer or local power company.
8. Do not allow anything to rest on the power cord. Do not locate this product where persons will walk on the cord.
9. If an extension cord is used with this product, make sure that the total ampere rating of the equipment plugged into the extension cord does not exceed the extension cord ampere rating. Also make sure that the total rating of all products plugged into the wall outlet does not exceed 15 amperes.
10. Never push objects of any kind into this product through cabinet slots as they may touch dangerous voltage points that could result in a fire or electric shock. Never spill liquid of any kind on the product.
11. Do not attempt to service this product yourself, as opening or removing covers may expose you to dangerous voltage points or other risks. Refer all servicing to qualified service personnel.
12. Unplug this product from the wall outlet and refer servicing to qualified service personnel under the following conditions:
 - a. When the power cord or plug is damaged or frayed.
 - b. If liquid has been spilled into the product.
 - c. If the product has been exposed to rain or water.
 - d. If the product does not operate normally when the operating instructions are followed. Adjust only those controls that are covered by the operating instructions since improper adjustment of other controls may result in damage and will often require extensive work by a qualified technician to restore the product to normal condition.
 - e. If the product has been dropped or the cabinet has been damaged.
 - f. If the product exhibits a distinct change in performance, indicating a need for service.

13. **CAUTION: When replacing the battery, be sure to install it with the polarities in the correct position. There is a danger of explosion if the battery is replaced with an incorrect type or is mistreated. Do not recharge, disassemble or dispose of in fire. Replace only with the same or equivalent type recommended by the manufacturer. Dispose of the used battery according to the manufacturer's instructions.**

14. Use only the proper type of power cord set (provided in the accessories box) for this unit. It should be detachable type and with respective certification. Maximum length is 15 feet (4.6 meters).

Declarations of conformity



DECLARATION OF CONFORMITY

according to FCC Part 15

Responsible Party Name: Fujitsu America, Inc.
Address: 1250 E. Arques Avenue
Sunnyvale, CA 94085
Telephone: (408) 746-6000
Declares that product: Base Model Configuration: STYLISTIC Q507 Tablet PC
Complies with Part 15 of the FCC Rules.

This device complies with Part 15 of the FCC rules. Operations are subject to the following two conditions: (1) This device may not cause harmful interference. (2) This device must accept any interference received, including interference that may cause undesired operation.

 **CAUTION**

- Changes or modifications not expressly approved by Fujitsu could void this user's authority to operate the equipment.

FCC NOTICES

Notice to Users of Radios and Television

These limits are designed to provide reasonable protection against harmful interference in a residential installation. This equipment generates, uses, and can radiate radio frequency energy and, if not installed and used in accordance with the instructions, may cause harmful interference to radio communications. However, there is no guarantee that interference will not occur in a particular installation. If this equipment does cause harmful interference to radio or television reception, which can be determined by turning the equipment off and on, the user is encouraged to try to correct the interference by one or more of the following measures:

- Reorient or relocate the receiving antenna.
- Increase the separation between the equipment and receiver.
- Connect the equipment into an outlet that is on a different circuit than the receiver.
- Consult the dealer or an experienced radio/TV technician for help.

Shielded interconnect cables must be employed with this equipment to ensure compliance with the pertinent RF emission limits governing this device.

This equipment may not be used on a telephone provided by your telephone company. Connection to party lines is subject to state tariffs. Contact your state's public utility commission, public service commission or corporation commission for more information.

This equipment includes automatic dialing capability. When programming and/or making test calls to emergency numbers:

- Remain on the line and briefly explain to the dispatcher the reason for the call.
- Perform such activities in off-peak hours, such as early morning or late evening.

FCC rules prohibit the use of non-hearing aid compatible telephones in the following locations or applications:

- All public or semipublic coin-operated or credit card telephones.
- Elevators, highways, tunnels (automobile, subway, railroad or pedestrian) where a person with impaired hearing might be isolated in an emergency.
- Places where telephones are specifically installed to alert emergency authorities such as fire, police or medical assistance personnel.
- Hospital rooms, residential health care facilities, convalescent homes and prisons.
- Workstations for the hearing impaired.
- Hotel, motel or apartment lobbies.
- Stores where telephones are used by patrons to order merchandise.
- Public transportation terminals where telephones are used to call taxis or to reserve lodging or rental cars.
- In hotel and motel rooms as at least ten percent of the rooms must contain hearing aid compatible telephones or jacks for plug-in hearing aid compatible telephones which will be provided to hearing impaired customers on request.

 **CAUTION**

- For safety, users should ensure that the electrical ground of the power utility, the telephone lines and the metallic water pipes are connected together. Users should NOT attempt to make such connections themselves but should contact the appropriate electric inspection authority or electrician. This may be particularly important in rural areas.

UL Notice

This unit requires an AC adapter to operate. Use only UL Listed I.T.E. adapters with an output rating of 12 VDC, with a minimum current of 3A (36W). Refer to the illustration below for the correct AC Adapter output polarity:

 **CAUTION**

- Hazardous optical radiation may be emitted from the camera flash. Do not operate the flash within 11 in. (284mm) of a person.

For Authorized Repair Technicians Only **CAUTION**

- For continued protection against risk of fire, replace only with the same type and rating fuse.

 **WARNING**

- Danger of explosion if Lithium Ion battery is incorrectly replaced. Replace only with the same or equivalent type recommended by the manufacturer. Dispose of used batteries according to the manufacturer's instruction.

Proper Disposal of Battery

Under federal, state or local law, it may be illegal to dispose of batteries by putting them in the rubbish bins or trash cans. Please take care of our environment and dispose of batteries properly for details regarding recycling or disposing of unwanted batteries.

Operating Temperature 41F° to 95°F (-10°C to 60° C)

NOTE ON USE REQUIRED HIGH SAFETY

Notice to Users of Radios and Television

This product is designed and manufactured for general use, household use and ordinary industrial use.

This product is not designed for or intended for use under dangerous conditions, unless extreme safety precautions are implemented.

Do not use this product without implementing high-level safety precautions.

Failure to follow this warning may result in death, personal injury, severe physical damage or other loss, if used in or near any or more of the following:

- nuclear reaction control system in a nuclear facility
- automatic flight control system in an airplane or other flight control system
- mass transport control system
- medical instruments for life support system
- missile launching control for weapon system

NOTE ON BACKUP DATA

Please make a backup of the Operating System, any software programs, and created files (and update regularly).

If you send this product to Fujitsu, or any of its affiliates, suppliers, service providers or resellers for repair, Fujitsu does not guarantee the data integrity. It is your responsibility to back data up beforehand.

Fujitsu does not assume any obligation for compensation for damages, data integrity, or restoration, etc., if your data is lost for any reason, except as written in the warranty.

Table of Contents

1		
PREFACE		
About the Guide.....	2	
2		
GETTING TO KNOW YOUR STYLISTIC		
Locating the Controls and Connectors		
Top and Side Panel Components	4	
Bottom and Side Panel Components	5	
Right Side Panel Components	6	
Left Side Panel Components	7	
Running the Tablet PC on its Battery		
Recharging the Battery.....	8	
Running the Tablet on its Battery.....	9	
Low Battery Condition.....	10	
Using the Stylus Pen		
Setting the Pen	12	
Using the Integrated Digitizer	13	
3		
USING YOUR STYLISTIC		
Power Sources		
Connecting the AC Adapter	15	
Starting Your Tablet PC		
Power On	16	
Boot Sequence	16	
Warranty Registering for Your Fujitsu STYLISTIC Q507.....	16	
Power Management		
Power/Suspend/Resume Button	17	
Suspend Mode	17	
Hibernation (Save-To-Disk) Feature	18	
Windows® Power Management	19	
Power Off	19	
4		
TROUBLESHOOTING		
WLAN Specifications		
Troubleshooting		
WLAN Specifications		
Identifying the Problem	21	
WLAN Specifications	22	
5		
FCC and IC Regulatory Information		
FCC and IC Regulatory Information		
FCC and IC Regulatory Information	24	
Export Restrictions.....	25	
Canada, Industry Canada (IC) Regulatory Information.....	27	
Bluetooth Regulatory Information.....	28	



Preface

Preface

About This Guide

The Fujitsu STYLISTIC Q507 from Fujitsu is a powerful convertible Tablet PC computer. It can be used either as a standard Tablet PC using keyboard input, or in tablet configuration using pen input. It is powered by an Intel® microprocessor, has a built-in color touch screen display for a portable and versatile environment.

Your Fujitsu STYLISTIC Q507 is a completely self contained unit with an active-matrix(TFT), touchscreen color LCD display. It has a powerful interface that enables it to support a variety of optional features.

Conventions used in the Guide

Keyboard keys appear in brackets.

Example: [Fn], [F1], [Esc], [Enter] and [Ctrl].

Pages with additional information about a specific topic are cross-referenced within the text.

Example:(See page xx.)

On screen buttons or menu items appear bold.

Example: click **OK** to restart your STYLISTIC.

DOS commands you enter appear in Courier type.

Example: Shut down the computer?



POINT

The point icon highlights information that will enhance your understanding of the subject material.



CAUTION

The caution icon highlights information that is important for the safe operation of your computer, or for the integrity of your files. Please read all caution information carefully.



WARNING

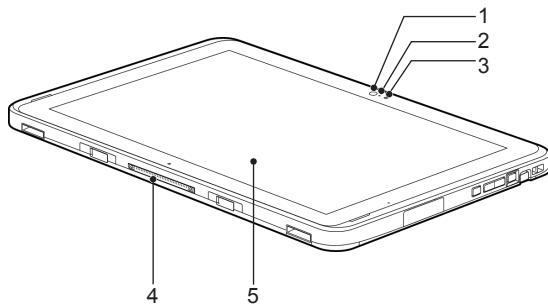
The warning icon highlights information that can be hazardous to either you, your computer, or your files. Please read all warning information carefully.



2

**Getting to Know Your
STYLISTIC**

Locating the Controls and Connectors

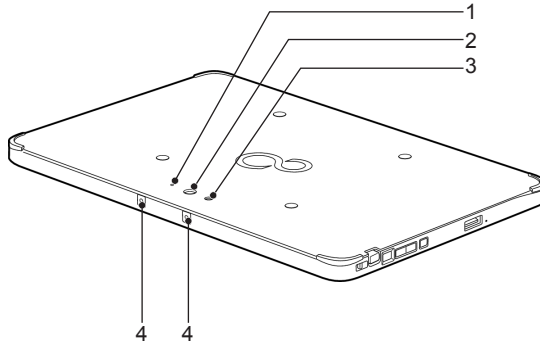


(This picture is for illustration purpose only and may look different from the actual unit)

Top and Left Side Panel Components

The following is a brief description of the top and side features of the Fujitsu STYLISTIC Q507.

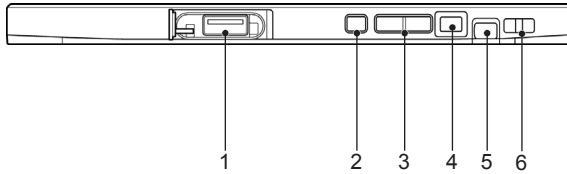
1. **Ambient Light Sensor**
2. **Webcam Status LED**
3. **Webcam Camera**
4. **Docking Connector**
5. **LCD Display**



(This picture is for illustration purpose only and may look different from the actual unit)

Bottom and Side Panel Components

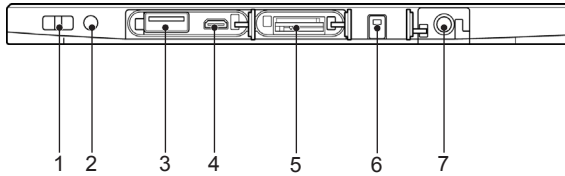
- 1. Rear Webcam LED**
- 2. Rear Webcam Status LED**
- 3. Rear Webcam**
- 4. Built-in microphone**



(This picture is for illustration purpose only and may look different from the actual unit)

Right Side Panel Components

1. **USB 3.0 Port**
2. **Shortcut Button**
3. **Volume Down and Up**
4. **Power Button**
5. **Pen/Pen Garage**
6. **Pen Tether Hole**



(This picture is for illustration purpose only and may look different from the actual unit)

Left Side Panel Components

- | | |
|---------------------|---------------------------------|
| 1. Pen Tether Hole | 5. Micro SD, Nano SIM Card Slot |
| 2. Audio Combo Jack | 6. Battery Charging LED |
| 3. USB 3.0 Port | 7. DC-in |
| 4. Micro HDMI | |

Running the Tablet PC on its Battery

Recharging the battery

Connect the AC adapter to your Tablet PC. The moment you connect the AC adapter to your Tablet PC, the Tablet PC will begin to charge the internal standard battery. The Indicator LED will turn on.

POINT

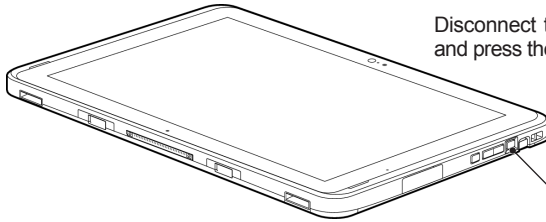
- Before using the supplied battery for the very first time after purchase, remember to charge it fully. If a charged battery has not been charged for more than a month, charge it fully before using it.
- When the battery is fully charged, the Status Indicators turn off.

POINT

- When the battery is 90% or more charged, it cannot be recharged even if the AC adapter is connected. The battery can be recharged when its power level (i.e. remaining battery life) is 89% or less.
- When a Tablet PC is turned off, all indicators on the status LED go off immediately if the battery is completely charged.
 - The chargeability of the battery degrades when it is used in extremely hot or cold conditions.
- When the battery is very hot, for example immediately after long usage of the Tablet PC, the battery protection feature may be activated to prevent the battery from being recharged. When the temperature decreases, the Tablet PC automatically begins to charge the battery. When an optional modular bay battery is installed, it is charged along with the internal standard battery.

Running the Tablet PC on its Battery

This section describes the steps to run the Tablet PC on its internal standard battery.



Disconnect the AC adapter from your Tablet PC and press the power button.

Power Button

POINT

- The power level of the battery decreases faster when it is used in cold conditions.
- The chargeability of the battery decreases after it has been used over a long period of time. If the battery runs down very fast, replace it with a new battery.

POINT

- When the battery is 90% or more charged, it cannot be recharged. The battery can be recharged when its remaining power is 89% or less.

Low Battery Condition

When the battery is discharged to a very low level, connect the AC adapter to your Tablet PC immediately to recharge the battery.

POINT

- The use of a weak battery may result in loss of data you are currently working on. When the battery runs low, connect the AC adapter to your Tablet PC as soon as an external power source is available or immediately save the data you are working on, exit all applications and turn off the Tablet PC.
- Accessing data on the hard disk consumes a lot of power. Therefore when the battery is weak, connect an AC adapter to the Tablet PC before accessing data on the hard disk.
- If a battery is weak and there is no system activity, the Tablet PC may go into standby(i.e. suspend) mode. However, if there is system activity, the Tablet PC will go into standby mode only after the system activity has completed its processing.
- The Tablet PC will go into standby mode when the power indicator reaches 3%. This is the default setting of the Tablet PC.

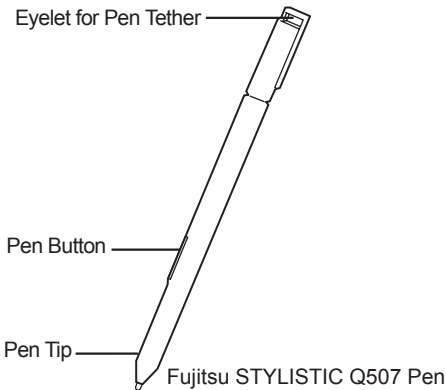
Using the Stylus Pen*

You can use the pen on your Tablet PC as an electronic writing implement to select items and to navigate through menu options and programs. Programs that support handwriting recognition also allow you to write directly on the screen with the pen. You can also use the pen as a drawing tool.

The Tablet PC pen is retained securely in the pen garage. This ensures that the pen cannot be lost, regardless of whether you use the Tablet PC as a tablet or while traveling. Always replace the pen in its garage when you are not using it.

The Tablet PC is supplied with a pen cord which you can attach to the eyelets on the pen and on the Tablet PC.

* Only specific STYLISTIC Q507 can support a stylus pen



! WARNING

- Only use the pen provided with your Tablet PC. Do not use substitute pen tips that were not specially designed for your Tablet PC. Replace the stylus tip if it is worn. The warranty does not cover a scratched screen.
- While writing, you should take care not to scratch the surface of the display. (e.g. with a wrist watch or bracelet.)

✋ IMPORTANT

The pen of your Tablet PC is an electronic instrument which can be damaged if used incorrectly. Handle the pen with care. The following list contains guidelines for proper pen handling:

- Do not gesture with the pen.
- Do not use the pen as a pointer.
- Never use the pen on any other surface than the screen of your Tablet PC.
- Do not try to turn the thumb grip on the pen. The thumb grip is used to place the pen in its slot and to take it out of the slot.
- When you're not using the pen, only store it in the pen garage.
- Don't store it in anyway that the pen tip has weight bearing down on it. Don't stick it down into the pen holder inside your briefcase or backpack, pocket protector, etc, where the pen tip might be shoved against the bottom of the holder and be constantly pressed because that can cause damage.
- Don't store it in any kind of vertical up/ down position that could allow weight to be placed on the tip.

The pen can be influenced by electromagnetic fields(cursor quivers or jumps). There may be a few areas on the screen where the cursor quivers slightly in spite of pressing the pen down firmly.

The screen responds to entries made with the tip of the finger or the pen when in direct contact with the screen.

You can use the pen to perform all the functions for which you would otherwise use a mouse. In addition, you can conveniently delete handwritten pen entries using the pen.

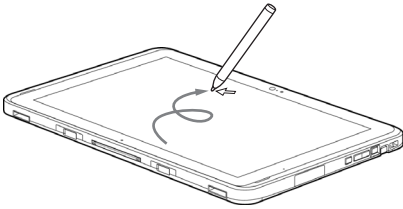
The pen does not support an erasing function.

Setting the Pen

Handling	Mouse	Pen
Open menu entries	Click with the right mouse button.	Push the Pen button.
Selecting menu entries	Click with the left mouse button.	Touch the menu entry with the pen tip.
Starting programs	Double click with the left mouse button.	Briefly touch the program icon twice with the pen tip.
Moving objects/windows	Drag with the left mouse button pressed and held.	Place the pen tip directly on the object/window. Press and hold the pen tip against the screen. Move the desired object/window.
Opening a context menu	Click with the right mouse button.	Touch the desired element with the pen and leave the pen on the element for a moment.
Moving the cursor	-	Hover the pen tip over the screen.

Using the Integrated Digitizer

The integrated Digitizer allows you to use the included pen as a pointing device. You can use the pen to click, double-click, drag items and icons, or to draw like a pen or pencil in applications that support this behavior, such as drawing or painting programs. See the documentation that came with your application for details.



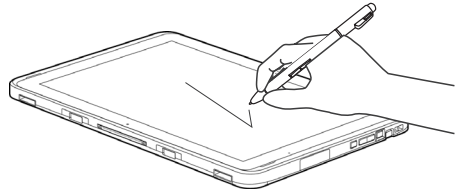
Using the pen with the screen

CAUTION

To avoid potential scratching and damage, never use anything but the included pen with the display.

Clicking

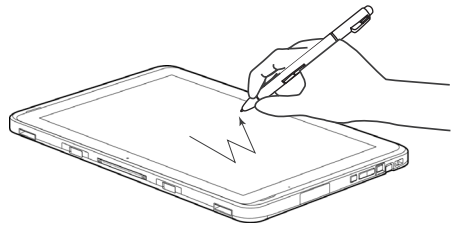
To left-click, touch the object you wish to select and then lift the pen tip immediately.



To right-click, press the pen button on the barrel or touch the pen to the screen for a couple of seconds until the right mouse icon appears at the tip.

Double-clicking

To double-click, touch the item twice, and then immediately remove the pen tip from the screen.



Double-clicking the screen

POINT

- If the interval between taps is too long, the double-click will not be executed.
- Parameters for the Touch Screen can be adjusted from the Mouse Properties dialog box located in the Windows Control Panel.

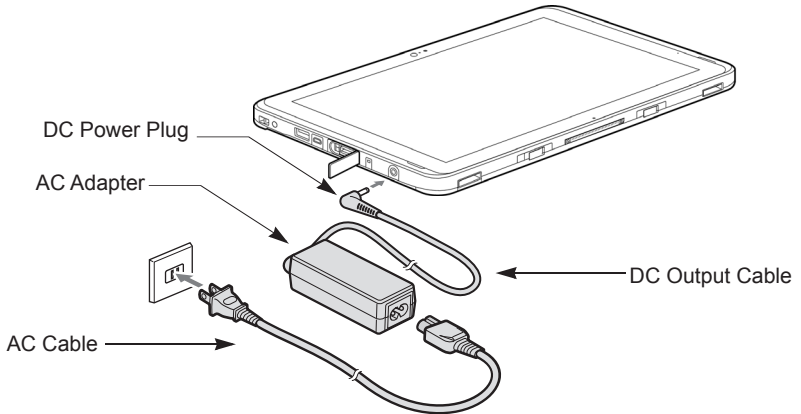


3
**Using Your
STYLISTIC**



Power Sources

Your Fujitsu STYLISTIC Q507 has two possible power sources: a primary Lithium ion battery and an AC adapter.



Connecting the AC Adapter

Connecting the AC Adapter

The AC adapter provides power for operating your Tablet PC and charging the batteries.

Connecting the AC Adapter

1. Plug the DC output cable into the DC-in on your Tablet PC.
2. Plug the AC adapter into an AC electrical outlet. (Above Figure)

Switching from AC Adapter Power to Battery Power

1. Be sure that you have a charged battery installed.
2. Remove the AC adapter.



POINT

The Lithium ion battery is not charged upon purchase. Initially, you will need to connect the AC adapter to use your Tablet PC.

Starting Your Tablet PC

Power On

The Power/Suspend/Resume button is used to turn on your Fujitsu STYLISTIC Q507 from its off state. Once you have connected your AC adapter or charged the internal Lithium Ion Battery, you can power on your Tablet PC.



POINT

When you turn on your Tablet PC be sure you have a power source. This means that a battery is installed and charged, or that the AC adapter is connected and has power.

Press the Power/Suspend/Resume button to start your system. When you are done working you can either leave your Tablet PC in Standby mode, or you can turn it off.



CAUTION

When the system display is closed, the Suspend/Resume button is disabled. This feature prevents the system from being accidentally powered up when not in use.

When you Power On your Tablet PC, it will perform a Power On Self Test (POST) to check the internal parts and configuration for correct functionality. If a fault is found, your Tablet PC will emit an audio warning and/or an error message will be displayed. Depending on the nature of the problem, you may be able to continue by starting the operating system or by entering the BIOS setup utility and revising the settings.

After satisfactory completion of the Power On Self Test (POST), your Tablet PC will load your operating system.



POINT

Never turn off your Tablet PC during the Power On Self Test (POST) or it will cause an error message to be displayed when you turn your Tablet PC on the next time.

Boot Sequence

The procedure for starting-up your Tablet PC is termed the Bootup sequence and involves your Tablet PC's BIOS. When your Tablet PC is first turned on, the main system memory is empty, and it needs to find instructions to start up your Tablet PC. This information is in the BIOS program. Each time you power up or restart your Tablet PC, it goes through a boot sequence which displays a Fujitsu logo until your operating system is loaded. During booting, your Tablet PC is performing a standard boot sequence including a Power On Self Test (POST). When the boot sequence is completed without a failure and without a request for the BIOS Setup Utility, the system displays the operating system's opening screen.

The boot sequence is executed when:

- You turn on the power to your Tablet PC.
- You restart your Tablet PC from the Windows Shut Down Dialog box.
- The software initiates a system restart. Example: When you install a new application.
- You reset the system by pressing the three keys [Ctrl+Alt+Del].

Warranty Registering for Your Fujitsu STYLISTIC Q507

How do I register?

You can register your STYLISTIC by going to our website:

<http://solutions.us.fujitsu.com/www/content/support/>.

This helps us to better serve you.

Power Management

Your Fujitsu STYLISTIC has many options and features for conserving battery power. Some of these features are automatic and need no user intervention, such as those for the internal modem. However, others depend on the parameters you set to best suit your operating conditions, such as those for the display brightness. Internal power management for your Tablet PC may be controlled from settings made in your operating system, pre-bundled power management application, or from settings made in BIOS setup utility.

Besides the options available for conserving battery power, there are also some things that you can do to prevent your battery from quickly running down. For example you can create an appropriate power saving profile, put your Tablet PC into Suspend mode when it is not performing an operation and you can limit the use of high power devices. As with all mobile, battery powered computers, there is a trade-off between performance and power savings.

Power/Suspend/Resume Button

When your STYLISTIC is active, the Power/Suspend/Resume button can be used to manually place your Tablet PC into Suspend mode. Push the Power/Suspend/Resume button when your Tablet PC is active, but not actively accessing anything, and immediately release the button. You will hear two short beeps* and your system will enter Suspend mode.

If your STYLISTIC is suspended, pushing the Power/Suspend/Resume button returns your Tablet PC to active operation. You can tell whether the system is suspended by looking at the Power indicator. If the indicator is visible and not flashing, your Tablet PC is fully operational. If the indicator is visible and flashing, your notebook is in Suspend mode. If the indicator is not visible, the power is off or your Tablet PC is in Hibernation mode. (See *Hibernation Feature*)

* Only applicable for some models

Suspend Mode

Suspend or Standby mode in Windows saves the contents of your STYLISTIC system memory during periods of inactivity by maintaining power to critical parts. This mode will turn off the CPU, the display, the hard drive, and all of the other internal components except those necessary to maintain system memory and allow for restarting. Your Tablet PC can be put in Suspend mode by:

- Pressing the Power/Suspend/Resume button when your system is turned on.
- Selecting Standby from the Windows Shut Down menu.
- Timing out from lack of activity.
- Allowing the battery to reach the Dead Battery warning condition.

Your STYLISTIC system memory typically stores the file which you are working on, open application information, and any other data required to support operation from Suspend mode, your Tablet PC will return to the point where it left off. You must press the Power/Suspend/Resume button to resume operation, and there must be as adequate power source available, or your Tablet PC will not resume.



POINT

- If you are running your STYLISTIC in battery power, be aware that the battery continues to discharge while your Tablet PC is in Suspend mode, though not as fast as when fully operational.
- Disabling the Power/Suspend/Resume button prevents it from being used to put your STYLISTIC in Suspend or Hibernation (Save-to Disk) mode. The resume function of the button cannot be disabled.
- The suspend or hibernation(Save-to-Disk) mode should not be used with certain PC cards. Check your PC Card documentation for more information. When PC Cards or external devices are in use, Hibernation(Save-to-Disk) mode cannot return to the exact state prior to suspension, because all of the peripheral devices will be re-initialized when the system restarts.
- If your STYLISTIC is actively accessing information when you enter the Suspend or Hibernate (Save-to Disk) mode, changes to open files are not lost. The files are left open and memory is kept active during Suspend mode or the memory is transferred to the internal hard drive during hibernation mode.
- The main advantage of using the Hibernation(Save-to-Disk) function is that power is not required to maintain your data. This is particularly important if you will be leaving your STYLISTIC in a suspended state for a prolonged period of time. The drawback of using Hibernation mode is that it lengthens the power down and power up sequences and resets peripheral devices.

Hibernation (Save-To-Disk) Feature

The Hibernation feature saves the contents of your STYLISTIC system memory to the hard drive as a part of the Suspend/Resume mode. You can enable or disable this feature.

Enable or Disable the Hibernation Feature

Windows 10:

1. Go to **Control Panel**.
2. Select "**System and Security**" and then select "**Power Options**".
3. Select "**Change what the power button does**", and click "**Change settings that are currently unavailable**".
4. Under "**Shutdown Setting**", select the Hibernate tab. Select the box to enable or disable this feature and click "**Save changes**" to apply.

Windows Power Management

The Power Options icon located in the Windows Control Panel allows you to configure some of the power management settings. For example, you can use the Power Options to set the timeout values for turning off the display and hard disks whether you are running the Tablet PC on battery power or the AC adapter.

Restarting the System

If your system is on and you need to restart it, be sure that you use the following procedure.

Windows 10

1. Click the Windows icon
2. Click **Power**, and select **Restarting** from the list.



IMPORTANT

Turning off your STYLISTIC without exiting Windows or turning on your Tablet PC within 10 seconds of the Tablet PC being shut off may cause an error when you start the next time.

Power Off

Before turning off power, check that the hard drive/optical drive access indicator is off. If you turn off the power while accessing a disk there is a risk of data loss. To ensure that your Tablet PC shuts down without error, use the Windows shut down procedure.



CAUTION

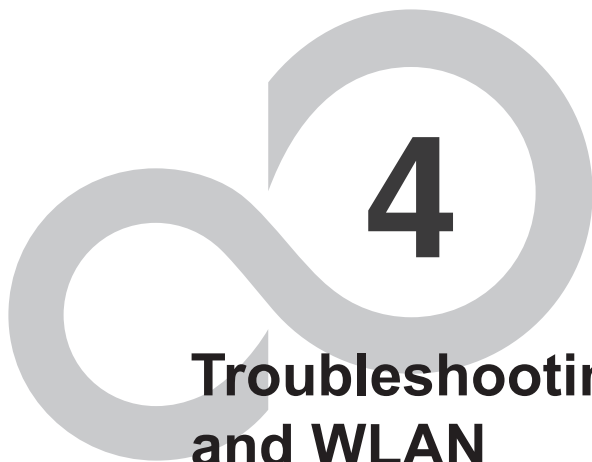
Be sure to close all files, exit all applications, and shut down your operating system prior to turning off the power. If files are open when you turn the power off, you will lose any changes that have not been saved, and may cause disk errors.

Using the correct procedure to shut down from Windows allows your Tablet PC to complete its operations and turn off power in the proper sequence to avoid errors. The proper sequence is:

Windows 10

1. Click the Windows icon
2. Click **Power**, and select **Shut down** from the list.

If you are going to store your Tablet PC for a month or more, see Care and Maintenance Section.



**Troubleshooting
and WLAN
Specifications**



Troubleshooting

Your Fujitsu STYLISTIC Q507 is sturdy and subject to few problems in the field. However, you may encounter simple setup or operating problems that you can solve on the spot, or problems with peripheral devices, that you can solve by replacing the device. The information in this section helps you isolate and resolve some of these straightforward problems and identify failures that require service.

Identifying the Problem

If you encounter a problem that you are having difficulty in solving, go through the following procedure before pursuing further troubleshooting.

1. Turn off your Tablet PC.
2. Make sure the AC adapter is plugged into your Tablet PC and to an active AC power source.
3. Make sure that any card installed in the PC Card slot is seated properly. You can also remove the card from that slot, thus eliminating it as a possible cause of failure.
4. Make sure that any devices connected to the external connectors are plugged in properly. You can also disconnect such devices, thus eliminating them as possible causes of failure.
5. Turn on your Tablet PC. Make sure it has been off at least 10 seconds before you turn it on.
6. Go through the boot sequence.

Before you place the call, you should have the following information ready so that the customer support representative can provide you with the fastest possible solution:

- Product name
- Product configuration number
- Product serial number
- Purchase date
- Conditions under which the problem occurred
- Any error messages that have occurred
- Hardware configuration
- Type of device connected, if any

See the Configuration Label on the bottom of your Tablet PC for configuration and serial number.



POINT

- If you keep notes about what you have tried, your support representative may be able to help you more quickly by giving additional suggestions over the phone.
- Do not return a failed Tablet PC to your supplier until you have talked to a support representative.

Type of network	Intel® Dual Band Wireless-AC 7265 2x2 ac/a/b/g/b/n with integrated Bluetooth 4.1
Transfer rate	(Automatic switching) IEEE802.11 a and g: 54 Mbps max. data rate; IEEE802.11n: 300 Mbps max. data rate, IEEE802.11ac: 867 Mbps max. data rate
Active frequency	<ul style="list-style-type: none">• 802.11n: 2.4 GHz or 5 GHz• 802.11b/g: 2,400~2,483.5 MHz• 802.11a. 5150~5850 MHz• 802.11ac: 2.4 GHz / 5 GHz



**FCC and IC
Regulatory
Information**

FCC and IC Regulatory Information



Please note the following regulatory information related to the wireless LAN device.

Regulatory Notes and Statements

Wireless LAN, Health and Authorization for use

Radio frequency electromagnetic energy is emitted from Wireless LAN devices. The energy levels of these emissions, however, are far much less than the electromagnetic energy emissions from wireless devices such as mobile phones. Wireless LAN devices are safe for use by consumers because they operate within the guidelines found in radio frequency safety standards and recommendations. The use of Wireless LAN devices may be restricted in some situations or environments, such as:

- On board an airplane, or
- In an explosive environment, or
- In situations where the interference risk to other devices or services is perceived or identified as harmful.

In cases in which the policy regarding use of Wireless LAN devices in specific environments is not clear (e.g., airports, hospitals, chemical/oil/gas industrial plants, private buildings), obtain authorization to use these devices prior to operating the equipment.

Regulatory Information/Disclaimers

Installation and use of this Wireless LAN device must be in strict accordance with the instructions included in the user documentation provided with the product. Any changes or modifications made to this device that are not expressly approved by the manufacturer may void the user's authority to operate the equipment. The manufacturer is not responsible for any radio or television interference caused by unauthorized modification of this device, or the substitution or attachment of connecting cables and equipment other than those specified by the manufacturer. It is the responsibility of the user to correct any interference caused by such unauthorized modification, substitution or attachment. The manufacturer and its authorized resellers or distributors will assume no liability for any damage or violation of government regulations arising from failure to comply with these guidelines.

This device must not be co-located or operated in conjunction with any other antenna or transmitter.

Federal Communications Commission and Industry Canada statement:

This device complies with Part 15 of FCC Rules and Industry Canada license exempt RSS standard(s).

Operation is subject to the following two conditions: (1) This device may not cause interference, and, (2) This device must accept any interference, including interference that may cause undesired operation of this device.

Déclaration d'Industrie Canada

Cet appareil est conforme à la Section 15 des Règles de la FCC et à la (aux) norme(s) RSS concernant les appareils exempts de licence par Industrie Canada. Son fonctionnement est soumis aux deux conditions suivantes : (1) cet appareil ne doit pas causer d'interférence nuisible; (2) cet appareil doit accepter toutes les interférences reçues, y compris celles pouvant causer un mauvais fonctionnement de l'appareil.

FCC Interference Statement

This equipment has been tested and found to comply with the limits for a Class B digital device, pursuant to Part 15 of the FCC Rules. These limits are designed to provide reasonable protection against harmful interference in a residential installation. This equipment generates, uses, and can radiate radio frequency energy. If not installed and used in accordance with the instructions, it may cause harmful interference to radio communications. However, there is no guarantee that interference will not occur in a particular installation.

If this equipment does cause harmful interference to radio or television reception, which can be determined by turning the equipment off and on, the user is encouraged to try and correct the interference by one or more of the following measures:

1. Reorient or relocate the receiving antenna.
2. Increase the distance between the equipment and the receiver.
3. Connect the equipment to an outlet on a circuit different from the one the receiver is connected to.
4. Consult the dealer or an experienced radio/TV technician for help.

FCC Radio Frequency Exposure statement

The available scientific evidence does not show that any health problems are associated with using low power wireless devices. There is no proof, however, that these low power wireless devices are absolutely safe. Low power wireless devices emit low levels of radio frequency energy (RF) in the microwave range while being used. Whereas high levels of RF can produce health effects (by heating tissue), exposure to low-level RF that does not produce heating effects causes no known adverse health effects. Many studies of low-level RF exposure have not found any biological effects. Some studies have suggested that some biological effects might occur, but such findings have not been confirmed by additional research.

The exposure standard for wireless devices employs a unit of measurement known as the Specific Absorption Rate, or SAR. The SAR limit set by the FCC is 1.6W/kg, and 1.6W/kg by Industry Canada.

This device is compliant with SAR for general population /uncontrolled exposure limits in ANSI/IEEE C95.1-1992 and Canada RSS 102, and had been tested in accordance with the measurement methods and procedures specified in ANSI/IEEE C95.1-1992, and Canada RSS 102. This device has been tested, and meets the FCC, IC RF exposure guidelines when tested with the device operating conditions.

Déclaration de la FCC/d'Industrie Canada sur l'exposition aux radiofréquences

La norme régissant l'exposition des appareils sans fil aux radiofréquences emploie une unité de mesure dénommée Taux d'absorption spécifique, ou TAS. La FCC et Industrie Canada ont défini la même limite de TAS : 1,6 W/kg. Cet appareil est conforme au TAS pour les limites d'exposition générales de la population/non contrôlées définies par les règles C95.1-1992 de l'ANSI/IEEE et RSS 102 d'Industrie Canada ; il a été testé en conformité avec les méthodes et procédures de mesure spécifiées dans l'ANSI/IEEE C95.1-1992 (O d'ingénierie et de technologie) et la règle RSS 102 d'Industrie Canada. Cet appareil a été testé selon les directives de la FCC et d'IC concernant l'exposition aux radiofréquences et s'est révélé conforme à ces dernières lorsqu'il a été testé en contact direct avec le corps.

Export restrictions

This product or software contains encryption code which may not be exported or transferred from the US or Canada without an approved US Department of Commerce export license. This device complies with Part 15 of FCC Rules., as well as ICES 003 B / NMB 003 B. Operation is subject to the following two conditions: (1) this device may not cause harmful interference, and (2) this device must accept any interference received, including interference that may cause undesirable operation. Modifications not expressly authorized by Fujitsu America, Inc. may invalidate the user's right to operate this equipment.

Restrictions concernant l'exportation

Ce produit ou logiciel contient du code de chiffrement qui ne peut être exporté ou transféré du Canada ou des États-Unis sans un permis d'exportation du département du commerce des États-Unis. Ce matériel est conforme à la Partie 15 des règlements de la FCC, ainsi qu'à la norme ICES 003 B/NMB 003 B. Son fonctionnement est soumis aux deux conditions suivantes : (1) cet appareil ne doit pas causer d'interférence nuisible; (2) cet appareil doit accepter toutes les interférences reçues, y compris celles pouvant causer un mauvais fonctionnement de l'appareil. Toute modification n'ayant pas été expressément approuvée par la société Fujitsu America Incorporated peut annuler le droit de l'utilisateur de se servir du matériel.

Canadian Notice

The device for the 5150 - 5250 MHz band is only for indoor usage to reduce the potential for harmful interference to co-channel mobile satellite systems.

In addition, users are cautioned to take note that high power radars are allocated as primary users (meaning they have priority) of 5250 - 5350 MHz and 5650 - 5850 MHz and these radars could cause interference and/or damage to LE-LAN devices.

Avis pour le Canada

Le périphérique pour la bande 5150 - 5250 MHz est uniquement destiné à une utilisation à l'intérieur de l'intérieur afin de réduire le risque d'interférences nuisibles aux systèmes de satellites mobiles co-canaux.

Un gain d'antenne de 6 dBi est autorisé (pour le matériel utilisant les bandes 5 250 - 5 350 MHz, 5 470 - 5 725 MHz et 5 725 - 5 825 MHz), conformément à la limite p.i.r.e. maximale permise selon l'annexe A9.2 afférent aux périphériques RSS210.

En outre, les utilisateurs doivent prendre garde au fait que les radars de grande puissance sont considérés comme des utilisateurs principaux (ce qui signifie qu'ils sont prioritaires) des bandes 5 250 - 5 350 MHz et 5 650 - 5 850 MHz et qu'ils pourraient causer des interférences et/ou des dommages aux appareils de réseau exempts de licence.

Using the Bluetooth Device

Bluetooth is integrated into the Wireless LAN module. The Bluetooth capabilities are Bluetooth Basic, EDR and Bluetooth Low Energy (BT v4.0) operational modes.

What is Bluetooth

Bluetooth technology is designed as a short-range wireless link between mobile devices, such as laptop computers, phones, printers, and cameras. Bluetooth technology is used to create Personal Area Networks (PANs) between devices in short-range of each other.



Proceed as follows to individually enable or disable wireless LAN or Bluetooth devices:

1. Switch on the WLAN/Bluetooth via the key combination **Fn + F5**.
2. In the screen *Modern Start*, select the option *Charms > Settings > Change PC Settings > Wireless*.
3. Under *Wireless > Wireless Devices*, click on the switch *Bluetooth* to switch on Bluetooth.

Where to Find Information About Bluetooth

For additional information about Bluetooth Technology, visit the Bluetooth Web site at: "www.bluetooth.com".

FCC Radiation Exposure Statement

This system complies with the FCC limit values for radio frequency radiation in an uncontrolled environment. The Bluetooth antenna is located at the top edge of the LCD screen and is exempt from the criteria for minimum distance because of its low power consumption.

The transmitter used in this system must not be operated together with other antennas or transmitters.

Canadian Notice

To prevent radio interference to licensed services, this system is designed for use in indoor spaces / in buildings and not directly at window openings, to allow a maximum shielding.

Warranty

Users are not authorized to modify this product. Any modifications invalidate the warranty.

This equipment may not be modified, altered, or changed in any way without signed written permission from Fujitsu. Unauthorized modification will void the equipment authorization from the FCC and Industry Canada and the warranty.