

APPENDIX B PLOTS OF THE SAR MEASUREMENTS

Plots of the measured SAR distributions inside the phantom are given in this Appendix for all tested configurations.



Accredited for compliance with ISO/IEC 17025. The results of the test, calibrations and/or measurement included in this document are traceable to Australian/national standards. NATA is a signatory to the ILAC Mutual Recognition Arrangement for the mutual recognition of the equivalence of testing, calibration and inspection reports.

This document shall not be reproduced except in full.

Test Lab: EMCTech Test File: M161026 Tablet 2450 MHz WLAN FCC.da52:0

DUT Name: Fujitsu Tablet with 11 abgn/ac WLAN, Type: 8265NGW, Serial: WFM: 0028F800E556

Configuration: Bystander 25mm Spacing OFDM Antenna 2 26-10-16

Communication System: 0 - OFDM 2450 MHz HT0 (40MHz); Communication System Band: ISM 2.4 GHz;
Frequency: 2442 MHz, Communication System PAR: 0.00 dB; PMF: 0.00; Duty Cycle: 1:1.00
Medium Parameters used: $f=2442$ MHz; $\sigma = 1.98$ S/m; $\epsilon_r = 51.1$; $\rho = 1000.0$ g/cm³
Phantom section: Flat Section

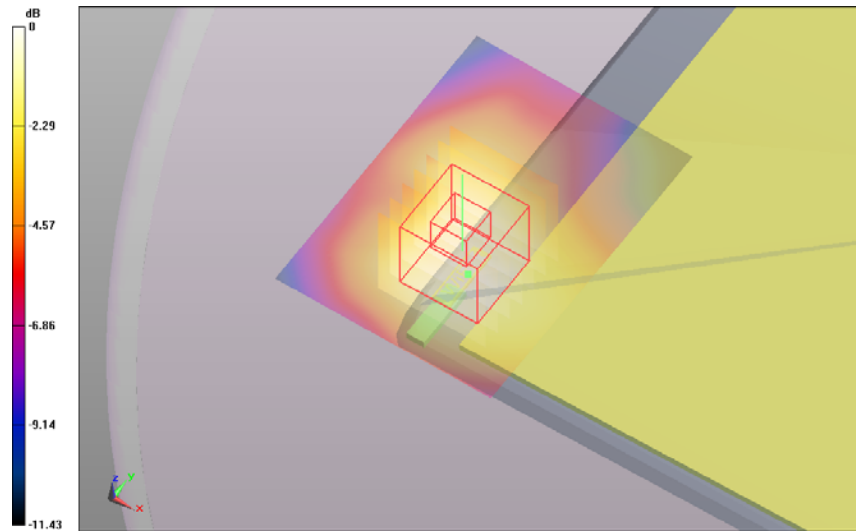
DASY Configuration:

Probe: ET3DV6 - SN1380; ConvF: (4.18,4.18,4.18); Calibrated: 10/12/2015;
Sensor-Surface: 4 mm (Mechanical Surface Detection (Locations From Previous Scan Used))
Electronics: DAE3 Sn442; Calibrated: 7/12/2015
Phantom: ELI 4.0; Type: QDOVA001BA; Serial: 1101
DASY52 52.8.8(1222); SEMCAD X Version 14.6.10 (7331)

Bystander 25mm Spacing OFDM Antenna 2 26-10-16/Channel 7 Test/Area Scan (51x71x1): Interpolated grid:
dx=1.2 mm, dy=1.2 mm; Maximum value of SAR (interpolated) = 0.024 W/kg

Bystander 25mm Spacing OFDM Antenna 2 26-10-16/Channel 7 Test/Zoom Scan (31x31x36)/Cube 0:
Interpolated grid: dx=1.0 mm, dy=1.0 mm, dz=1.0 mm; Reference Value = 3.479 V/m; **Power Drift = -0.12 dB**

Averaged SAR: SAR(1g) = 0.021 W/kg; SAR(10g) = 0.012 W/kg
Maximum value of SAR (interpolated) = 0.061 W/kg



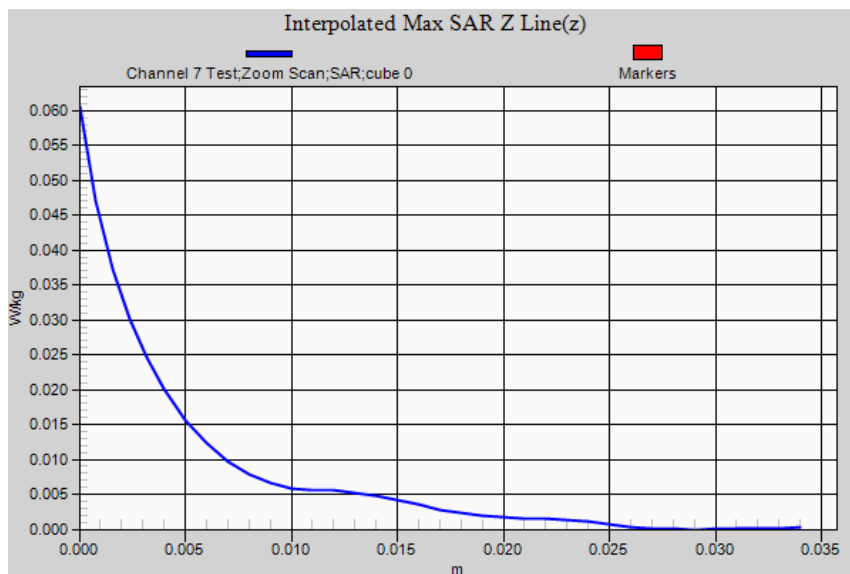
0 dB = 0.0243 W/kg = -16.14 dBW/kg

SAR Measurement Plot 1



Accredited for compliance with ISO/IEC 17025. The results of the test, calibrations and/or measurement included in this document are traceable to Australian/national standards. NATA is a signatory to the ILAC Mutual Recognition Arrangement for the mutual recognition of the equivalence of testing, calibration and inspection reports.

This document shall not be reproduced except in full.



Accredited for compliance with ISO/IEC 17025. The results of the test, calibrations and/or measurement included in this document are traceable to Australian/national standards. NATA is a signatory to the ILAC Mutual Recognition Arrangement for the mutual recognition of the equivalence of testing, calibration and inspection reports.

This document shall not be reproduced except in full.

Test Lab: EMCTech Test File: M161026 Tablet 2450 MHz WLAN FCC.da52:1

DUT Name: Fujitsu Tablet with 11 abgn/ac WLAN, Type: 8265NGW, Serial: WFM: 0028F800E556

Configuration: Bystander 25mm Spacing DSSS Antenna 2 26-10-16

Communication System: 0 - DSSS 2450 MHz 1Mbps; Communication System Band: ISM 2.4 GHz; Frequency: 2442 MHz, Communication System PAR: 0.00 dB; PMF: 1.00; Duty Cycle: 1:1.00
 Medium Parameters used: $f=2442$ MHz; $\sigma = 1.98$ S/m; $\epsilon_r = 51.1$; $\rho = 1000.0$ g/cm³
 Phantom section: Flat Section

DASY Configuration:

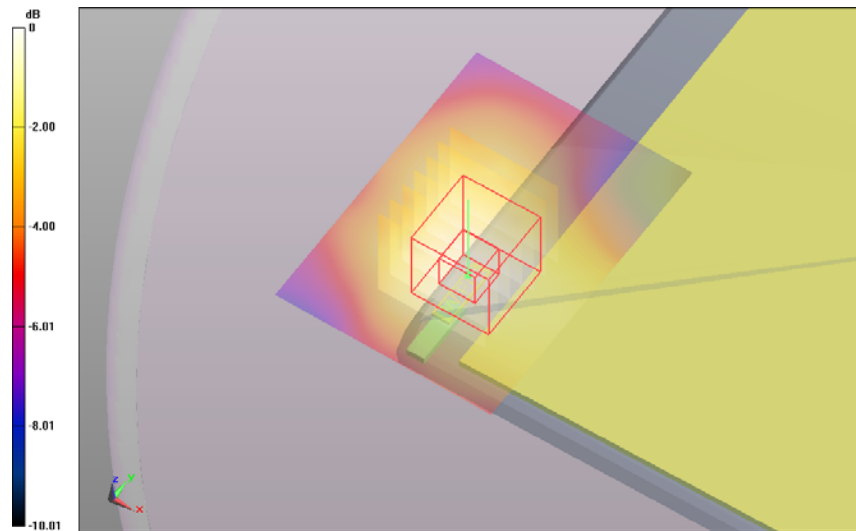
Probe: ET3DV6 - SN1380; ConvF: (4.18,4.18,4.18); Calibrated: 10/12/2015;
 Sensor-Surface: 4 mm (Mechanical Surface Detection)
 Electronics: DAE3 Sn442; Calibrated: 7/12/2015
 Phantom: ELI 4.0; Type: QDOVA001BA; Serial: 1101
 DASY52 52.8.8(1222); SEMCAD X Version 14.6.10 (7331)

Bystander 25mm Spacing DSSS Antenna 2 26-10-16/Channel 7 Test/Area Scan (51x71x1): Interpolated grid: dx=1.2 mm, dy=1.2 mm; Maximum value of SAR (interpolated) = 0.017 W/kg

Bystander 25mm Spacing DSSS Antenna 2 26-10-16/Channel 7 Test/Zoom Scan (31x31x36)/Cube 0: Interpolated grid: dx=1.0 mm, dy=1.0 mm, dz=1.0 mm; Reference Value = 2.517 V/m; **Power Drift = -0.21 dB**

Averaged SAR: SAR(1g) = 0.015 W/kg; SAR(10g) = 0.008 W/kg

Maximum value of SAR (interpolated) = 0.033 W/kg



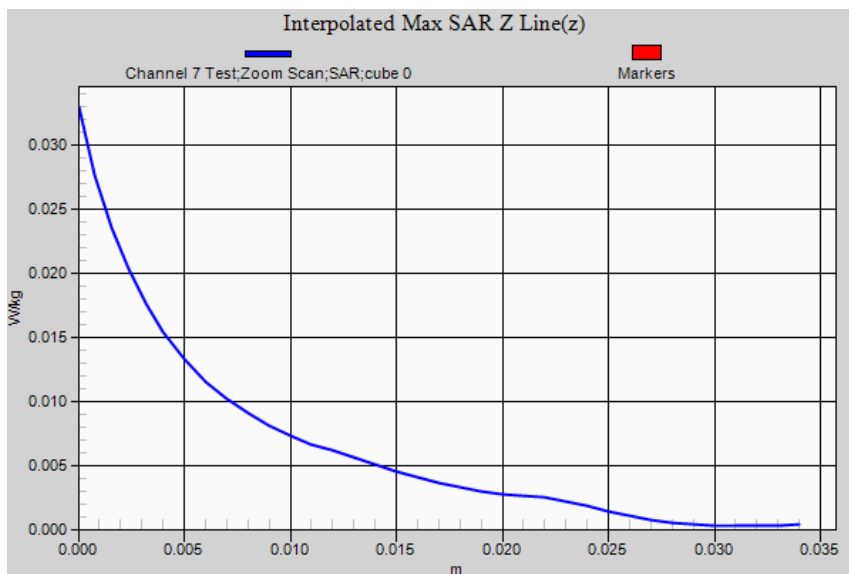
0 dB = 0.0165 W/kg = -17.83 dBW/kg

SAR Measurement Plot 2



Accredited for compliance with ISO/IEC 17025. The results of the test, calibrations and/or measurement included in this document are traceable to Australian/national standards. NATA is a signatory to the ILAC Mutual Recognition Arrangement for the mutual recognition of the equivalence of testing, calibration and inspection reports.

This document shall not be reproduced except in full.



Accredited for compliance with ISO/IEC 17025. The results of the test, calibrations and/or measurement included in this document are traceable to Australian/national standards. NATA is a signatory to the ILAC Mutual Recognition Arrangement for the mutual recognition of the equivalence of testing, calibration and inspection reports.

This document shall not be reproduced except in full.

Test Lab: EMCTech Test File: M161026 Tablet 2450 MHz WLAN FCC.da52:2

DUT Name: Fujitsu Tablet with 11 abgn/ac WLAN, Type: 8265NGW, Serial: WFM: 0028F800E556

Configuration: Bystander 25mm Spacing OFDM Antenna 1 26-10-16

Communication System: 0 - OFDM 2450 MHz HT0 (40MHz); Communication System Band: ISM 2.4 GHz;
 Frequency: 2442 MHz, Communication System PAR: 0.00 dB; PMF: 0.00; Duty Cycle: 1:1.00
 Medium Parameters used: $f=2442$ MHz; $\sigma = 1.98$ S/m; $\epsilon_r = 51.1$; $\rho = 1000.0\text{g/cm}^3$
 Phantom section: Flat Section

DASY Configuration:

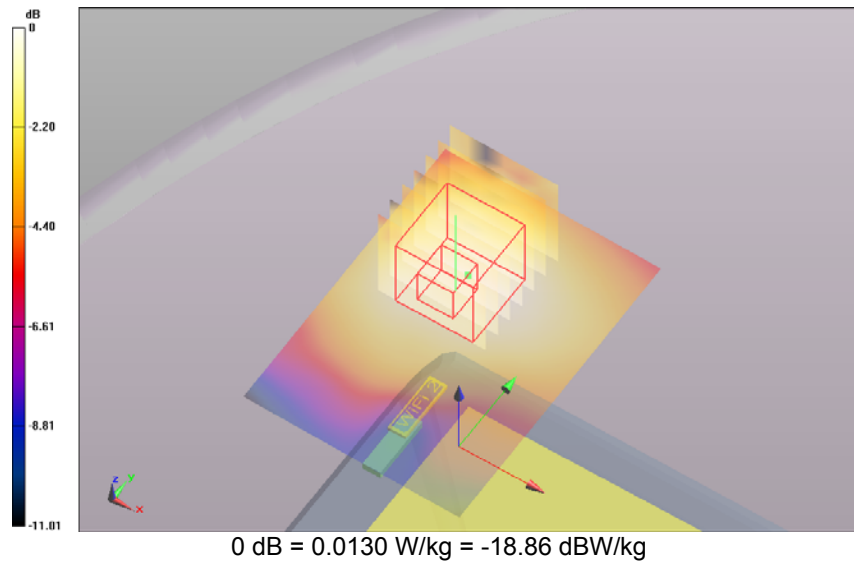
Probe: ET3DV6 - SN1380; ConvF: (4.18,4.18,4.18); Calibrated: 10/12/2015;
 Sensor-Surface: 4 mm (Mechanical Surface Detection)
 Electronics: DAE3 Sn442; Calibrated: 7/12/2015
 Phantom: ELI 4.0; Type: QDOVA001BA; Serial: 1101
 DASY52 52.8.8(1222); SEMCAD X Version 14.6.10 (7331)

Bystander 25mm Spacing OFDM Antenna 1 26-10-16/Channel 7 Test/Area Scan (51x71x1): Interpolated grid: $dx=1.2$ mm, $dy=1.2$ mm; Maximum value of SAR (interpolated) = 0.013 W/kg

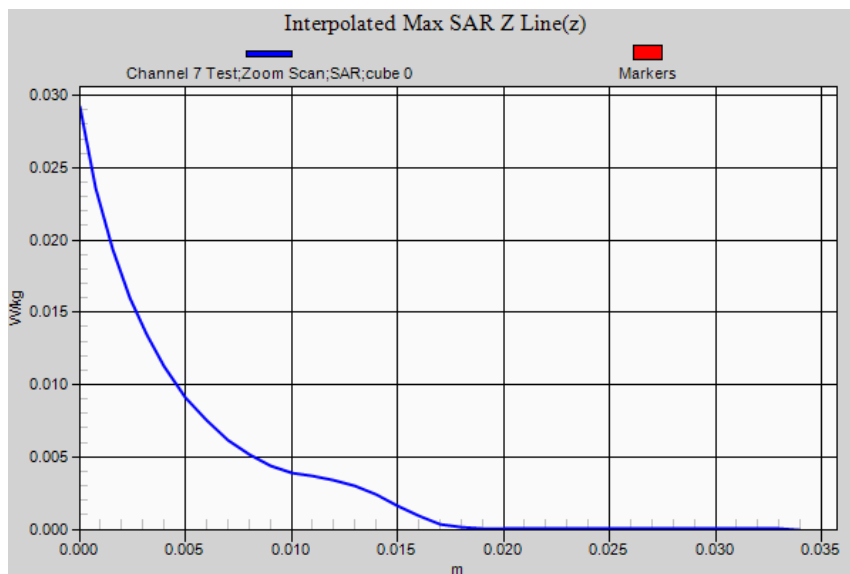
Bystander 25mm Spacing OFDM Antenna 1 26-10-16/Channel 7 Test/Zoom Scan (31x31x36)/Cube 0: Interpolated grid: $dx=1.0$ mm, $dy=1.0$ mm, $dz=1.0$ mm; Reference Value = 1.800 V/m; **Power Drift = 0.03 dB**

Averaged SAR: SAR(1g) = 0.012 W/kg; SAR(10g) = 0.007 W/kg

Maximum value of SAR (interpolated) = 0.029 W/kg



SAR Measurement Plot 3



Accredited for compliance with ISO/IEC 17025. The results of the test, calibrations and/or measurement included in this document are traceable to Australian/national standards. NATA is a signatory to the ILAC Mutual Recognition Arrangement for the mutual recognition of the equivalence of testing, calibration and inspection reports.

This document shall not be reproduced except in full.

Test Lab: EMCTech Test File: M161026 Tablet 2450 MHz WLAN FCC.da52:3

DUT Name: Fujitsu Tablet with 11 abgn/ac WLAN, Type: 8265NGW, Serial: WFM: 0028F800E556

Configuration: Bystander 25mm Spacing DSSS Antenna 1 26-10-16

Communication System: 0 - DSSS 2450 MHz 1Mbps; Communication System Band: ISM 2.4 GHz; Frequency: 2442 MHz, Communication System PAR: 0.00 dB; PMF: 1.00; Duty Cycle: 1:1.00
 Medium Parameters used: $f=2442$ MHz; $\sigma = 1.98$ S/m; $\epsilon_r = 51.1$; $\rho = 1000.0$ g/cm³
 Phantom section: Flat Section

DASY Configuration:

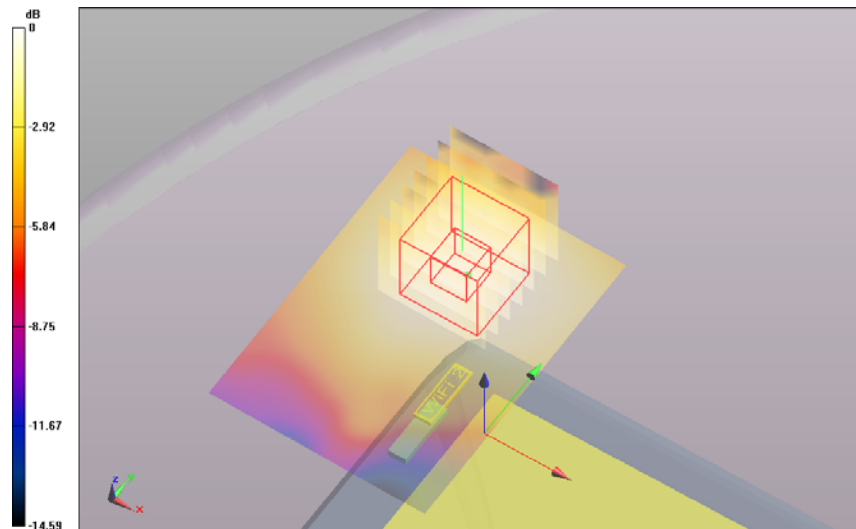
Probe: ET3DV6 - SN1380; ConvF: (4.18,4.18,4.18); Calibrated: 10/12/2015;
 Sensor-Surface: 4 mm (Mechanical Surface Detection)
 Electronics: DAE3 Sn442; Calibrated: 7/12/2015
 Phantom: ELI 4.0; Type: QDOVA001BA; Serial: 1101
 DASY52 52.8.8(1222); SEMCAD X Version 14.6.10 (7331)

Bystander 25mm Spacing DSSS Antenna 1 26-10-16/Channel 7 Test/Area Scan (51x71x1): Interpolated grid: dx=1.2 mm, dy=1.2 mm; Maximum value of SAR (interpolated) = 0.013 W/kg

Bystander 25mm Spacing DSSS Antenna 1 26-10-16/Channel 7 Test/Zoom Scan (31x31x36)/Cube 0: Interpolated grid: dx=1.0 mm, dy=1.0 mm, dz=1.0 mm; Reference Value = 1.945 V/m; **Power Drift = -0.17 dB**

Averaged SAR: SAR(1g) = 0.013 W/kg; SAR(10g) = 0.007 W/kg

Maximum value of SAR (interpolated) = 0.033 W/kg



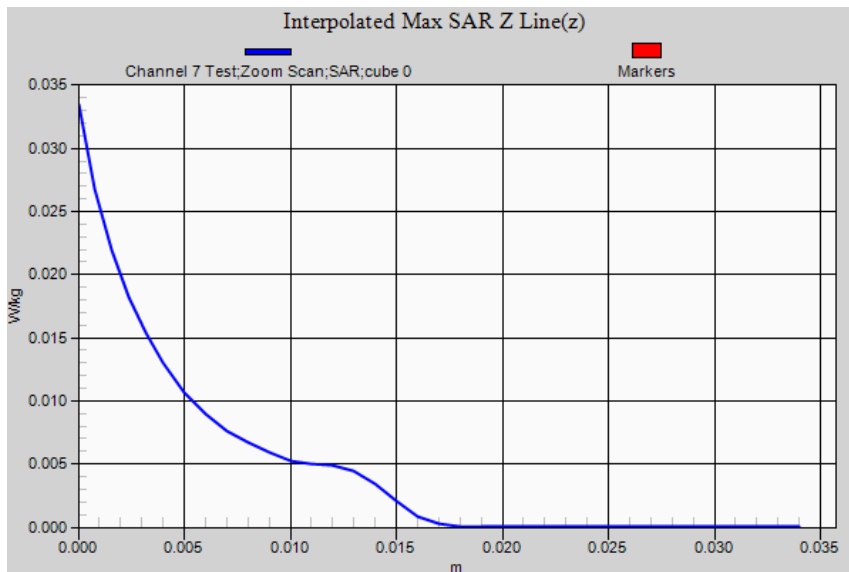
0 dB = 0.0127 W/kg = -18.96 dBW/kg

SAR Measurement Plot 4



Accredited for compliance with ISO/IEC 17025. The results of the test, calibrations and/or measurement included in this document are traceable to Australian/national standards. NATA is a signatory to the ILAC Mutual Recognition Arrangement for the mutual recognition of the equivalence of testing, calibration and inspection reports.

This document shall not be reproduced except in full.



Accredited for compliance with ISO/IEC 17025. The results of the test, calibrations and/or measurement included in this document are traceable to Australian/national standards. NATA is a signatory to the ILAC Mutual Recognition Arrangement for the mutual recognition of the equivalence of testing, calibration and inspection reports.

This document shall not be reproduced except in full.

Test Lab: EMCTech Test File: M161026 Tablet 2450 MHz WLAN FCC.da52:4

DUT Name: Fujitsu Tablet with 11 abgn/ac WLAN, Type: 8265NGW, Serial: WFM: 0028F800E556

Configuration: Lap Held OFDM Antenna 2 26-10-16

Communication System: 0 - OFDM 2450 MHz HT0 (40MHz); Communication System Band: ISM 2.4 GHz;
 Frequency: 2442 MHz, Communication System PAR: 0.00 dB; PMF: 0.00; Duty Cycle: 1:1.00
 Medium Parameters used: $f=2442$ MHz; $\sigma = 1.98$ S/m; $\epsilon_r = 51.1$; $\rho = 1000.0\text{g/cm}^3$
 Phantom section: Flat Section

DASY Configuration:

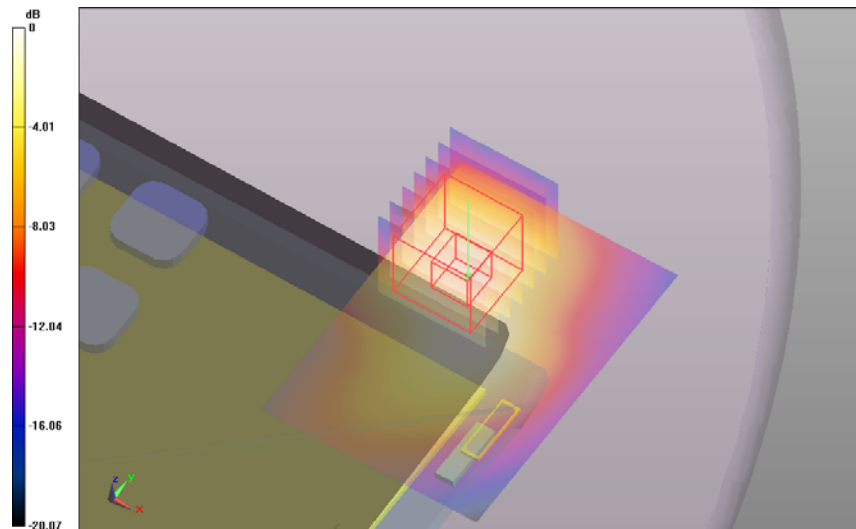
Probe: ET3DV6 - SN1380; ConvF: (4.18,4.18,4.18); Calibrated: 10/12/2015;
 Sensor-Surface: 4 mm (Mechanical Surface Detection (Locations From Previous Scan Used))
 Electronics: DAE3 Sn442; Calibrated: 7/12/2015
 Phantom: ELI 4.0; Type: QDOVA001BA; Serial: 1101
 DASY52 52.8.8(1222); SEMCAD X Version 14.6.10 (7331)

Lap Held OFDM Antenna 2 26-10-16/Channel 7 Test/Area Scan (51x71x1): Interpolated grid: $dx=1.2$ mm, $dy=1.2$ mm; Maximum value of SAR (interpolated) = 0.082 W/kg

Lap Held OFDM Antenna 2 26-10-16/Channel 7 Test/Zoom Scan (31x31x36)/Cube 0: Interpolated grid: $dx=1.0$ mm, $dy=1.0$ mm, $dz=1.0$ mm; Reference Value = 4.012 V/m; **Power Drift = -0.00 dB**

Averaged SAR: SAR(1g) = 0.078 W/kg; SAR(10g) = 0.040 W/kg

Maximum value of SAR (interpolated) = 0.177 W/kg



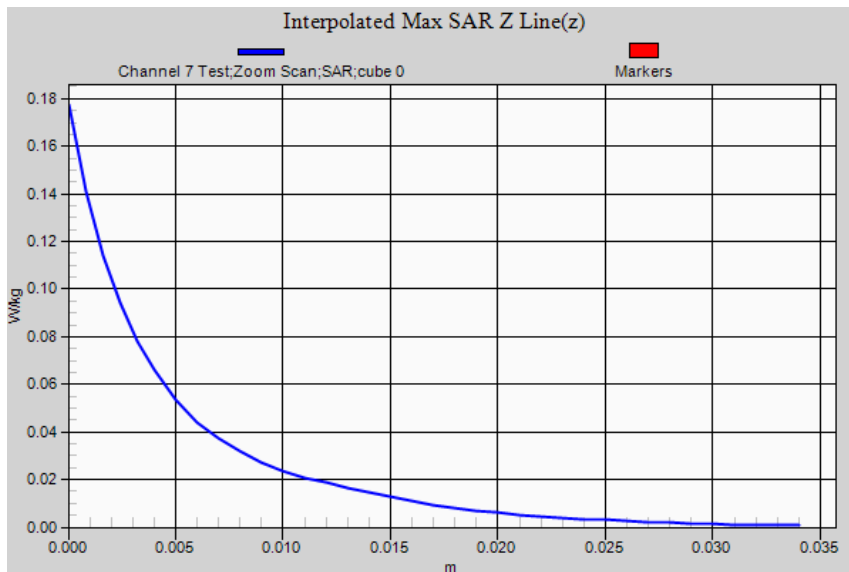
0 dB = 0.0821 W/kg = -10.86 dBW/kg

SAR Measurement Plot 5



Accredited for compliance with ISO/IEC 17025. The results of the test, calibrations and/or measurement included in this document are traceable to Australian/national standards. NATA is a signatory to the ILAC Mutual Recognition Arrangement for the mutual recognition of the equivalence of testing, calibration and inspection reports.

This document shall not be reproduced except in full.



Accredited for compliance with ISO/IEC 17025. The results of the test, calibrations and/or measurement included in this document are traceable to Australian/national standards. NATA is a signatory to the ILAC Mutual Recognition Arrangement for the mutual recognition of the equivalence of testing, calibration and inspection reports.

This document shall not be reproduced except in full.

Test Lab: EMCTech Test File: M161026 Tablet 2450 MHz WLAN FCC.da52:6

DUT Name: Fujitsu Tablet with 11 abgn/ac WLAN, Type: 8265NGW, Serial: WFM: 0028F800E556

Configuration: Lap Held DSSS Antenna 2 28-10-16

Communication System: 0 - DSSS 2450 MHz 1Mbps; Communication System Band: ISM 2.4 GHz; Frequency: 2442 MHz, Communication System PAR: 0.00 dB; PMF: 1.00; Duty Cycle: 1:1.00
Medium Parameters used: $f=2442$ MHz; $\sigma = 1.91$ S/m; $\epsilon_r = 51.0$; $\rho = 1000.0$ g/cm³
Phantom section: Flat Section

DASY Configuration:

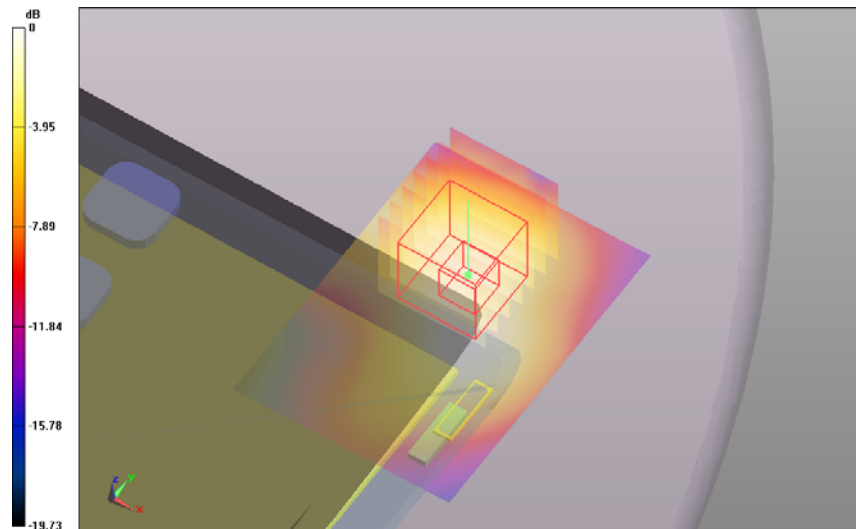
Probe: ET3DV6 - SN1380; ConvF: (4.18,4.18,4.18); Calibrated: 10/12/2015;
Sensor-Surface: 4 mm (Mechanical Surface Detection)
Electronics: DAE3 Sn442; Calibrated: 7/12/2015
Phantom: ELI 4.0; Type: QDOVA001BA; Serial: 1101
DASY52 52.8.8(1222); SEMCAD X Version 14.6.10 (7331)

Lap Held DSSS Antenna 2 28-10-16/Channel 7 Test 2/Area Scan (51x71x1): Interpolated grid: dx=1.2 mm, dy=1.2 mm; Maximum value of SAR (interpolated) = 0.078 W/kg

Lap Held DSSS Antenna 2 28-10-16/Channel 7 Test 2/Zoom Scan (31x31x36)/Cube 0: Interpolated grid: dx=1.0 mm, dy=1.0 mm, dz=1.0 mm; Reference Value = 6.470 V/m; **Power Drift = -0.06 dB**

Averaged SAR: SAR(1g) = 0.072 W/kg; SAR(10g) = 0.037 W/kg

Maximum value of SAR (interpolated) = 0.182 W/kg



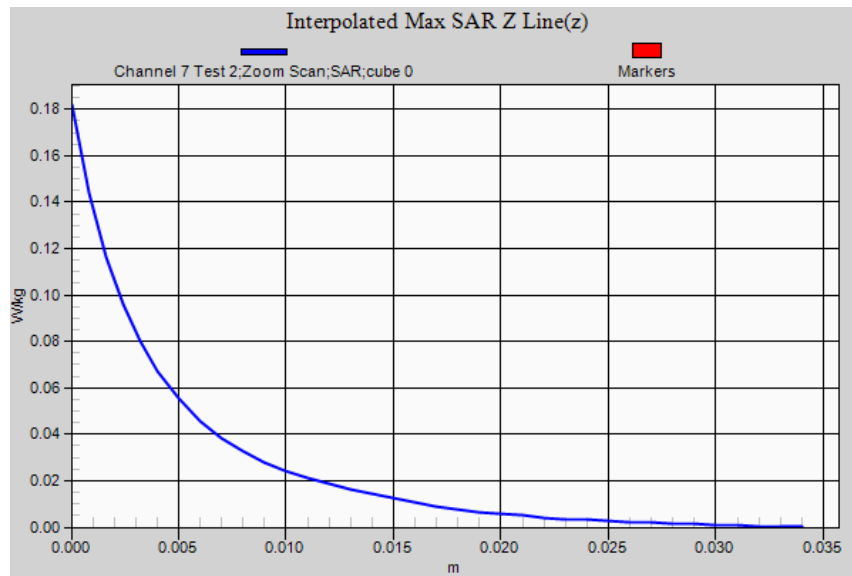
0 dB = 0.0777 W/kg = -11.10 dBW/kg

SAR Measurement Plot 6



Accredited for compliance with ISO/IEC 17025. The results of the test, calibrations and/or measurement included in this document are traceable to Australian/national standards. NATA is a signatory to the ILAC Mutual Recognition Arrangement for the mutual recognition of the equivalence of testing, calibration and inspection reports.

This document shall not be reproduced except in full.



Accredited for compliance with ISO/IEC 17025. The results of the test, calibrations and/or measurement included in this document are traceable to Australian/national standards. NATA is a signatory to the ILAC Mutual Recognition Arrangement for the mutual recognition of the equivalence of testing, calibration and inspection reports.

This document shall not be reproduced except in full.

Test Lab: EMCTech Test File: M161026 Tablet 2450 MHz WLAN FCC.da52:7

DUT Name: Fujitsu Tablet with 11 abgn/ac WLAN, Type: 8265NGW, Serial: WFM: 0028F800E556

Configuration: Lap Held OFDM Antenna 1 26-10-16

Communication System: 0 - OFDM 2450 MHz HT0 (40MHz); Communication System Band: ISM 2.4 GHz;
 Frequency: 2442 MHz, Communication System PAR: 0.00 dB; PMF: 0.00; Duty Cycle: 1:1.00
 Medium Parameters used: $f=2442$ MHz; $\sigma = 1.98$ S/m; $\epsilon_r = 51.1$; $\rho = 1000.0$ g/cm³
 Phantom section: Flat Section

DASY Configuration:

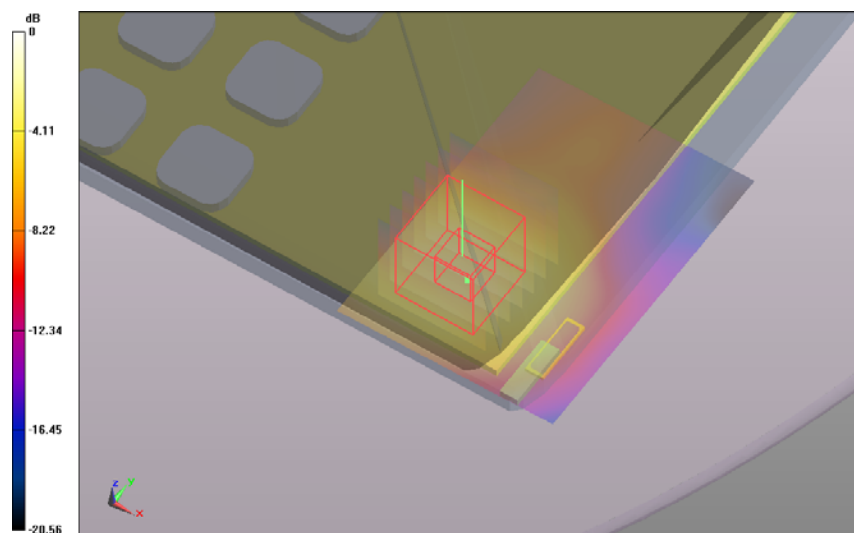
Probe: ET3DV6 - SN1380; ConvF: (4.18,4.18,4.18); Calibrated: 10/12/2015;
 Sensor-Surface: 4 mm (Mechanical Surface Detection)
 Electronics: DAE3 Sn442; Calibrated: 7/12/2015
 Phantom: ELI 4.0; Type: QDOVA001BA; Serial: 1101
 DASY52 52.8.8(1222); SEMCAD X Version 14.6.10 (7331)

Lap Held OFDM Antenna 1 26-10-16/Channel 7 Test/Area Scan (51x71x1): Interpolated grid: dx=1.2 mm, dy=1.2 mm; Maximum value of SAR (interpolated) = 0.077 W/kg

Lap Held OFDM Antenna 1 26-10-16/Channel 7 Test/Zoom Scan (31x31x36)/Cube 0: Interpolated grid: dx=1.0 mm, dy=1.0 mm, dz=1.0 mm; Reference Value = 3.329 V/m; **Power Drift = -0.02 dB**

Averaged SAR: SAR(1g) = 0.078 W/kg; SAR(10g) = 0.037 W/kg

Maximum value of SAR (interpolated) = 0.193 W/kg



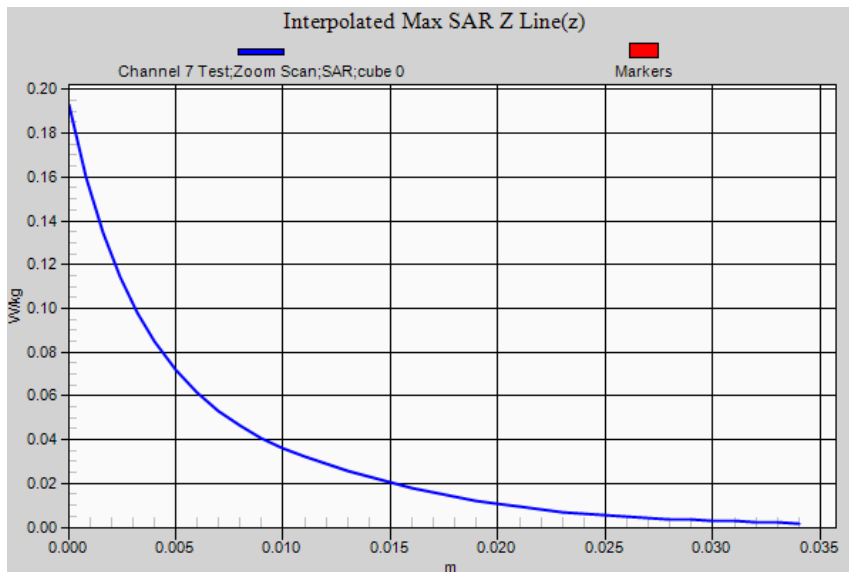
0 dB = 0.0773 W/kg = -11.12 dBW/kg

SAR Measurement Plot 7



Accredited for compliance with ISO/IEC 17025. The results of the test, calibrations and/or measurement included in this document are traceable to Australian/national standards. NATA is a signatory to the ILAC Mutual Recognition Arrangement for the mutual recognition of the equivalence of testing, calibration and inspection reports.

This document shall not be reproduced except in full.



Accredited for compliance with ISO/IEC 17025. The results of the test, calibrations and/or measurement included in this document are traceable to Australian/national standards. NATA is a signatory to the ILAC Mutual Recognition Arrangement for the mutual recognition of the equivalence of testing, calibration and inspection reports.

This document shall not be reproduced except in full.

Test Lab: EMCTech Test File: M161026 Tablet 2450 MHz WLAN FCC.da52:8

DUT Name: Fujitsu Tablet with 11 abgn/ac WLAN, Type: 8265NGW, Serial: WFM: 0028F800E556

Configuration: Lap Held DSSS Antenna 1 26-10-16

Communication System: 0 - DSSS 2450 MHz 1Mbps; Communication System Band: ISM 2.4 GHz; Frequency: 2442 MHz, Communication System PAR: 0.00 dB; PMF: 1.00; Duty Cycle: 1:1.00
 Medium Parameters used: $f=2442$ MHz; $\sigma = 1.98$ S/m; $\epsilon_r = 51.1$; $\rho = 1000.0$ g/cm³
 Phantom section: Flat Section

DASY Configuration:

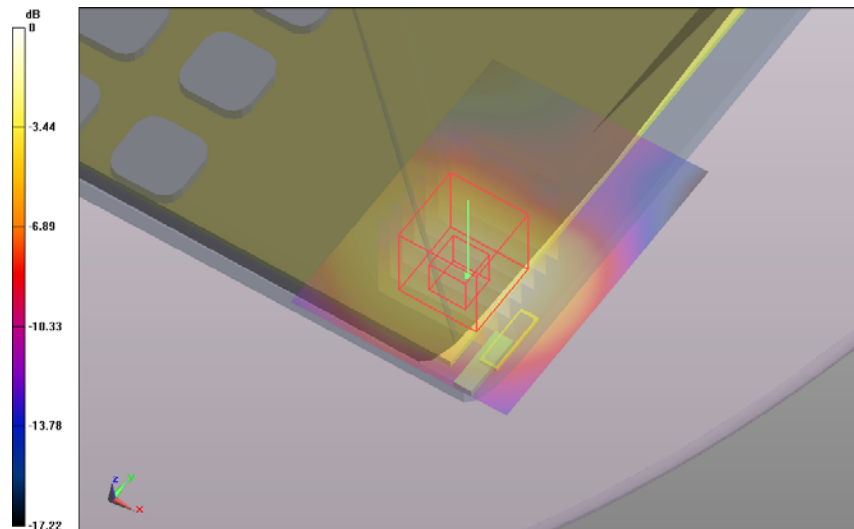
Probe: ET3DV6 - SN1380; ConvF: (4.18,4.18,4.18); Calibrated: 10/12/2015;
 Sensor-Surface: 4 mm (Mechanical Surface Detection)
 Electronics: DAE3 Sn442; Calibrated: 7/12/2015
 Phantom: ELI 4.0; Type: QDOVA001BA; Serial: 1101
 DASY52 52.8.8(1222); SEMCAD X Version 14.6.10 (7331)

Lap Held DSSS Antenna 1 26-10-16/Channel 7 Test/Area Scan (51x71x1): Interpolated grid: dx=1.2 mm, dy=1.2 mm; Maximum value of SAR (interpolated) = 0.096 W/kg

Lap Held DSSS Antenna 1 26-10-16/Channel 7 Test/Zoom Scan (31x31x36)/Cube 0: Interpolated grid: dx=1.0 mm, dy=1.0 mm, dz=1.0 mm; Reference Value = 5.313 V/m; **Power Drift = -0.09 dB**

Averaged SAR: SAR(1g) = 0.086 W/kg; SAR(10g) = 0.044 W/kg

Maximum value of SAR (interpolated) = 0.208 W/kg



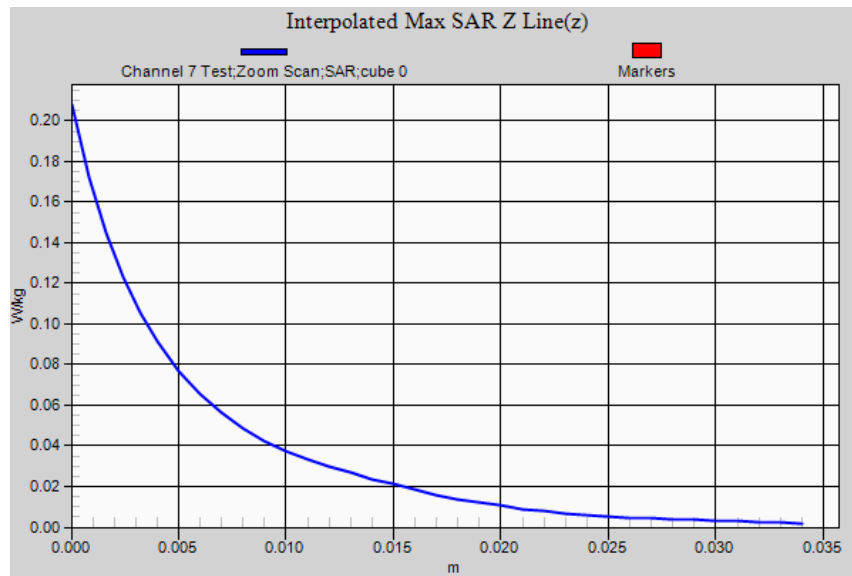
0 dB = 0.0964 W/kg = -10.16 dBW/kg

SAR Measurement Plot 8



Accredited for compliance with ISO/IEC 17025. The results of the test, calibrations and/or measurement included in this document are traceable to Australian/national standards. NATA is a signatory to the ILAC Mutual Recognition Arrangement for the mutual recognition of the equivalence of testing, calibration and inspection reports.

This document shall not be reproduced except in full.



Accredited for compliance with ISO/IEC 17025. The results of the test, calibrations and/or measurement included in this document are traceable to Australian/national standards. NATA is a signatory to the ILAC Mutual Recognition Arrangement for the mutual recognition of the equivalence of testing, calibration and inspection reports.

This document shall not be reproduced except in full.

Test Lab: EMCTech Test File: M161026 Tablet 2450 MHz WLAN FCC.da52:9

DUT Name: Fujitsu Tablet with 11 abgn/ac WLAN, Type: 8265NGW, Serial: WFM: 0028F800E556

Configuration: Edge 1 OFDM Antenna 2 27-10-16

Communication System: 0 - OFDM 2450 MHz HT0 (40MHz); Communication System Band: ISM 2.4 GHz;
 Frequency: 2422 MHz, Communication System PAR: 0.00 dB; PMF: 0.00; Duty Cycle: 1:1.00
 Medium Parameters used: $f=2422$ MHz; $\sigma = 1.90$ S/m; $\epsilon_r = 51.1$; $\rho = 1000.0\text{g/cm}^3$
 Phantom section: Flat Section

DASY Configuration:

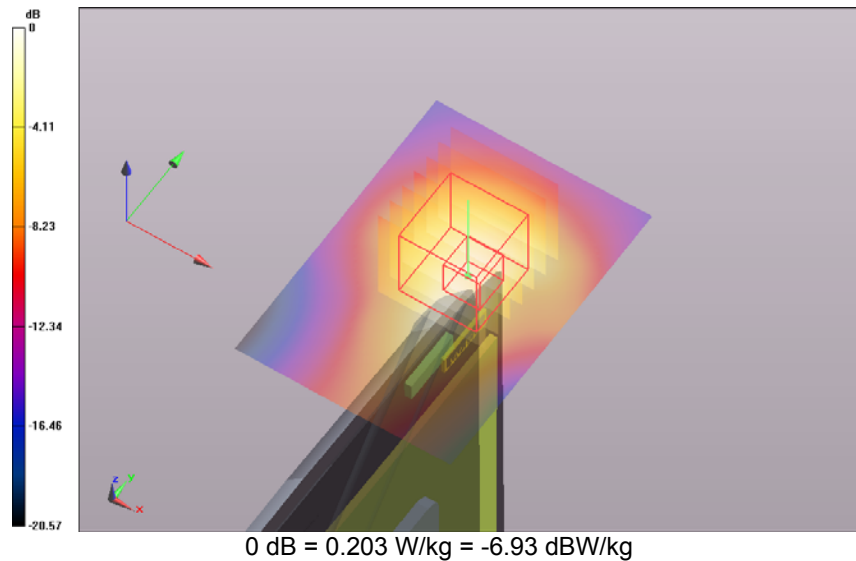
Probe: ET3DV6 - SN1380; ConvF: (4.18,4.18,4.18); Calibrated: 10/12/2015;
 Sensor-Surface: 4 mm (Mechanical Surface Detection (Locations From Previous Scan Used))
 Electronics: DAE3 Sn442; Calibrated: 7/12/2015
 Phantom: ELI 4.0; Type: QDOVA001BA; Serial: 1101
 DASY52 52.8.8(1222); SEMCAD X Version 14.6.10 (7331)

Edge 1 OFDM Antenna 2 27-10-16/Channel 3 Test/Area Scan (51x71x1): Interpolated grid: $dx=1.2$ mm, $dy=1.2$ mm; Maximum value of SAR (interpolated) = 0.203 W/kg

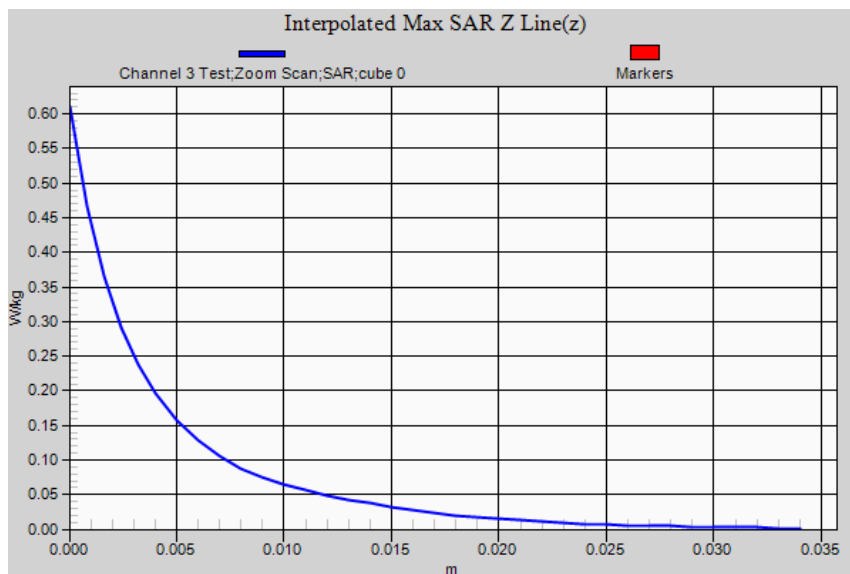
Edge 1 OFDM Antenna 2 27-10-16/Channel 3 Test/Zoom Scan (31x31x36)/Cube 0: Interpolated grid: $dx=1.0$ mm, $dy=1.0$ mm, $dz=1.0$ mm; Reference Value = 8.107 V/m; **Power Drift = -0.00 dB**

Averaged SAR: SAR(1g) = 0.177 W/kg; SAR(10g) = 0.076 W/kg

Maximum value of SAR (interpolated) = 0.610 W/kg



SAR Measurement Plot 9



Accredited for compliance with ISO/IEC 17025. The results of the test, calibrations and/or measurement included in this document are traceable to Australian/national standards. NATA is a signatory to the ILAC Mutual Recognition Arrangement for the mutual recognition of the equivalence of testing, calibration and inspection reports.

This document shall not be reproduced except in full.

Test Lab: EMCTech Test File: M161026 Tablet 2450 MHz WLAN FCC.da52:9

DUT Name: Fujitsu Tablet with 11 abgn/ac WLAN, Type: 8265NGW, Serial: WFM: 0028F800E556

Configuration: Edge 1 OFDM Antenna 2 27-10-16

Communication System: 0 - OFDM 2450 MHz HT0 (40MHz); Communication System Band: ISM 2.4 GHz;
 Frequency: 2437 MHz, Communication System PAR: 0.00 dB; PMF: 0.00; Duty Cycle: 1:1.00
 Medium Parameters used: $f=2437$ MHz; $\sigma = 1.93$ S/m; $\epsilon_r = 51.0$; $\rho = 1000.0\text{g/cm}^3$
 Phantom section: Flat Section

DASY Configuration:

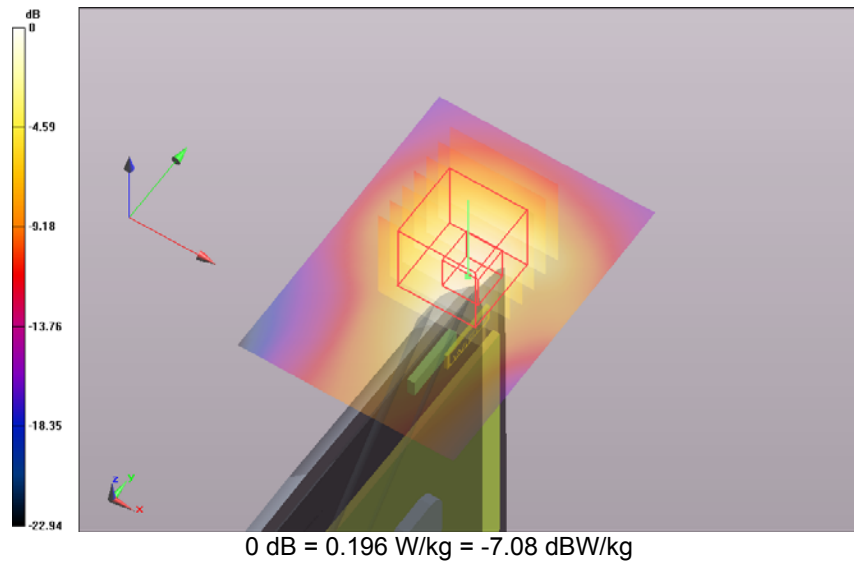
Probe: ET3DV6 - SN1380; ConvF: (4.18,4.18,4.18); Calibrated: 10/12/2015;
 Sensor-Surface: 4 mm (Mechanical Surface Detection (Locations From Previous Scan Used))
 Electronics: DAE3 Sn442; Calibrated: 7/12/2015
 Phantom: ELI 4.0; Type: QDOVA001BA; Serial: 1101
 DASY52 52.8.8(1222); SEMCAD X Version 14.6.10 (7331)

Edge 1 OFDM Antenna 2 27-10-16/Channel 6 Test/Area Scan (51x71x1): Interpolated grid: $dx=1.2$ mm, $dy=1.2$ mm; Maximum value of SAR (interpolated) = 0.196 W/kg

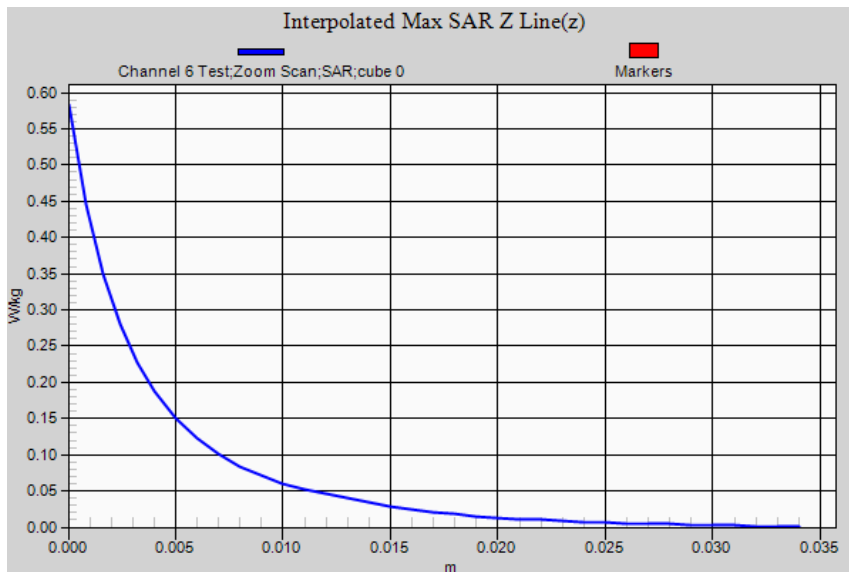
Edge 1 OFDM Antenna 2 27-10-16/Channel 6 Test/Zoom Scan (31x31x36)/Cube 0: Interpolated grid: $dx=1.0$ mm, $dy=1.0$ mm, $dz=1.0$ mm; Reference Value = 8.068 V/m; **Power Drift = 0.00 dB**

Averaged SAR: SAR(1g) = 0.170 W/kg; SAR(10g) = 0.074 W/kg

Maximum value of SAR (interpolated) = 0.583 W/kg



SAR Measurement Plot 10



Accredited for compliance with ISO/IEC 17025. The results of the test, calibrations and/or measurement included in this document are traceable to Australian/national standards. NATA is a signatory to the ILAC Mutual Recognition Arrangement for the mutual recognition of the equivalence of testing, calibration and inspection reports.

This document shall not be reproduced except in full.

Test Lab: EMCTech Test File: M161026 Tablet 2450 MHz WLAN FCC.da52:9

DUT Name: Fujitsu Tablet with 11 abgn/ac WLAN, Type: 8265NGW, Serial: WFM: 0028F800E556

Configuration: Edge 1 OFDM Antenna 2 27-10-16

Communication System: 0 - OFDM 2450 MHz HT0 (40MHz); Communication System Band: ISM 2.4 GHz;
 Frequency: 2442 MHz, Communication System PAR: 0.00 dB; PMF: 0.00; Duty Cycle: 1:1.00
 Medium Parameters used: $f=2442$ MHz; $\sigma = 1.94$ S/m; $\epsilon_r = 51.0$; $\rho = 1000.0\text{g/cm}^3$
 Phantom section: Flat Section

DASY Configuration:

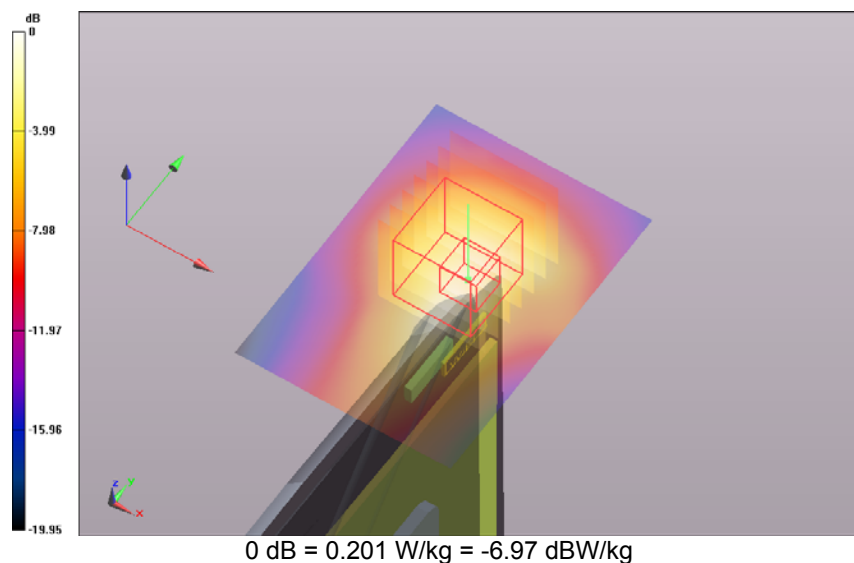
Probe: ET3DV6 - SN1380; ConvF: (4.18,4.18,4.18); Calibrated: 10/12/2015;
 Sensor-Surface: 4 mm (Mechanical Surface Detection (Locations From Previous Scan Used))
 Electronics: DAE3 Sn442; Calibrated: 7/12/2015
 Phantom: ELI 4.0; Type: QDOVA001BA; Serial: 1101
 DASY52 52.8.8(1222); SEMCAD X Version 14.6.10 (7331)

Edge 1 OFDM Antenna 2 27-10-16/Channel 7 Test/Area Scan (51x71x1): Interpolated grid: $dx=1.2$ mm, $dy=1.2$ mm; Maximum value of SAR (interpolated) = 0.201 W/kg

Edge 1 OFDM Antenna 2 27-10-16/Channel 7 Test/Zoom Scan (31x31x36)/Cube 0: Interpolated grid: $dx=1.0$ mm, $dy=1.0$ mm, $dz=1.0$ mm; Reference Value = 8.144 V/m; **Power Drift = -0.06 dB**

Averaged SAR: SAR(1g) = 0.174 W/kg; SAR(10g) = 0.076 W/kg

Maximum value of SAR (interpolated) = 0.579 W/kg

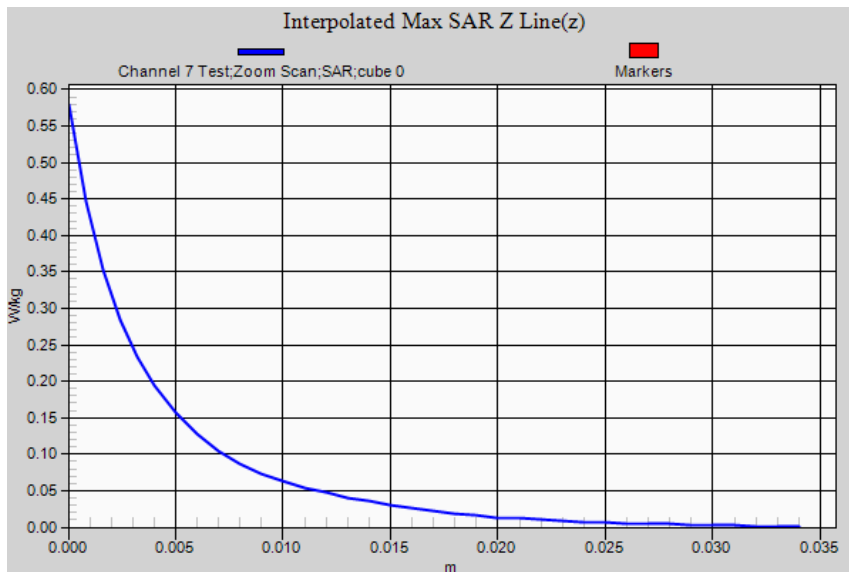


SAR Measurement Plot 11



Accredited for compliance with ISO/IEC 17025. The results of the test, calibrations and/or measurement included in this document are traceable to Australian/national standards. NATA is a signatory to the ILAC Mutual Recognition Arrangement for the mutual recognition of the equivalence of testing, calibration and inspection reports.

This document shall not be reproduced except in full.



Accredited for compliance with ISO/IEC 17025. The results of the test, calibrations and/or measurement included in this document are traceable to Australian/national standards. NATA is a signatory to the ILAC Mutual Recognition Arrangement for the mutual recognition of the equivalence of testing, calibration and inspection reports.

This document shall not be reproduced except in full.

Test Lab: EMCTech Test File: M161026 Tablet 2450 MHz WLAN FCC.da52:9

DUT Name: Fujitsu Tablet with 11 abgn/ac WLAN, Type: 8265NGW, Serial: WFM: 0028F800E556

Configuration: Edge 1 OFDM Antenna 2 27-10-16

Communication System: 0 - OFDM 2450 MHz HT0 (40MHz); Communication System Band: ISM 2.4 GHz;
 Frequency: 2457 MHz, Communication System PAR: 0.00 dB; PMF: 0.00; Duty Cycle: 1:1.00
 Medium Parameters used: $f=2457$ MHz; $\sigma = 1.96$ S/m; $\epsilon_r = 50.9$; $\rho = 1000.0\text{g/cm}^3$
 Phantom section: Flat Section

DASY Configuration:

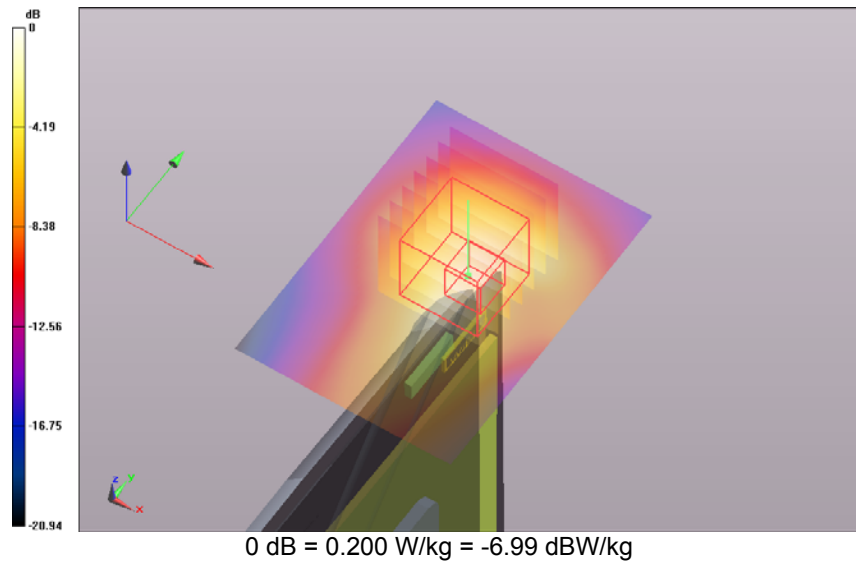
Probe: ET3DV6 - SN1380; ConvF: (4.18,4.18,4.18); Calibrated: 10/12/2015;
 Sensor-Surface: 4 mm (Mechanical Surface Detection (Locations From Previous Scan Used))
 Electronics: DAE3 Sn442; Calibrated: 7/12/2015
 Phantom: ELI 4.0; Type: QDOVA001BA; Serial: 1101
 DASY52 52.8.8(1222); SEMCAD X Version 14.6.10 (7331)

Edge 1 OFDM Antenna 2 27-10-16/Channel 10 Test/Area Scan (51x71x1): Interpolated grid: $dx=1.2$ mm, $dy=1.2$ mm; Maximum value of SAR (interpolated) = 0.200 W/kg

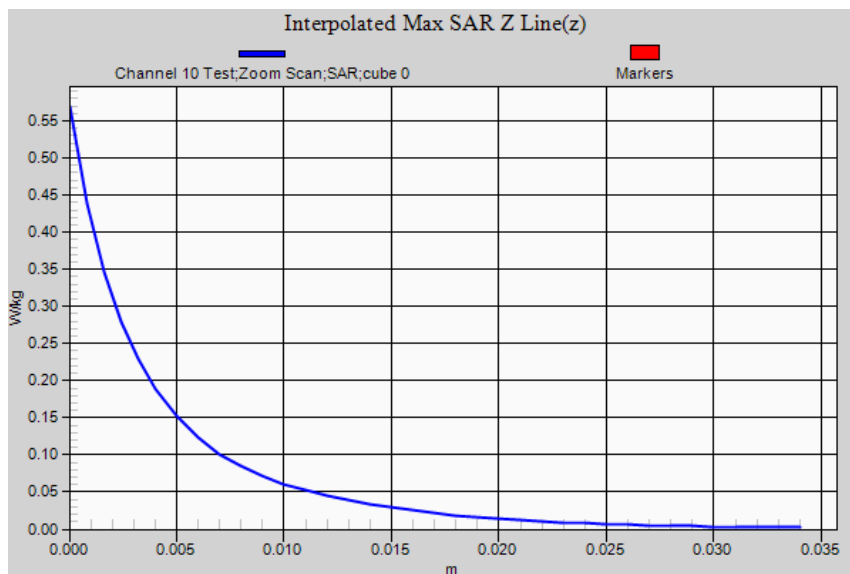
Edge 1 OFDM Antenna 2 27-10-16/Channel 10 Test/Zoom Scan (31x31x36)/Cube 0: Interpolated grid: $dx=1.0$ mm, $dy=1.0$ mm, $dz=1.0$ mm; Reference Value = 8.145 V/m; **Power Drift = 0.02 dB**

Averaged SAR: SAR(1g) = 0.171 W/kg; SAR(10g) = 0.075 W/kg

Maximum value of SAR (interpolated) = 0.569 W/kg



SAR Measurement Plot 12



Accredited for compliance with ISO/IEC 17025. The results of the test, calibrations and/or measurement included in this document are traceable to Australian/national standards. NATA is a signatory to the ILAC Mutual Recognition Arrangement for the mutual recognition of the equivalence of testing, calibration and inspection reports.

This document shall not be reproduced except in full.

Test Lab: EMCTech Test File: M161026 Tablet 2450 MHz WLAN FCC.da52:10

DUT Name: Fujitsu Tablet with 11 abgn/ac WLAN, Type: 8265NGW, Serial: WFM: 0028F800E556

Configuration: Edge 1 DSSS Antenna 2 27-10-16

Communication System: 0 - DSSS 2450 MHz 1Mbps; Communication System Band: ISM 2.4 GHz; Frequency: 2442 MHz, Communication System PAR: 0.00 dB; PMF: 1.00; Duty Cycle: 1:1.00
 Medium Parameters used: $f=2442$ MHz; $\sigma = 1.94$ S/m; $\epsilon_r = 51.0$; $\rho = 1000.0$ g/cm³
 Phantom section: Flat Section

DASY Configuration:

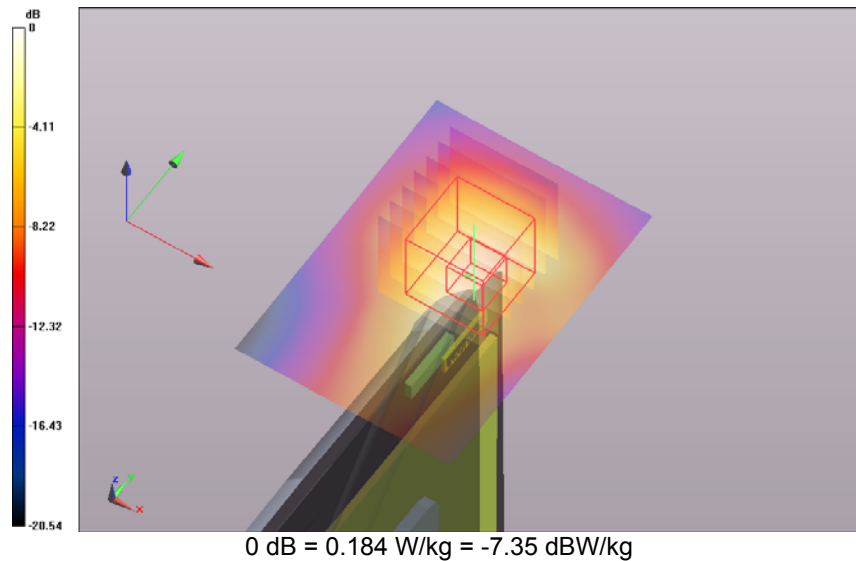
Probe: ET3DV6 - SN1380; ConvF: (4.18,4.18,4.18); Calibrated: 10/12/2015;
 Sensor-Surface: 4 mm (Mechanical Surface Detection)
 Electronics: DAE3 Sn442; Calibrated: 7/12/2015
 Phantom: ELI 4.0; Type: QDOVA001BA; Serial: 1101
 DASY52 52.8.8(1222); SEMCAD X Version 14.6.10 (7331)

Edge 1 DSSS Antenna 2 27-10-16/Channel 7 Test/Area Scan (51x71x1): Interpolated grid: dx=1.2 mm, dy=1.2 mm; Maximum value of SAR (interpolated) = 0.184 W/kg

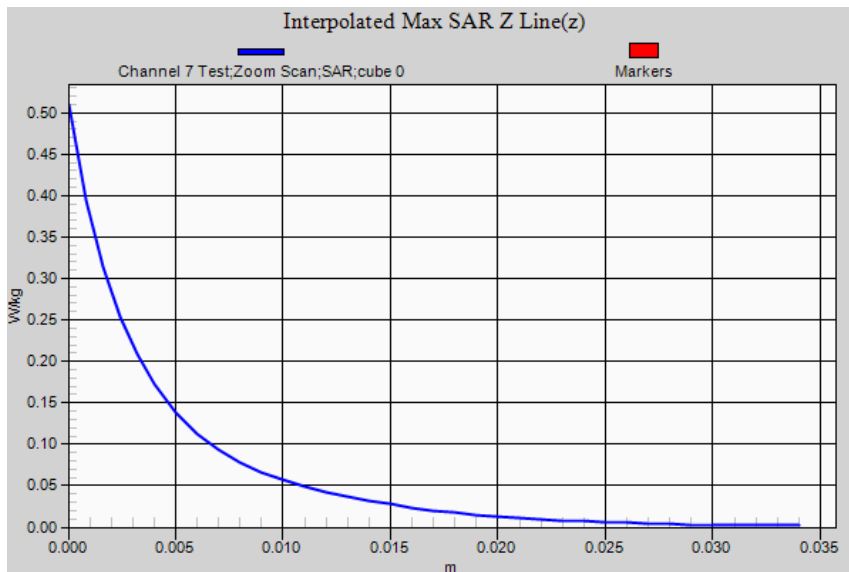
Edge 1 DSSS Antenna 2 27-10-16/Channel 7 Test/Zoom Scan (31x31x36)/Cube 0: Interpolated grid: dx=1.0 mm, dy=1.0 mm, dz=1.0 mm; Reference Value = 7.805 V/m; **Power Drift = -0.07 dB**

Averaged SAR: SAR(1g) = 0.157 W/kg; SAR(10g) = 0.070 W/kg

Maximum value of SAR (interpolated) = 0.509 W/kg



SAR Measurement Plot 13



Accredited for compliance with ISO/IEC 17025. The results of the test, calibrations and/or measurement included in this document are traceable to Australian/national standards. NATA is a signatory to the ILAC Mutual Recognition Arrangement for the mutual recognition of the equivalence of testing, calibration and inspection reports.

This document shall not be reproduced except in full.

Test Lab: EMCTech Test File: M161026 Tablet 2450 MHz WLAN FCC.da52:11

DUT Name: Fujitsu Tablet with 11 abgn/ac WLAN, Type: 8265NGW, Serial: WFM: 0028F800E556

Configuration: Edge 1 OFDM Antenna 1 27-10-16

Communication System: 0 - OFDM 2450 MHz HT0 (40MHz); Communication System Band: ISM 2.4 GHz;
 Frequency: 2422 MHz, Communication System PAR: 0.00 dB; PMF: 0.00; Duty Cycle: 1:1.00
 Medium Parameters used: $f=2422$ MHz; $\sigma = 1.90$ S/m; $\epsilon_r = 51.1$; $\rho = 1000.0\text{g/cm}^3$
 Phantom section: Flat Section

DASY Configuration:

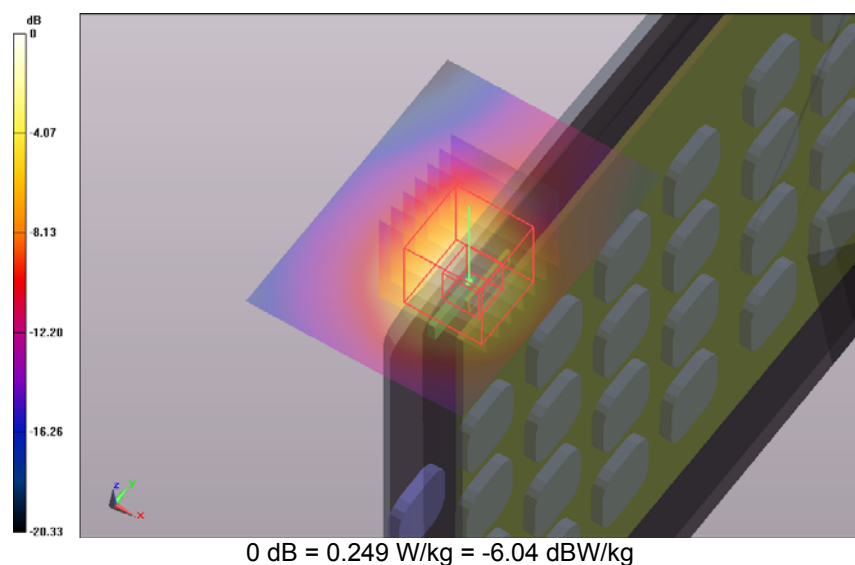
Probe: ET3DV6 - SN1380; ConvF: (4.18,4.18,4.18); Calibrated: 10/12/2015;
 Sensor-Surface: 4 mm (Mechanical Surface Detection (Locations From Previous Scan Used))
 Electronics: DAE3 Sn442; Calibrated: 7/12/2015
 Phantom: ELI 4.0; Type: QDOVA001BA; Serial: 1101
 DASY52 52.8.8(1222); SEMCAD X Version 14.6.10 (7331)

Edge 1 OFDM Antenna 1 27-10-16/Channel 3 Test/Area Scan (51x71x1): Interpolated grid: $dx=1.2$ mm, $dy=1.2$ mm; Maximum value of SAR (interpolated) = 0.249 W/kg

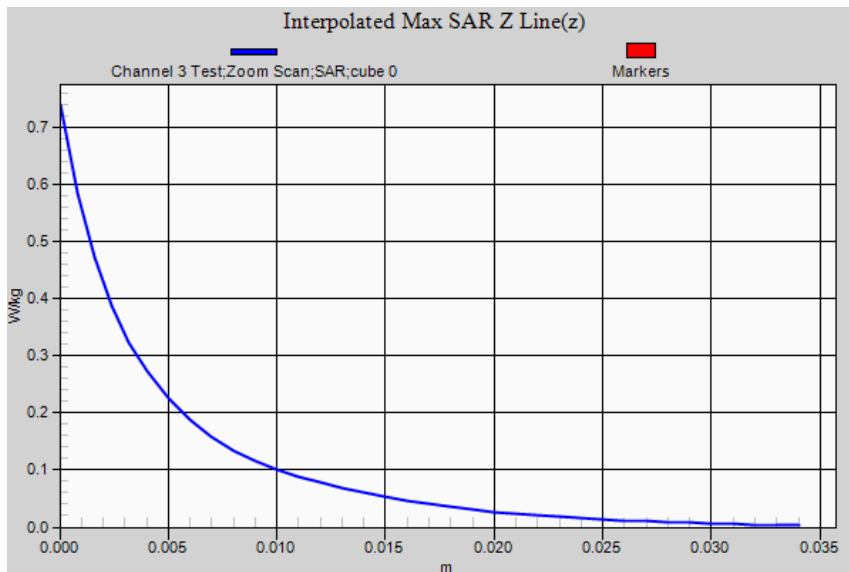
Edge 1 OFDM Antenna 1 27-10-16/Channel 3 Test/Zoom Scan (31x31x36)/Cube 0: Interpolated grid: $dx=1.0$ mm, $dy=1.0$ mm, $dz=1.0$ mm; Reference Value = 6.521 V/m; **Power Drift = -0.05 dB**

Averaged SAR: SAR(1g) = 0.245 W/kg; SAR(10g) = 0.096 W/kg

Maximum value of SAR (interpolated) = 0.740 W/kg



SAR Measurement Plot 14



Accredited for compliance with ISO/IEC 17025. The results of the test, calibrations and/or measurement included in this document are traceable to Australian/national standards. NATA is a signatory to the ILAC Mutual Recognition Arrangement for the mutual recognition of the equivalence of testing, calibration and inspection reports.

This document shall not be reproduced except in full.

Test Lab: EMCTech Test File: M161026 Tablet 2450 MHz WLAN FCC.da52:11

DUT Name: Fujitsu Tablet with 11 abgn/ac WLAN, Type: 8265NGW, Serial: WFM: 0028F800E556

Configuration: Edge 1 OFDM Antenna 1 27-10-16

Communication System: 0 - OFDM 2450 MHz HT0 (40MHz); Communication System Band: ISM 2.4 GHz;
 Frequency: 2437 MHz, Communication System PAR: 0.00 dB; PMF: 0.00; Duty Cycle: 1:1.00
 Medium Parameters used: $f=2437$ MHz; $\sigma = 1.93$ S/m; $\epsilon_r = 51.0$; $\rho = 1000.0\text{g/cm}^3$
 Phantom section: Flat Section

DASY Configuration:

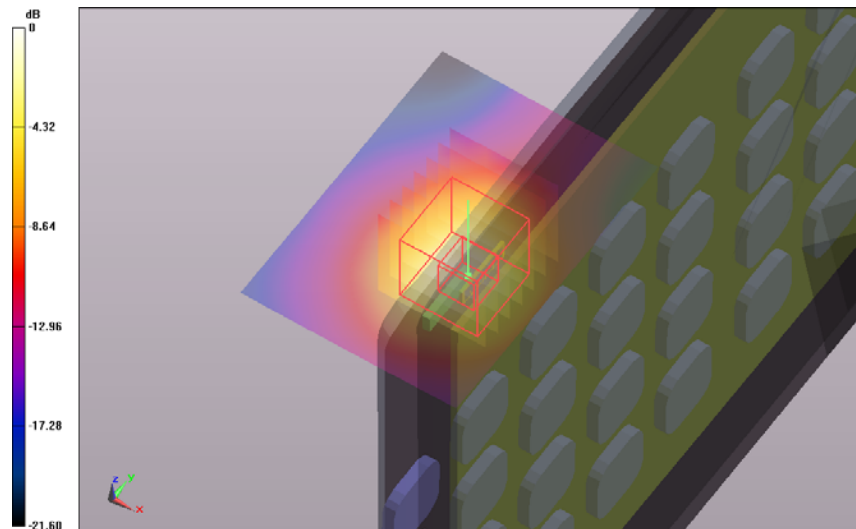
Probe: ET3DV6 - SN1380; ConvF: (4.18,4.18,4.18); Calibrated: 10/12/2015;
 Sensor-Surface: 4 mm (Mechanical Surface Detection (Locations From Previous Scan Used))
 Electronics: DAE3 Sn442; Calibrated: 7/12/2015
 Phantom: ELI 4.0; Type: QDOVA001BA; Serial: 1101
 DASY52 52.8.8(1222); SEMCAD X Version 14.6.10 (7331)

Edge 1 OFDM Antenna 1 27-10-16/Channel 6 Test/Area Scan (51x71x1): Interpolated grid: $dx=1.2$ mm, $dy=1.2$ mm; Maximum value of SAR (interpolated) = 0.255 W/kg

Edge 1 OFDM Antenna 1 27-10-16/Channel 6 Test/Zoom Scan (31x31x36)/Cube 0: Interpolated grid: $dx=1.0$ mm, $dy=1.0$ mm, $dz=1.0$ mm; Reference Value = 6.027 V/m; **Power Drift = -0.05 dB**

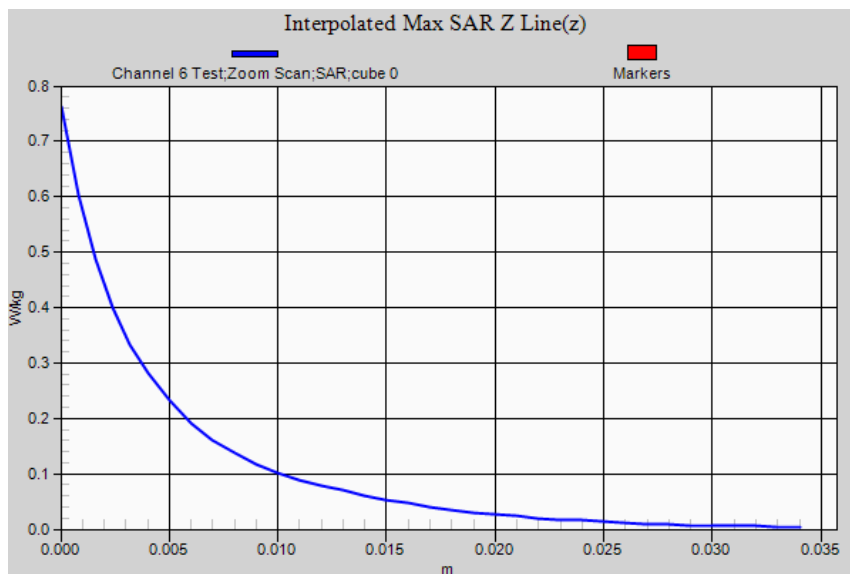
Averaged SAR: SAR(1g) = 0.250 W/kg; SAR(10g) = 0.096 W/kg

Maximum value of SAR (interpolated) = 0.762 W/kg



0 dB = 0.255 W/kg = -5.93 dBW/kg

SAR Measurement Plot 15



Accredited for compliance with ISO/IEC 17025. The results of the test, calibrations and/or measurement included in this document are traceable to Australian/national standards. NATA is a signatory to the ILAC Mutual Recognition Arrangement for the mutual recognition of the equivalence of testing, calibration and inspection reports.

This document shall not be reproduced except in full.

Test Lab: EMCTech Test File: M161026 Tablet 2450 MHz WLAN FCC.da52:11

DUT Name: Fujitsu Tablet with 11 abgn/ac WLAN, Type: 8265NGW, Serial: WFM: 0028F800E556

Configuration: Edge 1 OFDM Antenna 1 27-10-16

Communication System: 0 - OFDM 2450 MHz HT0 (40MHz); Communication System Band: ISM 2.4 GHz;
 Frequency: 2442 MHz, Communication System PAR: 0.00 dB; PMF: 0.00; Duty Cycle: 1:1.00
 Medium Parameters used: $f=2442$ MHz; $\sigma = 1.94$ S/m; $\epsilon_r = 51.0$; $\rho = 1000.0\text{g/cm}^3$
 Phantom section: Flat Section

DASY Configuration:

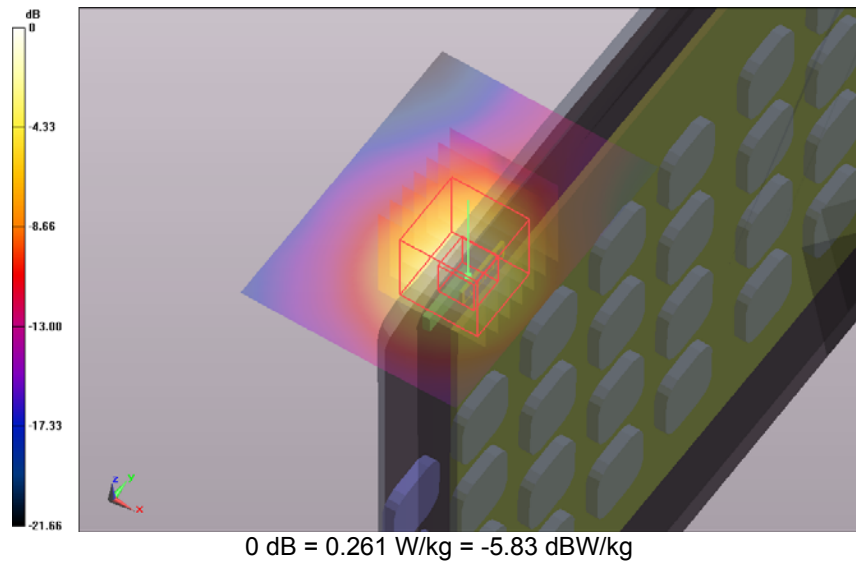
Probe: ET3DV6 - SN1380; ConvF: (4.18,4.18,4.18); Calibrated: 10/12/2015;
 Sensor-Surface: 4 mm (Mechanical Surface Detection (Locations From Previous Scan Used))
 Electronics: DAE3 Sn442; Calibrated: 7/12/2015
 Phantom: ELI 4.0; Type: QDOVA001BA; Serial: 1101
 DASY52 52.8.8(1222); SEMCAD X Version 14.6.10 (7331)

Edge 1 OFDM Antenna 1 27-10-16/Channel 7 Test/Area Scan (51x71x1): Interpolated grid: $dx=1.2$ mm, $dy=1.2$ mm; Maximum value of SAR (interpolated) = 0.261 W/kg

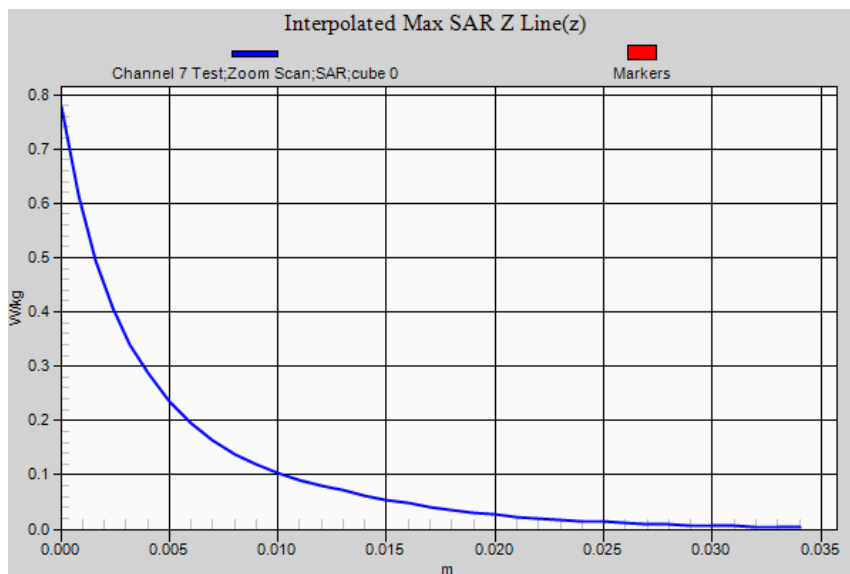
Edge 1 OFDM Antenna 1 27-10-16/Channel 7 Test/Zoom Scan (31x31x36)/Cube 0: Interpolated grid: $dx=1.0$ mm, $dy=1.0$ mm, $dz=1.0$ mm; Reference Value = 5.912 V/m; **Power Drift = -0.07 dB**

Averaged SAR: SAR(1g) = 0.255 W/kg; SAR(10g) = 0.098 W/kg

Maximum value of SAR (interpolated) = 0.777 W/kg



SAR Measurement Plot 16



Accredited for compliance with ISO/IEC 17025. The results of the test, calibrations and/or measurement included in this document are traceable to Australian/national standards. NATA is a signatory to the ILAC Mutual Recognition Arrangement for the mutual recognition of the equivalence of testing, calibration and inspection reports.

This document shall not be reproduced except in full.

Test Lab: EMCTech Test File: M161026 Tablet 2450 MHz WLAN FCC.da52:11

DUT Name: Fujitsu Tablet with 11 abgn/ac WLAN, Type: 8265NGW, Serial: WFM: 0028F800E556

Configuration: Edge 1 OFDM Antenna 1 27-10-16

Communication System: 0 - OFDM 2450 MHz HT0 (20MHz); Communication System Band: ISM 2.4 GHz;
 Frequency: 2462 MHz, Communication System PAR: 0.00 dB; PMF: 1.00; Duty Cycle: 1:1.00
 Medium Parameters used: $f=2462$ MHz; $\sigma = 1.97$ S/m; $\epsilon_r = 50.9$; $\rho = 1000.0$ g/cm³
 Phantom section: Flat Section

DASY Configuration:

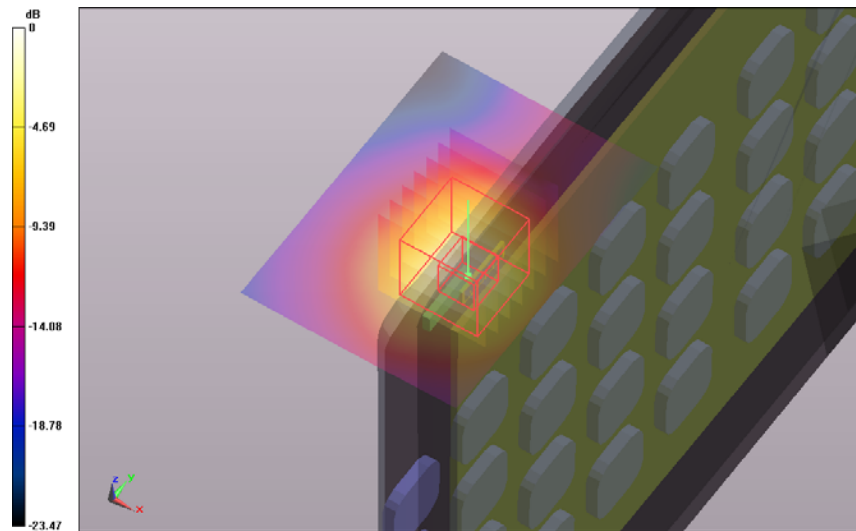
Probe: ET3DV6 - SN1380; ConvF: (4.18,4.18,4.18); Calibrated: 10/12/2015;
 Sensor-Surface: 4 mm (Mechanical Surface Detection (Locations From Previous Scan Used))
 Electronics: DAE3 Sn442; Calibrated: 7/12/2015
 Phantom: ELI 4.0; Type: QDOVA001BA; Serial: 1101
 DASY52 52.8.8(1222); SEMCAD X Version 14.6.10 (7331)

Edge 1 OFDM Antenna 1 27-10-16/Channel 11 Test/Area Scan (51x71x1): Interpolated grid: dx=1.2 mm, dy=1.2 mm; Maximum value of SAR (interpolated) = 0.323 W/kg

Edge 1 OFDM Antenna 1 27-10-16/Channel 11 Test/Zoom Scan (31x31x36)/Cube 0: Interpolated grid: dx=1.0 mm, dy=1.0 mm, dz=1.0 mm; Reference Value = 6.607 V/m; **Power Drift = -0.05 dB**

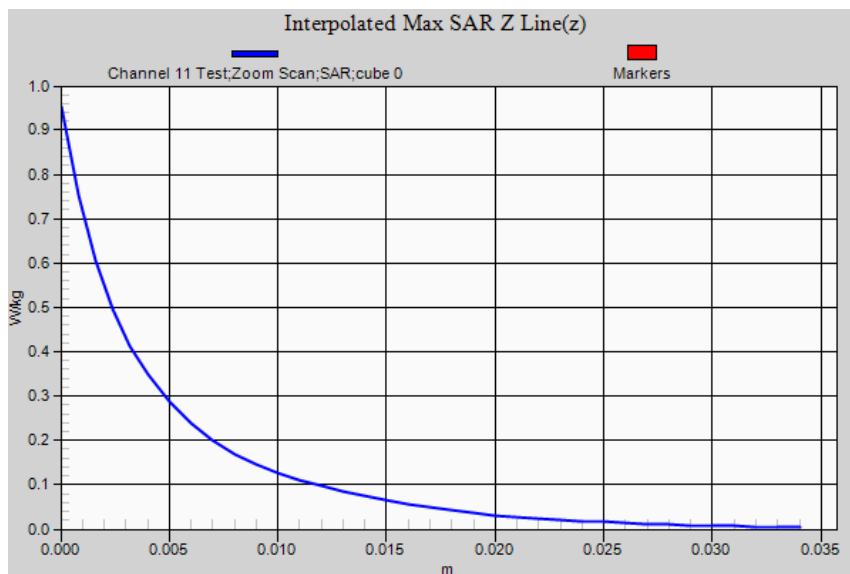
Averaged SAR: SAR(1g) = 0.315 W/kg; SAR(10g) = 0.120 W/kg

Maximum value of SAR (interpolated) = 0.952 W/kg



0 dB = 0.323 W/kg = -4.91 dBW/kg

SAR Measurement Plot 17



Accredited for compliance with ISO/IEC 17025. The results of the test, calibrations and/or measurement included in this document are traceable to Australian/national standards. NATA is a signatory to the ILAC Mutual Recognition Arrangement for the mutual recognition of the equivalence of testing, calibration and inspection reports.

This document shall not be reproduced except in full.

Test Lab: EMCTech Test File: M161026 Tablet 2450 MHz WLAN FCC.da52:12

DUT Name: Fujitsu Tablet with 11 abgn/ac WLAN, Type: 8265NGW, Serial: WFM: 0028F800E556

Configuration: Edge 1 DSSS Antenna 1 27-10-16

Communication System: 0 - DSSS 2450 MHz 1Mbps; Communication System Band: ISM 2.4 GHz; Frequency: 2442 MHz, Communication System PAR: 0.00 dB; PMF: 1.00; Duty Cycle: 1:1.00
 Medium Parameters used: $f=2442$ MHz; $\sigma = 1.94$ S/m; $\epsilon_r = 51.0$; $\rho = 1000.0$ g/cm³
 Phantom section: Flat Section

DASY Configuration:

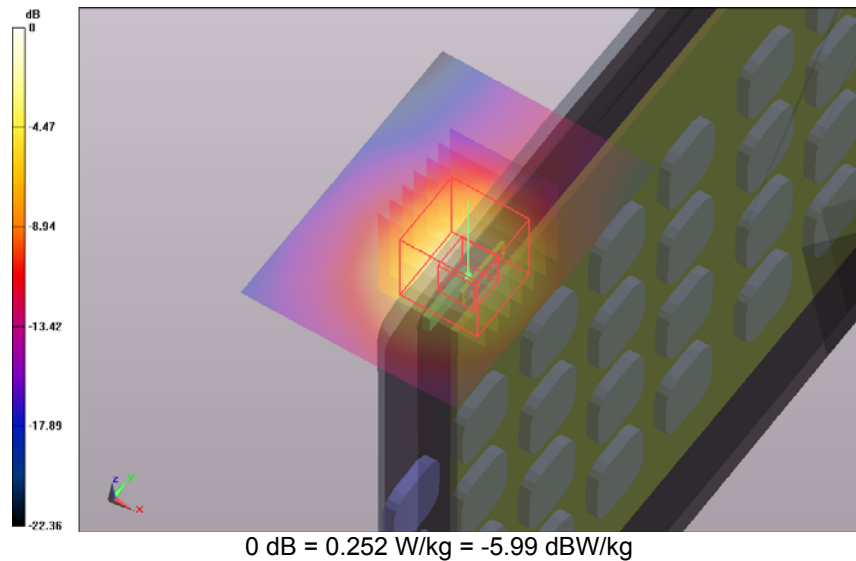
Probe: ET3DV6 - SN1380; ConvF: (4.18,4.18,4.18); Calibrated: 10/12/2015;
 Sensor-Surface: 4 mm (Mechanical Surface Detection)
 Electronics: DAE3 Sn442; Calibrated: 7/12/2015
 Phantom: ELI 4.0; Type: QDOVA001BA; Serial: 1101
 DASY52 52.8.8(1222); SEMCAD X Version 14.6.10 (7331)

Edge 1 DSSS Antenna 1 27-10-16/Channel 7 Test/Area Scan (51x71x1): Interpolated grid: dx=1.2 mm, dy=1.2 mm; Maximum value of SAR (interpolated) = 0.252 W/kg

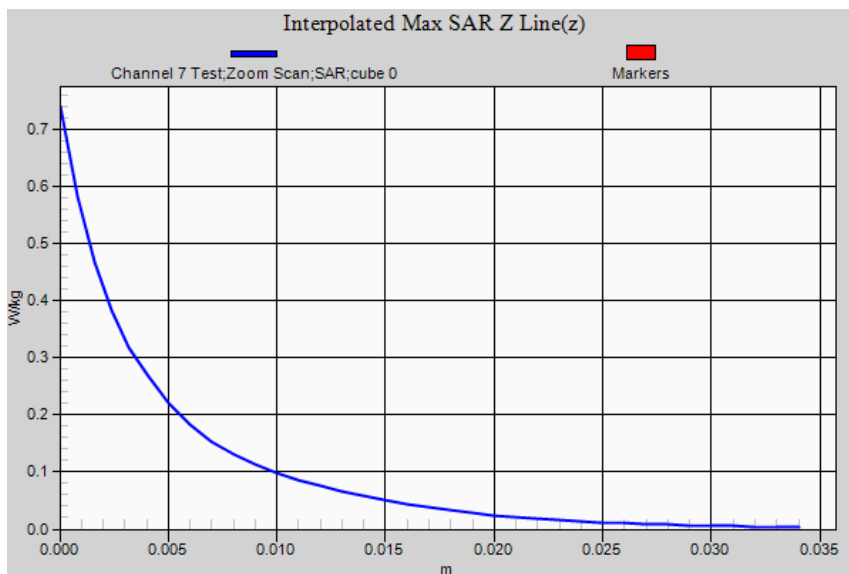
Edge 1 DSSS Antenna 1 27-10-16/Channel 7 Test/Zoom Scan (31x31x36)/Cube 0: Interpolated grid: dx=1.0 mm, dy=1.0 mm, dz=1.0 mm; Reference Value = 5.798 V/m; **Power Drift = -0.06 dB**

Averaged SAR: SAR(1g) = 0.242 W/kg; SAR(10g) = 0.093 W/kg

Maximum value of SAR (interpolated) = 0.740 W/kg



SAR Measurement Plot 18



Accredited for compliance with ISO/IEC 17025. The results of the test, calibrations and/or measurement included in this document are traceable to Australian/national standards. NATA is a signatory to the ILAC Mutual Recognition Arrangement for the mutual recognition of the equivalence of testing, calibration and inspection reports.

This document shall not be reproduced except in full.

Test Lab: EMCTech Test File: M161026 Tablet 2450 MHz WLAN FCC.da52:13

DUT Name: Fujitsu Tablet with 11 abgn/ac WLAN, Type: 8265NGW, Serial: WFM: 0028F800E556

Configuration: Edge 2 OFDM Antenna 2 27-10-16

Communication System: 0 - OFDM 2450 MHz HT0 (40MHz); Communication System Band: ISM 2.4 GHz;
 Frequency: 2422 MHz, Communication System PAR: 0.00 dB; PMF: 0.00; Duty Cycle: 1:1.00
 Medium Parameters used: $f=2422$ MHz; $\sigma = 1.90$ S/m; $\epsilon_r = 51.1$; $\rho = 1000.0\text{g/cm}^3$
 Phantom section: Flat Section

DASY Configuration:

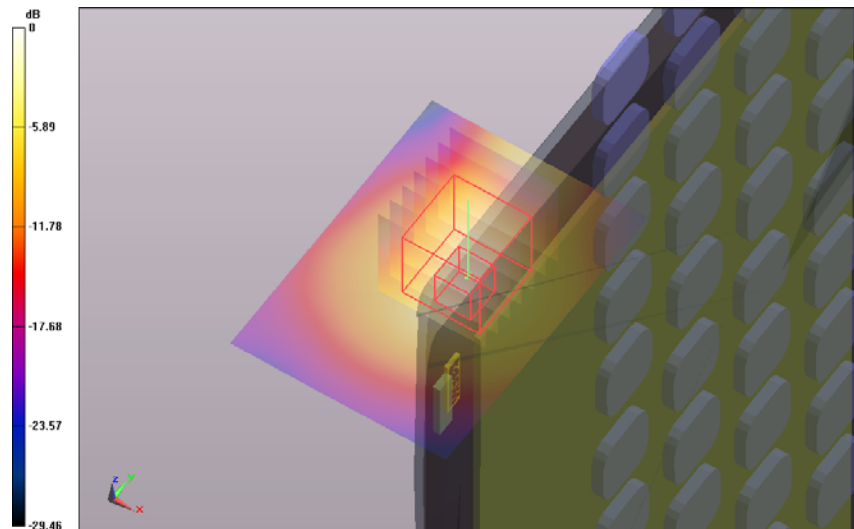
Probe: ET3DV6 - SN1380; ConvF: (4.18,4.18,4.18); Calibrated: 10/12/2015;
 Sensor-Surface: 4 mm (Mechanical Surface Detection (Locations From Previous Scan Used))
 Electronics: DAE3 Sn442; Calibrated: 7/12/2015
 Phantom: ELI 4.0; Type: QDOVA001BA; Serial: 1101
 DASY52 52.8.8(1222); SEMCAD X Version 14.6.10 (7331)

Edge 2 OFDM Antenna 2 27-10-16/Channel 3 Test/Area Scan (51x71x1): Interpolated grid: $dx=1.2$ mm, $dy=1.2$ mm; Maximum value of SAR (interpolated) = 0.252 W/kg

Edge 2 OFDM Antenna 2 27-10-16/Channel 3 Test/Zoom Scan (31x31x36)/Cube 0: Interpolated grid: $dx=1.0$ mm, $dy=1.0$ mm, $dz=1.0$ mm; Reference Value = 10.842 V/m; **Power Drift = -0.03 dB**

Averaged SAR: SAR(1g) = 0.243 W/kg; SAR(10g) = 0.102 W/kg

Maximum value of SAR (interpolated) = 0.774 W/kg



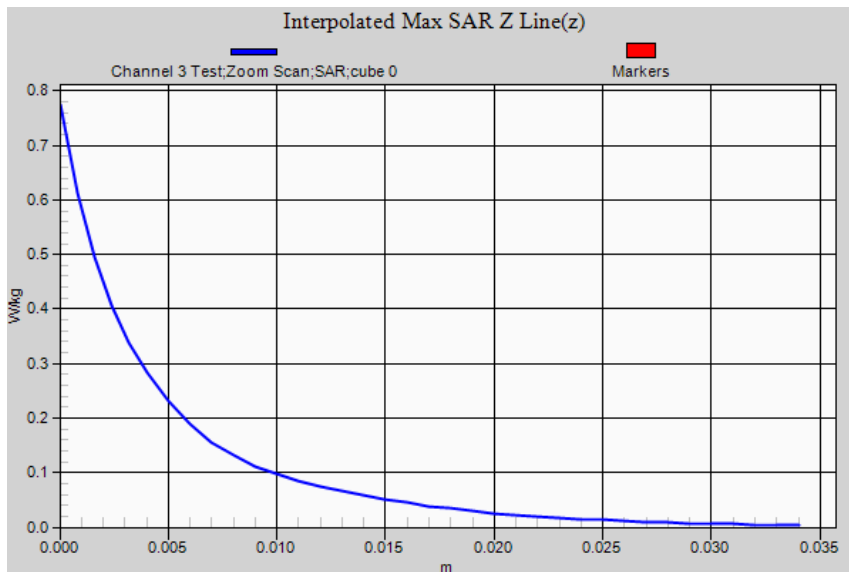
0 dB = 0.252 W/kg = -5.99 dBW/kg

SAR Measurement Plot 19



Accredited for compliance with ISO/IEC 17025. The results of the test, calibrations and/or measurement included in this document are traceable to Australian/national standards. NATA is a signatory to the ILAC Mutual Recognition Arrangement for the mutual recognition of the equivalence of testing, calibration and inspection reports.

This document shall not be reproduced except in full.



Accredited for compliance with ISO/IEC 17025. The results of the test, calibrations and/or measurement included in this document are traceable to Australian/national standards. NATA is a signatory to the ILAC Mutual Recognition Arrangement for the mutual recognition of the equivalence of testing, calibration and inspection reports.

This document shall not be reproduced except in full.

Test Lab: EMCTech Test File: M161026 Tablet 2450 MHz WLAN FCC.da52:13

DUT Name: Fujitsu Tablet with 11 abgn/ac WLAN, Type: 8265NGW, Serial: WFM: 0028F800E556

Configuration: Edge 2 OFDM Antenna 2 27-10-16

Communication System: 0 - OFDM 2450 MHz HT0 (40MHz); Communication System Band: ISM 2.4 GHz;
 Frequency: 2437 MHz, Communication System PAR: 0.00 dB; PMF: 0.00; Duty Cycle: 1:1.00
 Medium Parameters used: $f=2437$ MHz; $\sigma = 1.93$ S/m; $\epsilon_r = 51.0$; $\rho = 1000.0$ g/cm³
 Phantom section: Flat Section

DASY Configuration:

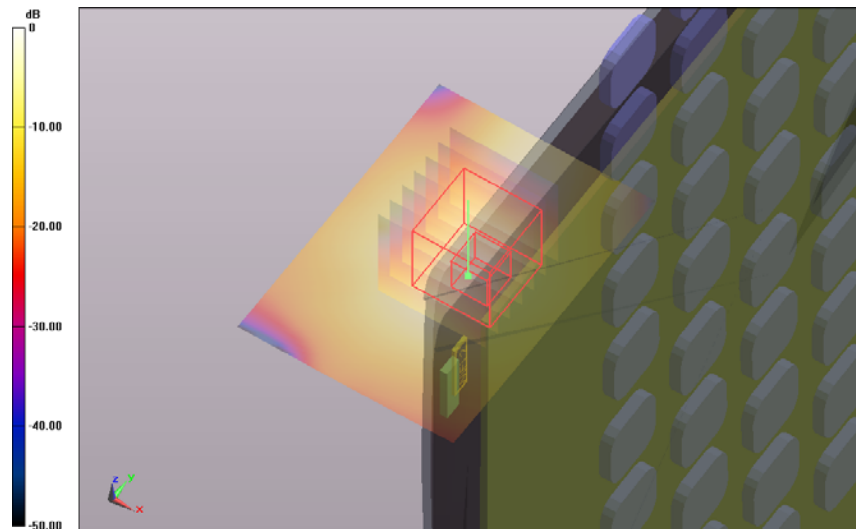
Probe: ET3DV6 - SN1380; ConvF: (4.18,4.18,4.18); Calibrated: 10/12/2015;
 Sensor-Surface: 4 mm (Mechanical Surface Detection (Locations From Previous Scan Used))
 Electronics: DAE3 Sn442; Calibrated: 7/12/2015
 Phantom: ELI 4.0; Type: QDOVA001BA; Serial: 1101
 DASY52 52.8.8(1222); SEMCAD X Version 14.6.10 (7331)

Edge 2 OFDM Antenna 2 27-10-16/Channel 6 Test/Area Scan (51x71x1): Interpolated grid: dx=1.2 mm, dy=1.2 mm; Maximum value of SAR (interpolated) = 0.228 W/kg

Edge 2 OFDM Antenna 2 27-10-16/Channel 6 Test/Zoom Scan (31x31x36)/Cube 0: Interpolated grid: dx=1.0 mm, dy=1.0 mm, dz=1.0 mm; Reference Value = 10.762 V/m; **Power Drift = -0.05 dB**

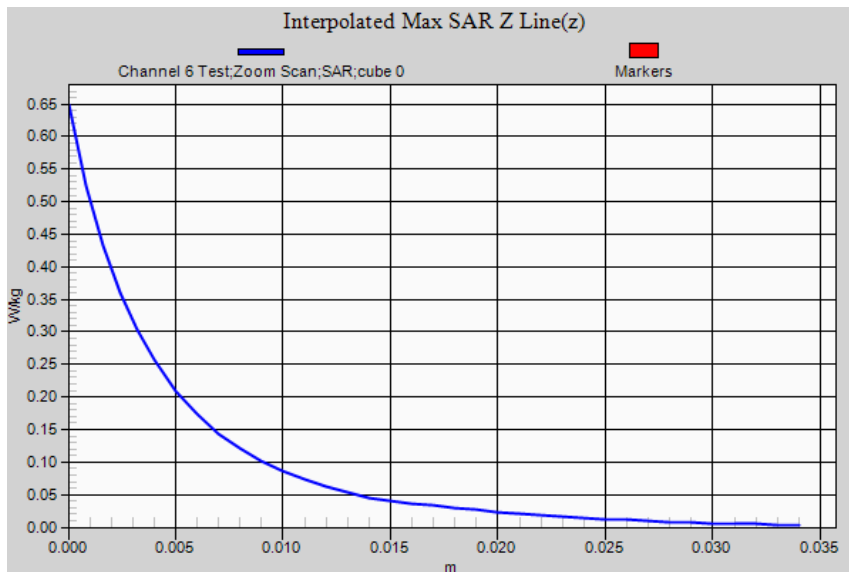
Averaged SAR: SAR(1g) = 0.213 W/kg; SAR(10g) = 0.088 W/kg

Maximum value of SAR (interpolated) = 0.649 W/kg



0 dB = 0.228 W/kg = -6.42 dBW/kg

SAR Measurement Plot 20



Accredited for compliance with ISO/IEC 17025. The results of the test, calibrations and/or measurement included in this document are traceable to Australian/national standards. NATA is a signatory to the ILAC Mutual Recognition Arrangement for the mutual recognition of the equivalence of testing, calibration and inspection reports.

This document shall not be reproduced except in full.

Test Lab: EMCTech Test File: M161026 Tablet 2450 MHz WLAN FCC.da52:13

DUT Name: Fujitsu Tablet with 11 abgn/ac WLAN, Type: 8265NGW, Serial: WFM: 0028F800E556

Configuration: Edge 2 OFDM Antenna 2 27-10-16

Communication System: 0 - OFDM 2450 MHz HT0 (40MHz); Communication System Band: ISM 2.4 GHz;
 Frequency: 2442 MHz, Communication System PAR: 0.00 dB; PMF: 0.00; Duty Cycle: 1:1.00
 Medium Parameters used: $f=2442$ MHz; $\sigma = 1.94$ S/m; $\epsilon_r = 51.0$; $\rho = 1000.0\text{g/cm}^3$
 Phantom section: Flat Section

DASY Configuration:

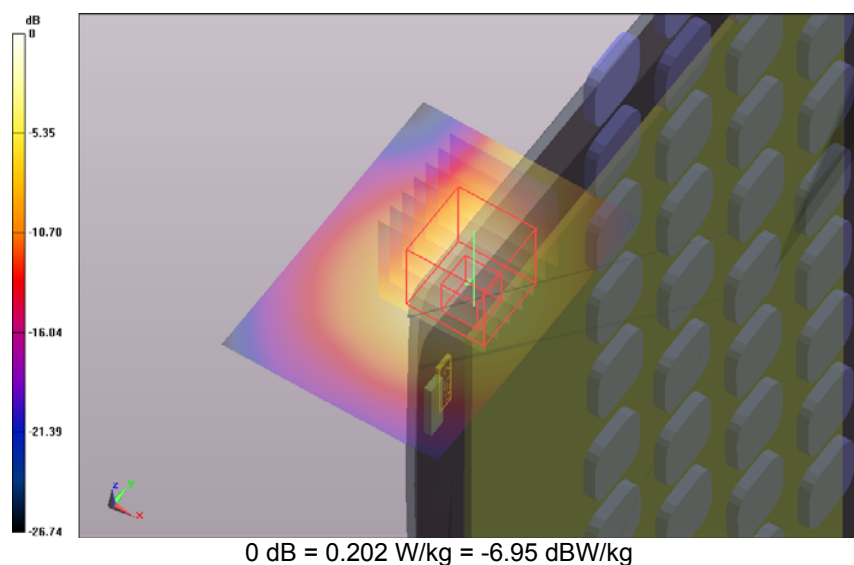
Probe: ET3DV6 - SN1380; ConvF: (4.18,4.18,4.18); Calibrated: 10/12/2015;
 Sensor-Surface: 4 mm (Mechanical Surface Detection (Locations From Previous Scan Used))
 Electronics: DAE3 Sn442; Calibrated: 7/12/2015
 Phantom: ELI 4.0; Type: QDOVA001BA; Serial: 1101
 DASY52 52.8.8(1222); SEMCAD X Version 14.6.10 (7331)

Edge 2 OFDM Antenna 2 27-10-16/Channel 7 Test/Area Scan (51x71x1): Interpolated grid: $dx=1.2$ mm, $dy=1.2$ mm; Maximum value of SAR (interpolated) = 0.202 W/kg

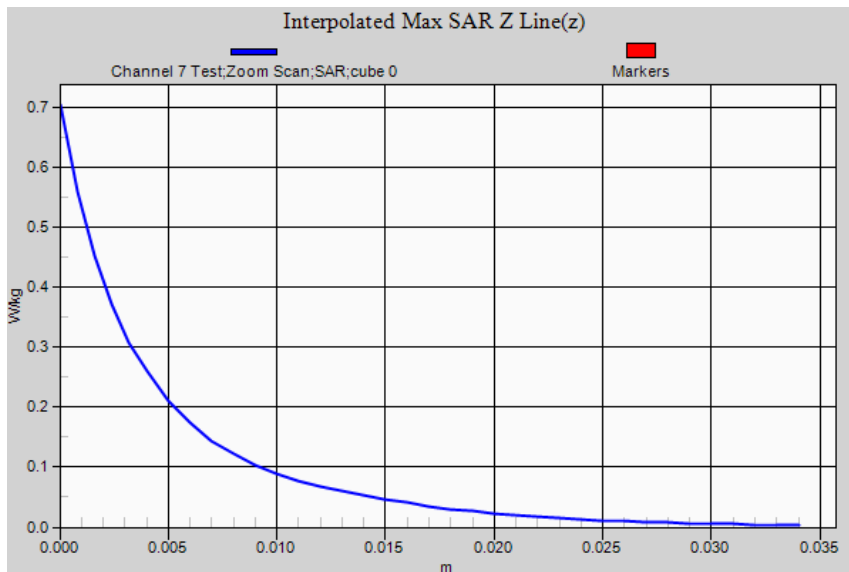
Edge 2 OFDM Antenna 2 27-10-16/Channel 7 Test/Zoom Scan (31x31x36)/Cube 0: Interpolated grid: $dx=1.0$ mm, $dy=1.0$ mm, $dz=1.0$ mm; Reference Value = 9.629 V/m; **Power Drift = 0.02 dB**

Averaged SAR: SAR(1g) = 0.222 W/kg; SAR(10g) = 0.092 W/kg

Maximum value of SAR (interpolated) = 0.703 W/kg



SAR Measurement Plot 21



Accredited for compliance with ISO/IEC 17025. The results of the test, calibrations and/or measurement included in this document are traceable to Australian/national standards. NATA is a signatory to the ILAC Mutual Recognition Arrangement for the mutual recognition of the equivalence of testing, calibration and inspection reports.

This document shall not be reproduced except in full.

Test Lab: EMCTech Test File: M161026 Tablet 2450 MHz WLAN FCC.da52:13

DUT Name: Fujitsu Tablet with 11 abgn/ac WLAN, Type: 8265NGW, Serial: WFM: 0028F800E556

Configuration: Edge 2 OFDM Antenna 2 27-10-16

Communication System: 0 - OFDM 2450 MHz HT0 (40MHz); Communication System Band: ISM 2.4 GHz;
 Frequency: 2457 MHz, Communication System PAR: 0.00 dB; PMF: 0.00; Duty Cycle: 1:1.00
 Medium Parameters used: $f=2457$ MHz; $\sigma = 1.96$ S/m; $\epsilon_r = 50.9$; $\rho = 1000.0\text{g/cm}^3$
 Phantom section: Flat Section

DASY Configuration:

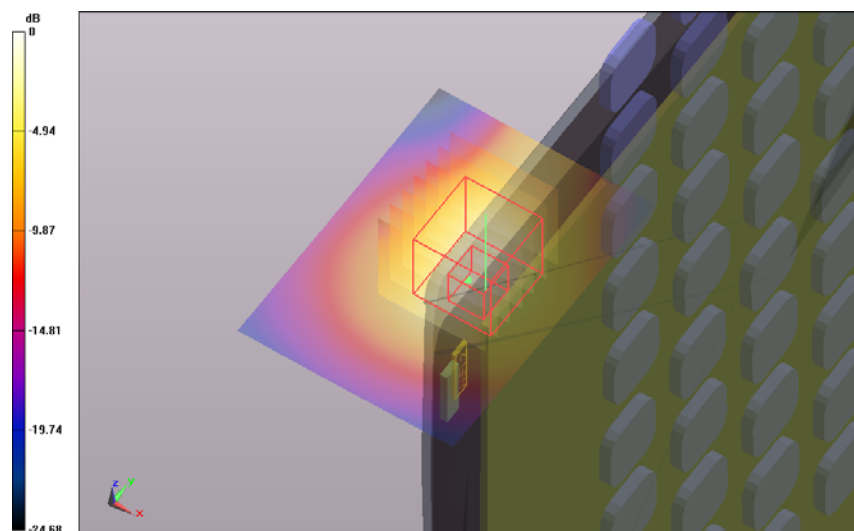
Probe: ET3DV6 - SN1380; ConvF: (4.18,4.18,4.18); Calibrated: 10/12/2015;
 Sensor-Surface: 4 mm (Mechanical Surface Detection (Locations From Previous Scan Used))
 Electronics: DAE3 Sn442; Calibrated: 7/12/2015
 Phantom: ELI 4.0; Type: QDOVA001BA; Serial: 1101
 DASY52 52.8.8(1222); SEMCAD X Version 14.6.10 (7331)

Edge 2 OFDM Antenna 2 27-10-16/Channel 10 Test/Area Scan (51x71x1): Interpolated grid: $dx=1.2$ mm, $dy=1.2$ mm; Maximum value of SAR (interpolated) = 0.215 W/kg

Edge 2 OFDM Antenna 2 27-10-16/Channel 10 Test/Zoom Scan (31x31x36)/Cube 0: Interpolated grid: $dx=1.0$ mm, $dy=1.0$ mm, $dz=1.0$ mm; Reference Value = 10.675 V/m; **Power Drift = -0.07 dB**

Averaged SAR: SAR(1g) = 0.218 W/kg; SAR(10g) = 0.090 W/kg

Maximum value of SAR (interpolated) = 0.698 W/kg



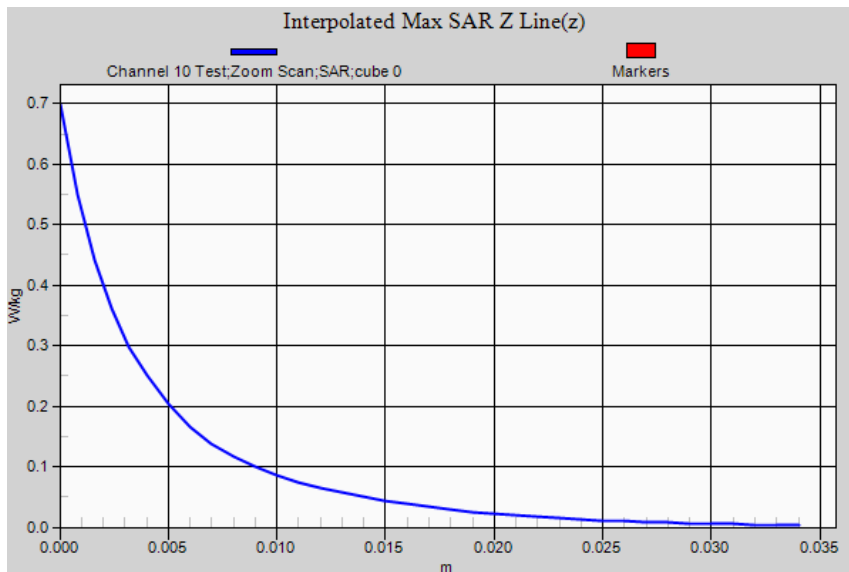
0 dB = 0.215 W/kg = -6.68 dBW/kg

SAR Measurement Plot 22



Accredited for compliance with ISO/IEC 17025. The results of the test, calibrations and/or measurement included in this document are traceable to Australian/national standards. NATA is a signatory to the ILAC Mutual Recognition Arrangement for the mutual recognition of the equivalence of testing, calibration and inspection reports.

This document shall not be reproduced except in full.



Accredited for compliance with ISO/IEC 17025. The results of the test, calibrations and/or measurement included in this document are traceable to Australian/national standards. NATA is a signatory to the ILAC Mutual Recognition Arrangement for the mutual recognition of the equivalence of testing, calibration and inspection reports.

This document shall not be reproduced except in full.

Test Lab: EMCTech Test File: M161026 Tablet 2450 MHz WLAN FCC.da52:14

DUT Name: Fujitsu Tablet with 11 abgn/ac WLAN, Type: 8265NGW, Serial: WFM: 0028F800E556

Configuration: Edge 2 DSSS Antenna 2 27-10-16

Communication System: 0 - DSSS 2450 MHz 1Mbps; Communication System Band: ISM 2.4 GHz; Frequency: 2442 MHz, Communication System PAR: 0.00 dB; PMF: 1.00; Duty Cycle: 1:1.00
 Medium Parameters used: $f=2442$ MHz; $\sigma = 1.94$ S/m; $\epsilon_r = 51.0$; $\rho = 1000.0$ g/cm³
 Phantom section: Flat Section

DASY Configuration:

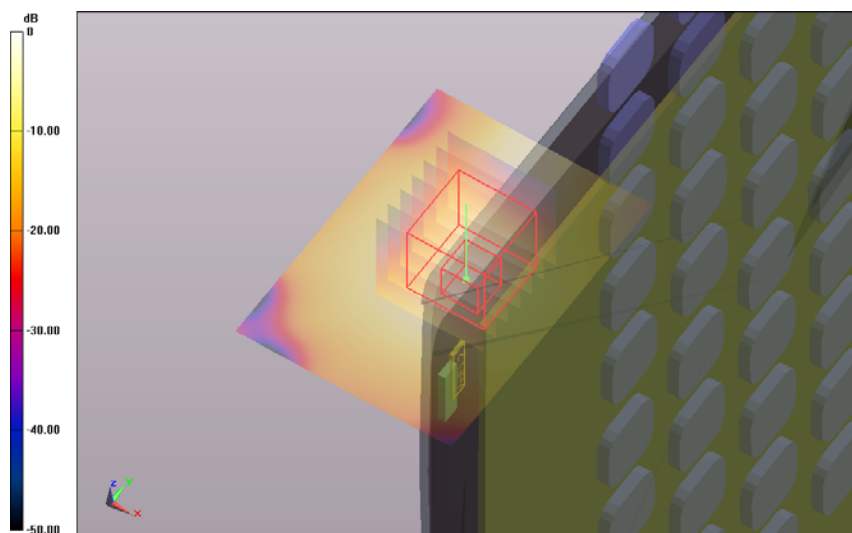
Probe: ET3DV6 - SN1380; ConvF: (4.18,4.18,4.18); Calibrated: 10/12/2015;
 Sensor-Surface: 4 mm (Mechanical Surface Detection)
 Electronics: DAE3 Sn442; Calibrated: 7/12/2015
 Phantom: ELI 4.0; Type: QDOVA001BA; Serial: 1101
 DASY52 52.8.8(1222); SEMCAD X Version 14.6.10 (7331)

Edge 2 DSSS Antenna 2 27-10-16/Channel 7 Test/Area Scan (51x71x1): Interpolated grid: dx=1.2 mm, dy=1.2 mm; Maximum value of SAR (interpolated) = 0.224 W/kg

Edge 2 DSSS Antenna 2 27-10-16/Channel 7 Test/Zoom Scan (31x31x36)/Cube 0: Interpolated grid: dx=1.0 mm, dy=1.0 mm, dz=1.0 mm; Reference Value = 10.387 V/m; **Power Drift = 0.05 dB**

Averaged SAR: SAR(1g) = 0.209 W/kg; SAR(10g) = 0.087 W/kg

Maximum value of SAR (interpolated) = 0.671 W/kg



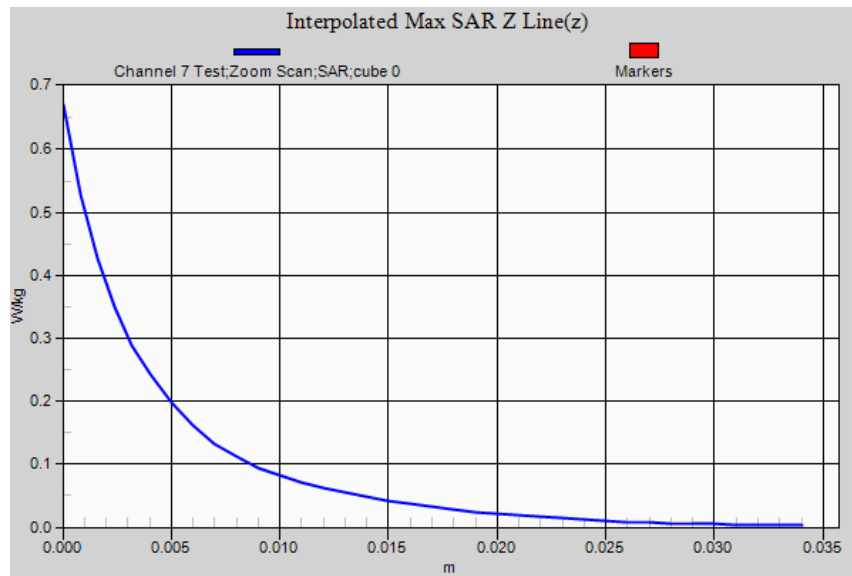
0 dB = 0.224 W/kg = -6.50 dBW/kg

SAR Measurement Plot 23



Accredited for compliance with ISO/IEC 17025. The results of the test, calibrations and/or measurement included in this document are traceable to Australian/national standards. NATA is a signatory to the ILAC Mutual Recognition Arrangement for the mutual recognition of the equivalence of testing, calibration and inspection reports.

This document shall not be reproduced except in full.



Accredited for compliance with ISO/IEC 17025. The results of the test, calibrations and/or measurement included in this document are traceable to Australian/national standards. NATA is a signatory to the ILAC Mutual Recognition Arrangement for the mutual recognition of the equivalence of testing, calibration and inspection reports.

This document shall not be reproduced except in full.

Test Lab: EMCTech Test File: M161026 Tablet 2450 MHz WLAN FCC.da52:15

DUT Name: Fujitsu Tablet with 11 abgn/ac WLAN, Type: 8265NGW, Serial: WFM: 0028F800E556

Configuration: Edge 4 OFDM Antenna 1 28-10-16

Communication System: 0 - OFDM 2450 MHz HT0 (40MHz); Communication System Band: ISM 2.4 GHz;
 Frequency: 2422 MHz, Communication System PAR: 0.00 dB; PMF: 0.00; Duty Cycle: 1:1.00
 Medium Parameters used: $f=2422$ MHz; $\sigma = 1.87$ S/m; $\epsilon_r = 51.1$; $\rho = 1000.0$ g/cm³
 Phantom section: Flat Section

DASY Configuration:

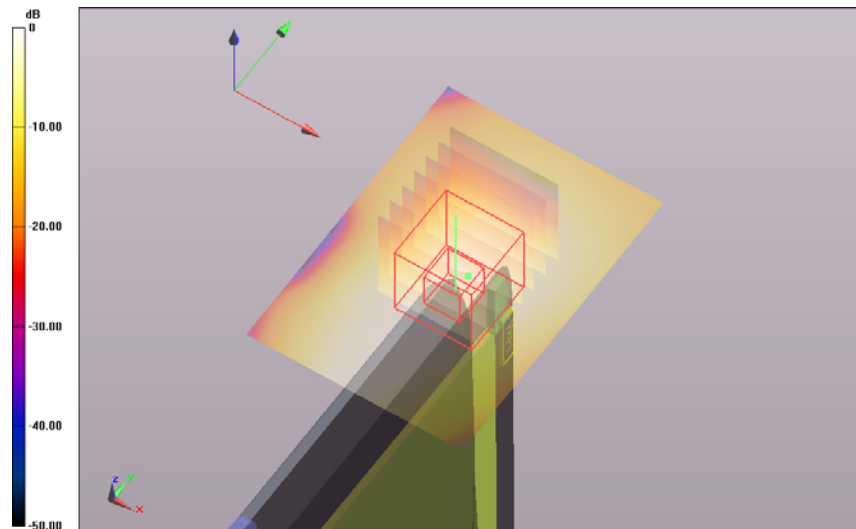
Probe: ET3DV6 - SN1380; ConvF: (4.18,4.18,4.18); Calibrated: 10/12/2015;
 Sensor-Surface: 4 mm (Mechanical Surface Detection (Locations From Previous Scan Used))
 Electronics: DAE3 Sn442; Calibrated: 7/12/2015
 Phantom: ELI 4.0; Type: QDOVA001BA; Serial: 1101
 DASY52 52.8.8(1222); SEMCAD X Version 14.6.10 (7331)

Edge 4 OFDM Antenna 1 28-10-16/Channel 3 Test/Area Scan (51x71x1): Interpolated grid: dx=1.2 mm, dy=1.2 mm; Maximum value of SAR (interpolated) = 0.145 W/kg

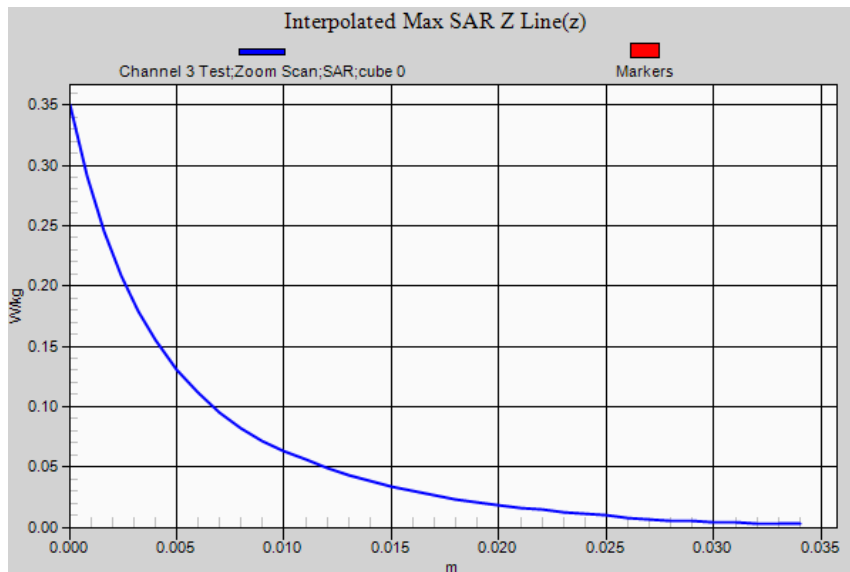
Edge 4 OFDM Antenna 1 28-10-16/Channel 3 Test/Zoom Scan (31x31x36)/Cube 0: Interpolated grid: dx=1.0 mm, dy=1.0 mm, dz=1.0 mm; Reference Value = 7.695 V/m; **Power Drift = -0.03 dB**

Averaged SAR: SAR(1g) = 0.144 W/kg; SAR(10g) = 0.071 W/kg

Maximum value of SAR (interpolated) = 0.350 W/kg



SAR Measurement Plot 24



Accredited for compliance with ISO/IEC 17025. The results of the test, calibrations and/or measurement included in this document are traceable to Australian/national standards. NATA is a signatory to the ILAC Mutual Recognition Arrangement for the mutual recognition of the equivalence of testing, calibration and inspection reports.

This document shall not be reproduced except in full.

Test Lab: EMCTech Test File: M161026 Tablet 2450 MHz WLAN FCC.da52:15

DUT Name: Fujitsu Tablet with 11 abgn/ac WLAN, Type: 8265NGW, Serial: WFM: 0028F800E556

Configuration: Edge 4 OFDM Antenna 1 28-10-16

Communication System: 0 - OFDM 2450 MHz HT0 (40MHz); Communication System Band: ISM 2.4 GHz;
 Frequency: 2437 MHz, Communication System PAR: 0.00 dB; PMF: 0.00; Duty Cycle: 1:1.00
 Medium Parameters used: $f=2437$ MHz; $\sigma = 1.90$ S/m; $\epsilon_r = 51.0$; $\rho = 1000.0$ g/cm³
 Phantom section: Flat Section

DASY Configuration:

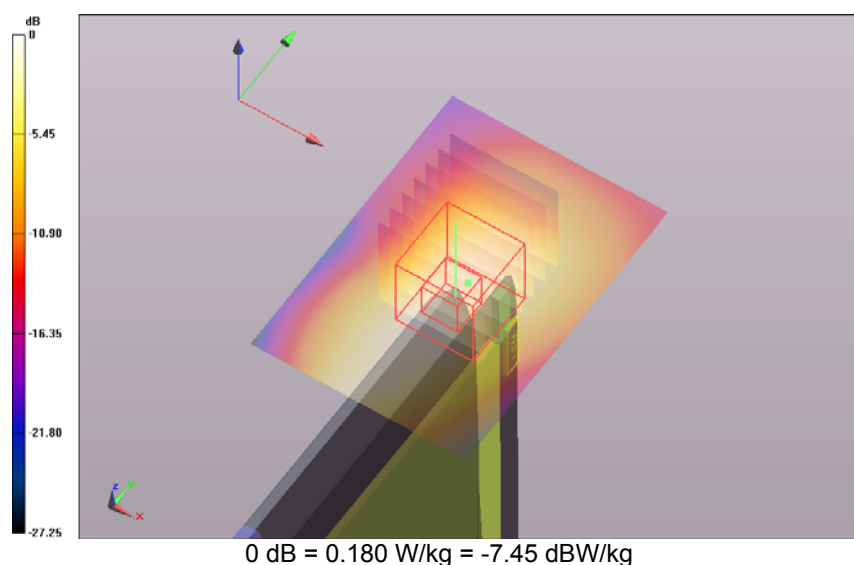
Probe: ET3DV6 - SN1380; ConvF: (4.18,4.18,4.18); Calibrated: 10/12/2015;
 Sensor-Surface: 4 mm (Mechanical Surface Detection (Locations From Previous Scan Used))
 Electronics: DAE3 Sn442; Calibrated: 7/12/2015
 Phantom: ELI 4.0; Type: QDOVA001BA; Serial: 1101
 DASY52 52.8.8(1222); SEMCAD X Version 14.6.10 (7331)

Edge 4 OFDM Antenna 1 28-10-16/Channel 6 Test/Area Scan (51x71x1): Interpolated grid: dx=1.2 mm, dy=1.2 mm; Maximum value of SAR (interpolated) = 0.180 W/kg

Edge 4 OFDM Antenna 1 28-10-16/Channel 6 Test/Zoom Scan (31x31x36)/Cube 0: Interpolated grid: dx=1.0 mm, dy=1.0 mm, dz=1.0 mm; Reference Value = 8.412 V/m; **Power Drift = -0.07 dB**

Averaged SAR: SAR(1g) = 0.171 W/kg; SAR(10g) = 0.083 W/kg

Maximum value of SAR (interpolated) = 0.428 W/kg

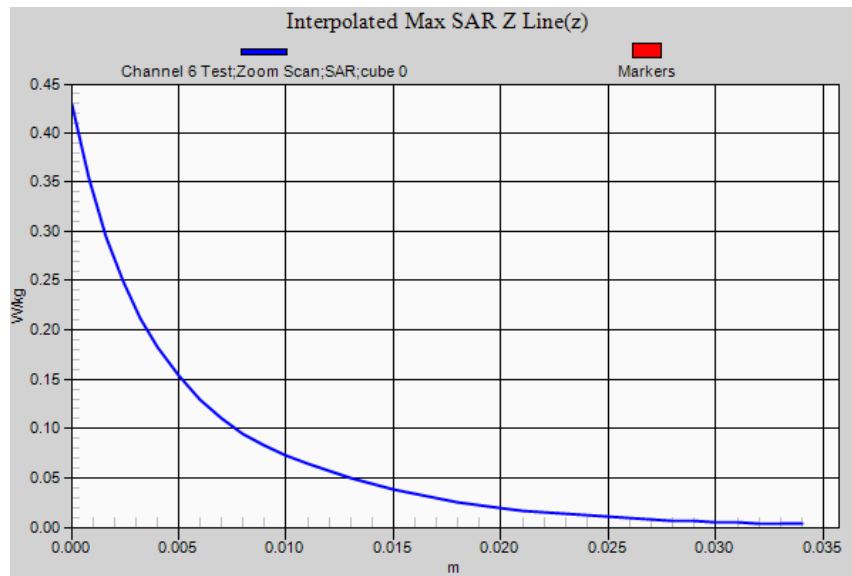


SAR Measurement Plot 25



Accredited for compliance with ISO/IEC 17025. The results of the test, calibrations and/or measurement included in this document are traceable to Australian/national standards. NATA is a signatory to the ILAC Mutual Recognition Arrangement for the mutual recognition of the equivalence of testing, calibration and inspection reports.

This document shall not be reproduced except in full.



Accredited for compliance with ISO/IEC 17025. The results of the test, calibrations and/or measurement included in this document are traceable to Australian/national standards. NATA is a signatory to the ILAC Mutual Recognition Arrangement for the mutual recognition of the equivalence of testing, calibration and inspection reports.

This document shall not be reproduced except in full.

Test Lab: EMCTech Test File: M161026 Tablet 2450 MHz WLAN FCC.da52:15

DUT Name: Fujitsu Tablet with 11 abgn/ac WLAN, Type: 8265NGW, Serial: WFM: 0028F800E556

Configuration: Edge 4 OFDM Antenna 1 28-10-16

Communication System: 0 - OFDM 2450 MHz HT0 (40MHz); Communication System Band: ISM 2.4 GHz;
 Frequency: 2442 MHz, Communication System PAR: 0.00 dB; PMF: 0.00; Duty Cycle: 1:1.00
 Medium Parameters used: $f=2442$ MHz; $\sigma = 1.91$ S/m; $\epsilon_r = 51.0$; $\rho = 1000.0\text{g/cm}^3$
 Phantom section: Flat Section

DASY Configuration:

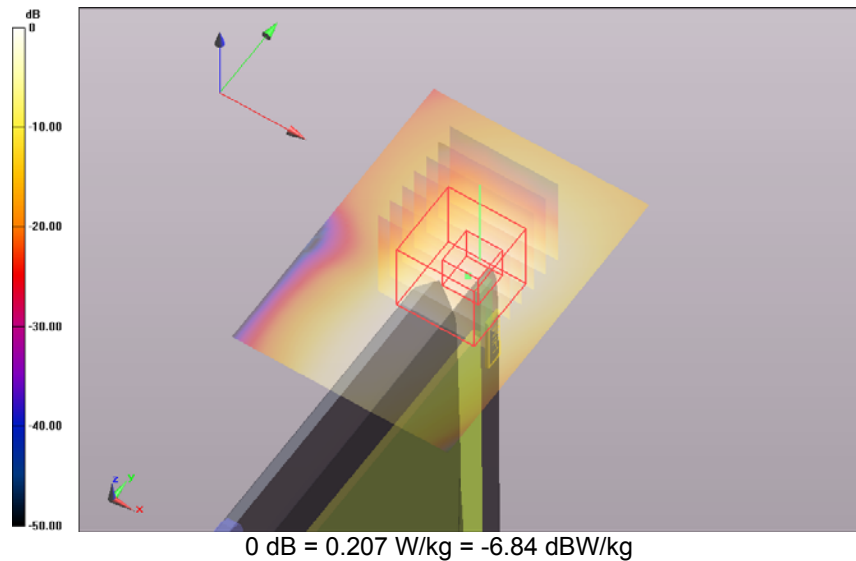
Probe: ET3DV6 - SN1380; ConvF: (4.18,4.18,4.18); Calibrated: 10/12/2015;
 Sensor-Surface: 4 mm (Mechanical Surface Detection (Locations From Previous Scan Used))
 Electronics: DAE3 Sn442; Calibrated: 7/12/2015
 Phantom: ELI 4.0; Type: QDOVA001BA; Serial: 1101
 DASY52 52.8.8(1222); SEMCAD X Version 14.6.10 (7331)

Edge 4 OFDM Antenna 1 28-10-16/Channel 7 Test/Area Scan (51x71x1): Interpolated grid: $dx=1.2$ mm, $dy=1.2$ mm; Maximum value of SAR (interpolated) = 0.207 W/kg

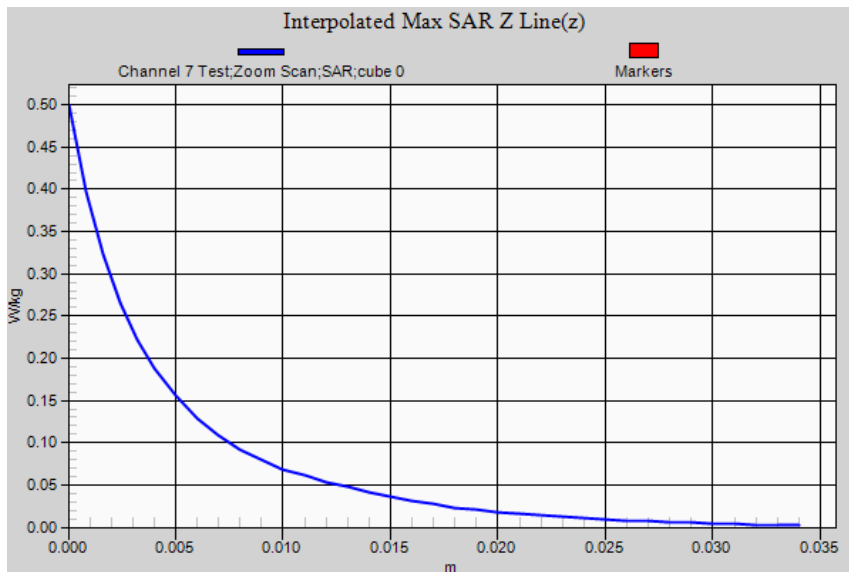
Edge 4 OFDM Antenna 1 28-10-16/Channel 7 Test/Zoom Scan (31x31x36)/Cube 0: Interpolated grid: $dx=1.0$ mm, $dy=1.0$ mm, $dz=1.0$ mm; Reference Value = 9.726 V/m; **Power Drift = -0.03 dB**

Averaged SAR: SAR(1g) = 0.183 W/kg; SAR(10g) = 0.091 W/kg

Maximum value of SAR (interpolated) = 0.500 W/kg



SAR Measurement Plot 26



Accredited for compliance with ISO/IEC 17025. The results of the test, calibrations and/or measurement included in this document are traceable to Australian/national standards. NATA is a signatory to the ILAC Mutual Recognition Arrangement for the mutual recognition of the equivalence of testing, calibration and inspection reports.

This document shall not be reproduced except in full.

Test Lab: EMCTech Test File: M161026 Tablet 2450 MHz WLAN FCC.da52:15

DUT Name: Fujitsu Tablet with 11 abgn/ac WLAN, Type: 8265NGW, Serial: WFM: 0028F800E556

Configuration: Edge 4 OFDM Antenna 1 28-10-16

Communication System: 0 - OFDM 2450 MHz HT0 (20MHz); Communication System Band: ISM 2.4 GHz;
 Frequency: 2462 MHz, Communication System PAR: 0.00 dB; PMF: 1.00; Duty Cycle: 1:1.00
 Medium Parameters used: $f=2462$ MHz; $\sigma = 1.94$ S/m; $\epsilon_r = 50.9$; $\rho = 1000.0$ g/cm³
 Phantom section: Flat Section

DASY Configuration:

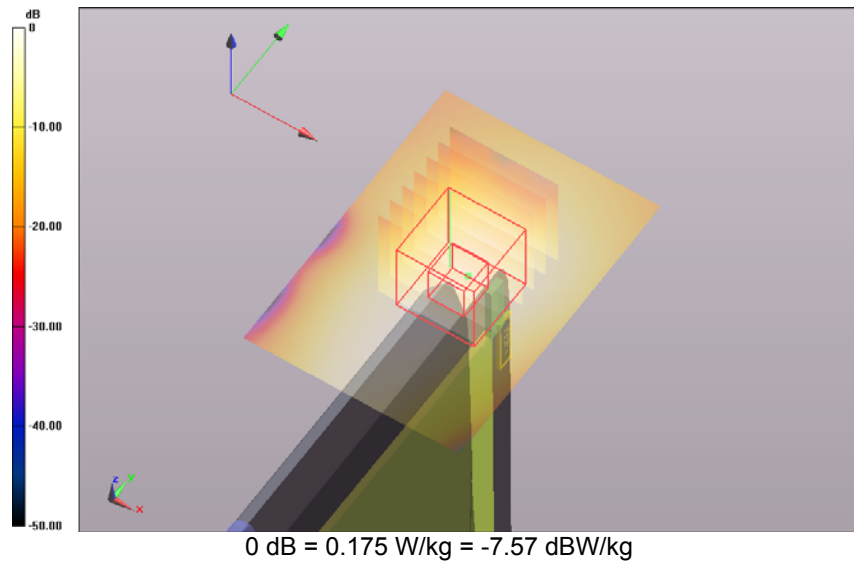
Probe: ET3DV6 - SN1380; ConvF: (4.18,4.18,4.18); Calibrated: 10/12/2015;
 Sensor-Surface: 4 mm (Mechanical Surface Detection (Locations From Previous Scan Used))
 Electronics: DAE3 Sn442; Calibrated: 7/12/2015
 Phantom: ELI 4.0; Type: QDOVA001BA; Serial: 1101
 DASY52 52.8.8(1222); SEMCAD X Version 14.6.10 (7331)

Edge 4 OFDM Antenna 1 28-10-16/Channel 11 Test/Area Scan (51x71x1): Interpolated grid: dx=1.2 mm, dy=1.2 mm; Maximum value of SAR (interpolated) = 0.175 W/kg

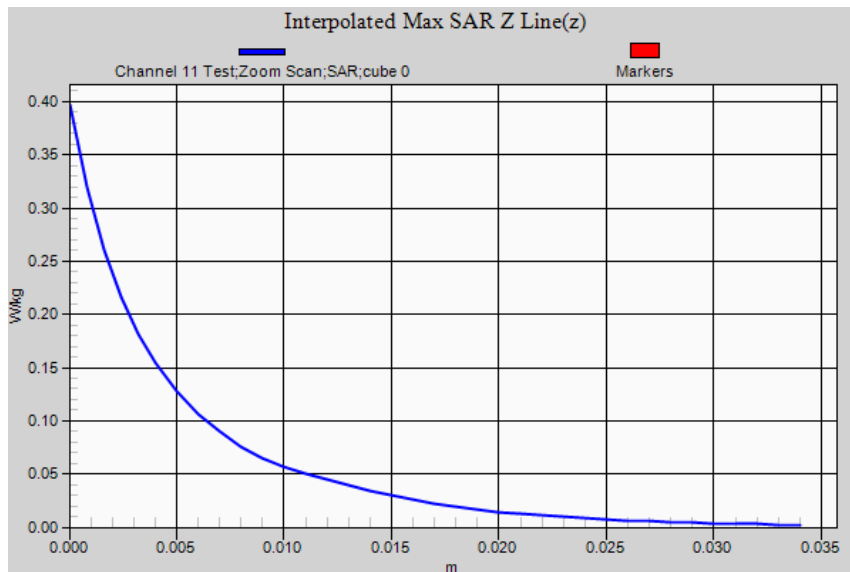
Edge 4 OFDM Antenna 1 28-10-16/Channel 11 Test/Zoom Scan (31x31x36)/Cube 0: Interpolated grid: dx=1.0 mm, dy=1.0 mm, dz=1.0 mm; Reference Value = 8.034 V/m; **Power Drift = 0.04 dB**

Averaged SAR: SAR(1g) = 0.157 W/kg; SAR(10g) = 0.078 W/kg

Maximum value of SAR (interpolated) = 0.397 W/kg



SAR Measurement Plot 27



Accredited for compliance with ISO/IEC 17025. The results of the test, calibrations and/or measurement included in this document are traceable to Australian/national standards. NATA is a signatory to the ILAC Mutual Recognition Arrangement for the mutual recognition of the equivalence of testing, calibration and inspection reports.

This document shall not be reproduced except in full.

Test Lab: EMCTech Test File: M161026 Tablet 2450 MHz WLAN FCC.da52:16

DUT Name: Fujitsu Tablet with 11 abgn/ac WLAN, Type: 8265NGW, Serial: WFM: 0028F800E556

Configuration: Edge 4 DSSS Antenna 1 28-10-16

Communication System: 0 - DSSS 2450 MHz 1Mbps; Communication System Band: ISM 2.4 GHz; Frequency: 2442 MHz, Communication System PAR: 0.00 dB; PMF: 1.00; Duty Cycle: 1:1.00
Medium Parameters used: $f=2442$ MHz; $\sigma = 1.91$ S/m; $\epsilon_r = 51.0$; $\rho = 1000.0\text{g/cm}^3$
Phantom section: Flat Section

DASY Configuration:

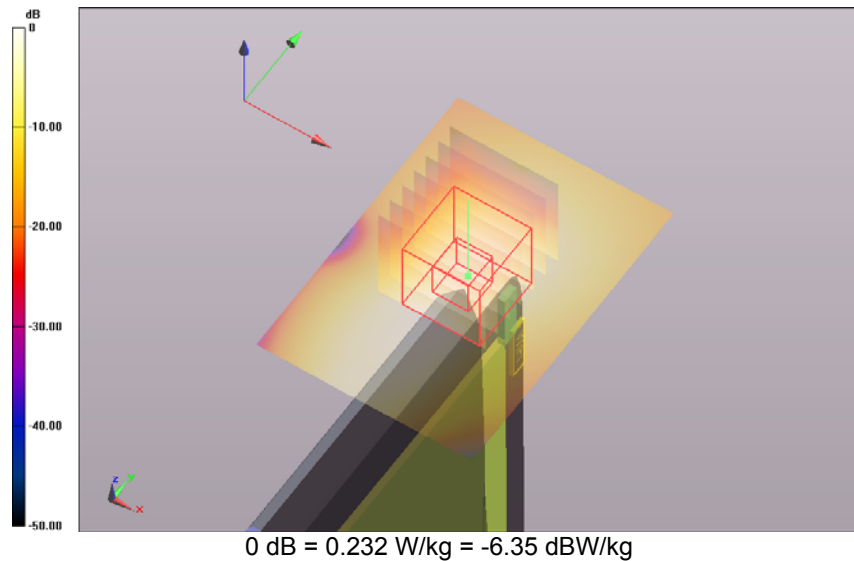
Probe: ET3DV6 - SN1380; ConvF: (4.18,4.18,4.18); Calibrated: 10/12/2015;
Sensor-Surface: 4 mm (Mechanical Surface Detection)
Electronics: DAE3 Sn442; Calibrated: 7/12/2015
Phantom: ELI 4.0; Type: QDOVA001BA; Serial: 1101
DASY52 52.8.8(1222); SEMCAD X Version 14.6.10 (7331)

Edge 4 DSSS Antenna 1 28-10-16/Channel 7 Test/Area Scan (51x71x1): Interpolated grid: $dx=1.2$ mm, $dy=1.2$ mm; Maximum value of SAR (interpolated) = 0.232 W/kg

Edge 4 DSSS Antenna 1 28-10-16/Channel 7 Test/Zoom Scan (31x31x36)/Cube 0: Interpolated grid: $dx=1.0$ mm, $dy=1.0$ mm, $dz=1.0$ mm; Reference Value = 8.831 V/m; **Power Drift = -0.20 dB**

Averaged SAR: SAR(1g) = 0.192 W/kg; SAR(10g) = 0.091 W/kg

Maximum value of SAR (interpolated) = 0.517 W/kg

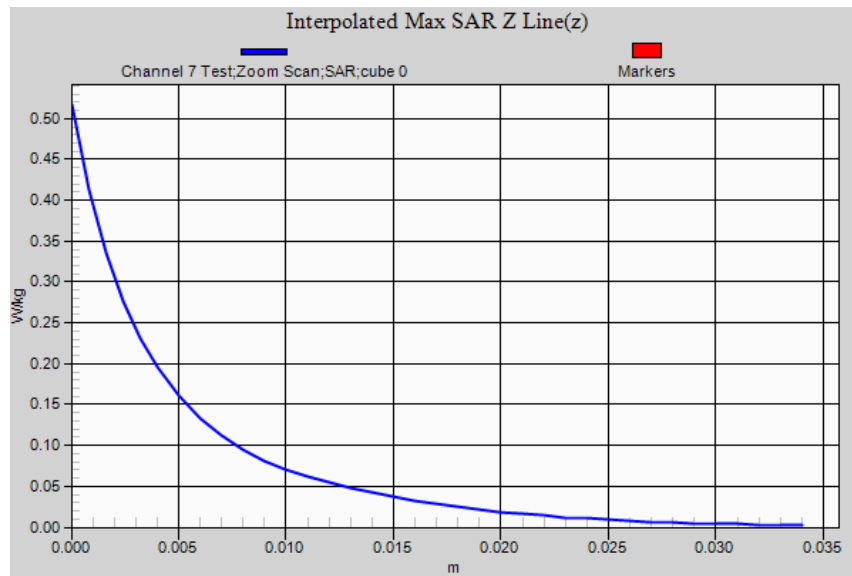


SAR Measurement Plot 28



Accredited for compliance with ISO/IEC 17025. The results of the test, calibrations and/or measurement included in this document are traceable to Australian/national standards. NATA is a signatory to the ILAC Mutual Recognition Arrangement for the mutual recognition of the equivalence of testing, calibration and inspection reports.

This document shall not be reproduced except in full.



Accredited for compliance with ISO/IEC 17025. The results of the test, calibrations and/or measurement included in this document are traceable to Australian/national standards. NATA is a signatory to the ILAC Mutual Recognition Arrangement for the mutual recognition of the equivalence of testing, calibration and inspection reports.

This document shall not be reproduced except in full.

Test Lab: EMCTech Test File: M161026 Tablet 2450 MHz WLAN FCC.da52:17

DUT Name: Dipole 2450 MHz, Type: DV2450V2, Serial: 724

Configuration: System Check 26-10-16

Communication System: 0 - CW; Communication System Band: 2450 MHz; Frequency: 2450 MHz,
 Communication System PAR: 0.00 dB; PMF: 0.00; Duty Cycle: 1:1.00
 Medium Parameters used: f=2450 MHz; $\sigma = 1.99$ S/m; $\epsilon_r = 51.1$; $\rho = 1000.0$ g/cm³
 Phantom section: Flat Section

DASY Configuration:

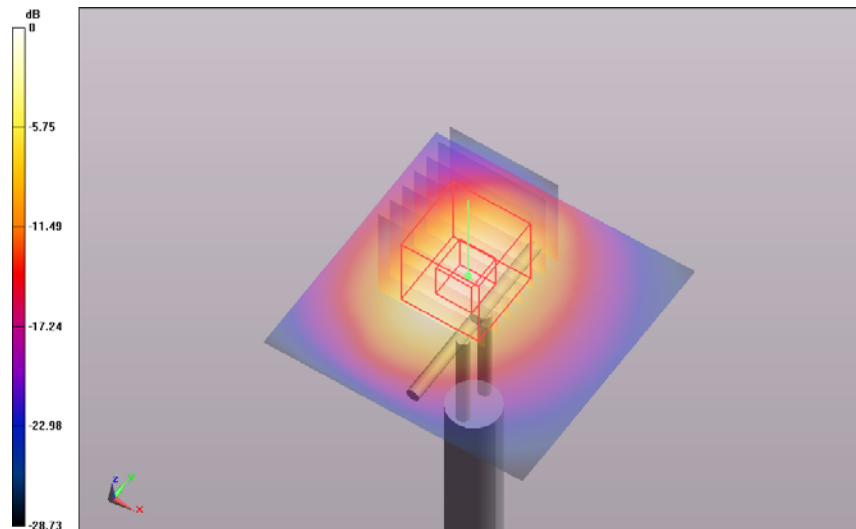
Probe: ET3DV6 - SN1380; ConvF: (4.18,4.18,4.18); Calibrated: 10/12/2015;
 Sensor-Surface: 4 mm (Mechanical Surface Detection)
 Electronics: DAE3 Sn442; Calibrated: 7/12/2015
 Phantom: ELI 4.0; Type: QDOVA001BA; Serial: 1101
 DASY52 52.8.8(1222); SEMCAD X Version 14.6.10 (7331)

System Check 26-10-16/Channel 1 Test/Area Scan (61x61x1): Interpolated grid: dx=1.2 mm, dy=1.2 mm;
 Maximum value of SAR (interpolated) = 16.900 W/kg

System Check 26-10-16/Channel 1 Test/Zoom Scan (31x31x36)/Cube 0: Interpolated grid: dx=1.0 mm, dy=1.0 mm, dz=1.0 mm; Reference Value = 84.747 V/m; **Power Drift = 0.01 dB**

Averaged SAR: SAR(1g) = 13.900 W/kg; SAR(10g) = 6.270 W/kg

Maximum value of SAR (interpolated) = 36.000 W/kg



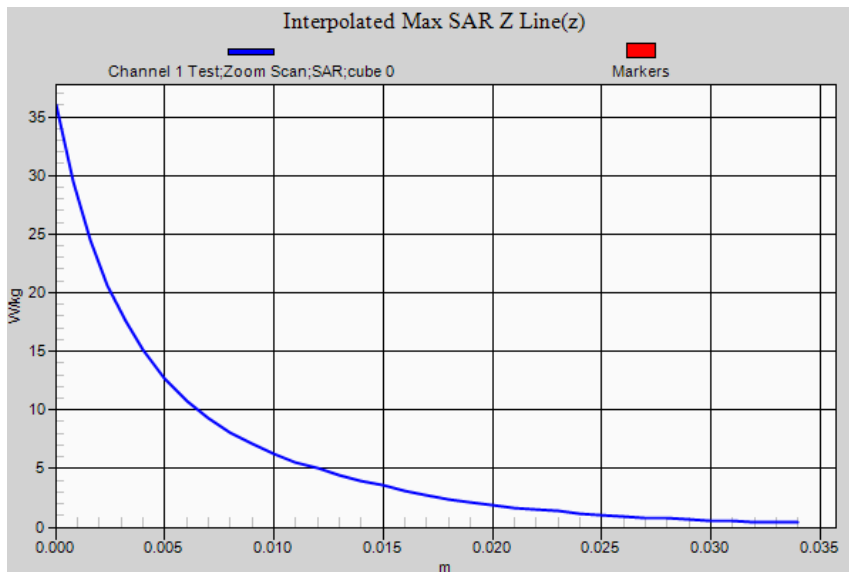
0 dB = 16.9 W/kg = 12.28 dBW/kg

SAR Measurement Plot 29



Accredited for compliance with ISO/IEC 17025. The results of the test, calibrations and/or measurement included in this document are traceable to Australian/national standards. NATA is a signatory to the ILAC Mutual Recognition Arrangement for the mutual recognition of the equivalence of testing, calibration and inspection reports.

This document shall not be reproduced except in full.



Accredited for compliance with ISO/IEC 17025. The results of the test, calibrations and/or measurement included in this document are traceable to Australian/national standards. NATA is a signatory to the ILAC Mutual Recognition Arrangement for the mutual recognition of the equivalence of testing, calibration and inspection reports.

This document shall not be reproduced except in full.

Test Lab: EMCTech Test File: M161026 Tablet 2450 MHz WLAN FCC.da52:18

DUT Name: Dipole 2450 MHz, Type: DV2450V2, Serial: 724

Configuration: System Check 27-10-16

Communication System: 0 - CW; Communication System Band: 2450 MHz; Frequency: 2450 MHz,
 Communication System PAR: 0.00 dB; PMF: 0.00; Duty Cycle: 1:1.00
 Medium Parameters used: f=2450 MHz; $\sigma = 1.95 \text{ S/m}$; $\epsilon_r = 50.9$; $\rho = 1000.0\text{g/cm}^3$
 Phantom section: Flat Section

DASY Configuration:

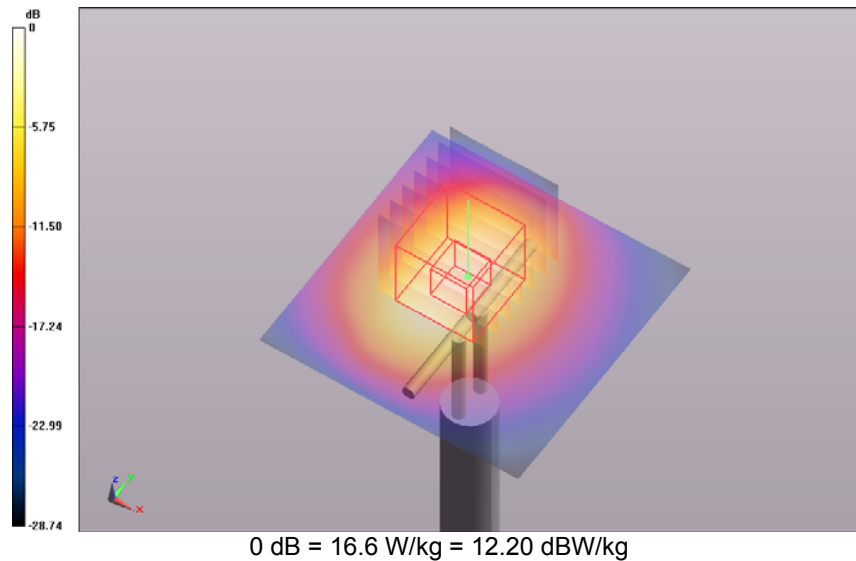
Probe: ET3DV6 - SN1380; ConvF: (4.18,4.18,4.18); Calibrated: 10/12/2015;
 Sensor-Surface: 4 mm (Mechanical Surface Detection)
 Electronics: DAE3 Sn442; Calibrated: 7/12/2015
 Phantom: ELI 4.0; Type: QDOVA001BA; Serial: 1101
 DASY52 52.8.8(1222); SEMCAD X Version 14.6.10 (7331)

System Check 27-10-16/Channel 1 Test/Area Scan (61x61x1): Interpolated grid: dx=1.2 mm, dy=1.2 mm;
 Maximum value of SAR (interpolated) = 16.600 W/kg

System Check 27-10-16/Channel 1 Test/Zoom Scan (31x31x36)/Cube 0: Interpolated grid: dx=1.0 mm, dy=1.0 mm, dz=1.0 mm; Reference Value = 85.308 V/m; **Power Drift = -0.01 dB**

Averaged SAR: SAR(1g) = 13.600 W/kg; SAR(10g) = 6.140 W/kg

Maximum value of SAR (interpolated) = 35.000 W/kg

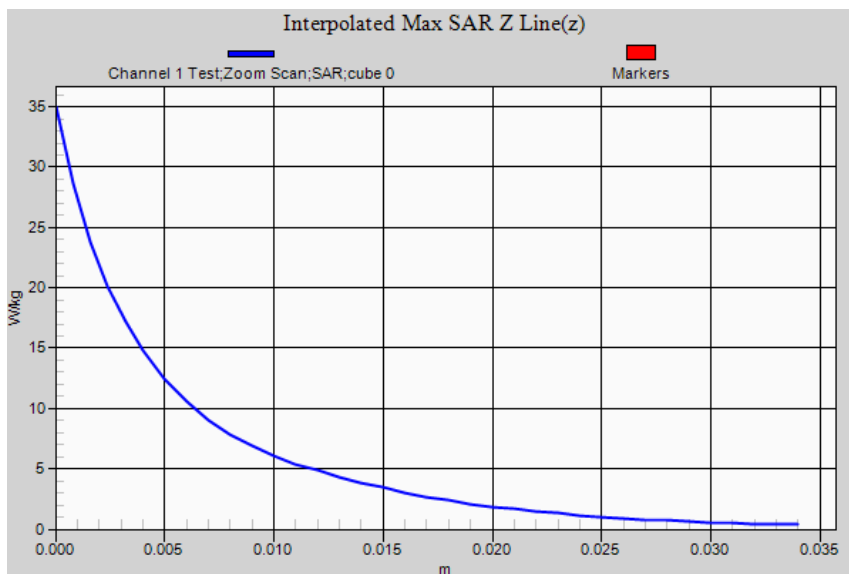


SAR Measurement Plot 30



Accredited for compliance with ISO/IEC 17025. The results of the test, calibrations and/or measurement included in this document are traceable to Australian/national standards. NATA is a signatory to the ILAC Mutual Recognition Arrangement for the mutual recognition of the equivalence of testing, calibration and inspection reports.

This document shall not be reproduced except in full.



Accredited for compliance with ISO/IEC 17025. The results of the test, calibrations and/or measurement included in this document are traceable to Australian/national standards. NATA is a signatory to the ILAC Mutual Recognition Arrangement for the mutual recognition of the equivalence of testing, calibration and inspection reports.

This document shall not be reproduced except in full.

Test Lab: EMCTech Test File: M161026 Tablet 2450 MHz WLAN FCC.da52:19

DUT Name: Dipole 2450 MHz, Type: DV2450V2, Serial: 724

Configuration: System Check 28-10-16

Communication System: 0 - CW; Communication System Band: 2450 MHz; Frequency: 2450 MHz,
 Communication System PAR: 0.00 dB; PMF: 0.00; Duty Cycle: 1:1.00
 Medium Parameters used: f=2450 MHz; $\sigma = 1.92$ S/m; $\epsilon_r = 51.0$; $\rho = 1000.0$ g/cm³
 Phantom section: Flat Section

DASY Configuration:

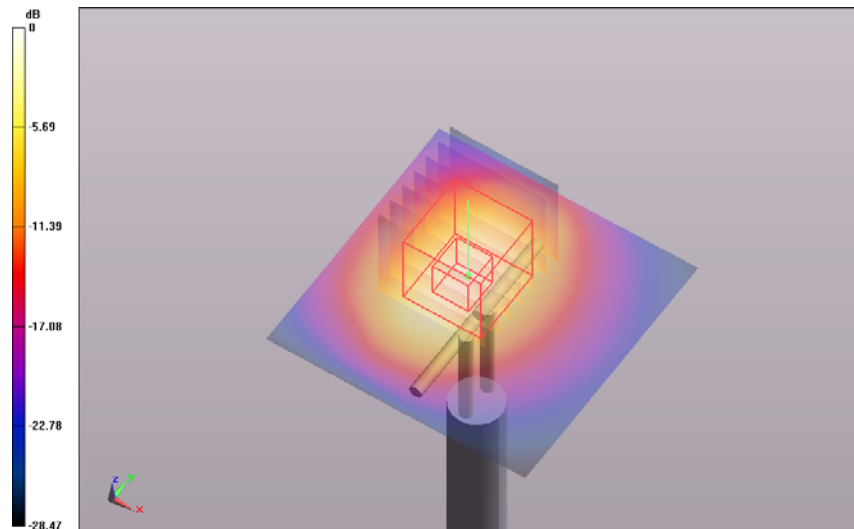
Probe: ET3DV6 - SN1380; ConvF: (4.18,4.18,4.18); Calibrated: 10/12/2015;
 Sensor-Surface: 4 mm (Mechanical Surface Detection)
 Electronics: DAE3 Sn442; Calibrated: 7/12/2015
 Phantom: ELI 4.0; Type: QDOVA001BA; Serial: 1101
 DASY52 52.8.8(1222); SEMCAD X Version 14.6.10 (7331)

System Check 28-10-16/Channel 1 Test/Area Scan (61x61x1): Interpolated grid: dx=1.2 mm, dy=1.2 mm;
 Maximum value of SAR (interpolated) = 15.900 W/kg

System Check 28-10-16/Channel 1 Test/Zoom Scan (31x31x36)/Cube 0: Interpolated grid: dx=1.0 mm, dy=1.0 mm, dz=1.0 mm; Reference Value = 83.484 V/m; **Power Drift = -0.05 dB**

Averaged SAR: SAR(1g) = 13.100 W/kg; SAR(10g) = 5.920 W/kg

Maximum value of SAR (interpolated) = 34.000 W/kg



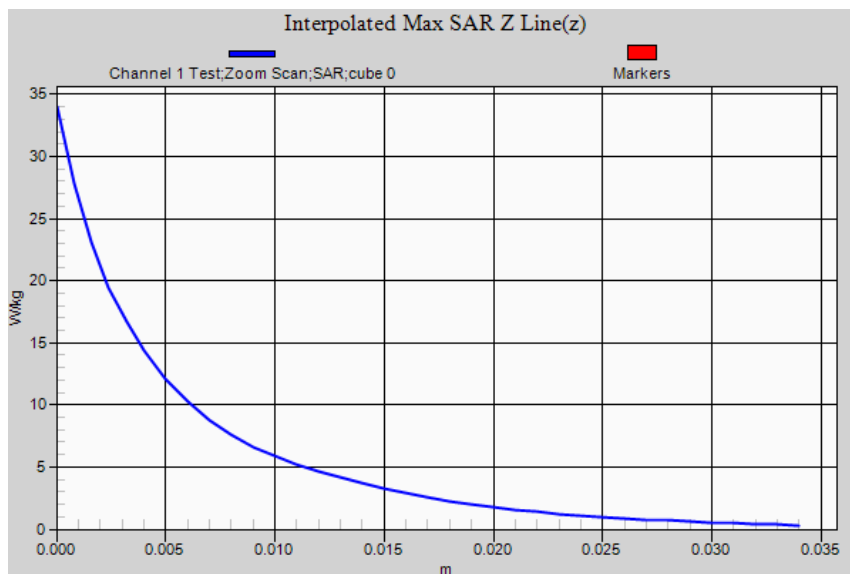
0 dB = 15.9 W/kg = 12.01 dBW/kg

SAR Measurement Plot 31



Accredited for compliance with ISO/IEC 17025. The results of the test, calibrations and/or measurement included in this document are traceable to Australian/national standards. NATA is a signatory to the ILAC Mutual Recognition Arrangement for the mutual recognition of the equivalence of testing, calibration and inspection reports.

This document shall not be reproduced except in full.



Accredited for compliance with ISO/IEC 17025. The results of the test, calibrations and/or measurement included in this document are traceable to Australian/national standards. NATA is a signatory to the ILAC Mutual Recognition Arrangement for the mutual recognition of the equivalence of testing, calibration and inspection reports.

This document shall not be reproduced except in full.

Test Lab: EMCTech Test File: M161026 Tablet 2450 MHz Bluetooth FCC.da52:0

DUT Name: Fujitsu Tablet with 11 abgn/ac WLAN, Type: 8265NGW, Serial: WFM: 0028F800E556

Configuration: Bystander 25mm Spacing Antenna 2 28-10-16

Communication System: 0 - Bluetooth 2.0 DH5; Communication System Band: 2.4GHz ISM Band; Frequency: 2441 MHz, Communication System PAR: 0.00 dB; PMF: 1.00; Duty Cycle: 1:1.00
 Medium Parameters used: $f=2441$ MHz; $\sigma = 1.91$ S/m; $\epsilon_r = 51.0$; $\rho = 1000.0$ g/cm³
 Phantom section: Flat Section

DASY Configuration:

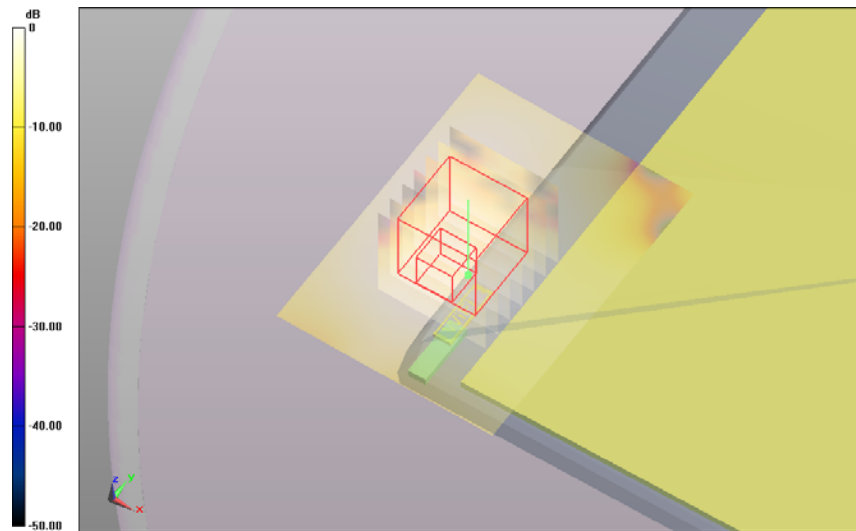
Probe: ET3DV6 - SN1380; ConvF: (4.18,4.18,4.18); Calibrated: 10/12/2015;
 Sensor-Surface: 4 mm (Mechanical Surface Detection)
 Electronics: DAE3 Sn442; Calibrated: 7/12/2015
 Phantom: ELI 4.0; Type: QDOVA001BA; Serial: 1101
 DASY52 52.8.8(1222); SEMCAD X Version 14.6.10 (7331)

Bystander 25mm Spacing Antenna 2 28-10-16/Channel 40 Test/Area Scan (51x71x1): Interpolated grid: dx=1.2 mm, dy=1.2 mm; Maximum value of SAR (interpolated) = 0.011 W/kg

Bystander 25mm Spacing Antenna 2 28-10-16/Channel 40 Test/Zoom Scan (31x31x36)/Cube 0: Interpolated grid: dx=1.0 mm, dy=1.0 mm, dz=1.0 mm; Reference Value = 2.443 V/m; **Power Drift = -0.04 dB**

Averaged SAR: SAR(1g) = 0.010 W/kg; SAR(10g) = 0.005 W/kg

Maximum value of SAR (interpolated) = 0.022 W/kg



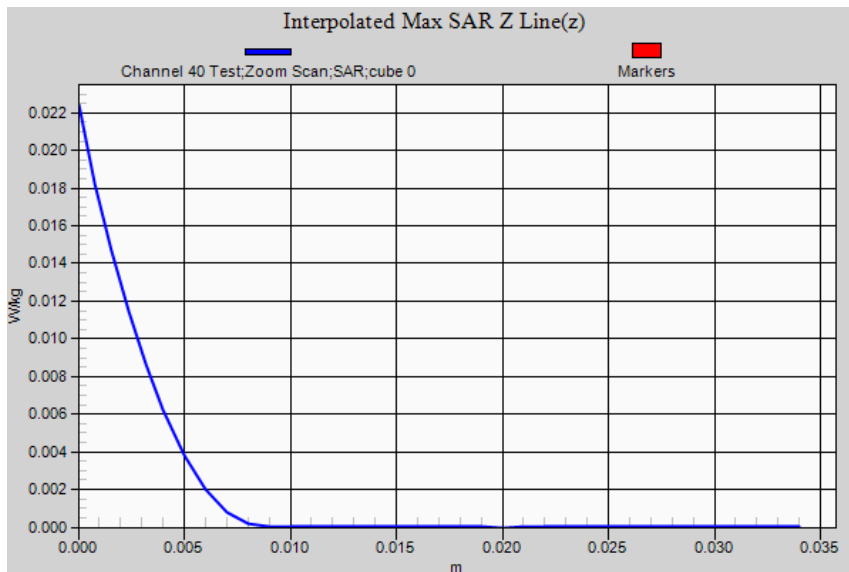
0 dB = 0.0114 W/kg = -19.43 dBW/kg

SAR Measurement Plot 32



Accredited for compliance with ISO/IEC 17025. The results of the test, calibrations and/or measurement included in this document are traceable to Australian/national standards. NATA is a signatory to the ILAC Mutual Recognition Arrangement for the mutual recognition of the equivalence of testing, calibration and inspection reports.

This document shall not be reproduced except in full.



Accredited for compliance with ISO/IEC 17025. The results of the test, calibrations and/or measurement included in this document are traceable to Australian/national standards. NATA is a signatory to the ILAC Mutual Recognition Arrangement for the mutual recognition of the equivalence of testing, calibration and inspection reports.

This document shall not be reproduced except in full.

Test Lab: EMCTech Test File: M161026 Tablet 2450 MHz Bluetooth FCC.da52:1

DUT Name: Fujitsu Tablet with 11 abgn/ac WLAN, Type: 8265NGW, Serial: WFM: 0028F800E556

Configuration: Lap Held Antenna 2 28-10-16

Communication System: 0 - Bluetooth 2.0 DH5; Communication System Band: 2.4GHz ISM Band; Frequency: 2441 MHz, Communication System PAR: 0.00 dB; PMF: 1.00; Duty Cycle: 1:1.00
Medium Parameters used: $f=2441$ MHz; $\sigma = 1.91$ S/m; $\epsilon_r = 51.0$; $\rho = 1000.0\text{g/cm}^3$
Phantom section: Flat Section

DASY Configuration:

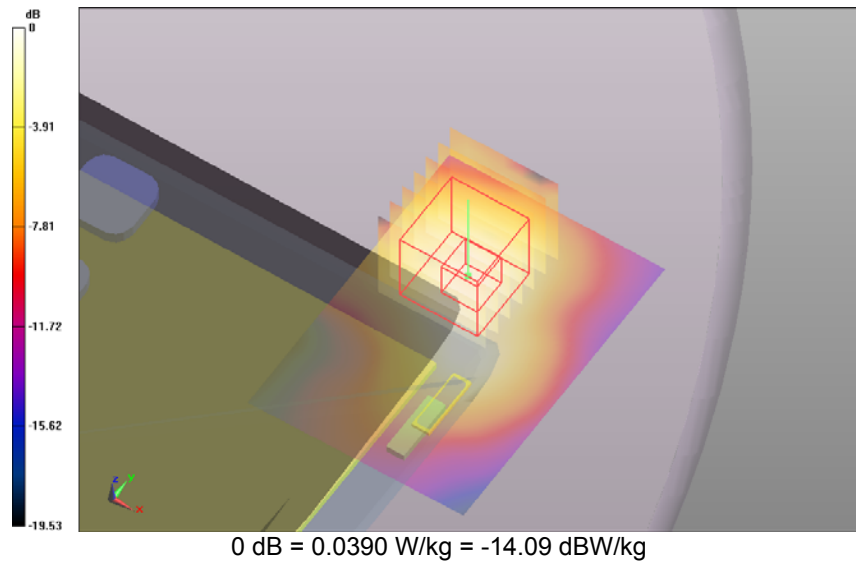
Probe: ET3DV6 - SN1380; ConvF: (4.18,4.18,4.18); Calibrated: 10/12/2015;
Sensor-Surface: 4 mm (Mechanical Surface Detection)
Electronics: DAE3 Sn442; Calibrated: 7/12/2015
Phantom: ELI 4.0; Type: QDOVA001BA; Serial: 1101
DASY52 52.8.8(1222); SEMCAD X Version 14.6.10 (7331)

Lap Held Antenna 2 28-10-16/Channel 40 Test/Area Scan (51x71x1): Interpolated grid: $dx=1.2$ mm, $dy=1.2$ mm;
Maximum value of SAR (interpolated) = 0.039 W/kg

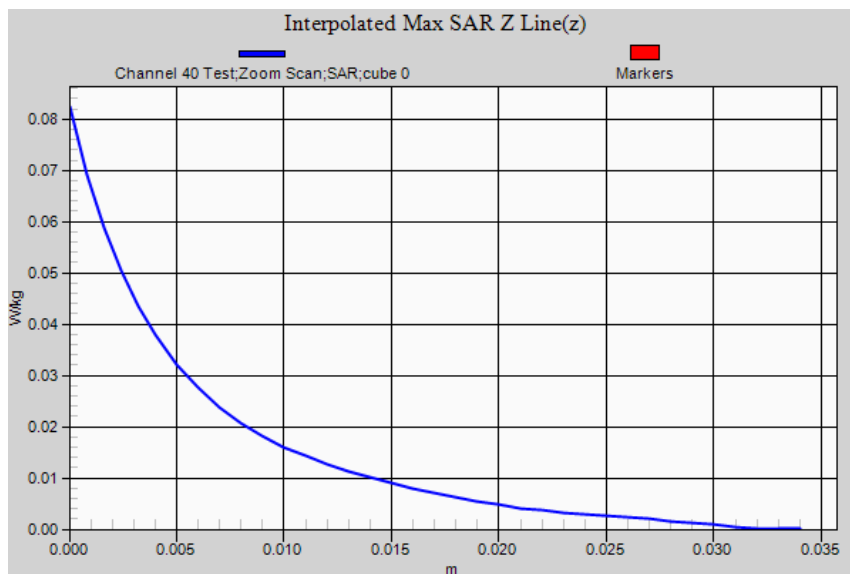
Lap Held Antenna 2 28-10-16/Channel 40 Test/Zoom Scan (31x31x36)/Cube 0: Interpolated grid: $dx=1.0$ mm, $dy=1.0$ mm, $dz=1.0$ mm; Reference Value = 4.515 V/m; **Power Drift = -0.07 dB**

Averaged SAR: SAR(1g) = 0.036 W/kg; SAR(10g) = 0.018 W/kg

Maximum value of SAR (interpolated) = 0.082 W/kg



SAR Measurement Plot 33



Accredited for compliance with ISO/IEC 17025. The results of the test, calibrations and/or measurement included in this document are traceable to Australian/national standards. NATA is a signatory to the ILAC Mutual Recognition Arrangement for the mutual recognition of the equivalence of testing, calibration and inspection reports.

This document shall not be reproduced except in full.

Test Lab: EMCTech Test File: M161026 Tablet 2450 MHz Bluetooth FCC.da52:2

DUT Name: Fujitsu Tablet with 11 abgn/ac WLAN, Type: 8265NGW, Serial: WFM: 0028F800E556

Configuration: Edge 2 Antenna 2 28-10-16

Communication System: 0 - Bluetooth 2.0 DH5; Communication System Band: 2.4GHz ISM Band; Frequency: 2402 MHz, Communication System PAR: 0.00 dB; PMF: 1.00; Duty Cycle: 1:1.00
Medium Parameters used: $f=2410$ MHz; $\sigma = 1.85$ S/m; $\epsilon_r = 51.1$; $\rho = 1000.0$ g/cm³
Phantom section: Flat Section

DASY Configuration:

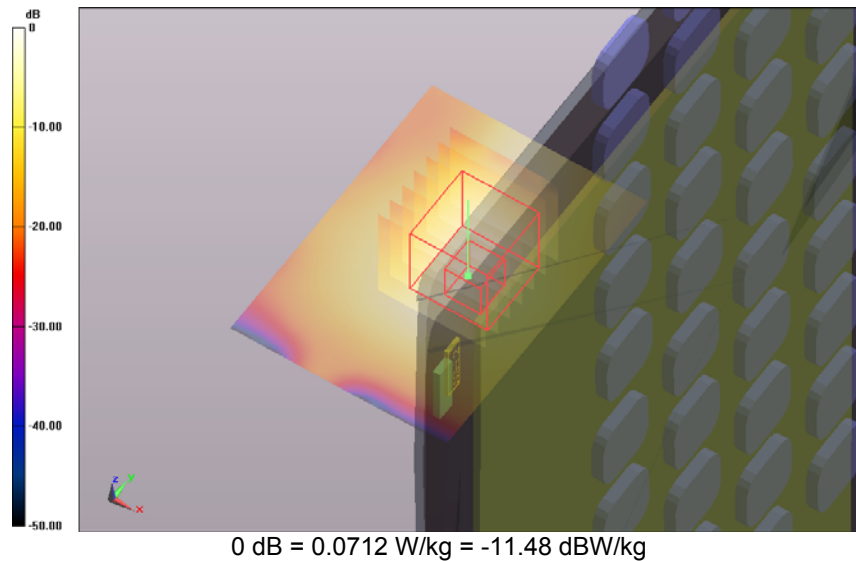
Probe: ET3DV6 - SN1380; ConvF: (4.18,4.18,4.18); Calibrated: 10/12/2015;
Sensor-Surface: 4 mm (Mechanical Surface Detection)
Electronics: DAE3 Sn442; Calibrated: 7/12/2015
Phantom: ELI 4.0; Type: QDOVA001BA; Serial: 1101
DASY52 52.8.8(1222); SEMCAD X Version 14.6.10 (7331)

Edge 2 Antenna 2 28-10-16/Channel 0 Test/Area Scan (51x71x1): Interpolated grid: dx=1.2 mm, dy=1.2 mm;
Maximum value of SAR (interpolated) = 0.071 W/kg

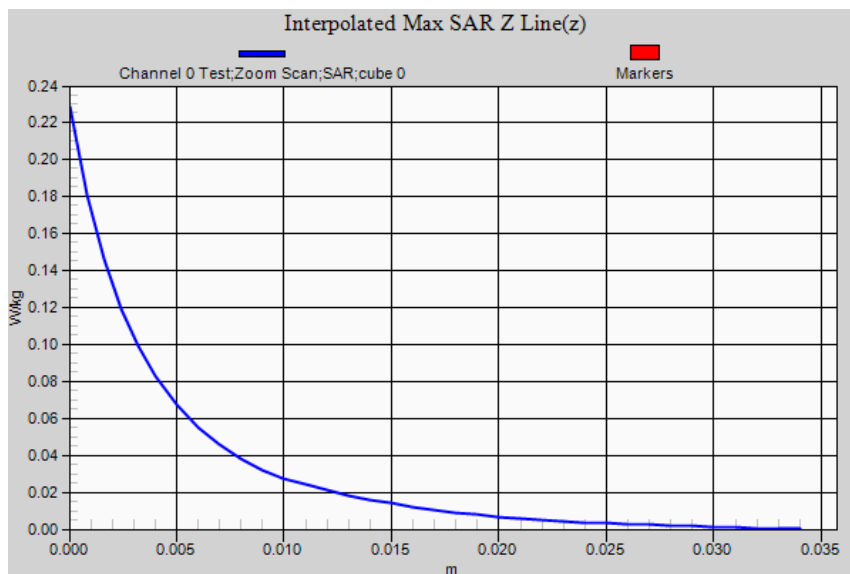
Edge 2 Antenna 2 28-10-16/Channel 0 Test/Zoom Scan (31x31x36)/Cube 0: Interpolated grid: dx=1.0 mm, dy=1.0 mm, dz=1.0 mm; Reference Value = 6.721 V/m; **Power Drift = -0.05 dB**

Averaged SAR: SAR(1g) = 0.071 W/kg; SAR(10g) = 0.030 W/kg

Maximum value of SAR (interpolated) = 0.228 W/kg



SAR Measurement Plot 34



Accredited for compliance with ISO/IEC 17025. The results of the test, calibrations and/or measurement included in this document are traceable to Australian/national standards. NATA is a signatory to the ILAC Mutual Recognition Arrangement for the mutual recognition of the equivalence of testing, calibration and inspection reports.

This document shall not be reproduced except in full.

Test Lab: EMCTech Test File: M161026 Tablet 2450 MHz Bluetooth FCC.da52:2

DUT Name: Fujitsu Tablet with 11 abgn/ac WLAN, Type: 8265NGW, Serial: WFM: 0028F800E556

Configuration: Edge 2 Antenna 2 28-10-16

Communication System: 0 - Bluetooth 2.0 DH5; Communication System Band: 2.4GHz ISM Band; Frequency: 2441 MHz, Communication System PAR: 0.00 dB; PMF: 1.00; Duty Cycle: 1:1.00
Medium Parameters used: $f=2441$ MHz; $\sigma = 1.91$ S/m; $\epsilon_r = 51.0$; $\rho = 1000.0\text{g/cm}^3$
Phantom section: Flat Section

DASY Configuration:

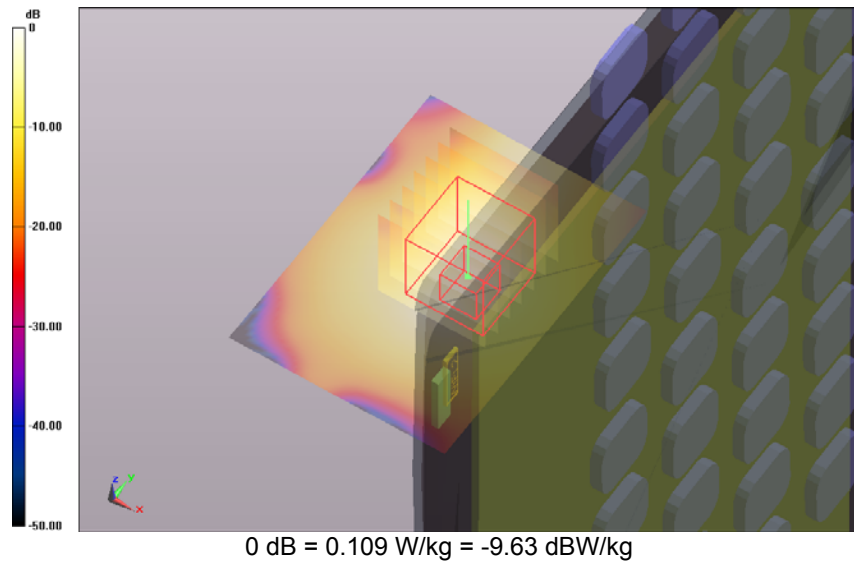
Probe: ET3DV6 - SN1380; ConvF: (4.18,4.18,4.18); Calibrated: 10/12/2015;
Sensor-Surface: 4 mm (Mechanical Surface Detection)
Electronics: DAE3 Sn442; Calibrated: 7/12/2015
Phantom: ELI 4.0; Type: QDOVA001BA; Serial: 1101
DASY52 52.8.8(1222); SEMCAD X Version 14.6.10 (7331)

Edge 2 Antenna 2 28-10-16/Channel 40 Test/Area Scan (51x71x1): Interpolated grid: dx=1.2 mm, dy=1.2 mm;
Maximum value of SAR (interpolated) = 0.109 W/kg

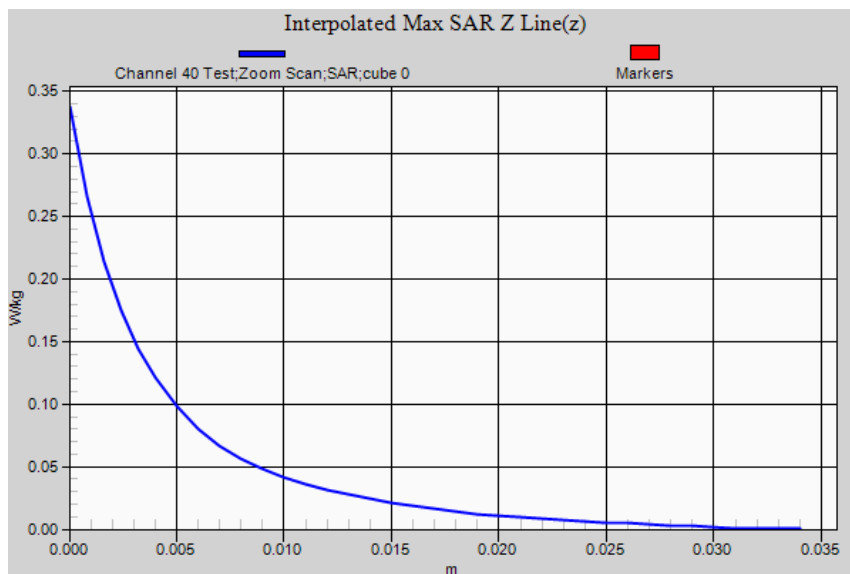
Edge 2 Antenna 2 28-10-16/Channel 40 Test/Zoom Scan (31x31x36)/Cube 0: Interpolated grid: dx=1.0 mm, dy=1.0 mm, dz=1.0 mm; Reference Value = 7.911 V/m; **Power Drift = 0.20 dB**

Averaged SAR: SAR(1g) = 0.105 W/kg; SAR(10g) = 0.043 W/kg

Maximum value of SAR (interpolated) = 0.337 W/kg



SAR Measurement Plot 35



Accredited for compliance with ISO/IEC 17025. The results of the test, calibrations and/or measurement included in this document are traceable to Australian/national standards. NATA is a signatory to the ILAC Mutual Recognition Arrangement for the mutual recognition of the equivalence of testing, calibration and inspection reports.

This document shall not be reproduced except in full.

Test Lab: EMCTech Test File: M161026 Tablet 2450 MHz Bluetooth FCC.da52:2

DUT Name: Fujitsu Tablet with 11 abgn/ac WLAN, Type: 8265NGW, Serial: WFM: 0028F800E556

Configuration: Edge 2 Antenna 2 28-10-16

Communication System: 0 - Bluetooth 2.0 DH5; Communication System Band: 2.4GHz ISM Band; Frequency: 2480 MHz, Communication System PAR: 0.00 dB; PMF: 1.00; Duty Cycle: 1:1.00
Medium Parameters used: $f=2480$ MHz; $\sigma = 1.97$ S/m; $\epsilon_r = 50.8$; $\rho = 1000.0$ g/cm³
Phantom section: Flat Section

DASY Configuration:

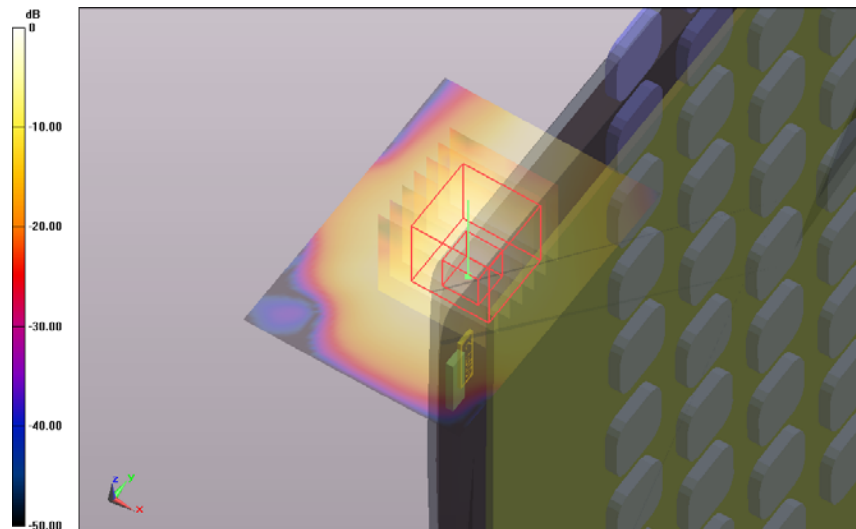
Probe: ET3DV6 - SN1380; ConvF: (4.18,4.18,4.18); Calibrated: 10/12/2015;
Sensor-Surface: 4 mm (Mechanical Surface Detection)
Electronics: DAE3 Sn442; Calibrated: 7/12/2015
Phantom: ELI 4.0; Type: QDOVA001BA; Serial: 1101
DASY52 52.8.8(1222); SEMCAD X Version 14.6.10 (7331)

Edge 2 Antenna 2 28-10-16/Channel 79 Test/Area Scan (51x71x1): Interpolated grid: dx=1.2 mm, dy=1.2 mm;
Maximum value of SAR (interpolated) = 0.069 W/kg

Edge 2 Antenna 2 28-10-16/Channel 79 Test/Zoom Scan (31x31x36)/Cube 0: Interpolated grid: dx=1.0 mm, dy=1.0 mm, dz=1.0 mm; Reference Value = 6.044 V/m; **Power Drift = -0.03 dB**

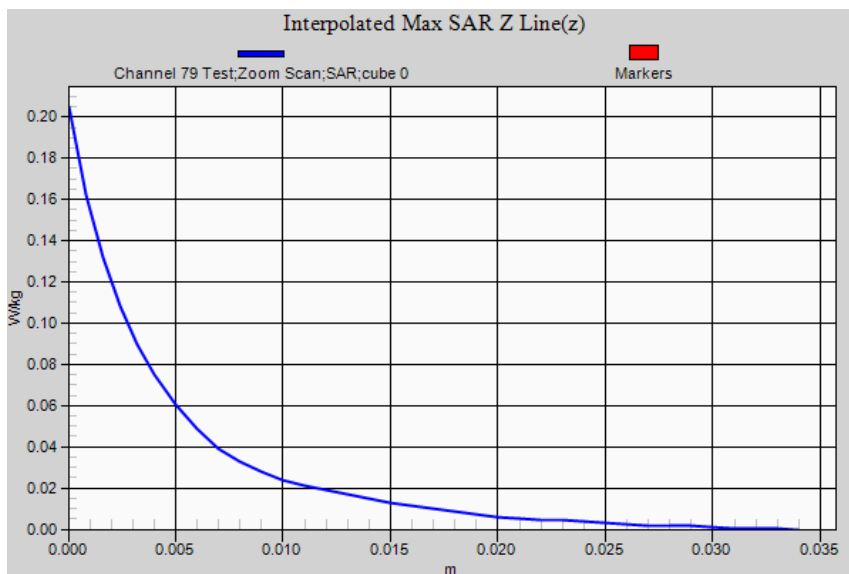
Averaged SAR: SAR(1g) = 0.061 W/kg; SAR(10g) = 0.024 W/kg

Maximum value of SAR (interpolated) = 0.205 W/kg



0 dB = 0.0687 W/kg = -11.63 dBW/kg

SAR Measurement Plot 36



Accredited for compliance with ISO/IEC 17025. The results of the test, calibrations and/or measurement included in this document are traceable to Australian/national standards. NATA is a signatory to the ILAC Mutual Recognition Arrangement for the mutual recognition of the equivalence of testing, calibration and inspection reports.

This document shall not be reproduced except in full.