

**EMC Technologies Pty Ltd**

ABN 82 057 105 549
176 Harrick Road
Keilor Park
Victoria Australia 3042

Ph: + 613 9365 1000
Fax: + 613 9331 7455
email: melb@emctech.com.au

SAR Test Report

Report Number: M071143_CERT_4965AG_SAR_5.6

Test Sample: Portable Tablet Computer
Radio Modules: WLAN 4965AG & Bluetooth EYTF3CS FT
Model Number: P1620
Tested For: Fujitsu Australia Pty Ltd
FCC ID: EJE-WB0055
IC: 337J-WB0055
Date of Issue: 14th January 2008

EMC Technologies Pty Ltd reports apply only to the specific samples tested under stated test conditions. It is the manufacturer's responsibility to assure that additional production units of this model are manufactured with identical electrical and mechanical components. EMC Technologies Pty Ltd shall have no liability for any deductions, inferences or generalisations drawn by the client or others from EMC Technologies Pty Ltd issued reports. This report shall not be used to claim, constitute or imply product endorsement by EMC Technologies Pty Ltd.



Nata Accredited Laboratory
Number: 5292

EMC Technologies is a NATA Accredited Laboratory complying with the requirements specified in ISO/IEC 17025 and results produced are traceable to national standards of measurement. This document shall not be reproduced, except in full.

CONTENTS

1.0 GENERAL INFORMATION	3
2.0 INTRODUCTION.....	3
3.0 SAMPLE TECHNICAL INFORMATION.....	3
3.1 EUT (WLAN) Details.....	3
3.2 EUT (Bluetooth) Details	3
3.3 EUT (Notebook PC) Details.....	3
3.4 Test sample Accessories.....	3
3.4.1 Battery Types.....	3
4.0 TEST SIGNAL, FREQUENCY AND OUTPUT POWER	3
4.1 Battery Status	3
5.0 DETAILS OF TEST LABORATORY	3
5.1 Location	3
5.2 Accreditations	3
5.3 Environmental Factors.....	3
6.0 DESCRIPTION OF SAR MEASUREMENT SYSTEM.....	3
6.1 Probe Positioning System.....	3
6.2 E-Field Probe Type and Performance	3
6.3 Data Acquisition Electronics	3
6.4 Validation	3
6.4.1 Validation Results @ 5GHz	3
6.4.2 Deviation from reference validation values.....	3
6.4.3 Liquid Depth 15cm.....	3
6.5 Phantom Properties (Size, Shape, Shell Thickness).....	3
6.6 Tissue Material Properties.....	3
6.6.1 Liquid Temperature and Humidity.....	3
6.7 Simulated Tissue Composition Used for SAR Test.....	3
6.8 Device Holder for Laptops and P 10.1 Phantom	3
7.0 SAR MEASUREMENT PROCEDURE USING DASY4.....	3
8.0 MEASUREMENT UNCERTAINTY	3
9.0 QIPMENT LIST AND CALIBRATION DETAILS	3
10.0 OET BULLETIN 65 – SUPPLEMENT C TEST METHOD.....	3
10.1 Position	3
10.1.1 “Tablet” Position Definition (0mm spacing).....	3
10.1.2 “Edge On” Position.....	3
10.2 List of All Test Cases (Antenna In/Out, Test Frequencies, User Modes).....	3
10.3 FCC RF Exposure Limits for Occupational/ Controlled Exposure.....	3
10.4 FCC RF Exposure Limits for Un-controlled/Non-occupational	3
11.0 SAR MEASUREMENT RESULTS	3
11.1 GHz Band SAR Results.....	3
12.0 COMPLIANCE STATEMENT.....	3
APPENDIX A1 TEST SAMPLE PHOTOGRAPHS	3
APPENDIX A2 TEST SAMPLE PHOTOGRAPHS	3
APPENDIX A3 TEST SAMPLE PHOTOGRAPHS	3
APPENDIX A4 TEST SETUP PHOTOGRAPHS	3
APPENDIX A5 TEST SAMPLE PHOTOGRAPHS	3
APPENDIX A6 TEST SAMPLE PHOTOGRAPHS	3
APPENDIX A7 TEST SAMPLE PHOTOGRAPHS	3
APPENDIX B PLOTS OF THE SAR MEASUREMENTS	3
APPENDIX C CALIBRATION DOCUMENTS.....	3



SAR TEST REPORT
Report Number: M071143_CERT_4965AG_SAR_5.6
FCC ID: EJE-WB0055
IC: 337J-WB0055

1.0 GENERAL INFORMATION

Test Sample: Portable Tablet Computer
Model Name: P1620
Radio Modules: WLAN 4965AG & Bluetooth EYTF3CS FT
Interface Type: Mini-PCI Module
Device Category: Portable Transmitter
Test Device: Pre-Production Unit
FCC ID: EJE-WB0055
IC: 337J-WB0055
RF exposure Category: General Population/Uncontrolled

Manufacturer: Fujitsu Limited

Test Standard/s:

1. Evaluating Compliance with FCC Guidelines For Human Exposure to Radiofrequency Electromagnetic Fields Supplement C (Edition 01-01) to OET Bulletin 65 (Edition 97-01)
2. Evaluation Procedure for Mobile and Portable Radio Transmitters with respect to Health Canada's Safety Code 6 for Exposure of Humans to Radio Frequency Fields. RSS-102 Issue 1 (Provisional) September 25, 1999

Statement Of Compliance: The Fujitsu TABLET Computer P1620 with Wireless LAN model 4965AG and Bluetooth module EYTF3CS FT complied* with the FCC General public/uncontrolled RF exposure limits of 1.6mW/g per requirements of 47CFR2.1093(d). It also complied with IC RSS-102 requirements.

*. Refer to compliance statement section 9.

Test Date: 8th – 9th January 2008

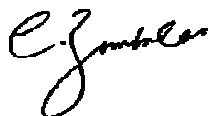
Tested for: Fujitsu Australia Pty Ltd
Address: 1230 Nepean Highway, Cheltenham VIC 3192
Contact: Praveen Rao
Phone: +61 3 9265 0210
Fax: +61 3 9265 0656

Test Officer:



Kim H Long
Test Engineer

Authorised Signature:



Chris Zombolas
Technical Director



SAR TEST REPORT
Portable TABLET Computer Wireless LAN
Model: P1620
Report Number: M071143_CERT_4965AG_SAR_5.6

2.0 INTRODUCTION

Testing was performed on the Fujitsu Tablet PC, Model: P1620 with INTEL Mini-PCI Wireless LAN Module (KEDRON 802.11a/b/g), Model: 4965AG & TAIYO YUDEN Bluetooth Module, Model: EYTF3CS FT. The KEDRON module is an OEM product. The Mini-PCI Wireless LAN (WLAN) was tested in the dedicated host – RYUGA, Model P1620.

The measurement test results mentioned hereon only apply to the 5GHz frequency band; an additional report titled “M071143_CERT_4965AG_SAR_2.4” applies to the 2450MHz frequency range.

3.0 SAMPLE TECHNICAL INFORMATION

(Information supplied by the client)

3.1 EUT (WLAN) Details

Transmitter:	Mini-Card Wireless LAN Module
Wireless Module:	Kedron (11a/b/g)
Model Number:	4965ABG
Manufacturer:	Intel Corporation
Modulation Type:	DSSS for 802.11b OFDM for 802.11g OFDM for 802.11a
5GHz (802.11a)	BPSK, QPSK, 16QAM, 64QAM
2.4GHz (802.11b/g)	CCK, DQPSK, DBPSK, 16QAM, 64QAM
Maximum Data Rate:	802.11b = 11 Mbps, 802.11g and 802.11a = 54 Mbps
Frequency Range:	2.412–2.462 GHz for 802.11b/g 5.18-5.32 GHz and 5.745-5.825 GHz for 802.11a
Number of Channels:	11 channels for 802.11b/g 13 channels for 802.11a
Antenna Types:	Nissei Electric Inverted F Antenna - Model: CP313544(Main:Rihgt), CP313545(Aux:Left) Location: Top edge of LCD screen
Antenna gain:	Please refer antenna data provided separately
Power Supply:	3.3 VDC from PCI bus



Channels Tested and Output power setting:

Channel and Mode	Frequency MHz	Average Output Power dBm
802.11b/g mode		
Channels 1, 6 and 11	2412, 2437 and 2462	15.5
802.11a mode		
Channels 36	5180	16.5
Channels 48	5240	16.5
Channels 52	5260	16.5
Channels 64	5320	16.5
Channels 149	5745	17.5
Channels 157	5785	17.5
Channels 165	5825	17.5

NOTE: For 2450 MHz SAR results refer to report titled "M071143_CERT_4965AG_SAR_2.4".

3.2 EUT (Bluetooth) Details

Transmitter: Bluetooth
Model Number: EYTF3CS FT
Manufacturer: TAIYO YUDEN
Network Standard: Bluetooth™ RF Test Specification
Modulation Type: Frequency Hopping Spread Spectrum (FHSS)
Frequency Range: 2402 MHz to 2480 MHz
Number of Channels: 79
Carrier Spacing: 1.0 MHz
Antenna Types: Nissei Electric Inverted F Antenna, Model: CP115428
 Location: Right palm rest corner
Antenna gain: Please refer antenna data provided separately
Max. Output Power: 4 dBm
Reference Oscillator: 16 MHz (Built-in)
Power Supply: 3.3 VDC from host.

Frequency allocation:

Channel Number	Frequency (MHz)	Bluetooth Utility power setting
1	2402	Power (Ext, Int) = 0, 96
2	2403	
3	2404	
.	.	
.	.	
39	2440	
40*	2441	
41	2442	
.	.	
.	.	
77	2478	
78	2479	
79	2480	

*Channels Tested

3.3 EUT (Notebook PC) Details



This document must not be copied or reproduced, except in full without the written permission of the Manager, EMC Technologies Pty Ltd. The certificate on page 3 may be reproduced in full.
www.emctech.com.au

EUT:	RYUGA
Model Name:	P1620
Serial Number:	Pre-production Sample
Manufacturer:	FUJITSU LIMITED
<hr/>	
CPU Type and Speed:	Core2 Duo T7700 2.4GHz
LCD	12" SXGA+ / 12" XGA
Wired LAN:	Marvell 88E8055 : 10 Base-T/100 Base-TX/1000Base-T
Modem:	Agere MDC1.5 modem Model: D40
Port Replicator Model:	FPCPR65
<hr/>	
AC Adapter Model:	SEC100P2-19.0(Sanken) / SEC100P3-19.0(Sanken, 3pin) / ADP-80NB A(Delta)
Voltage:	19 V
Current Specs:	4.22A
Watts:	80W

3.4 Test sample Accessories

3.4.1 Battery Types

One type of Fujitsu Lithium Ion Battery is used to power the Portable Tablet Computer Wireless LAN Model: 4965ABG. SAR measurements were performed with the battery as shown below.

Standard Battery

Model	Standard Battery	Extended Battery
Type:	Li-ion	Li-ion
V/mAh	10.8V/2600mAh	10.8V/5200mAh
Cell No.	6	6



4.0 TEST SIGNAL, FREQUENCY AND OUTPUT POWER

INTEL’s CRTU test tool was used to configure the WLAN for testing. The Portable Tablet Computer Wireless LAN had a total of 11 channels (USA model) within the 2412 to 2462 MHz frequency band and 17 channels within the frequency range 5180 – 5825 MHz. In The frequency range 2412 MHz to 2462 MHz the device operates in 2 modes, OFDM and DSSS. Within the 5180 – 5825 MHz frequency range the device operates in OFDM mode only. For the SAR measurements the device was operating in continuous transmit mode using programming codes supplied by Fujitsu. The fixed frequency channels used in the testing are shown in the table below.

The Bluetooth module operates over 79 channels within the frequency range 2402 to 2480 MHz. It is possible for the Bluetooth module to operate simultaneously with the WLAN module (co-transmission). For the SAR measurements the device was operating in continuous transmit mode using programming codes supplied by Fujitsu. The tests were conducted with only the WLAN operating and also with the WLAN and Bluetooth module operating in co-transmission. The fixed frequency channels used in the testing are shown in the table below. The Bluetooth interface utilizes dedicated antenna, for the purpose of this report labelled antenna “D”.

The test results mentioned in this report only apply to the 5200/5800MHz frequency range. An additional report titled “M071143_CERT_4965ABG_SAR_2.4” is specific to the 2450MHz range.

The WLAN modules can be configured in a number of different data rates. It was found that the highest source based time averaged power was measured when using the lowest data rates available in each mode. This lowest data rate corresponds to 6Mbps in OFDM mode and 1Mbps in DSSS mode.

At the beginning and at the completion of the SAR tests, the conducted power of the device was measured after temporary modification of antenna connector inside the device’s TX RX compartment. Measurements were performed with a calibrated Power Meter. The results of this measurement are listed in the following table.

Table: Frequency and Conducted Power Results WLAN

Channel	Channel Frequency MHz	Data Rates	Maximum Conducted Output Power – Peak Measured (dBm)
Channel 36	5180	6	16.1
Channel 52	5260	6	16.6
Channel 64	5320	6	16.3
Channel 149	5745	6	17.1
Channel 157	5785	6	17.2
Channel 165	5825	6	17.5

Frequency and Conducted Power Results Bluetooth

Channel	Channel Frequency MHz	*Data Rate (Mbps)	Maximum Conducted Output Power Measured (dBm)
Channel 40	2441	N/A	3.7



4.1 Battery Status

The device battery was fully charged prior to commencement of measurement. Each SAR test was completed within 30 minutes. The battery condition was monitored by measuring the RF field at a defined position inside the phantom before the commencement of each test and again after the completion of the test. It was not possible to perform conducted power measurements at the output of the device, at the beginning and end of each scan due to lack of a suitable antenna port. The uncertainty associated with the power drift was less than 12% and was assessed in the uncertainty budget.

5.0 DETAILS OF TEST LABORATORY

5.1 Location

EMC Technologies Pty Ltd
176 Harrick Road
Keilor Park, (Melbourne) Victoria
Australia 3042

Telephone: +61 3 9365 1000
Facsimile: +61 3 9331 7455
email: melb@emctech.com.au
website: www.emctech.com.au

5.2 Accreditations

EMC Technologies Pty. Ltd. is accredited by the National Association of Testing Authorities, Australia (NATA).
NATA Accredited Laboratory Number: 5292

EMC Technologies Pty Ltd is NATA accredited for the following standards:

AS/NZS 2772.1:	RF and microwave radiation hazard measurement
ACA:	Radio communications (Electromagnetic Radiation - Human Exposure) Standard 2003
FCC:	Guidelines for Human Exposure to RF Electromagnetic Field OET65C 01/01
EN 50360: 2001	Product standard to demonstrate the compliance of mobile phones with the basic restrictions related to human exposure to electromagnetic fields (300 MHz – 3 GHz)
EN 50361: 2001	Basic standard for the measurement of Specific Absorption Rate related to human exposure to electromagnetic fields from mobile phones (300MHz – 3GHz)
IEEE 1528: 2003	Recommended Practice for Determining the Peak Spatial-Average Specific Absorption Rate (SAR) in the Human Head Due to Wireless Communications Devices: Measurement Techniques.

Refer to NATA website www.nata.asn.au for the full scope of accreditation.

5.3 Environmental Factors

The measurements were performed in a shielded room with no background RF signals. The temperature in the laboratory was controlled to within $21\pm 1^{\circ}\text{C}$, the humidity was in the range 58% to 60%. The liquid parameters are measured daily prior to the commencement of each test. Tests were performed to check that reflections within the environment did not influence the SAR measurements. The noise floor of the DASY4 SAR measurement system using the SN3563 probe was less than $5\mu\text{V}$ in both air and liquid mediums.



6.0 DESCRIPTION OF SAR MEASUREMENT SYSTEM

6.1 Probe Positioning System

The measurements were performed with the state-of-the-art automated near-field scanning system **DASY4 V4.7 Build 53** from Schmid & Partner Engineering AG (SPEAG). The system is based on a high precision 6-axis robot (working range greater than 1.1m), which positions the SAR measurement probes with a positional repeatability of better than ± 0.02 mm. The DASY4 fully complies with the OET65 C (01-01), IEEE 1528 and EN50361 SAR measurement requirements.

6.2 E-Field Probe Type and Performance

The SAR measurements were conducted with SPEAG dosimetric probe EX3DV4 Serial: 3563 (5.6 GHz) designed in the classical triangular configuration and optimised for dosimetric evaluation. The probe has been calibrated and found to be accurate to better than ± 0.25 dB. The probe is suitable for measurements close to material discontinuity at the surface of the phantom. The sensors of the probe are directly loaded with Schottky diodes and connected via highly resistive lines (length = 300 mm) to the data acquisition unit.

6.3 Data Acquisition Electronics

The data acquisition electronics (DAE3) consists of a highly sensitive electrometer-grade preamplifier with auto-zeroing, a channel and gain switching multiplexer, a fast 16 bit AD-converter and a command decoder and control logic unit. The input impedance of the DAE3 box is 200 M Ω ; the inputs are symmetrical and floating. Common mode rejection is above 80dB. Transmission to the PC-card is accomplished through an optical downlink for data and status information as well as an optical uplink for commands and the clock. The mechanical probe-mounting device includes two different sensor systems for frontal and sideways probe contacts. They are used for mechanical surface detection and probe collision detection.

6.4 Validation

6.4.1 Validation Results @ 5GHz

The following table lists the dielectric properties of the tissue simulating liquid measured prior to SAR validation. The results of the validation are listed in columns 4 and 5. The forward power into the reference dipole for SAR validation was adjusted to 250 mW.

Table: Validation Results (Dipole: SPEAG D5GHzV2 SN: 1008)

1. Validation Date	2. ϵ_r (measured)	3. σ (mho/m) (measured)	4. Measured SAR 1g (mW/g)	5. Measured SAR 10g (mW/g)
8 th Jan 08	34.6	5.50	17.8	5.05
9 th Jan 08	36.4	4.86	20.1	5.69

6.4.2 Deviation from reference validation values

Currently no IEEE Std 1528-2003 SAR reference values are available in 5.6 GHz band, as a consequence all validation results were compared against the SPEAG calibration reference SAR values.

The SPEAG calibration reference SAR value is the SAR validation result obtained in a specific dielectric liquid using the validation dipole (D5GHzV2) during calibration. The measured one-gram SAR should be within 10% of the expected target reference values shown in below.

Table: Deviation from reference validation values in 5.6 GHz band.

Frequency and Date	Measured SAR 1g (mW/g)	Measured SAR 1g (Normalized to 1W)	SPEAG Calibration reference SAR Value 1g (mW/g)	Deviation From SPEAG Reference (1g) %
5200MHz	17.8	71.2	78.1	-8.83
5800MHz	20.1	80.4	78.2	2.81

NOTE: All reference validation values are referenced to 1W input power.



This document must not be copied or reproduced, except in full without the written permission of the Manager, EMC Technologies Pty Ltd. The certificate on page 3 may be reproduced in full.

www.emctech.com.au

6.4.3 Liquid Depth 15cm

During the SAR measurement process the liquid level was maintained to a level of a least 15cm with a tolerance of 0.5cm.

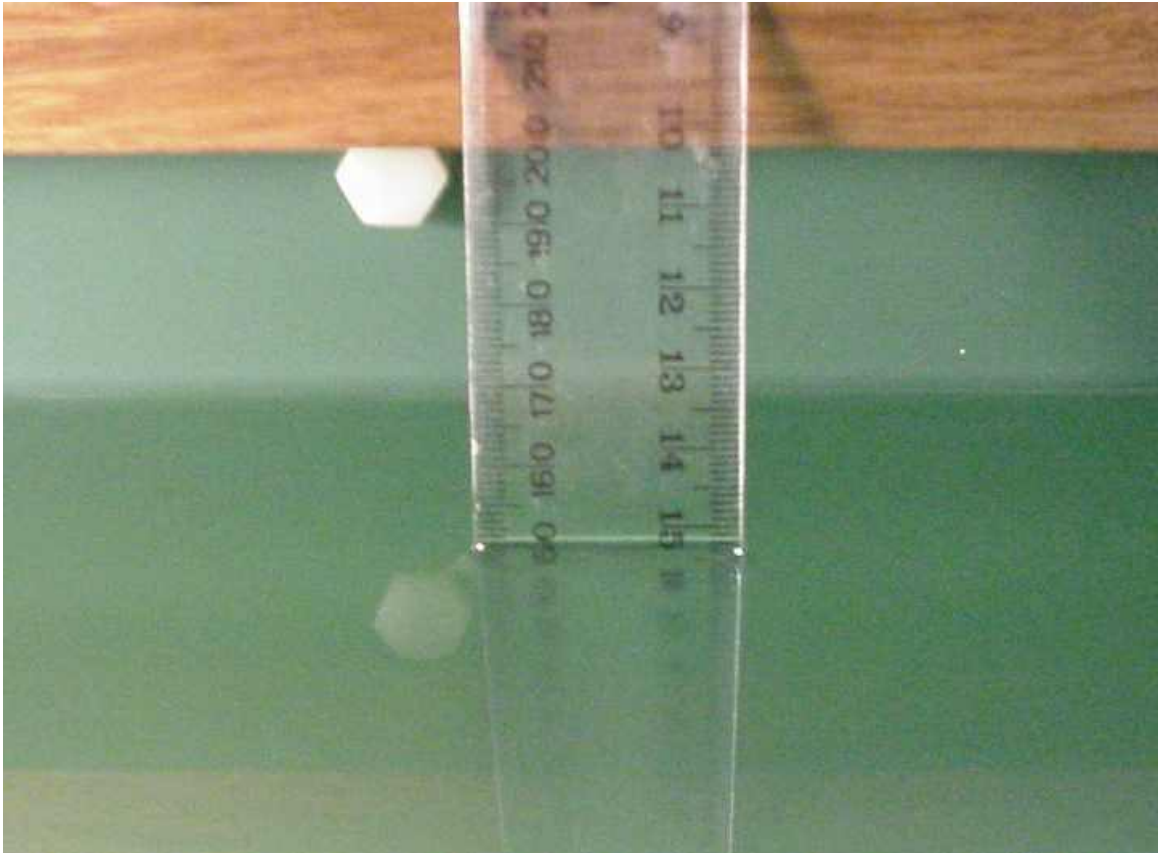


Photo of liquid Depth in Flat Phantom

6.6 Tissue Material Properties

The dielectric parameters of the brain simulating liquid were measured prior to SAR assessment using the HP85070A dielectric probe kit and HP8753ES Network Analyser. The actual dielectric parameters are shown in the following table.

Table: Measured Brain Simulating Liquid Dielectric Values for Validations

Frequency Band	ϵ_r (measured range)	ϵ_r (target)	σ (mho/m) (measured range)	σ (target)	ρ kg/m ³
5200 MHz Brain	36.5	36.0 \pm 5% (34.2 to 37.8)	4.86	4.76 \pm 5% (4.43 to 4.90)	1000
5800 MHz Brain	34.6	35.3 \pm 5% (33.5 to 37.1)	5.50	5.27 \pm 5% (5.01 to 5.53)	1000

NOTE: The brain liquid parameters were within the required tolerances of \pm 5%.

Table: Measured Body Simulating Liquid Dielectric Values for 5200MHz range

Frequency Band	ϵ_r (measured range)	ϵ_r (target)	σ (mho/m) (measured range)	σ (target)	ρ kg/m ³
5180 MHz Muscle	48.0	49.0 \pm 10% (44.1 to 53.9)	5.30	5.3 \pm 10% (4.77 to 5.83)	1000
5260 MHz Muscle	47.7	48.9 \pm 10% (44.01 to 53.8)	5.46	5.4 \pm 10% (4.86 to 5.94)	1000
5320 MHz Muscle	47.6	48.8 \pm 10% (43.9 to 55.3)	5.56	5.4 \pm 10% (4.86 to 5.94)	1000

NOTE: The muscle liquid parameters were within the required tolerances of \pm 10%.

Table: Measured Body Simulating Liquid Dielectric Values for 5800MHz range

Frequency Band	ϵ_r (measured range)	ϵ_r (target)	σ (mho/m) (measured range)	σ (target)	ρ kg/m ³
5745 MHz Muscle	46.6	48.3 \pm 10% (43.47 to 53.13)	6.41	5.9 \pm 10% (5.31 to 6.49)	1000
5785 MHz Muscle	46.4	48.2 \pm 10% (43.38 to 53.02)	6.50	6.0 \pm 10% (5.4 to 6.60)	1000
5825 MHz Muscle	46.3	48.2 \pm 10% (43.38 to 53.02)	6.56	6.0 \pm 10% (5.4 to 6.60)	1000

NOTE: The muscle liquid parameters were within the required tolerances of \pm 10%.



6.6.1 Liquid Temperature and Humidity

The humidity and dielectric/ambient temperatures were recorded during the assessment of the tissue material dielectric parameters. The difference between the ambient temperature of the liquid during the dielectric measurement and the temperature during tests was less than $|2|^\circ\text{C}$.

Table: Temperature and Humidity recorded for each day

Date	Ambient Temperature (°C)	Liquid Temperature (°C)	Humidity (%)
8 th Jan 08	21.4	21.0	58.0
9 th Jan 08	21.6	21.3	60.0

6.7 Simulated Tissue Composition Used for SAR Test

A low loss clamp was used to position the Tablet underneath the phantom surface. Small pieces of foam were then used to press the Tablet flush against the phantom surface.

Table: Tissue Type: Muscle @ 5600MHz

Volume of Liquid: 60 Litres

EMCT Liquid

Composition
Distilled Water
Salt
Triton X-100

6.8 Device Holder for Laptops and P 10.1 Phantom

A low loss clamp was used to position the Laptop underneath the phantom surface. Small pieces of foam were then used to press the laptop flush against the phantom surface.

Refer to Appendix A for photographs of device positioning



7.0 SAR MEASUREMENT PROCEDURE USING DASY4

The SAR evaluation was performed with the SPEAG DASY4 system. A summary of the procedure follows:

- a) A measurement of the SAR value at a fixed location is used as a reference value for assessing the power drop of the EUT. The SAR at this point is measured at the start of the test, and then again at the end of the test.
- b) The SAR distribution at the exposed flat section of the flat phantom is measured at a distance of 2.0 mm from the inner surface of the shell. The area covers the entire dimension of the EUT and the horizontal grid spacing is 15 mm x 15 mm. The actual Area Scan has dimensions of 81 mm x 201 mm surrounding the test device. Based on this data, the area of the maximum absorption is determined by Spline interpolation. The first “pre-scans” covered an area of 111 mm x 141 mm to ensure that the hotspot was correctly identified.
- c) Around this point, a volume of 30 mm x 30 mm x 24 mm is assessed by measuring 7 x 7 x 8 points. On the basis of this data set, the spatial peak SAR value is evaluated with the following procedure:
 - (i) The data at the surface are extrapolated, since the centre of the dipoles is 1.0 mm away from the tip of the probe and the distance between the surface and the lowest measuring point is 2.0 mm. The extrapolation is based on a least square algorithm. A polynomial of the fourth order is calculated through the points in z-axis. This polynomial is then used to evaluate the points between the surface and the probe tip.
 - (ii) The maximum interpolated value is searched with a straightforward algorithm. Around this maximum the SAR values averaged over the spatial volumes (1 g and 10 g) are computed using the 3D-Spline interpolation algorithm. The 3D-Spline is composed of three one-dimensional splines with the “Not a knot”- condition (in x, y and z-direction). The volume is integrated with the trapezoidal – algorithm. One thousand points (10 x 10 x 10) are interpolated to calculate the averages.
 - (iii) All neighbouring volumes are evaluated until no neighbouring volume with a higher average value is found.
 - (iv) The SAR value at the same location as in Step (a) is again measured to evaluate the actual power drift.



8.0 MEASUREMENT UNCERTAINTY

The uncertainty analysis is based on the template listed in the IEEE Std 1528-2003 for both Handset SAR tests and Validation uncertainty. The measurement uncertainty of a specific device is evaluated independently.

Table: Uncertainty Budget for DASY4 Version V4.7 Build 53 – EUT SAR test 5GHz

a	b	c	d	e= f(d,k)	f	g	h=cxf/e	i=cxg/e	k
Uncertainty Component	Sec.	Tol. (%)	Prob. Dist.	Div.	C _i (1g)	C _i (10g)	1g u _i (%)	10g u _i (%)	v _i
Measurement System									
Probe Calibration (k=1) (numerical calibration)	7.2.1	4.8	N	1	1	1	4.8	4.8	∞
Axial Isotropy	7.2.1	4.7	R	1.73	0.707	0.707	1.9	1.9	∞
Hemispherical Isotropy	7.2.1	9.6	R	1.73	0.707	0.707	3.9	3.9	∞
Boundary Effect	7.2.1	1	R	1.73	1	1	0.6	0.6	∞
Linearity	7.2.1	4.7	R	1.73	1	1	2.7	2.7	∞
System Detection Limits	7.2.1	1	R	1.73	1	1	0.6	0.6	∞
Readout Electronics	7.2.1	1	N	1	1	1	1.0	1.0	∞
Response Time	7.2.1	0.8	R	1.73	1	1	0.5	0.5	∞
Integration Time	7.2.1	2.6	R	1.73	1	1	1.5	1.5	∞
RF Ambient Conditions	7.2.3	0.05	R	1.73	1	1	0.0	0.0	∞
Probe Positioner Mechanical Tolerance	7.2.2	0.4	R	1.73	1	1	0.2	0.2	∞
Probe Positioning with respect to Phantom Shell	7.2.2	2.9	R	1.73	1	1	1.7	1.7	∞
Extrapolation, interpolation and Integration Algorithms for Max. SAR Evaluation	7.2.4	1	R	1.73	1	1	0.6	0.6	∞
Test Sample Related									
Test Sample Positioning	7.2.2	1.61	N	1	1	1	1.6	1.6	11
Device Holder Uncertainty									
Output Power Variation – SAR Drift Measurement	7.2.3	12.2	R	1.73	1	1	7.0	7.0	∞
Phantom and Tissue Parameters									
Phantom Uncertainty (shape and thickness tolerances)	7.2.2	4	R	1.73	1	1	2.3	2.3	∞
Liquid Conductivity – Deviation from target values	7.2.3	5	R	1.73	0.64	0.43	1.8	1.2	∞
Liquid Conductivity – Measurement uncertainty	7.2.3	4.3	N	1	0.64	0.43	2.8	1.8	5
Liquid Permittivity – Deviation from target values	7.2.3	5	R	1.73	0.6	0.49	1.7	1.4	∞
Liquid Permittivity – Measurement uncertainty	7.2.3	4.3	N	1	0.6	0.49	2.6	2.1	5
Combined standard Uncertainty			RSS				11.6	11.2	154
Expanded Uncertainty (95% CONFIDENCE LEVEL)			k=2				23.2	22.42	

Estimated total measurement uncertainty for the DASY4 measurement system was $\pm 11.6\%$. The extended uncertainty (K = 2) was assessed to be $\pm 23.2\%$ based on 95% confidence level. The uncertainty is not added to the measurement result.



Table: Uncertainty Budget for DASY4 Version V4.7 Build 53 – Validation 5GHz

a	b	c	d	e= f(d,k)	f	g	h=cxf/e	i=cxg/e	k
Uncertainty Component	Sec.	Tol. (%)	Prob. Dist.	Div.	C _i (1g)	C _i (10g)	1g u _i (%)	10g u _i (%)	v _i
Measurement System									
Probe Calibration (k=1) (standard calibration)	E.2.1	6.6	N	1	1	1	6.6	6.6	∞
Axial Isotropy	E.2.2	4.7	R	1.73	1	1	2.7	2.7	∞
Hemispherical Isotropy	E.2.2	0	R	1.73	1	1	0.0	0.0	∞
Boundary Effect	E.2.3	2	R	1.73	1	1	1.2	1.2	∞
Linearity	E.2.4	4.7	R	1.73	1	1	2.7	2.7	∞
System Detection Limits	E.2.5	1	R	1.73	1	1	0.6	0.6	∞
Readout Electronics	E.2.6	1	N	1	1	1	1.0	1.0	∞
Response Time	E.2.7	0	R	1.73	1	1	0.0	0.0	∞
Integration Time	E.2.8	0	R	1.73	1	1	0.0	0.0	∞
RF Ambient Conditions	E.6.1	0.075	R	1.73	1	1	0.0	0.0	∞
Probe Positioner Mechanical Tolerance	E.6.2	0.8	R	1.73	1	1	0.5	0.5	∞
Probe Positioning with respect to Phantom Shell	E.6.3	5.7	R	1.73	1	1	3.3	3.3	∞
Extrapolation, interpolation and Integration Algorithms for Max. SAR Evaluation	E.5	4	R	1.73	1	1	2.3	2.3	∞
Test Sample Related									
Dipole Axis to Liquid distance	E.4.2	2	N	1	1	1	2.0	2.0	11
Output Power Variation – SAR Drift Measurement	6.6.2	4.7	R	1.73	1	1	2.7	2.7	∞
Phantom and Tissue Parameters									
Phantom Uncertainty (shape and thickness tolerances)	E.3.1	4	R	1.73	1	1	2.3	2.3	∞
Liquid Conductivity – Deviation from target values	E.3.2	5	R	1.73	0.64	0.43	1.8	1.2	∞
Liquid Conductivity – Measurement uncertainty	E.3.3	2.5	N	1	0.64	0.43	1.6	1.1	5
Liquid Permittivity – Deviation from target values	E.3.2	5	R	1.73	0.6	0.49	1.7	1.4	∞
Liquid Permittivity – Measurement uncertainty	E.3.3	2.5	N	1	0.6	0.49	1.5	1.2	5
Combined standard Uncertainty			RSS				10.3	10.0	154
Expanded Uncertainty (95% CONFIDENCE LEVEL)			k=2				20.5	20.02	

Estimated total measurement uncertainty for the DASY4 measurement system was ±10.3%. The extended uncertainty (K = 2) was assessed to be ±20.5% based on 95% confidence level. The uncertainty is not added to the measurement result.



This document must not be copied or reproduced, except in full without the written permission of the Manager, EMC Technologies Pty Ltd. The certificate on page 3 may be reproduced in full.

www.emctech.com.au

9.0 EQUIPMENT LIST AND CALIBRATION DETAILS

Table: SPEAG DASY4 Version V4.7 Build 53

Equipment Type	Manufacturer	Model Number	Serial Number	Calibration Due	Used For this Test?
Robot - Six Axes	Staubli	RX90BL	N/A	Not applicable	Yes
Robot Remote Control	SPEAG	CS7MB	RX90B	Not applicable	Yes
SAM Phantom	SPEAG	N/A	1260	Not applicable	Yes
SAM Phantom	SPEAG	N/A	1060	Not applicable	Yes
Flat Phantom	AndreT	10.1	P 10.1	Not Applicable	Yes
Flat Phantom	AndreT	9.1	P 9.1	Not Applicable	No
Flat Phantom	SPEAG	PO1A 6mm	1003	Not Applicable	No
Data Acquisition Electronics	SPEAG	DAE3 V1	359	03-July-2008	Yes
Data Acquisition Electronics	SPEAG	DAE3 V1	442	17-Dec-2008	No
Probe E-Field - Dummy	SPEAG	DP1	N/A	Not applicable	No
Probe E-Field	SPEAG	ET3DV6	1380	18-Dec-2008	No
Probe E-Field	SPEAG	ET3DV6	1377	09-July-2008	No
Probe E-Field	SPEAG	ES3DV6	3029	Not Used	No
Probe E-Field	SPEAG	EX3DV4	3563	13-July-2008	Yes
Antenna Dipole 300 MHz	SPEAG	D300V2	1005	14-Dec-2009	No
Antenna Dipole 450 MHz	SPEAG	D450V2	1009	14-Dec-2008	No
Antenna Dipole 900 MHz	SPEAG	D900V2	047	6-July-2008	No
Antenna Dipole 1640 MHz	SPEAG	D1640V2	314	30-June-2008	No
Antenna Dipole 1800 MHz	SPEAG	D1800V2	242	3-July-2008	No
Antenna Dipole 1950 MHz	SPEAG	D1950V3	1113	5-March-2009	No
Antenna Dipole 3500 MHz	SPEAG	D3500V2	1002	06-July-2008	No
Antenna Dipole 2450 MHz	SPEAG	D2450V2	724	13-Dec-2008	No
Antenna Dipole 5600 MHz	SPEAG	D5GHzV2	1008	07-Dec-2009	Yes
RF Amplifier	EIN	603L	N/A	*In test	No
RF Amplifier	Mini-Circuits	ZHL-42	N/A	*In test	No
RF Amplifier	Mini-Circuits	ZVE-8G	N/A	*In test	Yes
Synthesized signal generator	Hewlett Packard	ESG-D3000A	GB37420238	*In test	Yes
RF Power Meter Dual	Hewlett Packard	437B	3125012786	30-May-2008	Yes
RF Power Sensor 0.01 - 18 GHz	Hewlett Packard	8481H	1545A01634	30-May-2008	Yes
RF Power Meter Dual	Gigatronics	8542B	1830125	11-May-2008	Yes
RF Power Sensor	Gigatronics	80301A	1828805	11-May-2008	Yes
RF Power Meter Dual	Hewlett Packard	435A	1733A05847	*In test	Yes
RF Power Sensor	Hewlett Packard	8482A	2349A10114	*In test	Yes
Network Analyser	Hewlett Packard	8714B	GB3510035	06-Sept-2008	Yes
Network Analyser	Hewlett Packard	8753ES	JP39240130	02 Oct-2008	No
Dual Directional Coupler	Hewlett Packard	778D	1144 04700	*In test	No
Dual Directional Coupler	NARDA	3022	75453	*In test	Yes

* Calibrated during the test for the relevant parameters.



This document must not be copied or reproduced, except in full without the written permission of the Manager, EMC Technologies Pty Ltd. The certificate on page 3 may be reproduced in full.

www.emctech.com.au

10.0 OET BULLETIN 65 – SUPPLEMENT C TEST METHOD

Notebooks should be evaluated in normal use positions, typical for lap-held bottom-face only. However the number of positions will depend on the number of configurations the laptop can be operated in. The “RYUGA” can be used in either a conventional laptop position (see Appendix A1) or a Tablet configuration. The antenna location in the “RYUGA” is closest to the top of the screen when used in a conventional laptop configuration and due to the separation distances involved between the phantom and the laptop antenna, testing is not required in this position.

10.1 Position

Applicable Head Configurations	: None
Applicable Body Configurations	: Tablet Position
	: Edge On Position

The “RYUGA” Portable PCs use interactive screen modes that allow the user to place their arms/hands on the screen. To account for occasional exposure to the arms, SAR tests were performed with the PC screen facing the phantom.

Therefore SAR measurements were performed with the front and back of the laptop facing the flat section of the AndreT Flat phantom (P 10.1). See Appendix A for photos of test positions.

10.1.1 “Tablet” Position Definition (0mm spacing)

The device was tested in the 2.00 mm flat section of the AndreT Flat phantom P 10.1 for the “Tablet” position. The Transceiver was placed at the bottom of the phantom and suspended in such way that the back of the device was touching the phantom. This device orientation simulates the PC’s normal use – being held on the lap of the user. A spacing of 0mm ensures that the SAR results are conservative and represent a worst-case position.

10.1.2 “Edge On” Position

The device was tested in the (2.00 mm) flat section of the AndreT phantom for the “Edge On” position. The Antenna edge of the Transceiver was placed underneath the flat section of the phantom and suspended until the edge touched the phantom. *Refer to Appendix A for photos of measurement positions.*



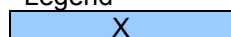
10.2 List of All Test Cases (Antenna In/Out, Test Frequencies, User Modes)

The device has a fixed antenna. Depending on the measured SAR level up to three test channels with the test sample operating at maximum power, as specified in section 4.0 were recorded. The following table represents the matrix used to determine what testing was required. The worst case result was verified with the Bluetooth transmitting at full power in co-transmission with the WLAN.

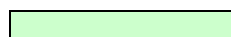
Table: Testing configurations

Phantom Configuration	*Device Mode	Antenna	Test Configurations		
			Channel (Low)	Channel (Middle)	Channel (High)
Tablet	OFDM 5GHz	A		X	
		B		X	
Edge On	OFDM 5GHz	A		X	
		B		X	

Legend



Testing Required in this configuration



Testing required in this configuration only if SAR of middle channel is more than 3dB below the SAR limit or it is the worst case.

10.3 FCC RF Exposure Limits for Occupational/ Controlled Exposure

Spatial Peak SAR Limits For:	
Partial-Body:	8.0 mW/g (averaged over any 1g cube of tissue)
Hands, Wrists, Feet and Ankles:	20.0 mW/g (averaged over 10g cube of tissue)

10.4 FCC RF Exposure Limits for Un-controlled/Non-occupational

Spatial Peak SAR Limits For:	
Partial-Body:	1.6 mW/g (averaged over any 1g cube of tissue)
Hands, Wrists, Feet and Ankles:	4.0 mW/g (averaged over 10g cube of tissue)



11.0 SAR MEASUREMENT RESULTS

The SAR values averaged over 1g tissue masses were determined for the sample device for all test configurations listed in section 7.2.

11.1 GHz Band SAR Results

Table: SAR MEASUREMENT RESULTS Lower Band – OFDM Mode

Test Position	Plot No.	Ant	Bit rate Mode (Mbps)	Channel Bandwidth (MHz)	Test Channel	Test Freq (MHz)	Measured 1g SAR Results (mW/g)	Measured Drift (dB)
*Tablet	1	A	6	-	52	5240	Pre-scan 0.09	-
*Tablet	2	B	6	-	52	5240	Pre-scan 0.19	-
*Edge On Far Side	3	B	6	-	52	5240	Pre-scan	-
Edge On Side	4	A	6	-	52	5240	0.09	0.17
Edge On Side	5	B	6	-	36	5180	0.30	-0.27
Edge On Side	6	B	6	-	52	5240	0.41	-0.06
Edge On Side	7	B	6	-	64	5320	0.45	-0.06
Edge On w/ Extended Battery	8	B	6	-	64	5320	0.56	-0.08
Edge On w/ Bluetooth On	9	B	6	-	64	5320	0.43	-0.36

NOTE: The measurement uncertainty of 23.2% for 5GHz testing is not added to the result.

*Pre-scan

The highest SAR level recorded in the 5.2 GHz band was 0.56 mW/g as evaluated in a 1g cube of averaging mass. This value was obtained in Edge On position in OFDM mode with the extended battery, utilizing channel 64 (5320 MHz) and antenna B. The Bluetooth was ON at the Frequency of 2441 MHz.



Table: SAR MEASUREMENT RESULTS Upper Band – OFDM Mode

Test Position	Plot No.	Ant	Bit rate Mode (Mbps)	Channel Bandwidth (MHz)	Test Channel	Test Freq (MHz)	Measured 1g SAR Results (mW/g)	Measured Drift (dB)
*Tablet	10	A	6	-	157	5785	Pre-scan 0.16	-
*Tablet	11	B	6	-	157	5785	Pre-scan 0.12	-
*Edge On Far Side	12	B	6	-	157	5785	Pre-scan	-
Edge On	13	B	6	-	149	5745	0.58	-0.45
	14	B	6	-	157	5785	0.56	-0.22
	15	B	6	-	165	5805	0.79	-0.50
Edge On Side	16	A	6	-	157	5785	0.19	-0.03
Edge On w/ Extended Battery	17	B	6	-	165	5805	0.78	-0.50
Edge On w/ Bluetooth On	18	B	6	-	165	5805	0.84	-0.16

NOTE: The measurement uncertainty of 23.2% for 5GHz testing is not added to the result.

*This plot was used for identifying the “hotspot” only.

The highest SAR level recorded in the 5.8 GHz band was 0.84 mW/g as evaluated in a 1g cube of averaging mass. This value was obtained in Edge On Side position with Bluetooth On in OFDM mode, utilizing channel 165 (5805MHz) and antenna B. The Bluetooth was ON at the Frequency of 2441 MHz.

12.0 COMPLIANCE STATEMENT

The Fujitsu TABLET PC, Model: P1620 with INTEL Mini-PCI Wireless LAN Module (KEDRON 802.11a/b/g), Model: 4965AG & TAIYO YUDEN Bluetooth Module, Model: EYTF3CS FT was found to comply with the FCC and RSS-102 SAR requirements.

The highest SAR level recorded was 0.84 mW/g for a 1g cube. This value was measured at 5805 MHz (channel 165) in the “Edge On Side” position with Bluetooth On at the frequency of 2441 MHz in OFDM modulation mode at the antenna B. This was below the limit of 1.6 mW/g for uncontrolled exposure, even taking into account the measurement uncertainty of 23.2 %.



This document must not be copied or reproduced, except in full without the written permission of the Manager, EMC Technologies Pty Ltd. The certificate on page 3 may be reproduced in full.

www.emctech.com.au

APPENDIX A1 TEST SAMPLE PHOTOGRAPHS

P1620 Host - Conventional Laptop Configuration



P1620 Host - Tablet Configuration



This document must not be copied or reproduced, except in full without the written permission of the Manager, EMC Technologies Pty Ltd. The certificate on page 3 may be reproduced in full.
www.emctech.com.au

APPENDIX A2 TEST SAMPLE PHOTOGRAPHS

Model: 4965AG – WLAN Module

Front



Back



APPENDIX A3 TEST SAMPLE PHOTOGRAPHS

Standard Battery



Extended Battery

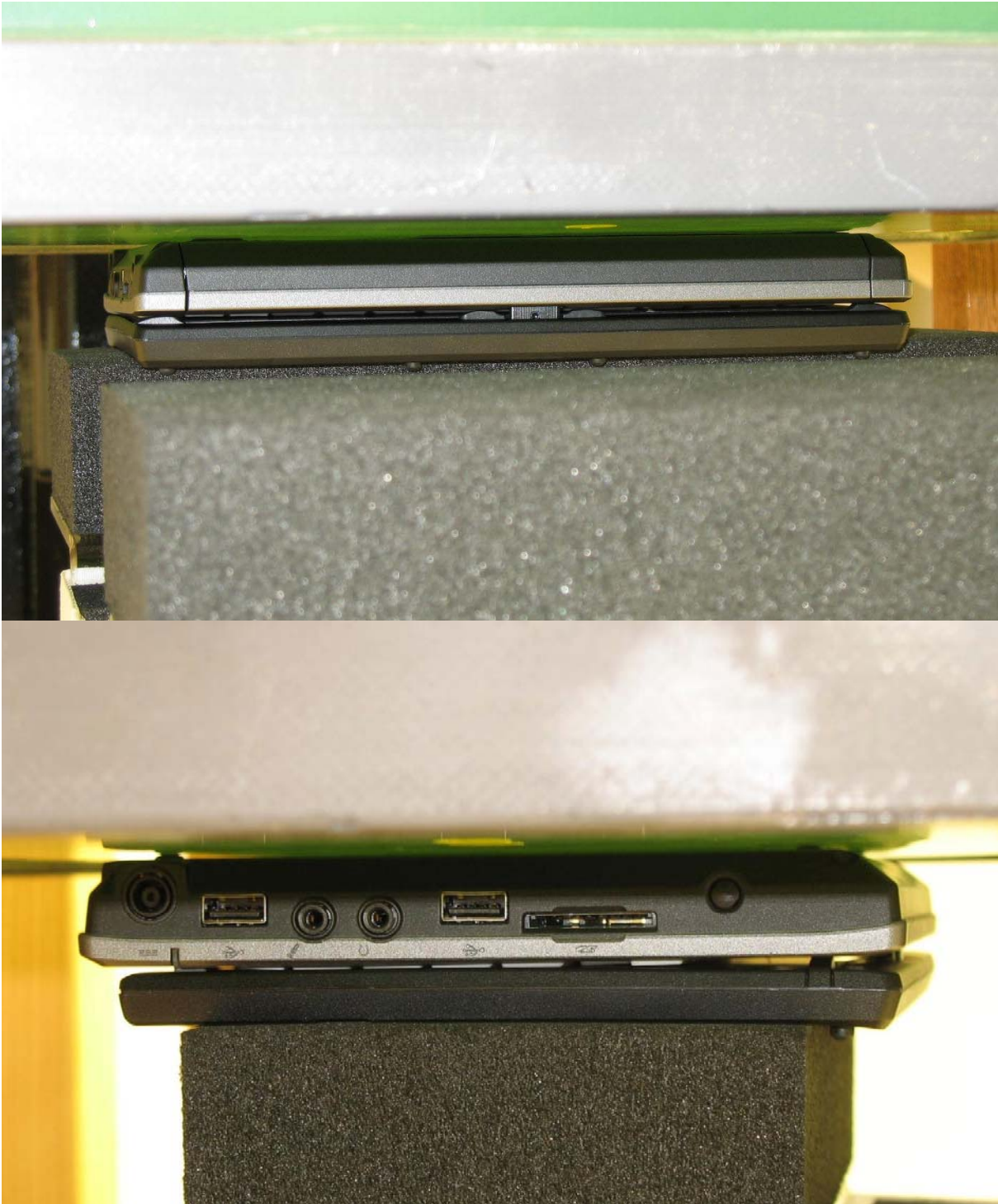


4965AG inside the Fujitsu TABLET Computer



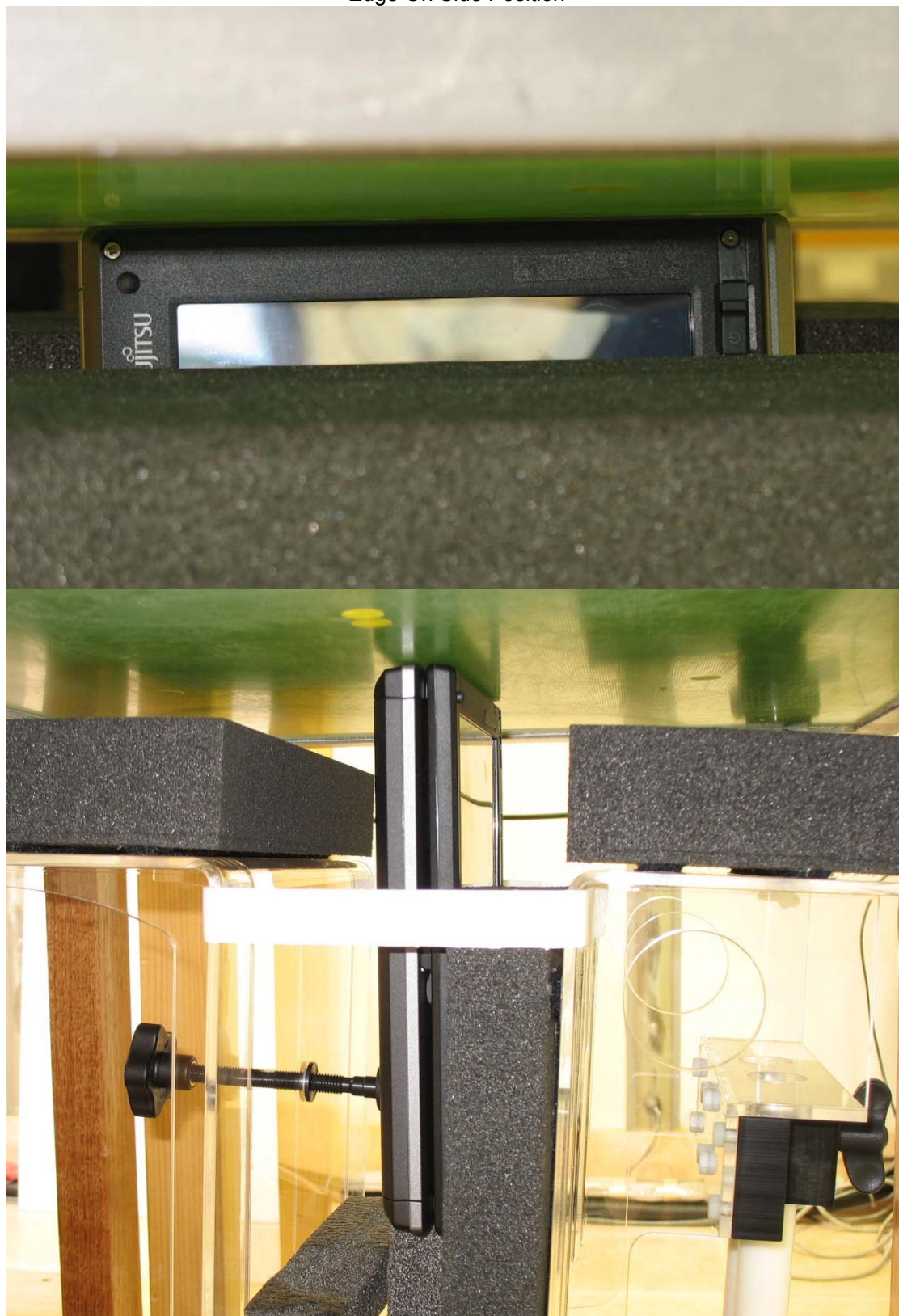
APPENDIX A4 TEST SETUP PHOTOGRAPHS

Tablet Position



APPENDIX A5 TEST SAMPLE PHOTOGRAPHS

Edge On Side Position



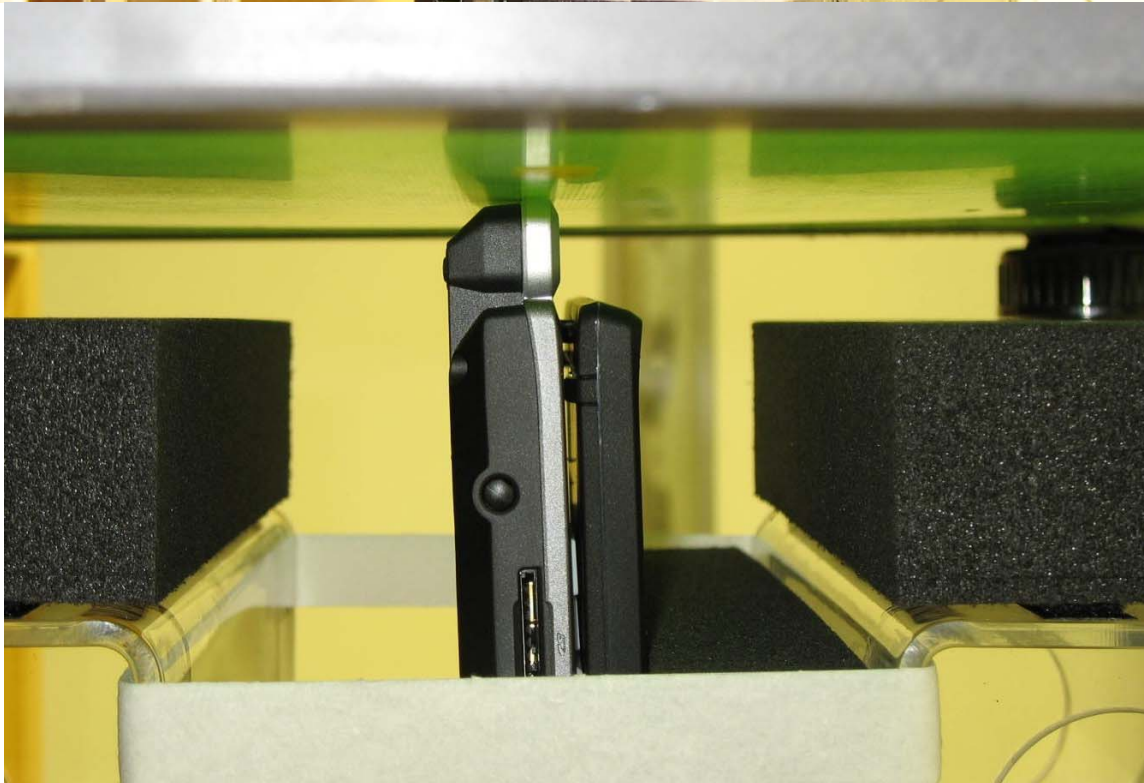
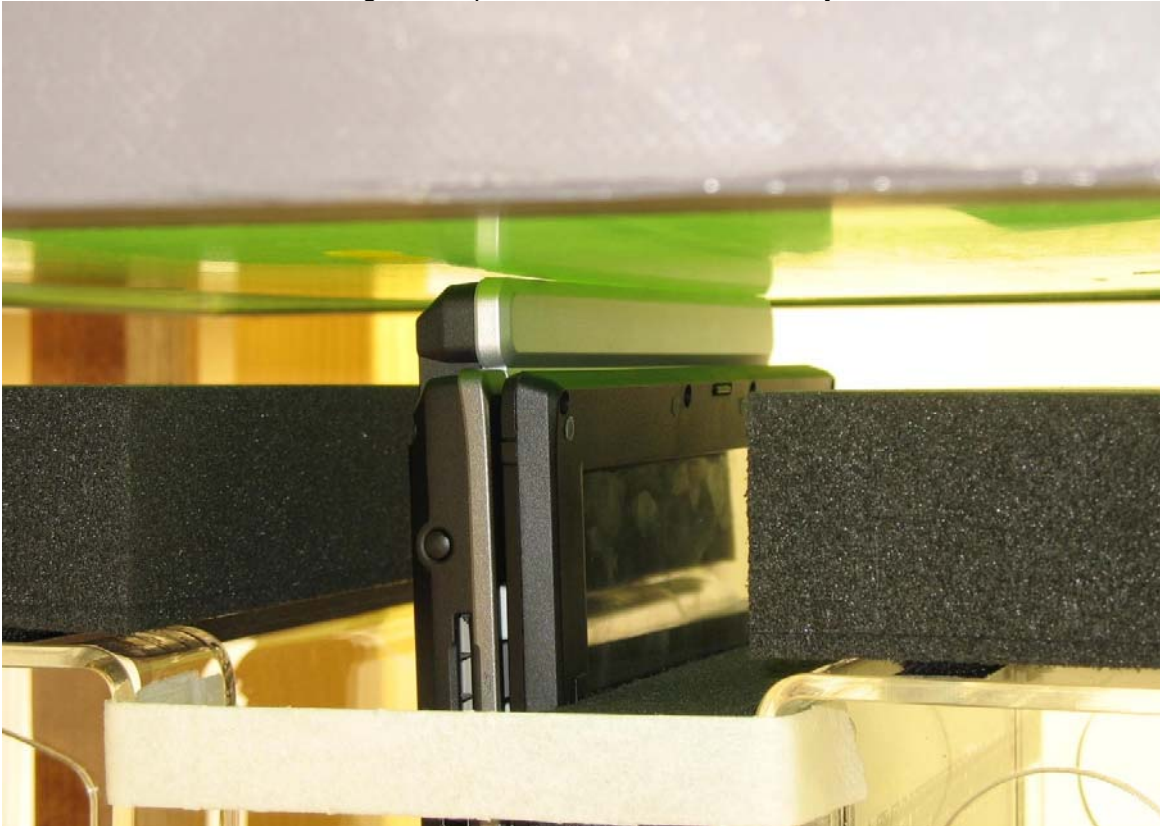
APPENDIX A6 TEST SAMPLE PHOTOGRAPHS

Edge On Far Side Position



APPENDIX A7 TEST SAMPLE PHOTOGRAPHS

Edge On Top Position w/ Extended Battery



This document must not be copied or reproduced, except in full without the written permission of the Manager, EMC Technologies Pty Ltd. The certificate on page 3 may be reproduced in full.
www.emctech.com.au

APPENDIX B PLOTS OF THE SAR MEASUREMENTS

Plots of the measured SAR distributions inside the phantom are given in this Appendix for all tested configurations. The spatial peak SAR values were assessed with the procedure described in this report.

Table: 5200 MHz Band SAR Measurement Plot Numbers

Test Position	Plot No.	Ant	Bit rate Mode (Mbps)	Test Channel
*Tablet	1	A	6	52
*Tablet	2	B	6	52
Z-Graphs for Plots 1 - 2				
*Edge On Far Side	3	B	6	52
Edge On Side	4	A	6	52
Edge On Side	5	B	6	36
Z-Graphs for Plots 4 - 5				
Edge On Side	6	B	6	52
Edge On Side	7	B	6	64
Z-Graphs for Plots 6 - 7				
Edge On w/ Extended Battery	8	B	6	64
Edge On w/ Bluetooth On	9	B	6	64
Z-Graphs for Plots 8 - 9				

Table: 5800 MHz Band SAR Measurement Plot Numbers

Test Position	Plot No.	Ant	Bit rate Mode (Mbps)	Test Channel
*Tablet	10	A	6	157
*Tablet	11	B	6	157
Z-Graphs for Plots 10 - 11				
*Edge On Far Side	12	B	6	157
Edge On	13	B	6	149
	14	B	6	157
	15	B	6	165
Z-Graphs for Plots 13 - 14				
Edge On Side	16	A	6	157
Edge On w/ Extended Battery	17	B	6	165
Edge On w/ Bluetooth On	18	B	6	165
Z-Graphs for Plots 16 - 18				

Table: Validation Plots

Plot 19	Validation 5200 MHz 8 th Dec 2008
Plot 20	Validation 5800 MHz 9 th Dec 2008
Z-Axis graphs for Plots 19 to 20	



Test Date: 09 January 2008

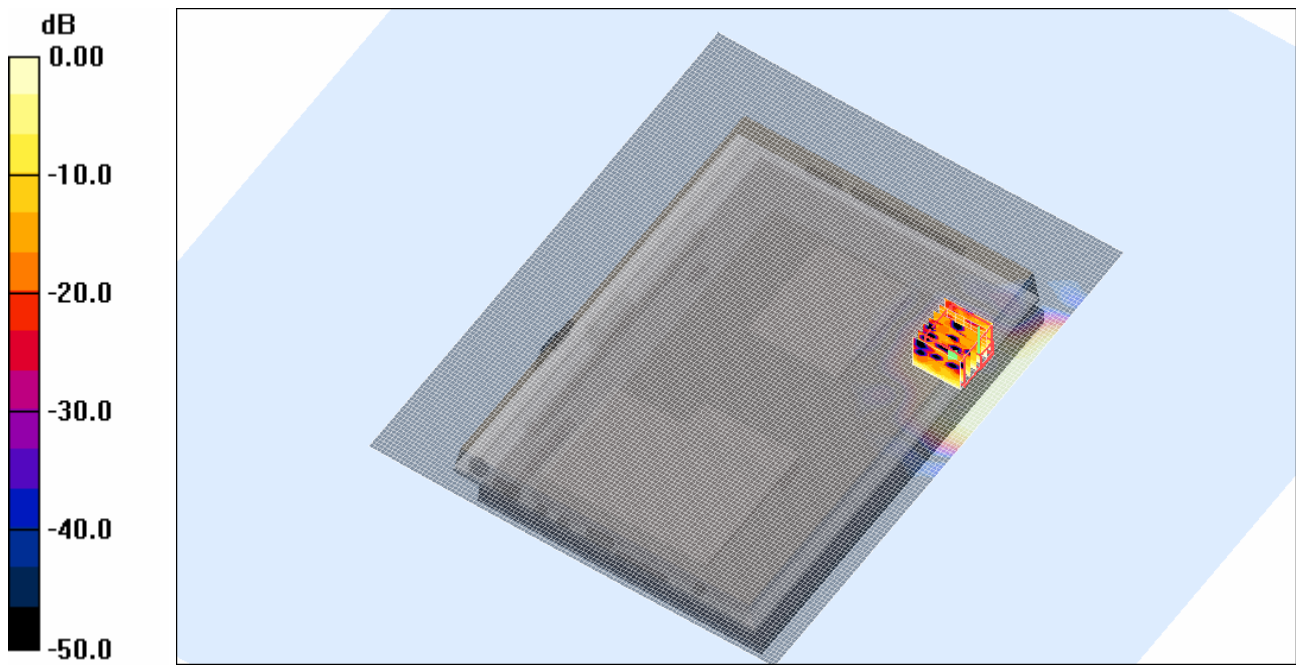
File Name: Tablet OFDM 5.2 GHz Antenna A Bluetooth Off Prescan 09-01-08.da4

DUT: Fujitsu Tablet Ryuga with Kedron 11abg and Bluetooth; Type: 4965 AG; Serial: MAC: 0013E805C841

- * Communication System: OFDM 5250 MHz; Frequency: 5260 MHz; Duty Cycle: 1:1
- * Medium parameters used: $\sigma = 5.46476$ mho/m, $\epsilon_r = 47.737$; $\rho = 1000$ kg/m³
- Electronics: DAE3 Sn359; Probe: EX3DV4 - SN3563; ConvF(3.79, 3.79, 3.79)
- Phantom: Flat Phantom 10.1; Serial: P 10.1; Phantom section: Flat 2.2 Section

Channel 52 Test/Area Scan (111x141x1): Measurement grid: dx=20mm, dy=20mm
 Maximum value of SAR (interpolated) = 0.224 mW/g

Channel 52 Test/Zoom Scan (7x7x8)/Cube 0: Measurement grid: dx=4.3mm, dy=4.3mm, dz=3mm
 Reference Value = 4.92 V/m; Power Drift = -1.15 dB
 Peak SAR (extrapolated) = 0.317 W/kg
SAR(1 g) = 0.091 mW/g; SAR(10 g) = 0.024 mW/g
 Maximum value of SAR (measured) = 0.183 mW/g



0 dB = 0.183mW/g

SAR MEASUREMENT PLOT 1

Ambient Temperature
 Liquid Temperature
 Humidity

21.6 Degrees Celsius
 21.3 Degrees Celsius
 60.0 %



Test Date: 09 January 2008

File Name: Tablet OFDM 5.2 GHz Antenna B Bluetooth Off Prescan 09-01-08.da4

DUT: Fujitsu Tablet Ryuga with Kedron 11abg and Bluetooth; Type: 4965 AG; Serial: MAC: 0013E805C841

* Communication System: OFDM 5250 MHz; Frequency: 5260 MHz; Duty Cycle: 1:1

* Medium parameters used: $\sigma = 5.46476$ mho/m, $\epsilon_r = 47.737$; $\rho = 1000$ kg/m³

- Electronics: DAE3 Sn359; Probe: EX3DV4 - SN3563; ConvF(3.79, 3.79, 3.79)

- Phantom: Flat Phantom 10.1; Serial: P 10.1; Phantom section: Flat 2.2 Section

Channel 52 Test/Area Scan (111x141x1): Measurement grid: dx=20mm, dy=20mm

Maximum value of SAR (interpolated) = 0.296 mW/g

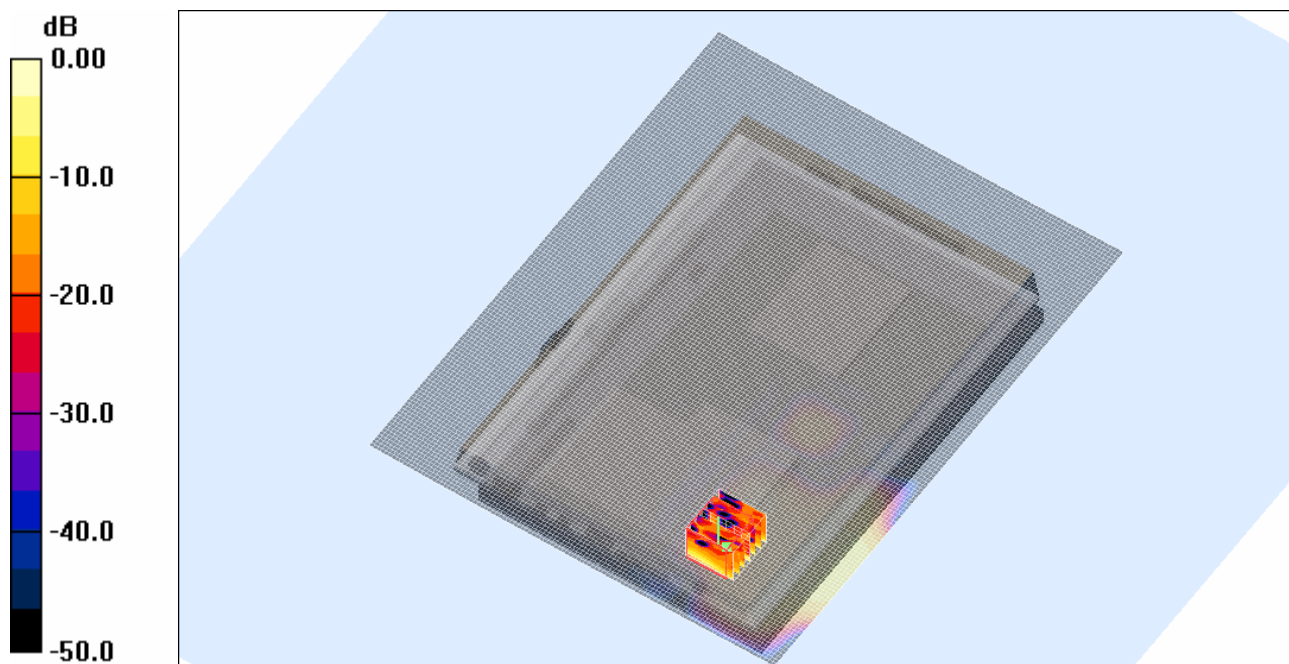
Channel 52 Test/Zoom Scan (7x7x8)/Cube 0: Measurement grid: dx=4.3mm, dy=4.3mm, dz=3mm

Reference Value = 5.29 V/m; Power Drift = 0.278 dB

Peak SAR (extrapolated) = 0.675 W/kg

SAR(1 g) = 0.185 mW/g; SAR(10 g) = 0.054 mW/g

Maximum value of SAR (measured) = 0.411 mW/g



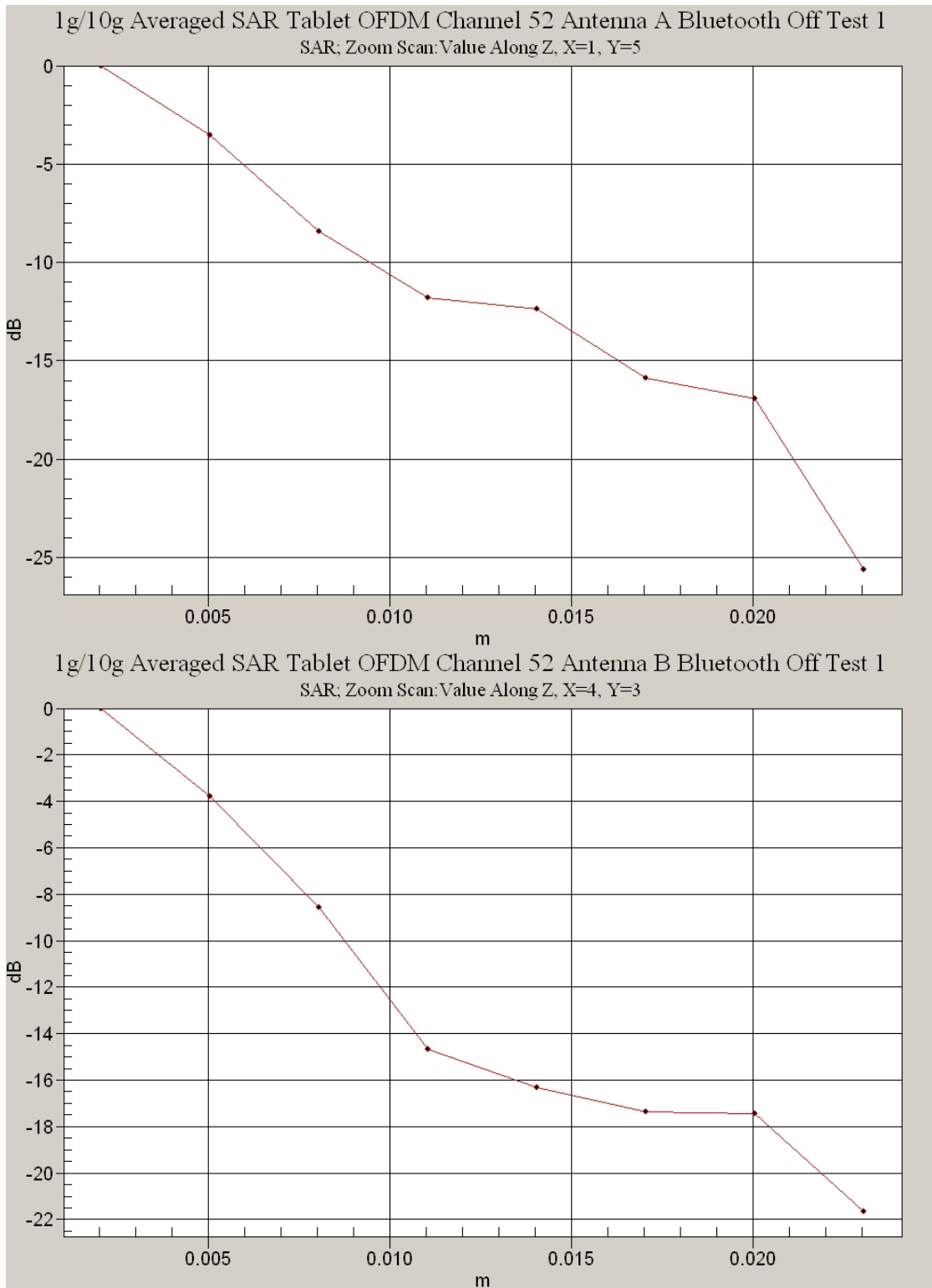
0 dB = 0.411mW/g

SAR MEASUREMENT PLOT 2

Ambient Temperature
Liquid Temperature
Humidity

21.6 Degrees Celsius
21.3 Degrees Celsius
60.0 %





This document must not be copied or reproduced, except in full without the written permission of the Manager, EMC Technologies Pty Ltd. The certificate on page 3 may be reproduced in full.
www.emctech.com.au

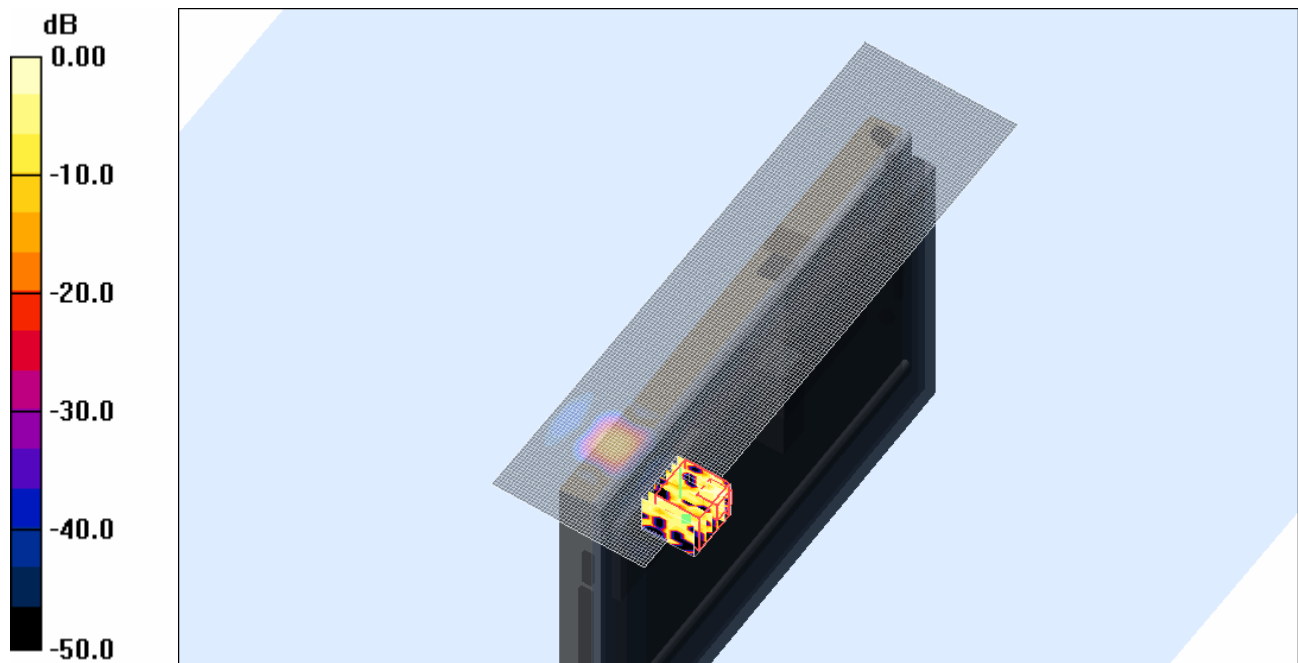
Test Date: 09 January 2008

File Name: Edge On OFDM 5.2 GHz Antenna B Far Side Bluetooth Off 09-01-08.da4

DUT: Fujitsu Tablet Ryuga with Kedron 11abg and Bluetooth; Type: 4965 AG; Serial: MAC: 0013E805C841

- * Communication System: OFDM 5250 MHz; Frequency: 5260 MHz; Duty Cycle: 1:1
- * Medium parameters used: $\sigma = 5.46476$ mho/m, $\epsilon_r = 47.737$; $\rho = 1000$ kg/m³
- Electronics: DAE3 Sn359; Probe: EX3DV4 - SN3563; ConvF(3.79, 3.79, 3.79)
- Phantom: Flat Phantom 10.1; Serial: P 10.1; Phantom section: Flat 2.2 Section

Channel 52 Test/Area Scan (51x181x1): Measurement grid: dx=15mm, dy=15mm
 Maximum value of SAR (interpolated) = 0.010 mW/g



SAR MEASUREMENT PLOT 3

Ambient Temperature
Liquid Temperature
Humidity

21.6 Degrees Celsius
21.3 Degrees Celsius
60.0 %



This document must not be copied or reproduced, except in full without the written permission of the Manager, EMC Technologies Pty Ltd. The certificate on page 3 may be reproduced in full.
www.emctech.com.au

Test Date: 09 January 2008

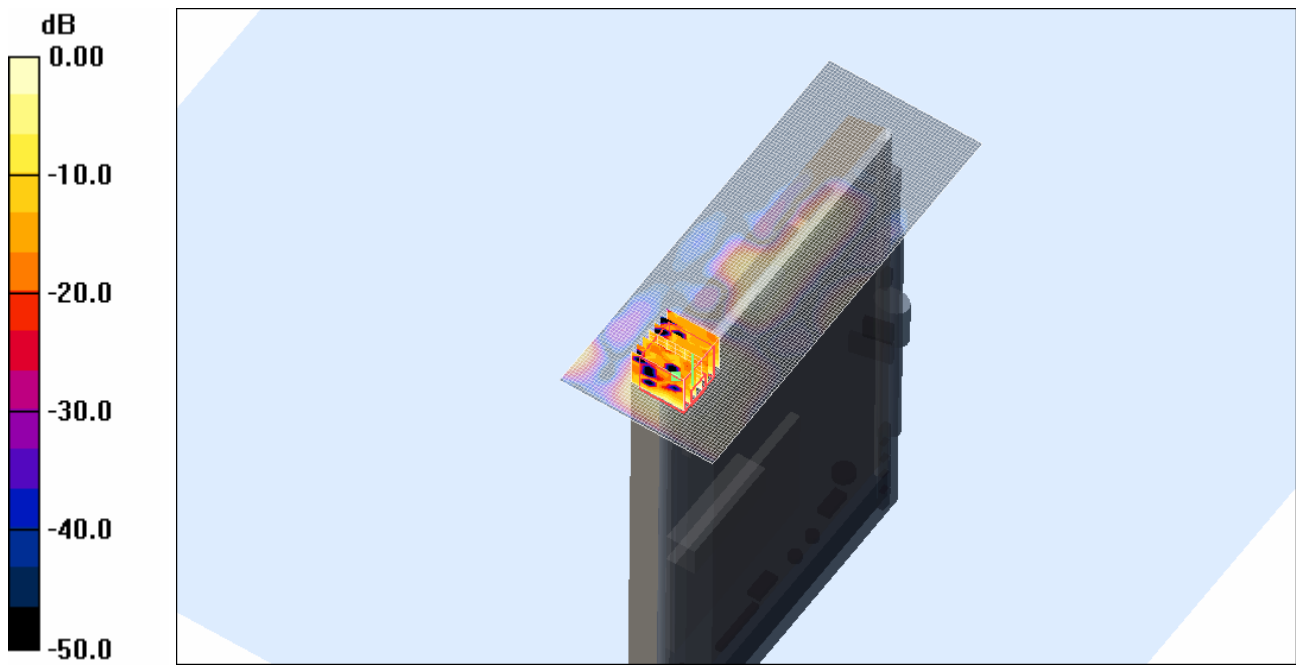
File Name: Edge On OFDM 5.2 GHz Antenna A Side Bluetooth Off 09-01-08.da4

DUT: **Fujitsu Tablet Ryuga with Kedron 11abg and Bluetooth; Type: 4965 AG; Serial: MAC: 0013E805C841**

- * Communication System: OFDM 5250 MHz; Frequency: 5260 MHz; Duty Cycle: 1:1
- * Medium parameters used: $\sigma = 5.46476$ mho/m, $\epsilon_r = 47.737$; $\rho = 1000$ kg/m³
- Electronics: DAE3 Sn359; Probe: EX3DV4 - SN3563; ConvF(3.79, 3.79, 3.79)
- Phantom: Flat Phantom 10.1; Serial: P 10.1; Phantom section: Flat 2.2 Section

Channel 52 Test/Area Scan (51x131x1): Measurement grid: dx=15mm, dy=15mm
 Maximum value of SAR (interpolated) = 0.274 mW/g

Channel 52 Test/Zoom Scan (7x7x8)/Cube 0: Measurement grid: dx=4.3mm, dy=4.3mm, dz=3mm
 Reference Value = 5.49 V/m; Power Drift = 0.167 dB
 Peak SAR (extrapolated) = 0.452 W/kg
SAR(1 g) = 0.086 mW/g; SAR(10 g) = 0.024 mW/g
 Maximum value of SAR (measured) = 0.187 mW/g



0 dB = 0.187mW/g

SAR MEASUREMENT PLOT 4

Ambient Temperature
 Liquid Temperature
 Humidity

21.6 Degrees Celsius
21.3 Degrees Celsius
60.0 %



Test Date: 09 January 2008

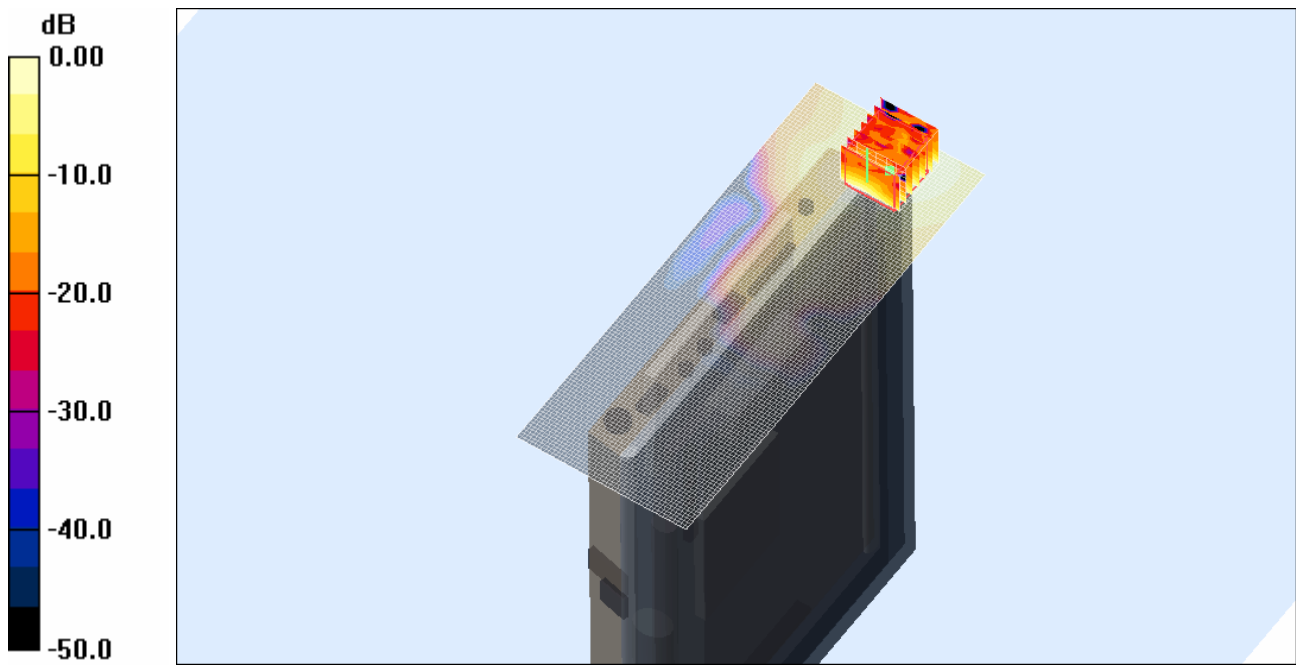
File Name: Edge On OFDM 5.2 GHz Antenna B Side Bluetooth Off 09-01-08.da4

DUT: **Fujitsu Tablet Ryuga with Kedron 11abg and Bluetooth; Type: 4965 AG; Serial: MAC: 0013E805C841**

- * Communication System: OFDM 5250 MHz; Frequency: 5180 MHz; Duty Cycle: 1:1
- * Medium parameters used: $\sigma = 5.30676$ mho/m, $\epsilon_r = 47.9595$; $\rho = 1000$ kg/m³
- Electronics: DAE3 Sn359; Probe: EX3DV4 - SN3563; ConvF(3.79, 3.79, 3.79)
- Phantom: Flat Phantom 10.1; Serial: P 10.1; Phantom section: Flat 2.2 Section

Channel 36 Test/Area Scan (51x131x1): Measurement grid: dx=15mm, dy=15mm
 Maximum value of SAR (interpolated) = 0.555 mW/g

Channel 36 Test/Zoom Scan (7x7x8)/Cube 0: Measurement grid: dx=4.3mm, dy=4.3mm, dz=3mm
 Reference Value = 10.3 V/m; Power Drift = -0.266 dB
 Peak SAR (extrapolated) = 1.11 W/kg
SAR(1 g) = 0.298 mW/g; SAR(10 g) = 0.109 mW/g
 Maximum value of SAR (measured) = 0.595 mW/g



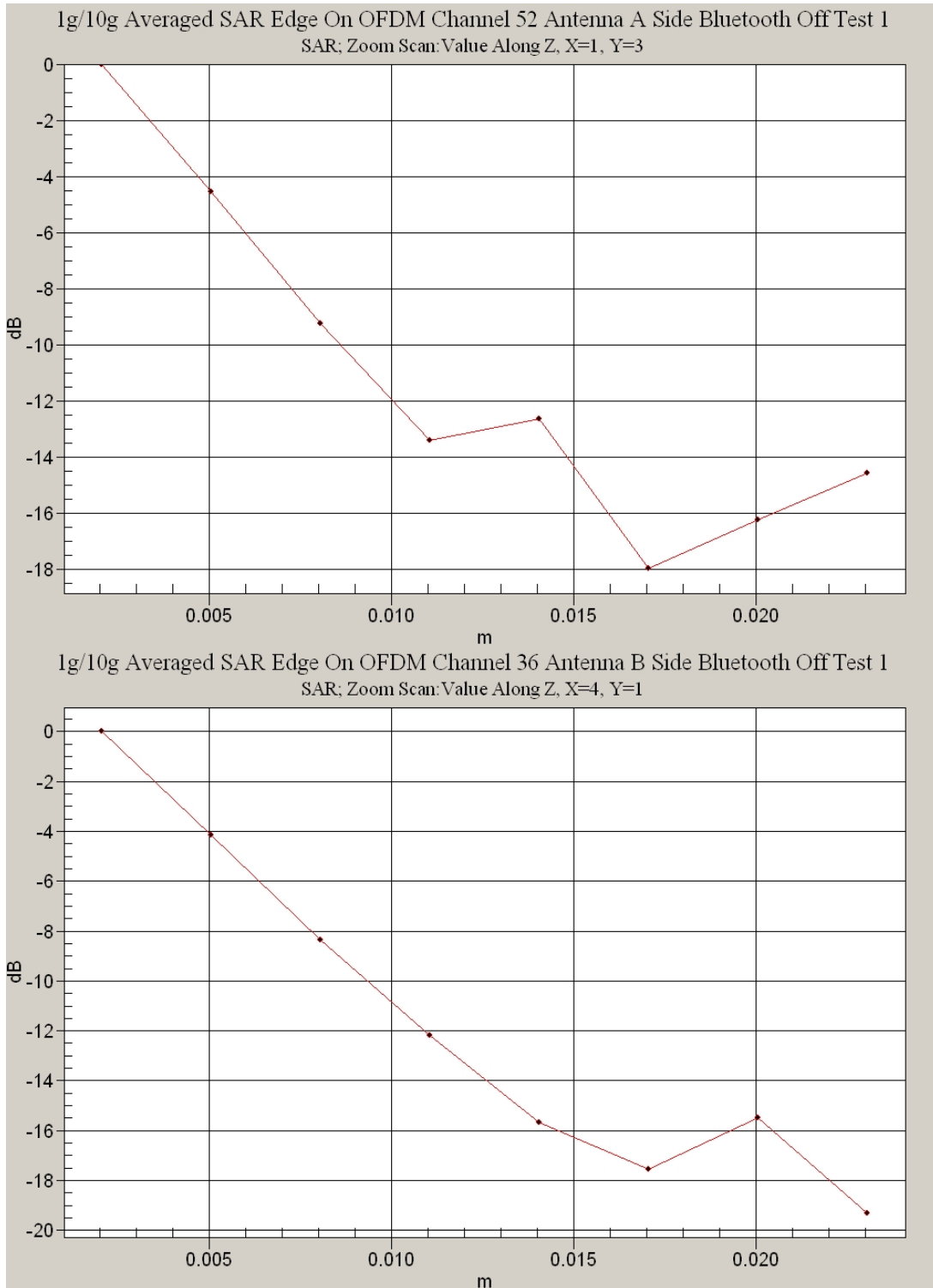
0 dB = 0.595mW/g

SAR MEASUREMENT PLOT 5

Ambient Temperature
 Liquid Temperature
 Humidity

21.6 Degrees Celsius
21.3 Degrees Celsius
60.0 %





Test Date: 09 January 2008

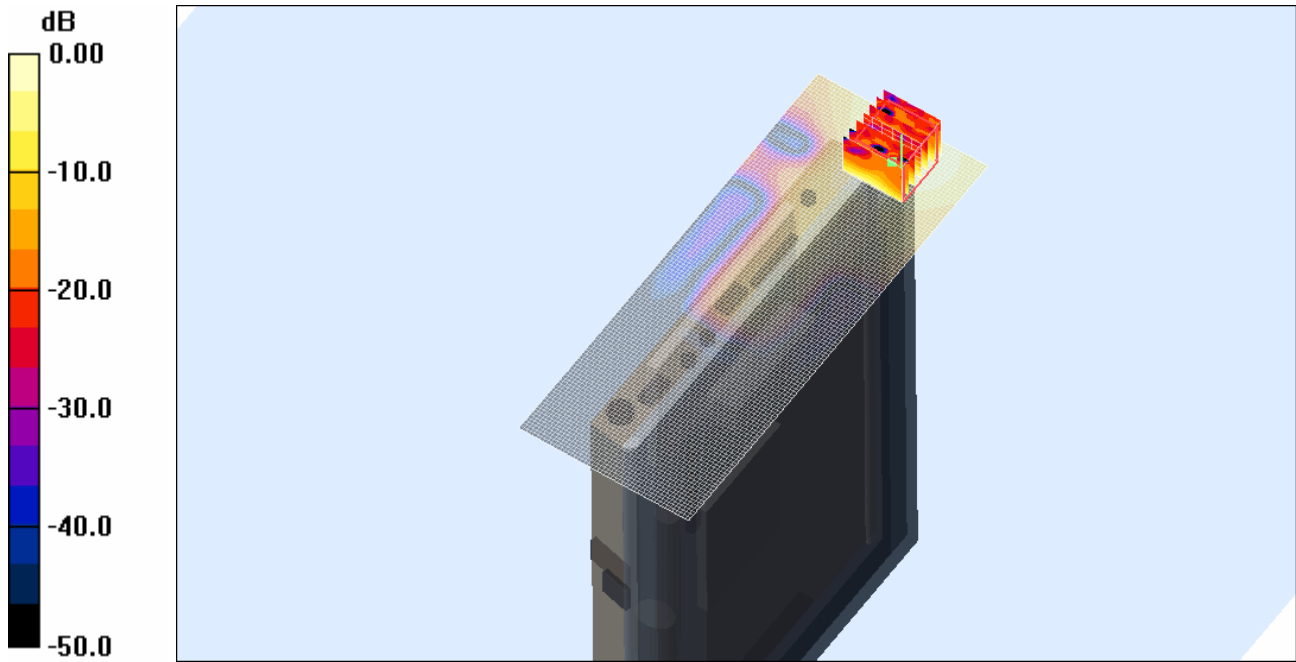
File Name: Edge On OFDM 5.2 GHz Antenna B Side Bluetooth Off 09-01-08.da4

DUT: Fujitsu Tablet Ryuga with Kedron 11abg and Bluetooth; Type: 4965 AG; Serial: MAC: 0013E805C841

- * Communication System: OFDM 5250 MHz; Frequency: 5260 MHz; Duty Cycle: 1:1
- * Medium parameters used: $\sigma = 5.46476$ mho/m, $\epsilon_r = 47.737$; $\rho = 1000$ kg/m³
- Electronics: DAE3 Sn359; Probe: EX3DV4 - SN3563; ConvF(3.79, 3.79, 3.79)
- Phantom: Flat Phantom 10.1; Serial: P 10.1; Phantom section: Flat 2.2 Section

Channel 52 Test/Area Scan (51x131x1): Measurement grid: dx=15mm, dy=15mm
 Maximum value of SAR (interpolated) = 0.725 mW/g

Channel 52 Test/Zoom Scan (7x7x8)/Cube 0: Measurement grid: dx=4.3mm, dy=4.3mm, dz=3mm
 Reference Value = 11.7 V/m; Power Drift = -0.059 dB
 Peak SAR (extrapolated) = 1.55 W/kg
SAR(1 g) = 0.414 mW/g; SAR(10 g) = 0.139 mW/g
 Maximum value of SAR (measured) = 0.808 mW/g



SAR MEASUREMENT PLOT 6

Ambient Temperature
 Liquid Temperature
 Humidity

21.6 Degrees Celsius
21.3 Degrees Celsius
60.0 %



Test Date: 09 January 2008

File Name: Edge On OFDM 5.2 GHz Antenna B Side Bluetooth Off 09-01-08.da4

DUT: **Fujitsu Tablet Ryuga with Kedron 11abg and Bluetooth; Type: 4965 AG; Serial: MAC: 0013E805C841**

* Communication System: OFDM 5250 MHz; Frequency: 5320 MHz; Duty Cycle: 1:1

* Medium parameters used: $\sigma = 5.56167$ mho/m, $\epsilon_r = 47.5864$; $\rho = 1000$ kg/m³

- Electronics: DAE3 Sn359; Probe: EX3DV4 - SN3563; ConvF(3.79, 3.79, 3.79)

- Phantom: Flat Phantom 10.1; Serial: P 10.1; Phantom section: Flat 2.2 Section

Channel 64 Test/Area Scan (51x131x1): Measurement grid: dx=15mm, dy=15mm

Maximum value of SAR (interpolated) = 0.793 mW/g

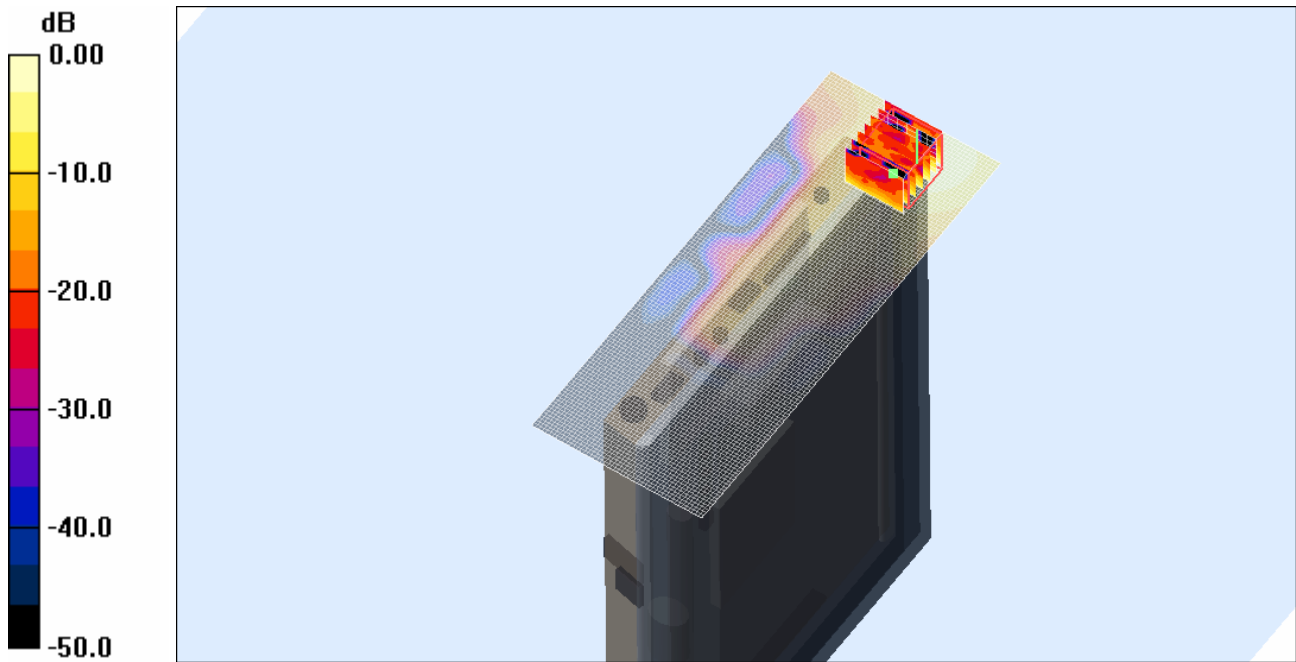
Channel 64 Test/Zoom Scan (7x7x8)/Cube 0: Measurement grid: dx=4.3mm, dy=4.3mm, dz=3mm

Reference Value = 12.5 V/m; Power Drift = -0.059 dB

Peak SAR (extrapolated) = 1.64 W/kg

SAR(1 g) = 0.446 mW/g; SAR(10 g) = 0.137 mW/g

Maximum value of SAR (measured) = 0.930 mW/g

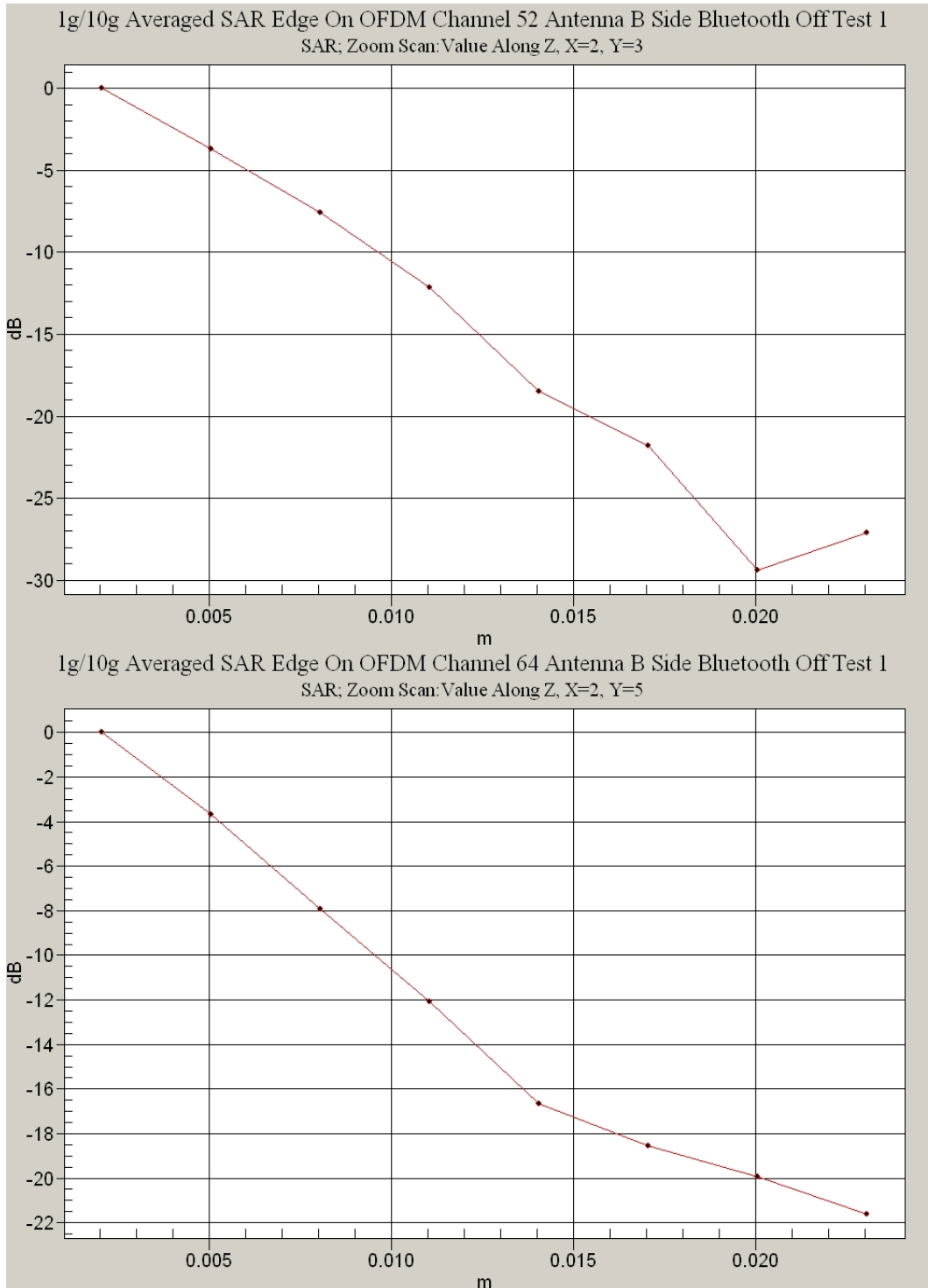


SAR MEASUREMENT PLOT 7

Ambient Temperature
Liquid Temperature
Humidity

21.6 Degrees Celsius
21.3 Degrees Celsius
60.0 %





This document must not be copied or reproduced, except in full without the written permission of the Manager, EMC Technologies Pty Ltd. The certificate on page 3 may be reproduced in full.
www.emctech.com.au

Test Date: 09 January 2008

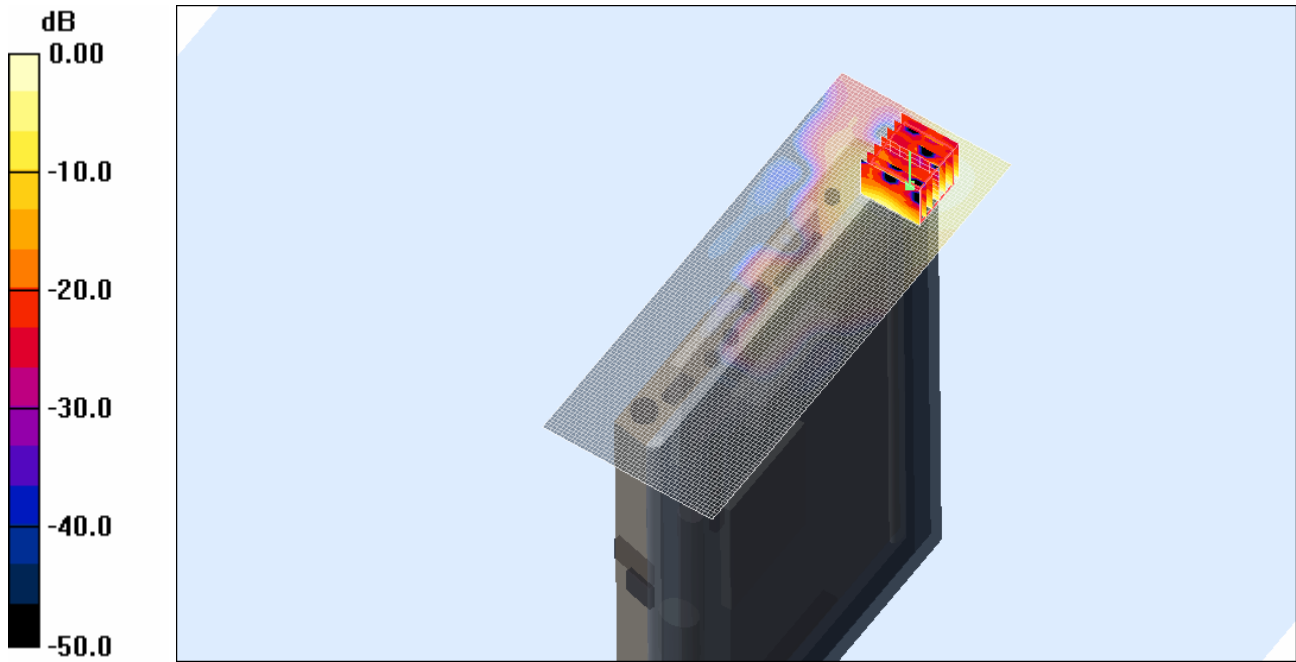
File Name: Edge On OFDM 5.2 GHz Antenna B Side Bluetooth Off Extended Battery 09-01-08.da4

DUT: Fujitsu Tablet Ryuga with Kedron 11abg and Bluetooth; Type: 4965 AG; Serial: MAC: 0013E805C841

- * Communication System: OFDM 5250 MHz; Frequency: 5320 MHz; Duty Cycle: 1:1
- * Medium parameters used: $\sigma = 5.56167$ mho/m, $\epsilon_r = 47.5864$; $\rho = 1000$ kg/m³
- Electronics: DAE3 Sn359; Probe: EX3DV4 - SN3563; ConvF(3.79, 3.79, 3.79)
- Phantom: Flat Phantom 10.1; Serial: P 10.1; Phantom section: Flat 2.2 Section

Channel 64 Test/Area Scan (51x131x1): Measurement grid: dx=15mm, dy=15mm
 Maximum value of SAR (interpolated) = 0.859 mW/g

Channel 64 Test/Zoom Scan (7x7x8)/Cube 0: Measurement grid: dx=4.3mm, dy=4.3mm, dz=3mm
 Reference Value = 12.4 V/m; Power Drift = -0.078 dB
 Peak SAR (extrapolated) = 2.17 W/kg
SAR(1 g) = 0.563 mW/g; SAR(10 g) = 0.186 mW/g
 Maximum value of SAR (measured) = 1.17 mW/g



0 dB = 1.17mW/g

SAR MEASUREMENT PLOT 8

Ambient Temperature
 Liquid Temperature
 Humidity

21.6 Degrees Celsius
 21.3 Degrees Celsius
 60.0 %



Test Date: 09 January 2008

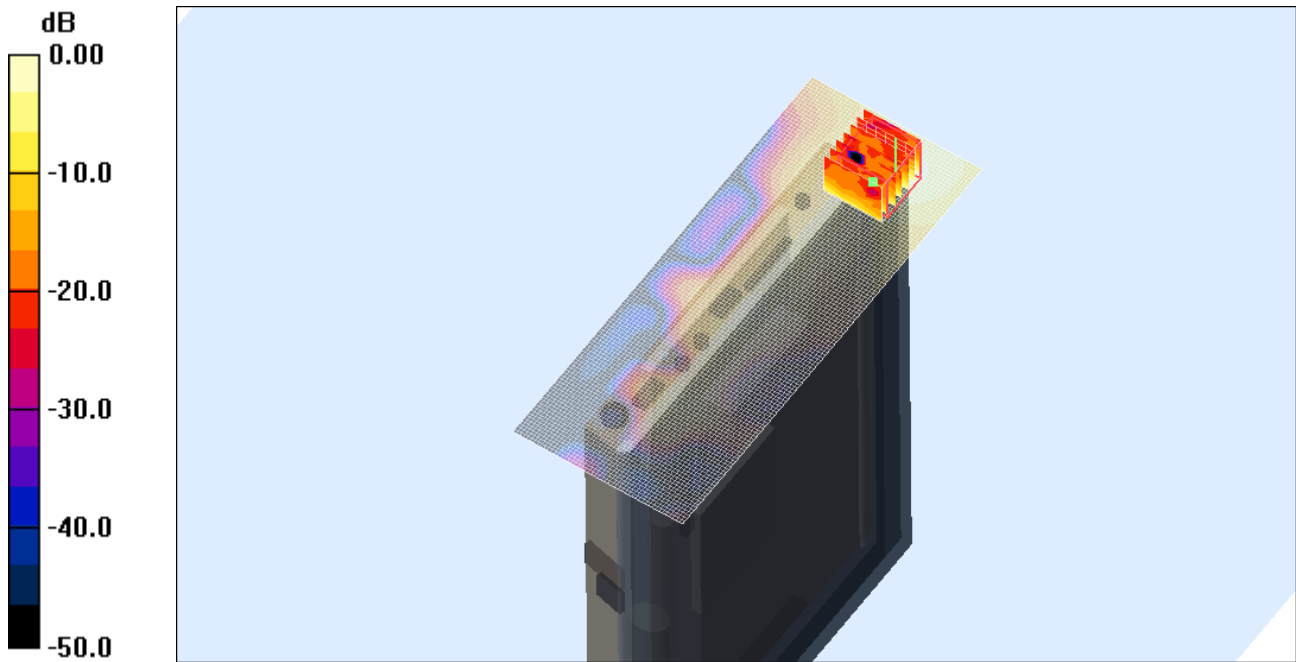
File Name: Edge On OFDM 5.2 GHz Antenna B Side Bluetooth On 09-01-08.da4

DUT: Fujitsu Tablet Ryuga with Kedron 11abg and Bluetooth; Type: 4965 AG; Serial: MAC: 0013E805C841

- * Communication System: OFDM 5250 MHz; Frequency: 5320 MHz; Duty Cycle: 1:1
- * Medium parameters used: $\sigma = 5.56167$ mho/m, $\epsilon_r = 47.5864$; $\rho = 1000$ kg/m³
- Electronics: DAE3 Sn359; Probe: EX3DV4 - SN3563; ConvF(3.79, 3.79, 3.79)
- Phantom: Flat Phantom 10.1; Serial: P 10.1; Phantom section: Flat 2.2 Section

Channel 64 Test/Area Scan (51x131x1): Measurement grid: dx=15mm, dy=15mm
 Maximum value of SAR (interpolated) = 0.914 mW/g

Channel 64 Test/Zoom Scan (7x7x8)/Cube 0: Measurement grid: dx=4.3mm, dy=4.3mm, dz=3mm
 Reference Value = 14.1 V/m; Power Drift = -0.363 dB
 Peak SAR (extrapolated) = 1.71 W/kg
SAR(1 g) = 0.434 mW/g; SAR(10 g) = 0.141 mW/g
 Maximum value of SAR (measured) = 0.899 mW/g



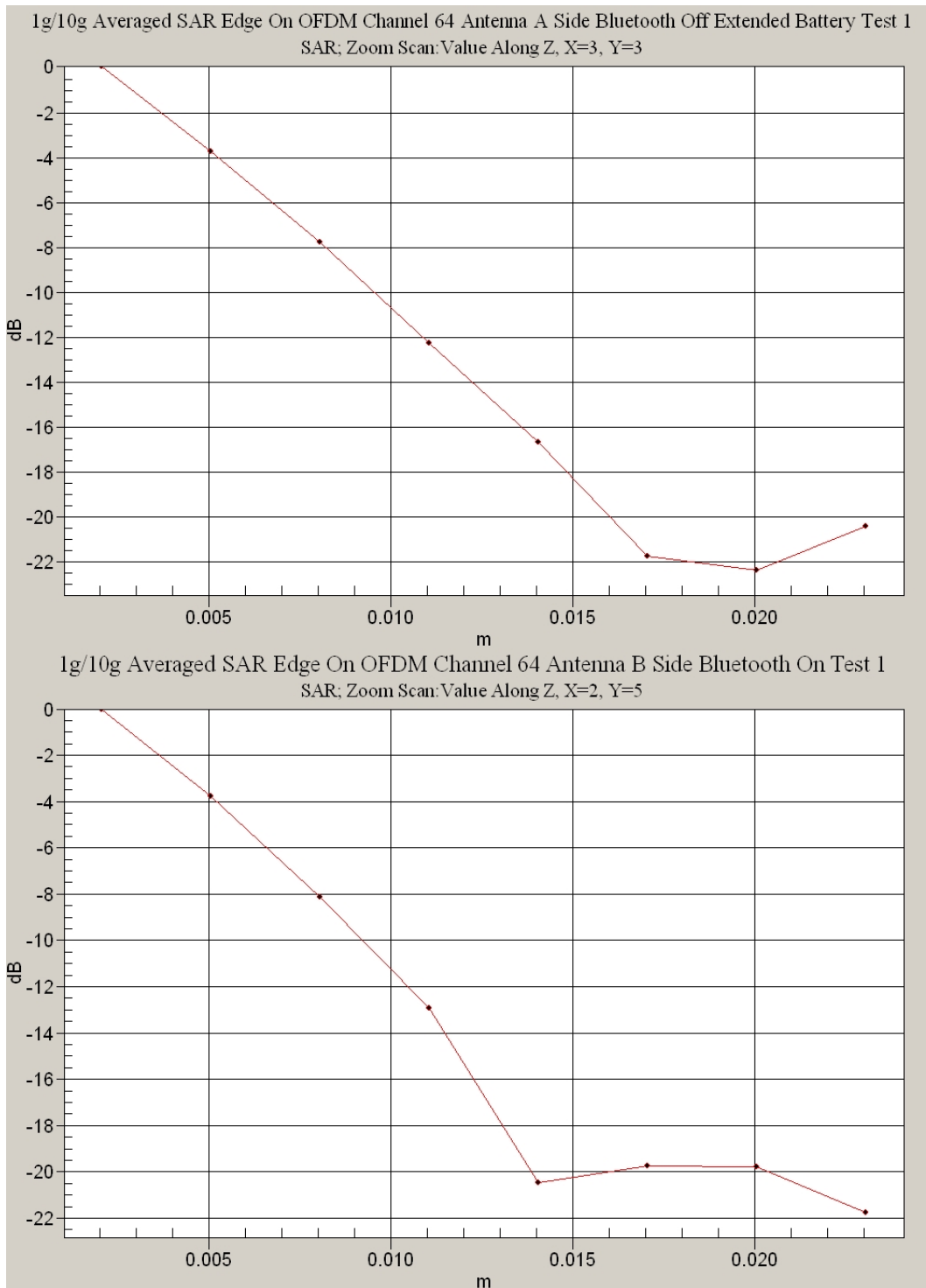
0 dB = 0.899mW/g

SAR MEASUREMENT PLOT 9

Ambient Temperature
 Liquid Temperature
 Humidity

21.6 Degrees Celsius
21.3 Degrees Celsius
60.0 %





This document must not be copied or reproduced, except in full without the written permission of the Manager, EMC Technologies Pty Ltd. The certificate on page 3 may be reproduced in full.
www.emctech.com.au

Test Date: 08 January 2008

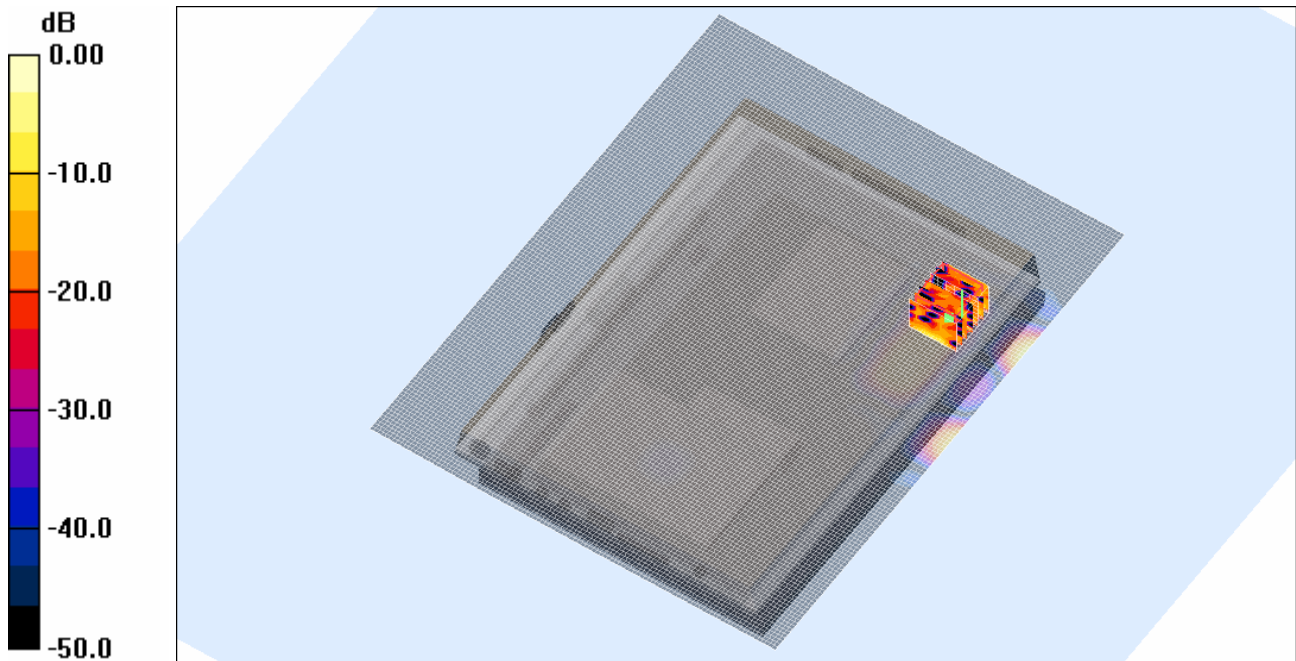
File Name: Tablet OFDM 5.77 GHz Antenna A Bluetooth Off Prescan 08-01-08.da4

DUT: Fujitsu Tablet Ryuga with Kedron 11abg and Bluetooth; Type: 4965 AG; Serial: MAC: 0013E805C841

- * Communication System: OFDM 5770 MHz; Frequency: 5785 MHz; Duty Cycle: 1:1
- * Medium parameters used: $\sigma = 6.50586$ mho/m, $\epsilon_r = 46.4323$; $\rho = 1000$ kg/m³
- Electronics: DAE3 Sn359; Probe: EX3DV4 - SN3563; ConvF(3.72, 3.72, 3.72)
- Phantom: Flat Phantom 10.1; Serial: P 10.1; Phantom section: Flat 2.2 Section

Channel 157 Test/Area Scan (111x141x1): Measurement grid: dx=20mm, dy=20mm
 Maximum value of SAR (interpolated) = 0.165 mW/g

Channel 157 Test/Zoom Scan (7x7x8)/Cube 0: Measurement grid: dx=4.3mm, dy=4.3mm, dz=3mm
 Reference Value = 4.49 V/m; Power Drift = -1.08 dB
 Peak SAR (extrapolated) = 0.645 W/kg
SAR(1 g) = 0.161 mW/g; SAR(10 g) = 0.054 mW/g
 Maximum value of SAR (measured) = 0.345 mW/g



0 dB = 0.345mW/g

SAR MEASUREMENT PLOT 10

Ambient Temperature
Liquid Temperature
Humidity

21.4 Degrees Celsius
21.0 Degrees Celsius
58.0 %



Test Date: 08 January 2008

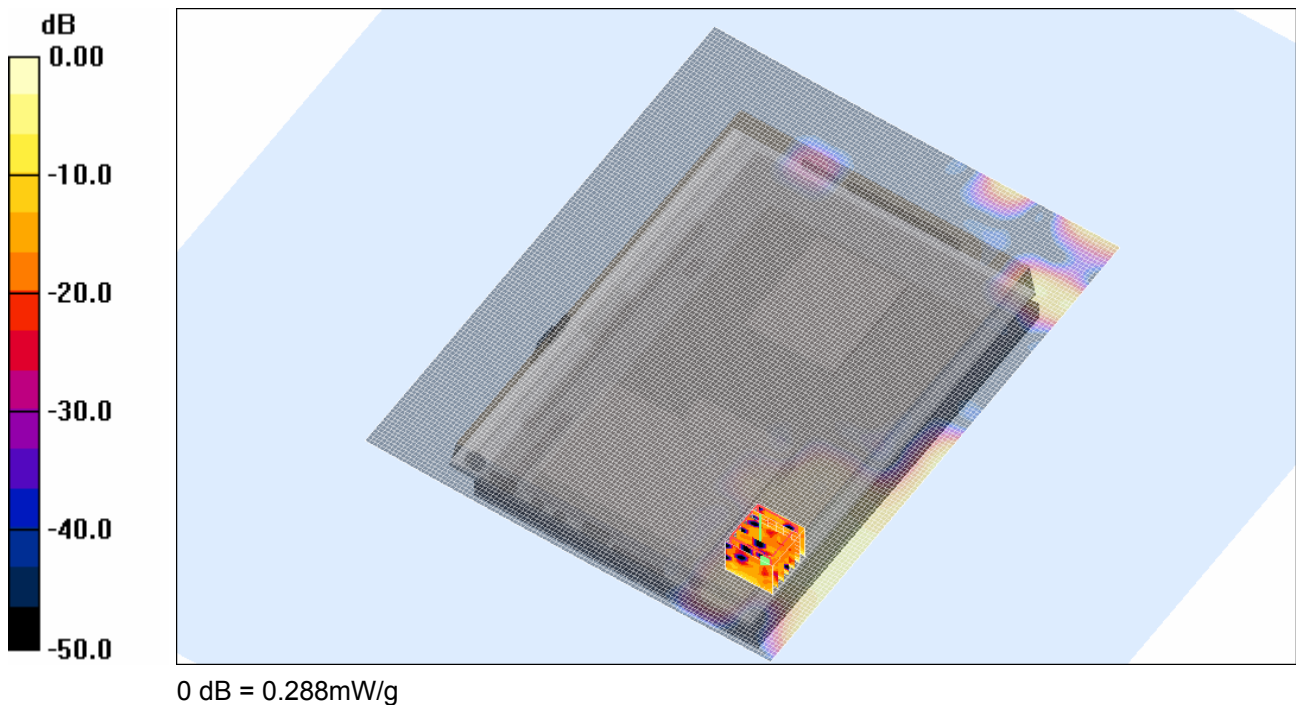
File Name: Tablet OFDM 5.77 GHz Antenna B Bluetooth Off Prescan 08-01-08.da4

DUT: Fujitsu Tablet Ryuga with Kedron 11abg and Bluetooth; Type: 4965 AG; Serial: MAC: 0013E805C841

- * Communication System: OFDM 5770 MHz; Frequency: 5785 MHz; Duty Cycle: 1:1
- * Medium parameters used: $\sigma = 6.50586$ mho/m, $\epsilon_r = 46.4323$; $\rho = 1000$ kg/m³
- Electronics: DAE3 Sn359; Probe: EX3DV4 - SN3563; ConvF(3.72, 3.72, 3.72)
- Phantom: Flat Phantom 10.1; Serial: P 10.1; Phantom section: Flat 2.2 Section

Channel 157 Test/Area Scan (111x141x1): Measurement grid: dx=20mm, dy=20mm
 Maximum value of SAR (interpolated) = 0.106 mW/g

Channel 157 Test/Zoom Scan (7x7x8)/Cube 0: Measurement grid: dx=4.3mm, dy=4.3mm, dz=3mm
 Reference Value = 2.24 V/m; Power Drift = -1.17 dB
 Peak SAR (extrapolated) = 1.22 W/kg
SAR(1 g) = 0.122 mW/g; SAR(10 g) = 0.027 mW/g
 Maximum value of SAR (measured) = 0.288 mW/g

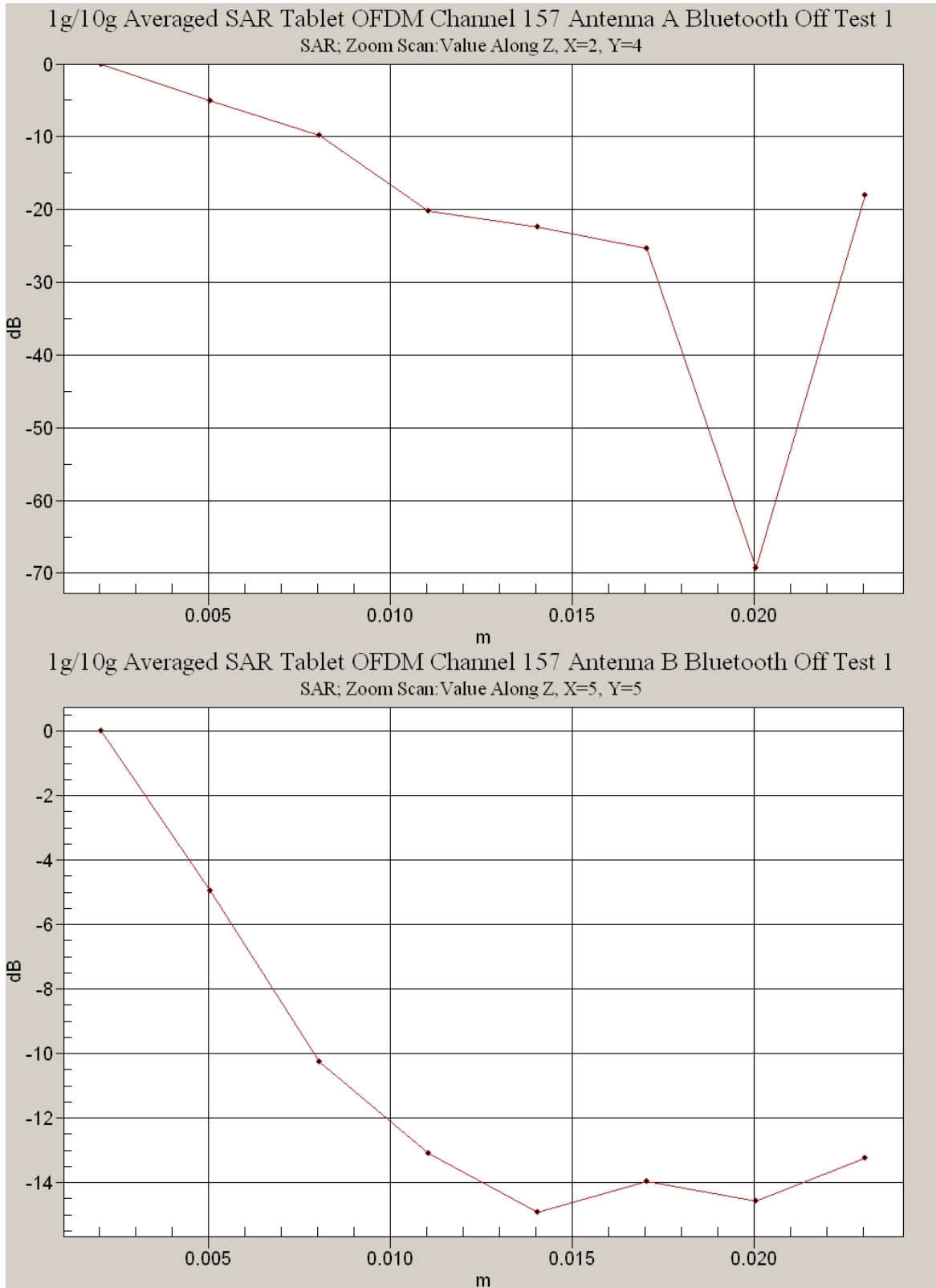


SAR MEASUREMENT PLOT 11

Ambient Temperature
 Liquid Temperature
 Humidity

21.4 Degrees Celsius
21.0 Degrees Celsius
58.0 %





*** Pre-scan Plots**



This document must not be copied or reproduced, except in full without the written permission of the Manager, EMC Technologies Pty Ltd. The certificate on page 3 may be reproduced in full.
www.emctech.com.au