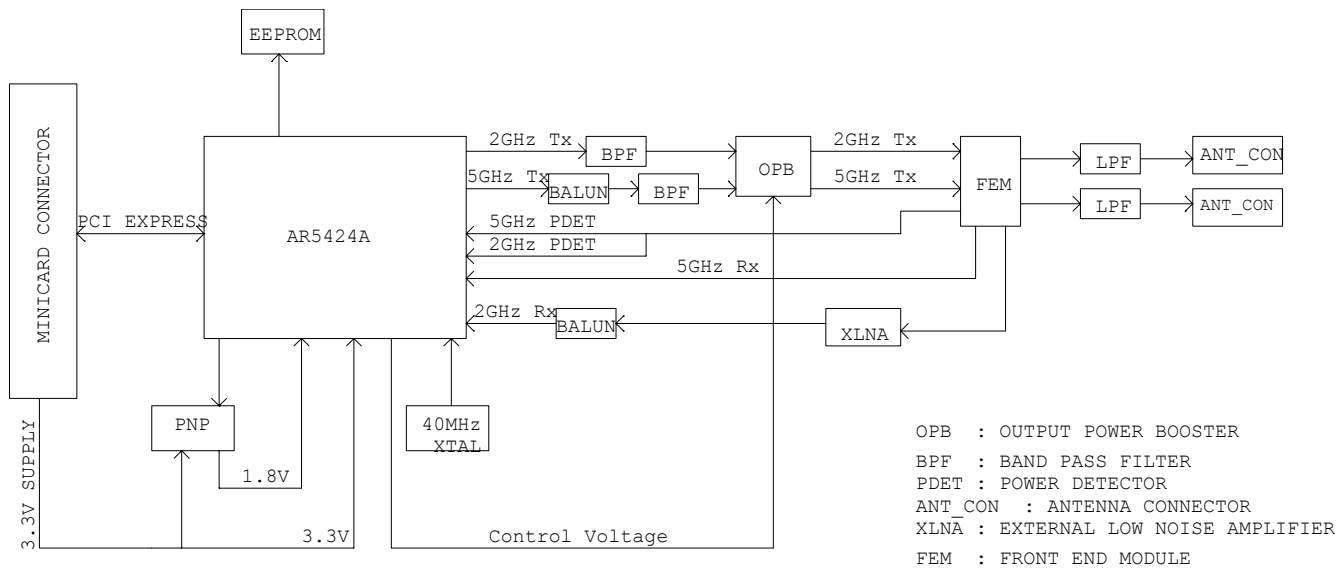


EMC Technologies Report Number: M060760_Cert_AR5BxB6_DTS_BT

APPENDIX G
WLAN Specifications





AR5BXB6 Specification:

1. Model: AR5BXB6
2. Description: 802.11a/b/g PCI Express Module
3. Radio Frequency Bandwidth, also known as operating frequencies:
 2400-2.483.5MHz
 5150-5350MHz
 5470-5725MHz
 5725-5.850MHz

(NOTE: Product will be configured for each country according to allowed legal frequency allocation).

4. Classification of Emission: 15M0G2D (802.11b mode).& 20M0W7D for 11a/b/g
5. RF Channel Spacing: 5MHz.in 2.4Ghz band and 20MHz in 5Ghz band
6. Nominal Voltage – 3.3V
7. Modulation: DSSS, OFDM, CCK
8. Channel Access Protocol: Carrier Sense Multiple Access with Collision Avoidance (CSMA/CA)
9. Duty Cycle : High
10. ITU Emission Classification: 15M02G2D and 20M0W7D

For more information, please refer FCC Part 15, EN300328, EN301893, EN301489 and EN60950.