

APPENDIX B PLOTS OF THE SAR MEASUREMENTS

Plots of the measured SAR distributions inside the phantom are given in this Appendix for the “Lap Arm Held” and “Edge On” tested configurations. The spatial peak SAR values were assessed with the procedure described in this report.

Table 20: 5200 MHz DSSS Band SAR Measurement Plot Numbers

Plot 1	Lap Arm Held Position – Ant Aux	CH#36
Plot 2	Lap Arm Held Position – Ant Aux	CH#52
Plot 3	Lap Arm Held Position – Ant Aux	CH#64
Z-Axis Graphs	Z-Axis graphs for Plots 1 to 3	
Plot 4	Lap Arm Held Position – Ant Main	CH#36
Plot 5	Lap Arm Held Position – Ant Main	CH#52
Plot 6	Lap Arm Held Position – Ant Main	CH#64
Z-Axis Graphs	Z-Axis graphs for Plots 4 – 6	
Plot 7	Edge On Position – Ant Aux	CH#36
Plot 8	Edge On Position – Ant Aux	CH#52
Plot 9	Edge On Position – Ant Aux	CH#64
Z-Axis Graphs	Z-Axis graphs for Plots 7 – 9	
	WLAN with Bluetooth On	
Plot 10	Lap Arm Held Position With Blue tooth Ant Aux	CH#64
Plot 11	Lap Arm Held Position With Blue tooth Ant Main	CH#64

Table 21: Validation Plot

Plot 12	Validation 5200 MHz 16 th September 2006
Z-Axis graphs	Z-Axis graphs for Plots 10 to 12

Test Date: 16 September 2006

File Name: [Arm Held OFDM 5.25 GHz Antenna Aux Bluetooth Off 16-09-06.da4](#)

DUT: Fujitsu Tablet Chalice with Golan 11abg and Bluetooth; Type: 3945 ABG; Serial: Host: R6700003

* Communication System: OFDM 5250 MHz; Frequency: 5180 MHz; Duty Cycle: 1:1

* Medium parameters used: $\sigma = 5.2503$ mho/m, $\epsilon_r = 46.604$; $\rho = 1000$ kg/m³

- Electronics: DAE3 Sn442; Probe: EX3DV4 - SN3563; ConvF(3.84, 3.84, 3.84)

- Phantom: Flat Phantom 10.1; Serial: P 10.1; Phantom section: Flat 2.2 Section

Channel 36 Test/Area Scan (81x121x1): Measurement grid: dx=10mm, dy=10mm

Maximum value of SAR (interpolated) = 1.79 mW/g

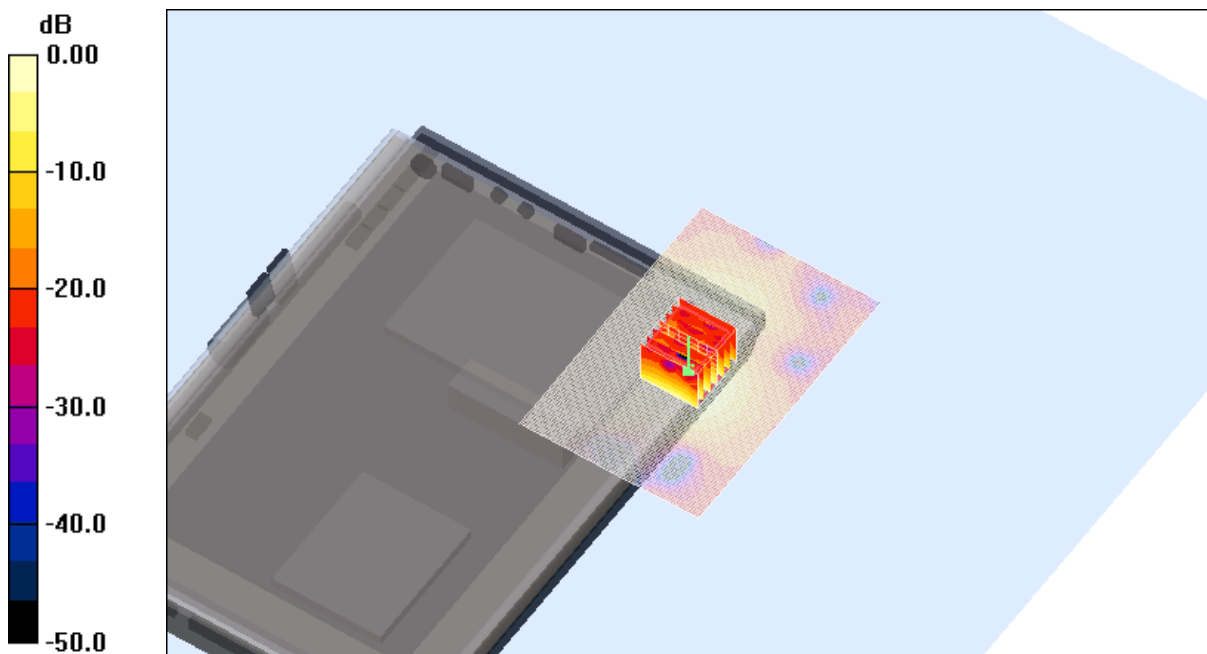
Channel 36 Test/Zoom Scan (7x7x8)/Cube 0: Measurement grid: dx=4.3mm, dy=4.3mm, dz=3mm

Reference Value = 19.3 V/m; Power Drift = -0.363 dB

Peak SAR (extrapolated) = 3.11 W/kg

SAR(1 g) = 0.896 mW/g; SAR(10 g) = 0.319 mW/g

Maximum value of SAR (measured) = 1.67 mW/g



SAR MEASUREMENT PLOT 1

Ambient Temperature
Liquid Temperature
Humidity

20.2 Degrees Celsius
19.8 Degrees Celsius
46.0 %

Test Date: 16 September 2006

File Name: [Arm Held OFDM 5.25 GHz Antenna Aux Bluetooth Off 16-09-06.da4](#)

DUT: Fujitsu Tablet Chalice with Golan 11abg and Bluetooth; Type: 3945 ABG; Serial: Host: R6700003

* Communication System: OFDM 5250 MHz; Frequency: 5260 MHz; Duty Cycle: 1:1

* Medium parameters used: $\sigma = 5.44662$ mho/m, $\epsilon_r = 46.3941$; $\rho = 1000$ kg/m³

- Electronics: DAE3 Sn442; Probe: EX3DV4 - SN3563; ConvF(3.84, 3.84, 3.84)

- Phantom: Flat Phantom 10.1; Serial: P 10.1; Phantom section: Flat 2.2 Section

Channel 52 Test/Area Scan (81x121x1): Measurement grid: dx=10mm, dy=10mm

Maximum value of SAR (interpolated) = 2.40 mW/g

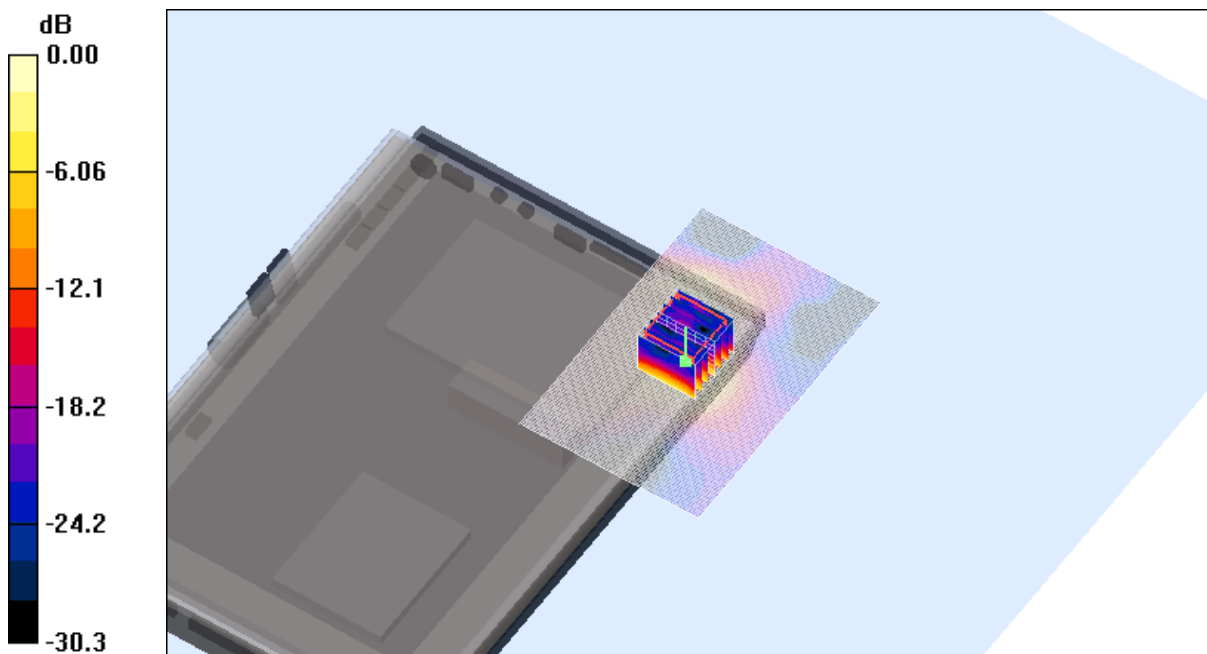
Channel 52 Test/Zoom Scan (7x7x8)/Cube 0: Measurement grid: dx=4.3mm, dy=4.3mm, dz=3mm

Reference Value = 20.6 V/m; Power Drift = -0.228 dB

Peak SAR (extrapolated) = 4.48 W/kg

SAR(1 g) = 1.21 mW/g; SAR(10 g) = 0.424 mW/g

Maximum value of SAR (measured) = 2.39 mW/g



0 dB = 2.39mW/g

SAR MEASUREMENT PLOT 2

Ambient Temperature
Liquid Temperature
Humidity

20.2 Degrees Celsius
19.8 Degrees Celsius
46.0 %

Test Date: 16 September 2006

File Name: [Arm Held OFDM 5.25 GHz Antenna Aux Bluetooth Off 16-09-06.da4](#)

DUT: Fujitsu Tablet Chalice with Golan 11abg and Bluetooth; Type: 3945 ABG; Serial: Host: R6700003

* Communication System: OFDM 5250 MHz; Frequency: 5320 MHz; Duty Cycle: 1:1

* Medium parameters used: $\sigma = 5.51326$ mho/m, $\epsilon_r = 46.0136$; $\rho = 1000$ kg/m³

- Electronics: DAE3 Sn442; Probe: EX3DV4 - SN3563; ConvF(3.84, 3.84, 3.84)

- Phantom: Flat Phantom 10.1; Serial: P 10.1; Phantom section: Flat 2.2 Section

Channel 64 Test/Area Scan (81x121x1): Measurement grid: dx=10mm, dy=10mm

Maximum value of SAR (interpolated) = 2.66 mW/g

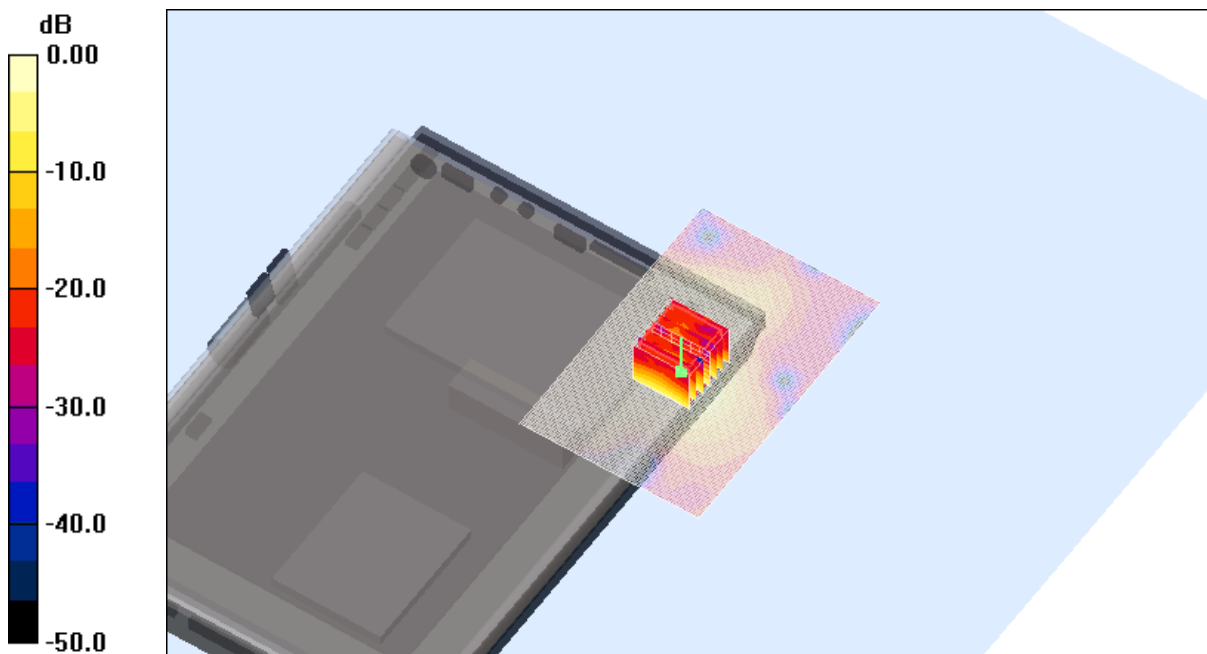
Channel 64 Test/Zoom Scan (7x7x8)/Cube 0: Measurement grid: dx=4.3mm, dy=4.3mm, dz=3mm

Reference Value = 19.6 V/m; Power Drift = 0.00 dB

Peak SAR (extrapolated) = 4.94 W/kg

SAR(1 g) = 1.35 mW/g; SAR(10 g) = 0.472 mW/g

Maximum value of SAR (measured) = 2.61 mW/g



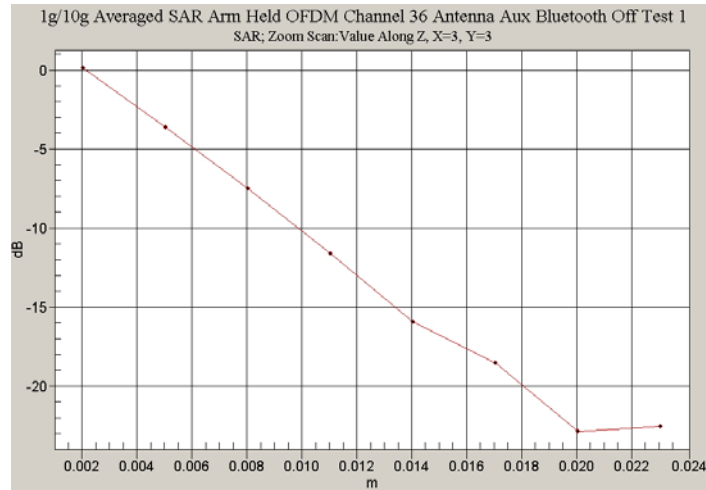
0 dB = 2.61mW/g

SAR MEASUREMENT PLOT 3

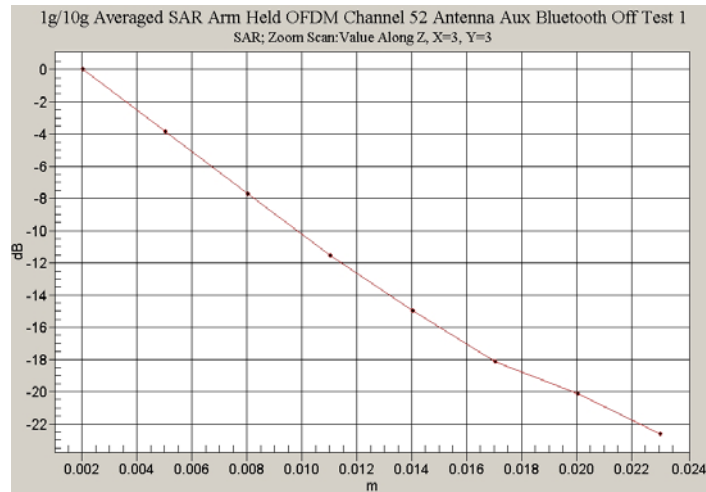
Ambient Temperature
Liquid Temperature
Humidity

20.2 Degrees Celsius
19.8 Degrees Celsius
46.0 %

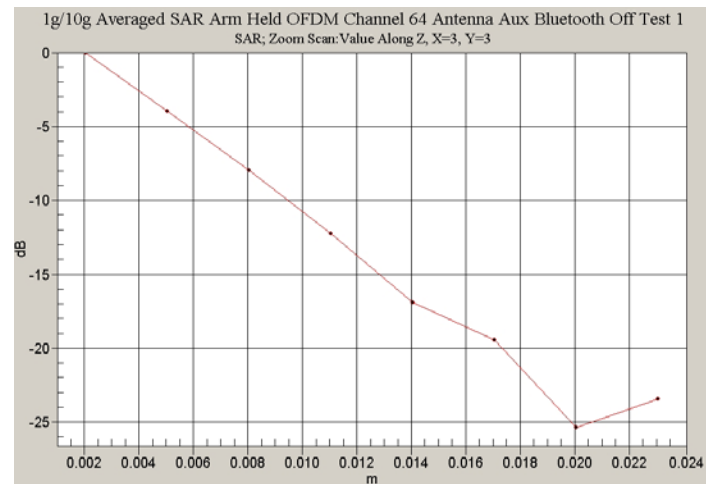
Z-Axis graph for plot 1



Z-Axis graph for plot 2



Z-Axis graph for plot 3



Test Date: 16 September 2006

File Name: [Arm Held OFDM 5.25 GHz Antenna Main Bluetooth Off 16-09-06.da4](#)

DUT: Fujitsu Tablet Chalice with Golan 11abg and Bluetooth; Type: 3945 ABG; Serial: Host: R6700003

* Communication System: OFDM 5250 MHz; Frequency: 5180 MHz; Duty Cycle: 1:1

* Medium parameters used: $\sigma = 5.2503$ mho/m, $\epsilon_r = 46.604$; $\rho = 1000$ kg/m³

- Electronics: DAE3 Sn442; Probe: EX3DV4 - SN3563; ConvF(3.84, 3.84, 3.84)

- Phantom: Flat Phantom 10.1; Serial: P 10.1; Phantom section: Flat 2.2 Section

Channel 36 Test/Area Scan (81x121x1): Measurement grid: dx=10mm, dy=10mm

Maximum value of SAR (interpolated) = 1.93 mW/g

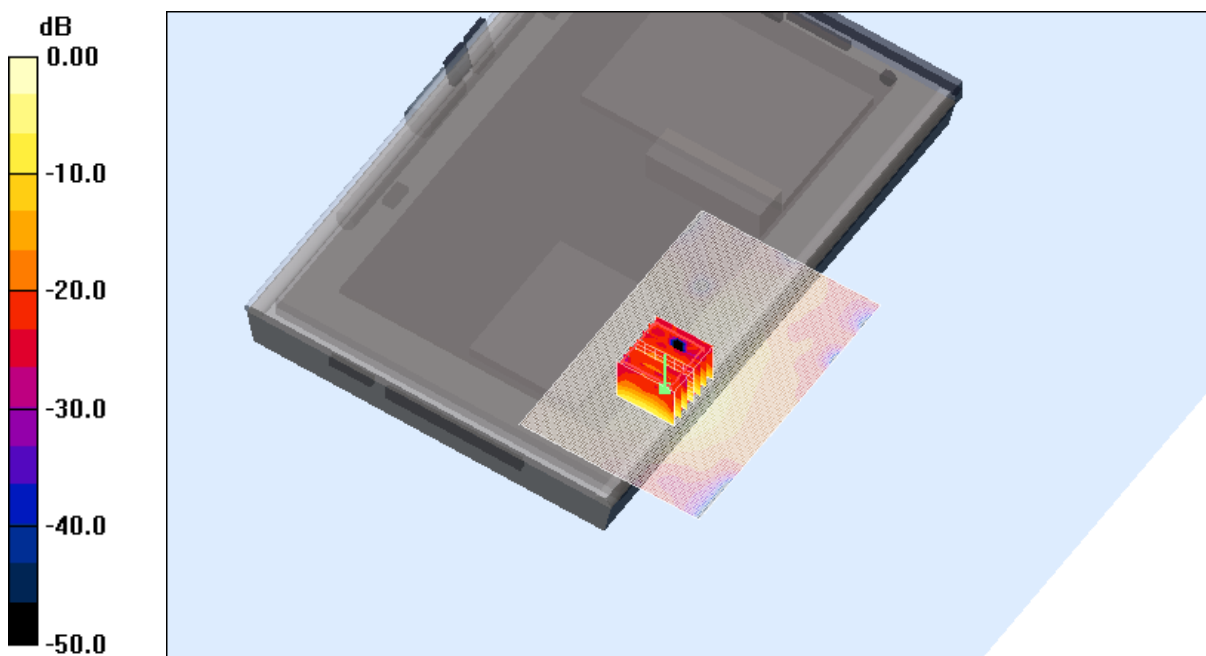
Channel 36 Test/Zoom Scan (7x7x8)/Cube 0: Measurement grid: dx=4.3mm, dy=4.3mm, dz=3mm

Reference Value = 6.83 V/m; Power Drift = -0.687 dB

Peak SAR (extrapolated) = 3.39 W/kg

SAR(1 g) = 0.974 mW/g; SAR(10 g) = 0.324 mW/g

Maximum value of SAR (measured) = 1.92 mW/g



0 dB = 1.92mW/g

SAR MEASUREMENT PLOT 4

Ambient Temperature
Liquid Temperature
Humidity

20.2 Degrees Celsius
19.8 Degrees Celsius
46.0 %

Test Date: 16 September 2006

File Name: [Arm Held OFDM 5.25 GHz Antenna Main Bluetooth Off 16-09-06.da4](#)

DUT: Fujitsu Tablet Chalice with Golan 11abg and Bluetooth; Type: 3945 ABG; Serial: Host: R6700003

* Communication System: OFDM 5250 MHz; Frequency: 5260 MHz; Duty Cycle: 1:1

* Medium parameters used: $\sigma = 5.44662$ mho/m, $\epsilon_r = 46.3941$; $\rho = 1000$ kg/m³

- Electronics: DAE3 Sn442; Probe: EX3DV4 - SN3563; ConvF(3.84, 3.84, 3.84)

- Phantom: Flat Phantom 10.1; Serial: P 10.1; Phantom section: Flat 2.2 Section

Channel 52 Test/Area Scan (81x121x1): Measurement grid: dx=10mm, dy=10mm

Maximum value of SAR (interpolated) = 2.57 mW/g

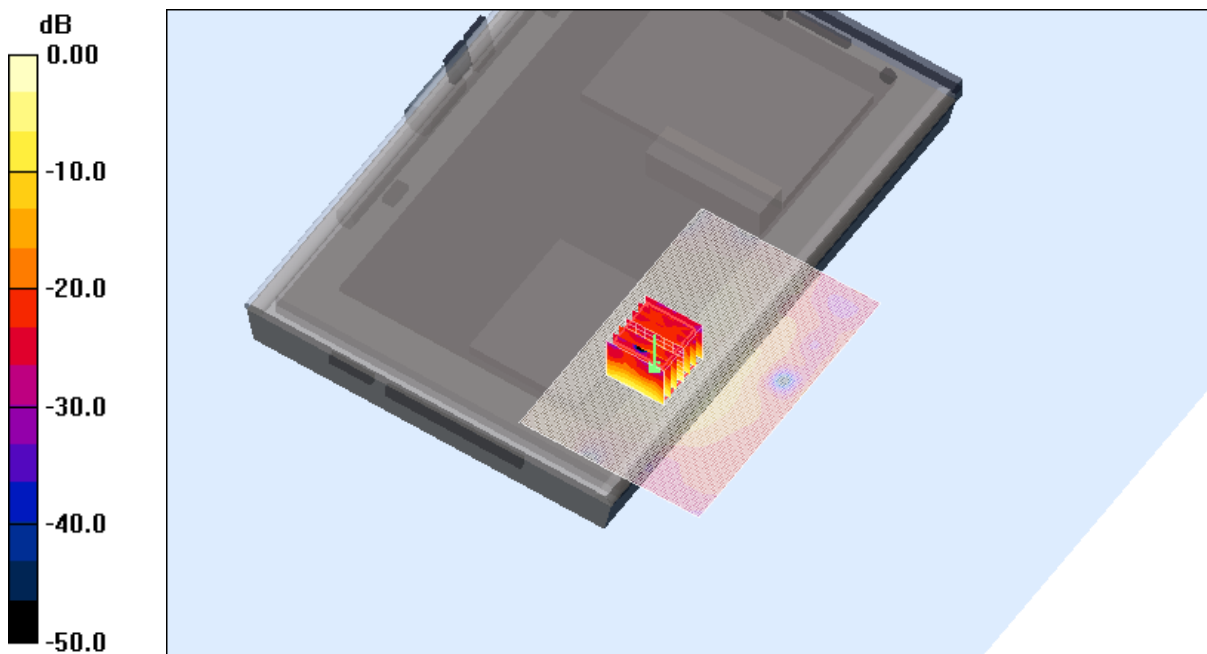
Channel 52 Test/Zoom Scan (7x7x8)/Cube 0: Measurement grid: dx=4.3mm, dy=4.3mm, dz=3mm

Reference Value = 6.75 V/m; Power Drift = -0.066 dB

Peak SAR (extrapolated) = 4.66 W/kg

SAR(1 g) = 1.29 mW/g; SAR(10 g) = 0.424 mW/g

Maximum value of SAR (measured) = 2.58 mW/g



SAR MEASUREMENT PLOT 5

Ambient Temperature
Liquid Temperature
Humidity

20.2 Degrees Celsius
19.8 Degrees Celsius
46.0 %

Test Date: 16 September 2006

File Name: [Arm Held OFDM 5.25 GHz Antenna Main Bluetooth Off 16-09-06.da4](#)

DUT: Fujitsu Tablet Chalice with Golan 11abg and Bluetooth; Type: 3945 ABG; Serial: Host: R6700003

* Communication System: OFDM 5250 MHz; Frequency: 5320 MHz; Duty Cycle: 1:1

* Medium parameters used: $\sigma = 5.51326$ mho/m, $\epsilon_r = 46.0136$; $\rho = 1000$ kg/m³

- Electronics: DAE3 Sn442; Probe: EX3DV4 - SN3563; ConvF(3.84, 3.84, 3.84)

- Phantom: Flat Phantom 10.1; Serial: P 10.1; Phantom section: Flat 2.2 Section

Channel 64 Test/Area Scan (81x121x1): Measurement grid: dx=10mm, dy=10mm

Maximum value of SAR (interpolated) = 2.56 mW/g

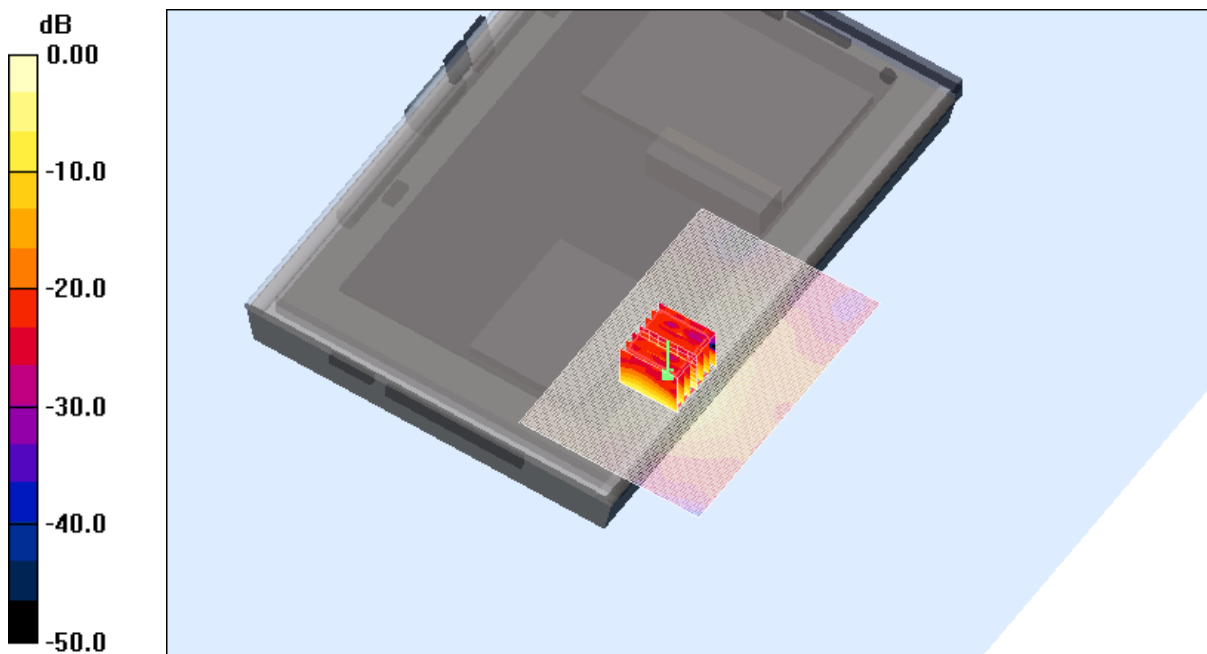
Channel 64 Test/Zoom Scan (7x7x8)/Cube 0: Measurement grid: dx=4.3mm, dy=4.3mm, dz=3mm

Reference Value = 10.1 V/m; Power Drift = -0.228 dB

Peak SAR (extrapolated) = 4.74 W/kg

SAR(1 g) = 1.3 mW/g; SAR(10 g) = 0.429 mW/g

Maximum value of SAR (measured) = 2.56 mW/g



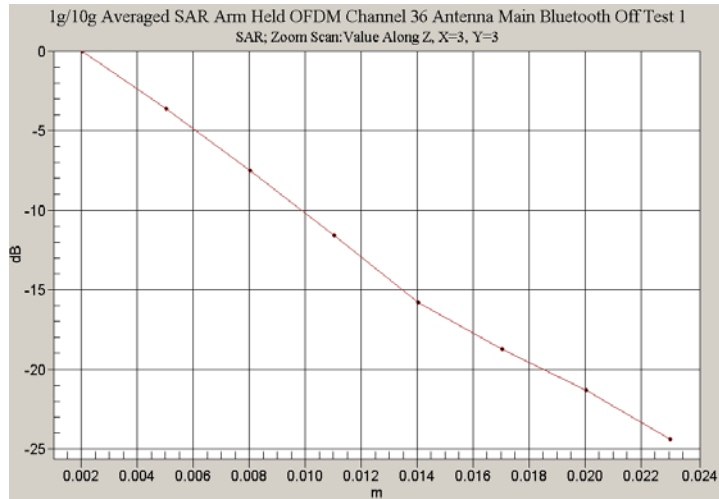
0 dB = 2.56mW/g

SAR MEASUREMENT PLOT 6

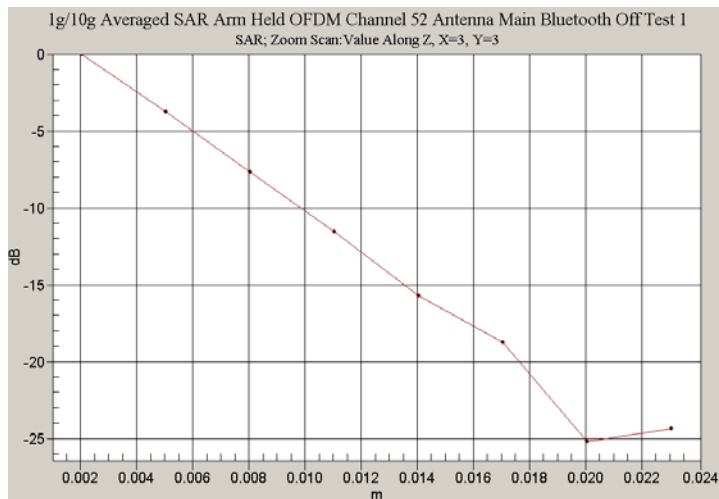
Ambient Temperature
Liquid Temperature
Humidity

20.2 Degrees Celsius
19.8 Degrees Celsius
46.0 %

Z-Axis graph for plot 4



Z-Axis graph for plot 5



Z-Axis graph for plot 6

