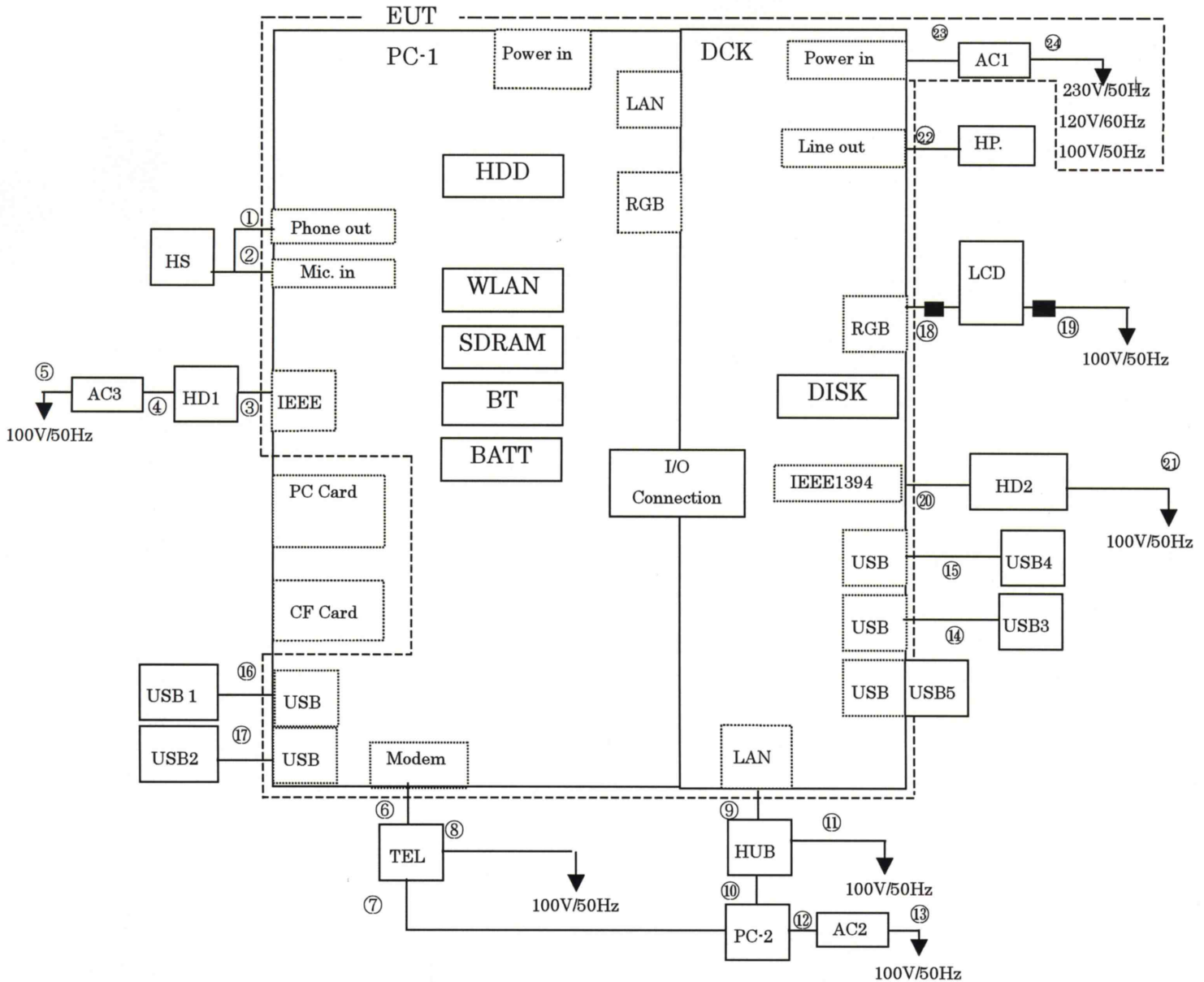


**Attachment 3: TEST REPORT**

**FG05\_050EAL (PART 2)**



Figure-1 System configuration and cables



■ : Ferrite core

**Main EUT**

Code	Name	Type	S/N	Product
PC-1	Personal computer	ST5031	pre-production sample	Fujitsu

**Related EUT**

POR	Port Replicator	FPCPR43	—	Fujitsu
AC1	AC adapter	SEC80N2-19.0	—	Fujitsu

**Included device; PC-1**

Code	Name	Type	S/N	Product
DISK	DVD/CD	SD-R2412	—	Toshiba
HDD	40GB	MK4025GAS	—	—
WLAN	Wireless LAN	Calexico2 11b/g	—	Intel
BT	Bluetooth	UGX5-102A	—	ALPS
SDRAM	512MB	M470T3354B-CD5 ×2	—	—
BATT	5200mA/h	-	—	Fujitsu

## Assisted equipment

Code	Name	Type	S/N	Product
TEL	Telephone line simulator	TLE-101	407711	ASCII Corp.
LCD	LCD display	P19-1	YEGA217491	FSC
HS	Head set	FMH-40acom	—	Fujitsu
PC-2	Personal computer	FMV LIFEBOOK	—	Fujitsu
HUB	Switching Hub	BayStack	02112000AT	Nortel
AC2	AC adapter	FMV-AC317	—	Fujitsu
AC3	AC adapter	VW-AD9	—	Panasonic
USB1	USB Keyboard	—	—	FSC
USB2	USB Mouse	M-UV69a	LZP32600036	Fujitsu
USB3	USB Mouse	M-UV96	HCA44800081	Logitech
USB4	USB Mouse	M-UV96	HCA44800081	Logitech
USB5	USB Memory	RUF-C1G	—	BUFFALO
HD1	IEEE	—	—	FSC
HD2	IEEE	DIL-G	—	BUFFALO
HP	Head Phone	—	—	—
PC card	PC card	FMV-J502	DM01010817	Fujitsu
CF card	CF card	HB286030C2	—	Hitachi

## Cables SLD: Shielded NSLD: Non-shielded CAX: Coaxial

Connector MC: Metal NMC: Non-metal PMC: Point contact metal

No.	I/O Port	Name	Type	Length	Cable type
①	Phone-out	Headset cable	—	2.2m	NSLD, MC
②	Mic-in	Headset cable	—	2.2m	NSLD, MC
③	IEEE	IEEE 1394 cable	—	1.5m	SLD, NMC
④	AC4	AC adapter cable	—	1.5m	NSLD, NMC
⑤	—	Power cable	—	2.0m	NSLD, NMC
⑥	Modem	Modem cable	—	20m	NSLD, NMC
⑦	TEL	Modem cable	—	2.0m	NSLD, NMC
⑧	—	Power cable	—	2.0m	NSLD, NMC
⑨	LAN	LAN cable	—	20.0m	SLD, MC
⑩	—	LAN cable	—	1.0m	SLD, NMC
⑪	GSH	Power cable	—	2.0m	SLD, NMC
⑫	AC2	AC adapter cable	—	1.6m	NSLD, NMC
⑬	—	Power cable	—	1.8m	NSLD, NMC
⑭	USB3	USB mouse cable	—	1.5m	SLD, NMC
⑮	USB4	USB mouse cable	—	1.5m	SLD, NMC
⑯	USB1	USB mouse cable	—	1.5m	SLD, NMC
⑰	USB2	USB Keyboard	—	0.5m	SLD, NMC
⑱	RGB	RGB cable	—	1.5m	SLD, MC with fixed core
⑲	—	Power cable	—	2.0m	SLD, NMC with fixed core
⑳	IEEE	IEEE 1394 cable	—	1.5m	SLD, NMC
㉑	—	Power cable	—	2.0m	NSLD, NMC
㉒	Line out	Head Phone cable	—	2.2m	NSLD, NMC
㉓	AC1	AC adapter cable	—	1.6m	NSLD, NMC
㉔	—	Power cable	—	1.8m	NSLD, NMC

**Appendix data (#05-050E: Total 13 pages)****1. Photograph #05-050E (3 pages)**

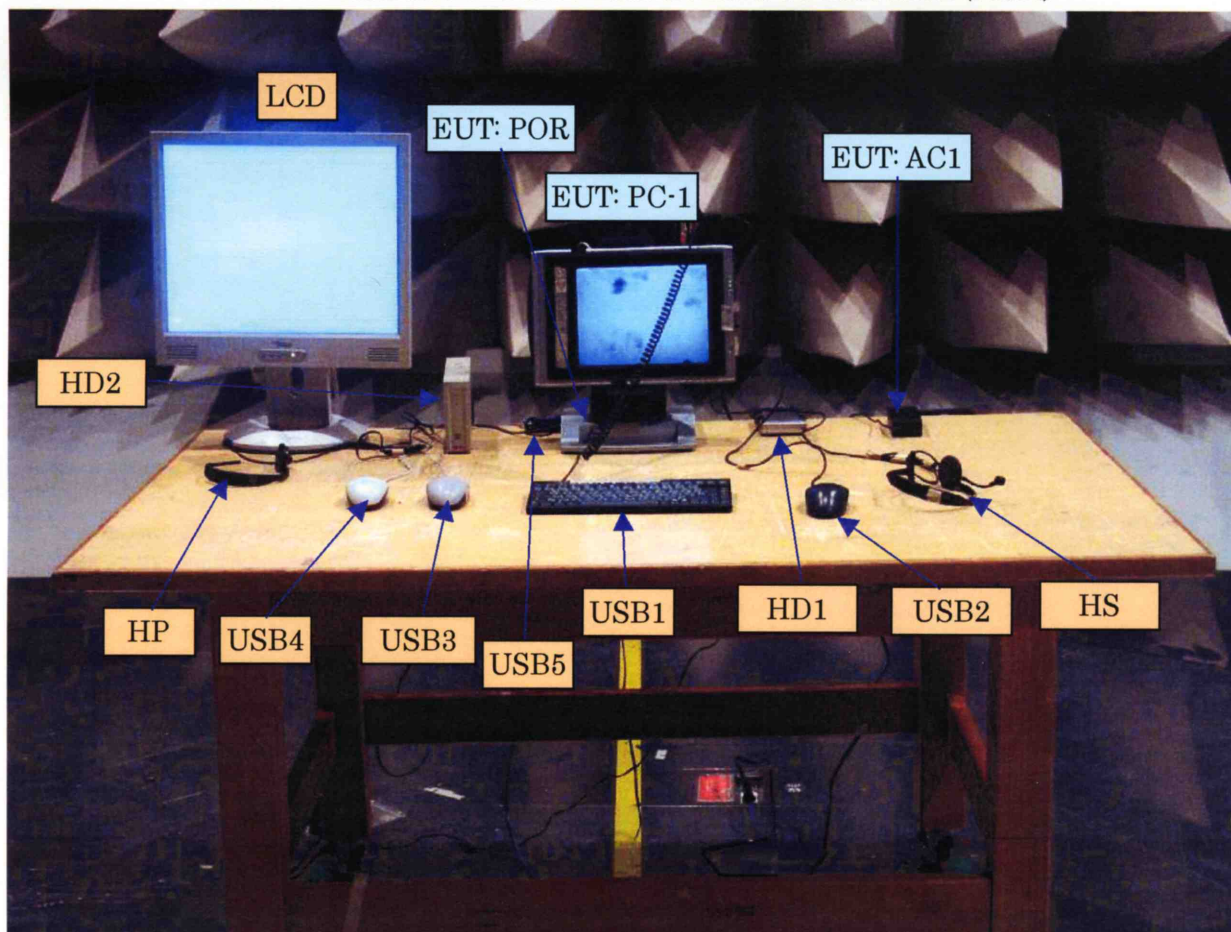
- Radiated emission measurement 30-1000 MHz(Front) : Photo-1.1
- 30-1000 MHz (Back) : Photo-1.2
- 1-6 GHz (Front) : Photo-1.3
- Conducted emission measurement : Photo-2
- Label : Photo-3

**2. Test data (10 pages)**

- Radiated emission 30-1000 MHz : #05-050E-RE (2 pages)
- 1-6 GHz : #05-050E-GH (2 pages)
- Conducted emission AC 100 V / 50 Hz : #05-050E-CE1 (2 pages)
- AC 120 V / 60 Hz : #05-050E-CE2 (2 pages)
- AC 230 V / 50 Hz : #05-050E-CE3 (2 pages)



Photo-1.1 Radiated emission measurement; 30-1000 MHz (Front)



• PC-2 and HUB were set at outside of the chamber.

Photo-1.2 Radiated emission measurement; 30-1000 MHz (Back)

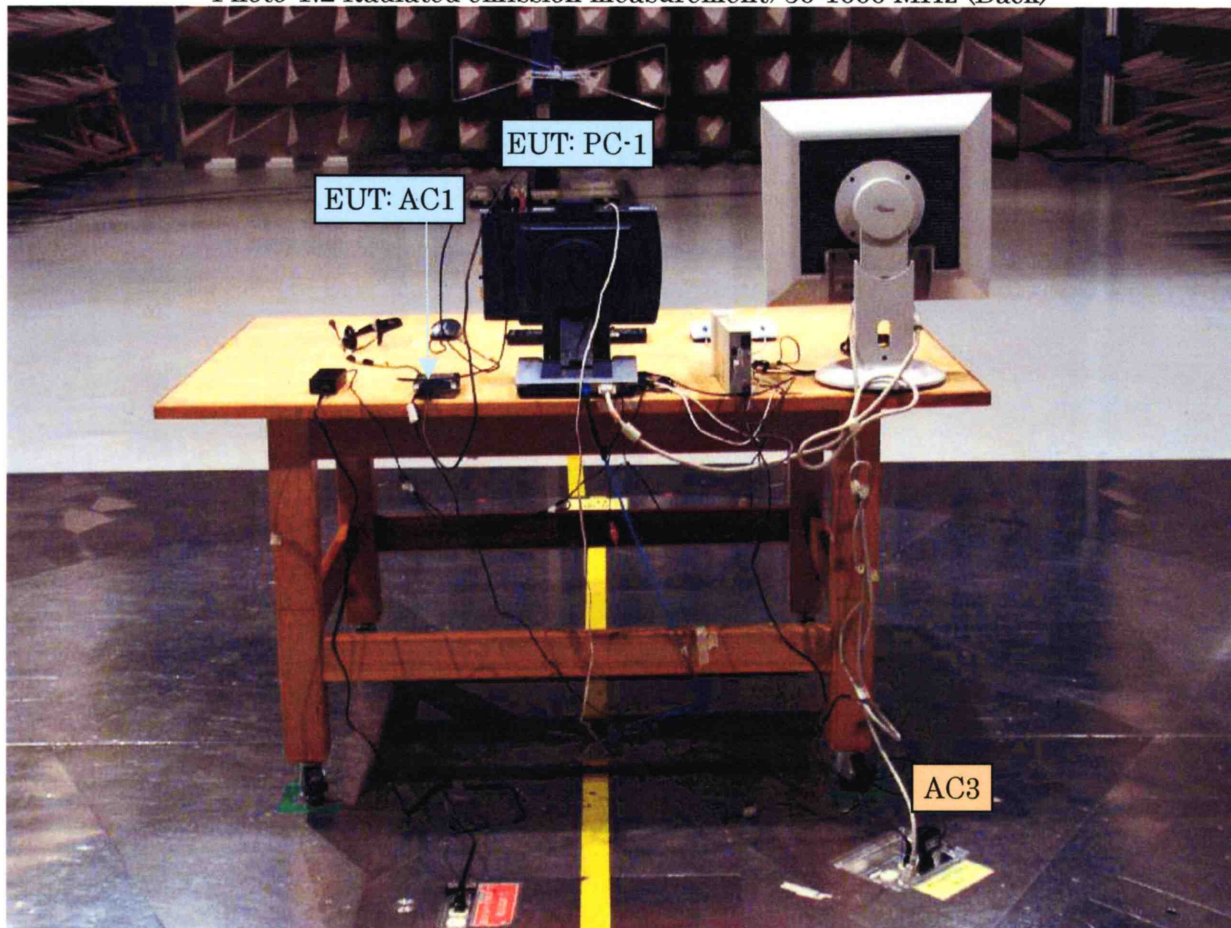




Photo-1.3 Radiated emission measurement; 1-6 GHz (Front)



Photo-2.1 Conducted emission measurement

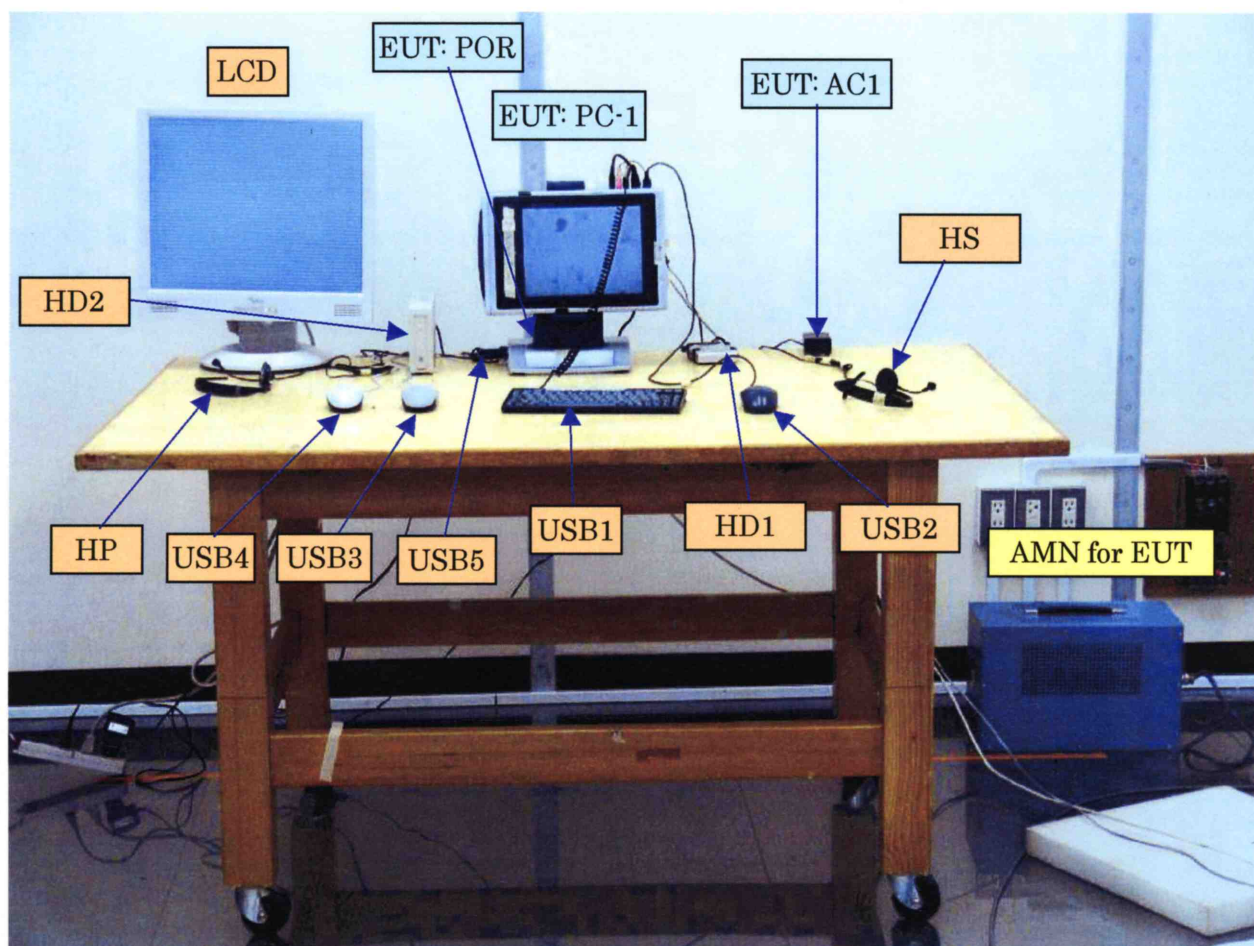
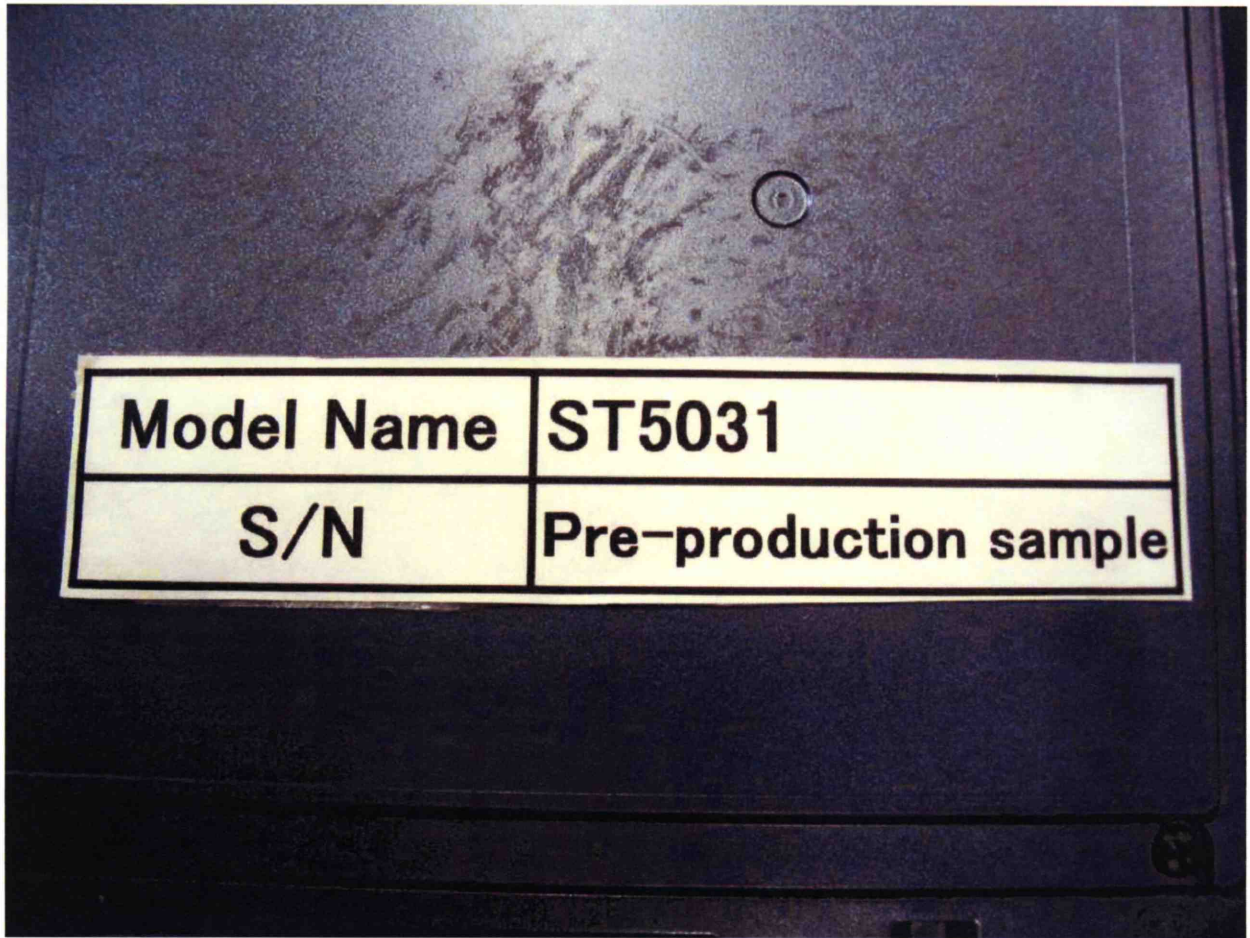


Photo-3 Label



**Model Name**

**ST5031**

**S/N**

**Pre-production sample**