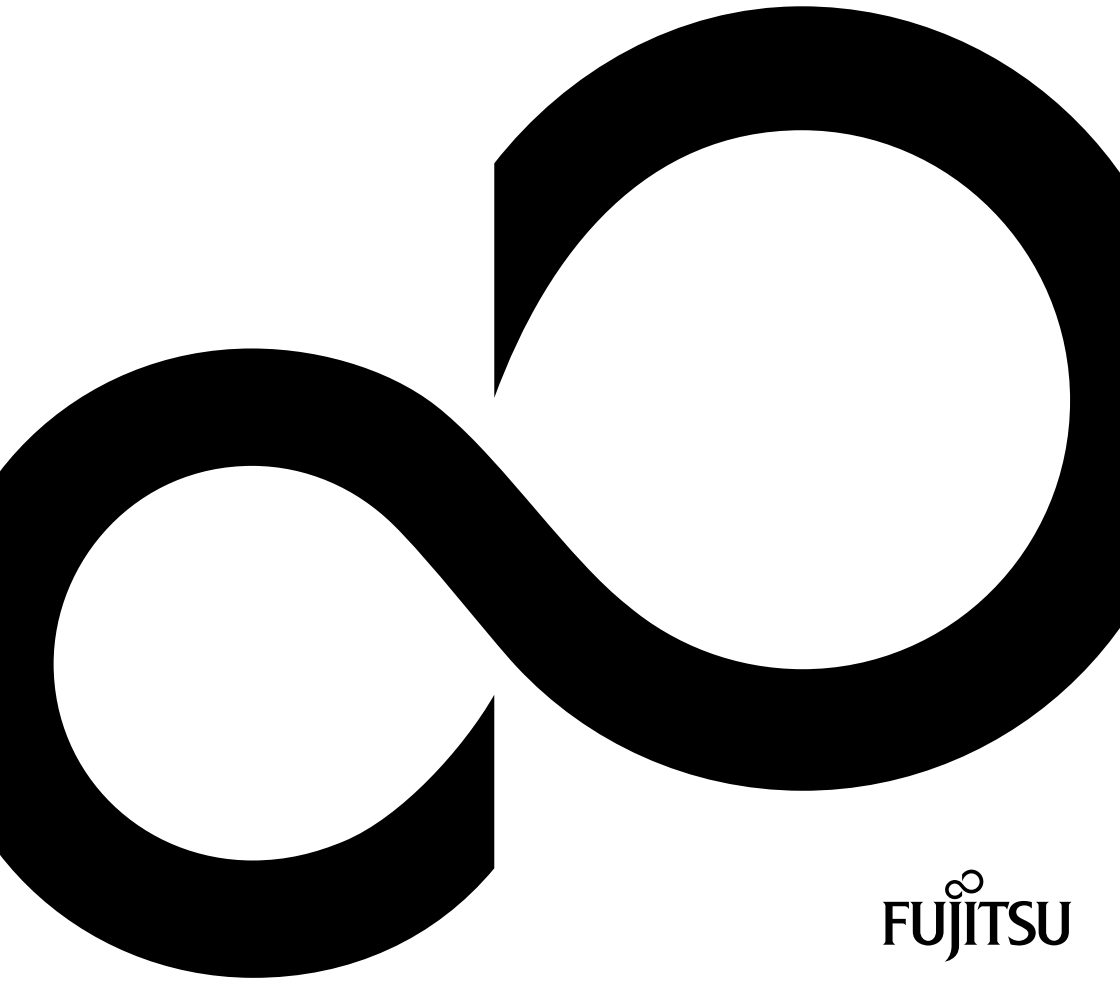


FUJITSU Tablet STYLISTIC Q7310





Contact address in North America

FUJITSU AMERICA INC.

1250 East Arques Avenue, Sunnyvale,

CA 94085-3470, U.S.A.

Telephone: 800 831 3183 or 408 746 6000

["http://solutions.us.fujitsu.com"](http://solutions.us.fujitsu.com)

["http://solutions.us.fujitsu.com/contact"](http://solutions.us.fujitsu.com/contact)

Have a question? Email us at: ["AskFujitsu@us.fujitsu.com"](mailto:AskFujitsu@us.fujitsu.com)

Copyright

© 2 0 2 0 Fujitsu America, Inc. All rights reserved

FPC65-7994-02

FUJITSU Tablet STYLISTIC Q7310

Operating Manual

| | |
|--|------------|
| Declarations of conformity | 7 |
| Fujitsu Contact Information | 8 |
| Ports and controls | 10 |
| Important notes | 13 |
| First-time setup of your device | 17 |
| Working with the Tablet PC | 21 |
| Accessories for your Tablet PC (optional) | 37 |
| Security functions | 69 |
| Connecting external devices | 77 |
| Settings in BIOS Setup Utility | 82 |
| Troubleshooting and tips | 84 |
| Technical data | 93 |
| Manufacturer's notes | 99 |
| FCC and IC Regulatory Information | 102 |
| Canadian Notice / Avis pour le Canada | 106 |
| Appendix | 107 |
| Index | 121 |

Copyright and Trademark Information

Fujitsu America, Incorporated has made every effort to ensure the accuracy and completeness of this document; however, as ongoing development efforts are continually improving the capabilities of our products, we cannot guarantee the accuracy of the contents of this document. We disclaim liability for errors, omissions, or future changes.

Fujitsu, the Fujitsu logo and STYLISTIC are registered trademarks of Fujitsu Limited or its subsidiaries in the United States and other countries.

Intel and Intel Core are trademarks or registered trademarks of Intel Corporation or its subsidiaries in the United States and other countries.

Microsoft and Windows are either registered trademarks or trademarks of Microsoft Corporation in the United States and/or other countries.



HDMI and HDMI High-Definition Multimedia Interface and the HDMI Logo are trademarks or registered trademarks of HDMI Licensing, LLC in the United States and/or other countries.

Google is a trademark or registered trademark of Google Incorporated.

Bluetooth is a trademark of Bluetooth SIG, Inc., USA.

USB Type C is a trademark or registered trademark of the USB Implementers Forum in the USA and other countries.

USB Type C is a trademark or registered trademark of the USB Implementers Forum in Canada and other countries.

Adobe, Acrobat, and Adobe Reader are either registered trademarks or trademarks of Adobe Systems Incorporated in the United States and/or other countries.

All other trademarks specified here are the property of their respective owners.

Contents

| | |
|--|-----------|
| Declarations of conformity | 7 |
| Fujitsu Contact Information | 8 |
| Notational conventions | 9 |
| Ports and controls | 10 |
| Important notes | 13 |
| Safety instructions | 13 |
| Additional safety notes for devices with wireless components | 14 |
| Protecting the display screen | 14 |
| Energy saving | 14 |
| Energy saving under Windows | 14 |
| Traveling with your Tablet PC | 15 |
| Before you travel | 15 |
| Transporting the Tablet PC | 16 |
| Cleaning the Tablet PC | 16 |
| First-time setup of your device | 17 |
| Unpacking and checking the device | 17 |
| Choose a location | 18 |
| Connecting the AC adapter | 18 |
| Switching on the device for the first time | 19 |
| Installing Bonus Apps | 20 |
| Working with the Tablet PC | 21 |
| Status indicators | 21 |
| Switching the Tablet PC on | 23 |
| Programming the ON/OFF button | 23 |
| Switching the Tablet PC off | 24 |
| Handwriting recognition | 24 |
| Touchscreen | 24 |
| Select display orientation (portrait or landscape format) | 25 |
| Using the touchscreen | 26 |
| Using fingers | 26 |
| Using the stylus | 26 |
| Tablet buttons | 30 |
| Camera | 31 |
| Rechargeable battery | 31 |
| Charging and maintaining the battery | 31 |
| Using the power-saving functions | 32 |
| Memory cards | 32 |
| Supported formats | 32 |
| Inserting the memory card | 33 |
| Removing the memory card | 33 |
| SIM card (configuration-dependent) | 34 |
| Inserting a SIM card | 34 |
| Removing a SIM card | 35 |
| Wireless LAN / Bluetooth / LTE / 4G wireless components | 35 |
| Switching the wireless components on and off | 35 |
| Configuring WLAN access | 35 |
| Further information on WLAN and Bluetooth | 36 |

| | |
|--|-----------|
| Access via 4G / LTE | 36 |
| Ethernet and LAN (optional, only with cradle, keyboard cover or adapter cable) | 36 |
| Accessories for your Tablet PC (optional) | 37 |
| Your docking cradle (optional) | 38 |
| Cradle components | 38 |
| Setting up the cradle | 39 |
| Connecting the Tablet PC to the cradle | 39 |
| Disconnecting the Tablet PC from the cradle | 41 |
| Keyboard cover (optional) | 42 |
| Components of the keyboard cover | 42 |
| Connecting the Tablet PC to the keyboard cover | 43 |
| Separating the Tablet PC from the keyboard cover | 44 |
| Touchpad and touchpad buttons | 45 |
| Keyboard | 47 |
| Folio cover (optional) | 54 |
| Protective TPU cover | 56 |
| Components of the protective TPU cover | 56 |
| Safety notes | 57 |
| Secure the Smart Card guide | 58 |
| Insert the Tablet PC in the protective TPU cover | 58 |
| Remove the Tablet PC from the protective TPU cover | 61 |
| Using the stand | 63 |
| Removing the stand | 64 |
| Connecting the Tablet PC/protective TPU cover to the keyboard cover | 65 |
| Connecting the Tablet PC/protective TPU cover to the cradle | 68 |
| Security functions | 69 |
| Configuring the fingerprint sensor (configuration dependent) | 70 |
| Using the Security Lock | 71 |
| Configuring password protection in BIOS Setup Utility | 71 |
| Protecting BIOS Setup Utility (supervisor password and user password) | 72 |
| Password protection for booting the operating system | 73 |
| Password protection for the hard disk | 74 |
| Smart Card reader (configuration-dependent) | 75 |
| Inserting the SmartCard | 75 |
| Trusted Platform Module - TPM (configuration dependent) | 76 |
| Enabling TPM | 76 |
| Disabling TPM | 76 |
| Connecting external devices | 77 |
| Connecting an external monitor | 77 |
| microHDMI port | 77 |
| VGA monitor port (cradle only) | 78 |
| Connecting USB devices | 79 |
| USB port with charging function (USB Type C) | 80 |
| How to remove USB devices correctly | 80 |
| Headphones/microphone/Line-In/Line-Out/headset-combi port | 81 |
| Settings in BIOS Setup Utility | 82 |
| Starting the BIOS Setup Utility | 82 |
| BIOS Setup Utility operation | 82 |
| Exiting BIOS Setup Utility | 83 |
| Exit Saving Changes - save changes and exit BIOS Setup Utility | 83 |

| | |
|--|------------|
| Exit Discarding Changes - Reject changes and exit BIOS Setup Utility | 83 |
| Load Setup Defaults – load default values | 83 |
| Discard Changes - Discard Changes without exiting BIOS Setup Utility | 83 |
| Save Changes - save changes without exiting the BIOS Setup Utility | 83 |
| Save changes and power off | 83 |
| Troubleshooting and tips | 84 |
| Executing a reset | 85 |
| Forced shutdown | 85 |
| Resetting the rechargeable battery | 85 |
| Help if problems occur | 85 |
| If you need to restore your system | 85 |
| The Tablet PC's date or time is incorrect | 85 |
| Battery charging indicator not lit | 86 |
| The Tablet PC's touchscreen remains dark | 86 |
| The display on the Tablet PC's touchscreen is difficult to read | 86 |
| The external monitor remains blank | 87 |
| The external monitor is blank or the image is unstable | 87 |
| The cursor does not correctly follow the stylus movements | 87 |
| Stylus input not working | 88 |
| The Tablet PC does not start after switch on | 88 |
| The Tablet PC stops working | 88 |
| The printer does not print | 89 |
| The wireless connection to a network does not work | 89 |
| The battery discharges too quickly | 89 |
| Smart Card reader is not recognized | 90 |
| Smart Card PIN forgotten | 90 |
| User and/or supervisor Smart Card lost | 90 |
| Smart Card lost | 90 |
| Acoustic warning | 91 |
| Error messages on the screen | 91 |
| Technical data | 93 |
| Tablet PC | 93 |
| WLAN specifications | 95 |
| WWAN specifications | 96 |
| Screen resolutions for integrated screen and external screens | 96 |
| Rechargeable battery | 96 |
| AC adapter 65 W for the Tablet PC with/without keyboard cover | 97 |
| AC adapter 90 W for Tablet PC with cradle | 97 |
| Cradle (optional) | 97 |
| Keyboard cover (optional) | 98 |
| Folio cover (optional) | 98 |
| Protective TPU cover with stand, hand strap, and shoulder strap (optional) | 98 |
| Manufacturer's notes | 99 |
| Disposal and recycling | 99 |
| Recycling your battery | 99 |
| DOC (Industry CANADA) Notices | 100 |
| UL Notice | 100 |
| ENERGY STAR Compliance | 101 |
| FCC and IC Regulatory Information | 102 |
| Regulatory Notes and Statements | 102 |

| | |
|---|------------|
| Wireless LAN, Health and Authorization for use | 102 |
| Regulatory Information/Disclaimers | 102 |
| Federal Communications Commission and Industry Canada statement: | 103 |
| Déclaration d'Industrie Canada | 103 |
| FCC Interference Statement | 103 |
| FCC Radio Frequency Exposure statement | 104 |
| Déclaration de la FCC/d'Industrie Canada sur l'exposition aux radiofréquences | 104 |
| Export restrictions | 104 |
| Restrictions concernant l'exportation | 105 |
| Canadian Notice / Avis pour le Canada | 106 |
| Canadian Notice | 106 |
| Avis pour le Canada | 106 |
| Appendix | 107 |
| Before Using the Optional Wireless LAN | 107 |
| Wireless LAN Devices Covered by this Document | 107 |
| Characteristics of the WLAN Device | 107 |
| Wireless LAN Modes Using this Device | 108 |
| Deactivating/Disconnecting the WLAN Device | 110 |
| Configuring the Wireless LAN | 111 |
| Connection to the network | 111 |
| Troubleshooting the WLAN | 111 |
| Using the Bluetooth Device | 114 |
| 4G Sierra Wireless AirPrime EM7455B Regulatory and Safety Information | 114 |
| Important notice | 115 |
| Safety and hazards | 115 |
| Important safety/compliance information for North American users | 116 |
| FCC Radio Frequency Exposure statement | 116 |
| Image Backup and Recovery Procedures | 117 |
| Windows 10 Procedures | 117 |
| Creating a recovery drive | 117 |
| Recovery options in Windows 10 | 117 |
| Downloading driver updates | 120 |
| Index | 121 |

Declarations of conformity



DECLARATION OF CONFORMITY

according to FCC Part 15

Responsible Party Name: Fujitsu America, Inc.
Address: 1250 E. Arques Avenue Sunnyvale, CA 94085
Telephone: (408) 746-6000
Declares that product: Base Model Configuration: STYLISTIC Q7310
(7Q13A1)

Complies with Part 15 of the FCC Rules.

This device complies with Part 15 of the FCC rules. Operations are subject to the following two conditions: (1) This device may not cause harmful interference. (2) This device must accept any interference received, including interference that may cause undesired operation.

Fujitsu Contact Information

Service and Support

You can contact Fujitsu Service and Support in the following ways:

- Toll free phone: 1-800-8Fujitsu (1-800-838-5487)
- Website: "<http://solutions.us.fujitsu.com/www/content/support/contact/index.php>"



Before you place the call, have the following information ready so that the customer support representative can provide you with the fastest possible solution:

- Product name
- Product configuration number
- Product serial number
- Purchase date
- Conditions under which the problem occurred
- Any error messages that have occurred
- Type of device connected, if any

Fujitsu Shopping Online

Please go to "<http://www.shopfujitsu.com/store/>".





Maintaining Latest Configuration

To ensure that you always have the most current driver updates related to your system, you should occasionally access the Fujitsu Software Download Manager (FSDM) utility. The FSDM utility is available from the Fujitsu Support site. FSDM will allow you to view a list of the most current drivers, utilities and applications to determine whether you have the latest versions. If you have a Windows operating system, you will need to go to the Support Site to download the FSDM Utility: "<http://www.shopfujitsu.com/CSPortal/support.do?srch=DOWNLOADS>".

Limited Warranty

Your STYLISTIC Tablet PC is backed by a Fujitsu International Limited Warranty. Check the Limited Warranty Terms and Conditions Booklet that came with your Tablet PC.

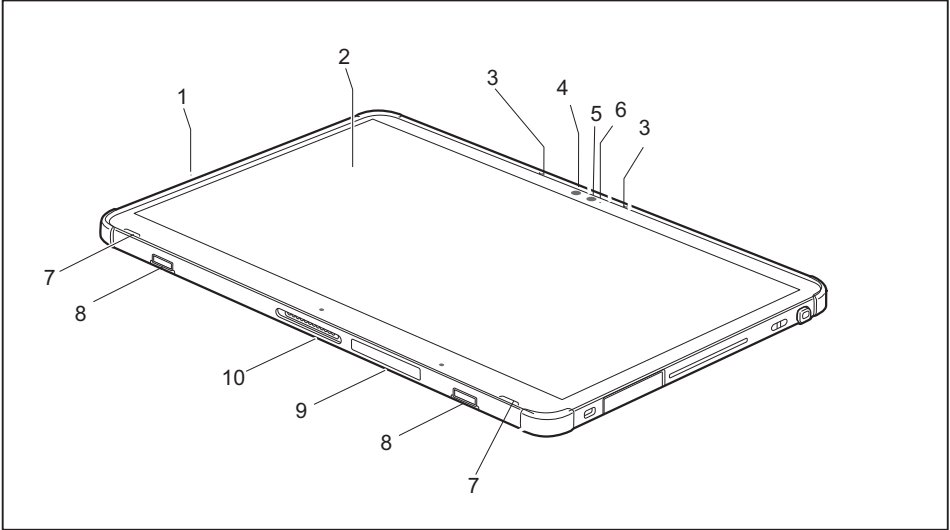
Notational conventions

| | |
|--|--|
|  | Pay particular attention to text marked with this symbol. Failure to observe this warning will endanger your life, will damage the device or lead to loss of data. The warranty will be invalidated if the device becomes defective through failure to observe these warnings. |
|  | Indicates important information which is required to use the device properly. |
|  | indicates an activity that must be performed |
|  | indicates a result |
| This style | indicates data entered using the keyboard in a program dialogue or at the command line, e.g. your password (N ame 123) or a command used to start a program (s tart. e x e) |
| This style | indicates information that is displayed on the screen by a program, e.g.: Installation is complete. |
| <i>This style</i> | indicates <ul style="list-style-type: none"> terms and texts used in a software interface, e.g.: Click on <i>Save</i>. names of programs or files, e.g. <i>Windows</i> or <i>setup.exe</i>. |
| "This style" | indicates <ul style="list-style-type: none"> Cross-references to another section, e.g. "Safety information" cross-references to an external source, e.g. a web address: For more information, go to "fujitsu.com/us" names of CDs, DVDs and titles or designations of other materials, e.g.: "CD/DVD Drivers & Utilities" |
| Key | indicates a key on the keyboard, e.g.: F10 |
| This style | indicates terms and text that are emphasized or highlighted, e.g.: Do not switch off the device |

Ports and controls

This chapter presents the individual hardware components of your device. It gives an overview of the indicators and connections of the device. Please familiarize yourself with these items before you start to work with the device.

Front



1 = Power-on indicator

2 = Touchscreen

3 = Microphone

4 = Ambient light sensor

5 = Camera

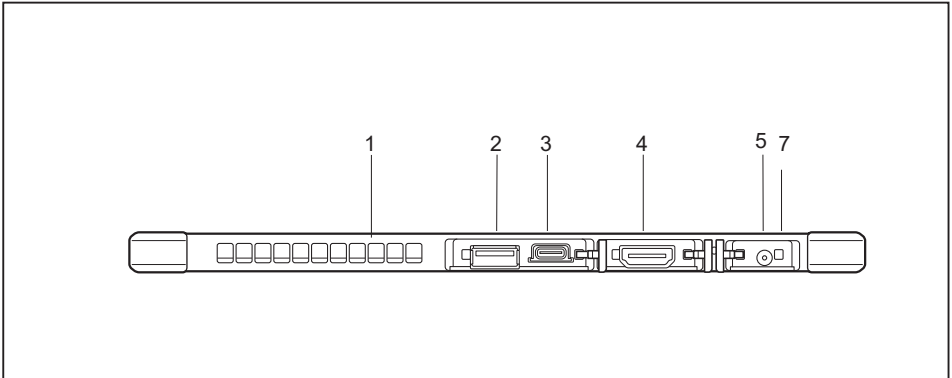
6 = Camera LED

7 = Speaker

8 = Mechanical mounting for keyboard
cover / cradle

9 = SIM card slot (configuration-dependent,
protected by cover)

10 = Docking port

Left side

1 = Air vents

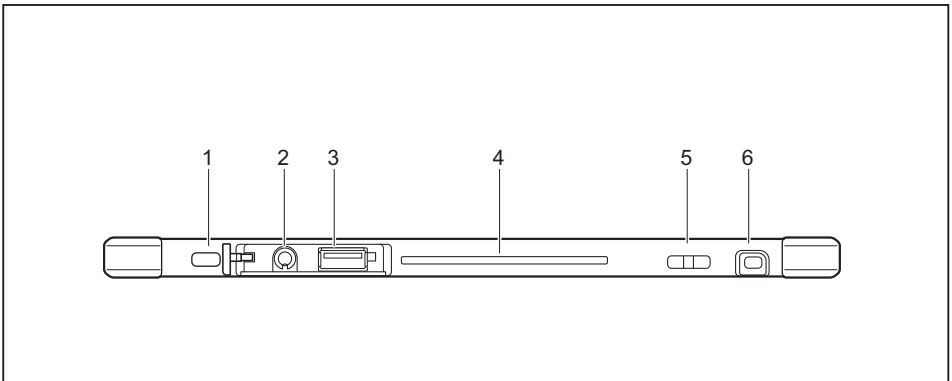
2 = USB port 3.1 with recharging function
(USB Type C)

3 = microHDMI port

4 = HDMI port

5 = DC input connector (DC IN)

6 = Battery charging indicator

Right side

1 = On button

2 = Combined headphones and
microphone port

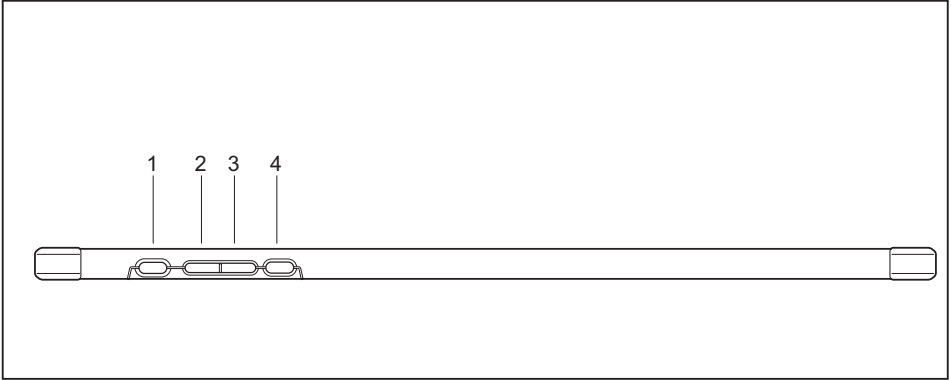
3 = USB port 2.0 (USB Type A)

4 = Smart Card slot (configuration-dependent)

5 = Attachment point for optional stylus tether

6 = Stylus slot

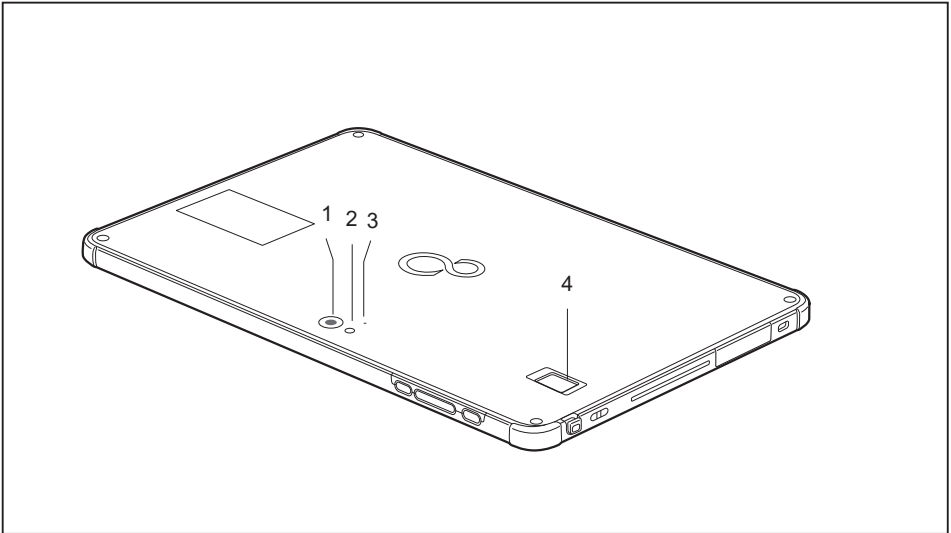
Top



- 1 = ON/OFF button
- 2 = Volume Up button

- 3 = Volume Down button
- 4 = Shortcut button

Rear



- 1 = Camera light
- 2 = Camera
- 3 = Camera LED

- 4 = Fingerprint sensor (configuration dependent)

Important notes



This chapter contains essential safety information which must be followed when working with your Tablet PC. The other notes provide useful information about your Tablet PC.

Safety instructions



Please observe the following safety information.

Please pay special attention to the sections in the manual marked with the symbol on the left.

When connecting and disconnecting cables, observe the relevant notes in this operating manual.

Read the information on the ambient conditions in the ["Technical data", Page 93](#) chapter and the ["First-time setup of your device", Page 17](#) chapter before preparing your Tablet PC for use and switching it on for the first time.

When cleaning the device, please observe the relevant notes in the section ["Cleaning the Tablet PC", Page 16](#).

When handling this device, you will come into contact with lead, a chemical which in California is held to be a possible cause of birth defects and other damage to fertility.

Wash your hands after using the device.

Do not place the device on uneven or unstable surfaces.

Do not place any objects on the device.

Do not apply any pressure to the device.

Do not use the corners of the display to move it.

Turn the display carefully. In doing so, do not use excessive force.

Lift and carry the device by holding it at the bottom and not just at the display.

Prevent harsh impacts, vibrations and shaking of the device and the display.

On devices with touchscreen: Use very little pressure to carefully tap and write on the display.

Keep the ventilation slots free.

Switch off the device before you put it inside a bag or backpack.

In emergencies (e.g. damage to the device or power cable, entry of liquids or foreign objects), immediately switch off the device and disconnect the AC plug. Short circuit, smoke and/or fire may occur as a result. Please contact your sales outlet or our Hotline/Service Desk.

This Tablet PC complies with the relevant safety regulations for data processing equipment. If you have questions as to whether you can set up the Tablet PC in the intended environment, please contact your sales outlet or our hotline/service desk.

Additional safety notes for devices with wireless components

If a wireless component (Wireless LAN, Bluetooth, 4G) is integrated in your Tablet PC, you must be sure to observe the following safety precautions when using your Tablet PC:

- Switch off the wireless components when you are in an aircraft or driving in a car.
- Switch off the wireless components when you are in a hospital, an operating room or near a medical electronics system. The transmitted radio waves can impair the operation of medical devices.
- Switch off the wireless components, when you let the device get near flammable gases or into hazardous environments (e.g. gas station, paint stores), as the transmitted radio waves can cause an explosion or a fire.



For further information on how to switch the wireless components on and off, refer to section ["Switching the wireless components on and off", Page 35.](#)

Protecting the display screen



Do not pour liquids on the system or wash it with a heavily soaked cloth. Do not place items on the top of the monitor in order to prevent it from being damaged.

During normal use of the device, small particles from the environment can become embedded in the stylus tip and scratch the screen. The warranty does not cover a scratched screen.

Energy saving

If you will not be using your Tablet PC, switch it off. Switch off any connected external devices when they are not in use. If you use the energy saving functions, the Tablet PC uses less power. If you do this, you will be able to work longer with the Tablet PC before having to recharge the battery.



The energy efficiency is increased and environmental pollution is reduced. You save money and help protect the environment.

Energy saving under Windows

- ▶ Make use of the available energy-saving functions as described in chapter ["Using the power-saving functions", Page 32.](#)

Traveling with your Tablet PC

Please follow the instructions below when traveling with your Tablet PC.

Before you travel

- ▶ Back up important data stored on your hard disk.
- ▶ Switch off the wireless component for data security reasons. With data traffic via a wireless connection, it is also possible for unauthorized third parties to receive data.



Information on activating data encryption is provided in the documentation for your wireless component.

- ▶ If you want to use your Tablet PC during a flight, ask the flight attendants to see it is safe to use it.

When traveling in other countries

- ▶ If you are traveling abroad, check that the AC adapter can be operated with the local AC voltage. If this is not the case, obtain the appropriate AC adapter for your Tablet PC. Do not use any other voltage converter!
- ▶ Check whether the local AC voltage and the AC cable are compatible. If this is not the case, buy an AC cable that suits the local conditions.
- ▶ Enquire with the appropriate government office of the country you will be traveling in as to whether you may there operate the wireless component integrated in your Tablet PC.
- ▶ Take the necessary travel adapters with you when traveling abroad. Check in the following table for which travel adapters you will need, or ask your travel organizer.

| Power connection | Travel destination |
|------------------|--|
| | United States, Canada, Mexico, parts of Latin America, Japan, Korea, Philippines, Taiwan |
| | Russia and the Commonwealth of Independent States (CIS), much of Europe, parts of Latin America, the Middle East, parts of Africa, Hong Kong, India, much of south-east Asia |
| | United Kingdom, Ireland, Malaya, Singapore, parts of Africa |
| | China, Australia, New Zealand |

Transporting the Tablet PC



Protect the Tablet PC from severe shocks and extreme temperatures (e.g. direct sunlight in a car).

- Do not transport your Tablet PC while it is turned on.
- Carry your Tablet PC with you while traveling. Do not check it in as baggage.
- Never put your Tablet PC through a metal detector. Have it hand-inspected by security personnel. You can however put your Tablet PC through a properly tuned X-ray machine. To avoid problems, place it close to the entrance of the machine and remove it as soon as possible or have it hand-inspected by security personnel. Security officials may require you to turn your Tablet PC on. So make sure you have a charged battery on hand for this.

- ▶ Switch the Tablet PC off.
- ▶ Unplug the AC plug of the AC adapter and all external devices from the power outlets.
- ▶ Disconnect the AC adapter cable and the data cables for all external devices.
- ▶ To protect against damaging jolts and bumps, use a suitable Tablet PC carrying case to transport your Tablet PC.

Cleaning the Tablet PC



Do not clean any interior parts yourself; leave this job to a service technician.

Only use detergents designed for computers. Normal household cleaners and polishes can damage the labels on the keyboard and the Tablet PC, the paintwork or the Tablet PC itself.

Ensure that no liquid enters the Tablet PC.

The touchscreen is very sensitive to scratches! Only clean the display surface with a very soft, slightly damp cloth.

- ▶ Switch the Tablet PC off.
- ↳ The surfaces may be cleaned with a dry cloth. If particularly dirty, use a cloth which has been moistened in mild domestic detergent and then carefully wrung out.

First-time setup of your device



Please read the chapter "[Important notes](#)", [Page 13](#).

If your device is equipped with a Windows operating system, the necessary hardware drivers and supplied software are already pre-installed.

Before switching it on for the first time, connect the device to the AC voltage using the AC adapter, see "[Connecting the AC adapter](#)", [Page 18](#). The AC adapter must remain connected during the whole of the installation process.

A system test is performed when your device is first switched on. Various messages can appear. The display may remain dark for a short time or may flicker.

Please follow the instructions on the screen.

NEVER switch off your device during the first-time setup process.

The battery must be charged if you want to operate your device using the battery.

When used on the move, the built-in battery provides the device with the necessary power. You can increase the operating time by using the available energy-saving functions.

For instructions on how to connect external devices (e.g. mouse, printer) to your Tablet PC, please refer to the operating manual for your device.

Unpacking and checking the device



If you find that damage has occurred during transport, please notify your local sales outlet immediately!

- ▶ Unpack all the individual parts.
- ▶ Check your device for any visible damage which may have occurred during transportation.



You may need to reuse the packaging in the future, for example if you need to ship your device.

Choose a location



Choose a suitable location for the device before setting it up. In doing so, please follow these instructions:

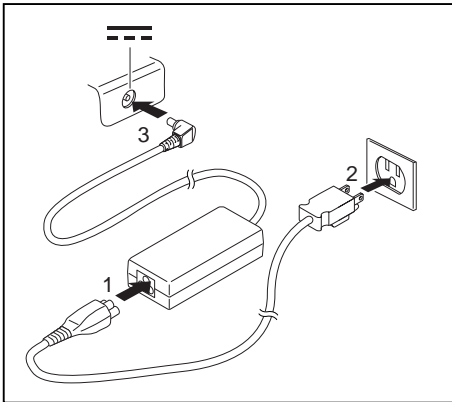
- Never place the device or the AC adapter on a heat-sensitive surface. The surface could be damaged as a result.
- Never place the device on a soft surface (e.g. carpeting, upholstered furniture, bed). This can result in damage caused by overheating.
- The back of the device heats up during normal operation. Prolonged contact with skin can become unpleasant or even result in burns.
- Place the device on a stable, flat, non-slippery surface. Please note that the rubber feet of the device may mark certain types of delicate surfaces.
- Keep other objects at least 100 mm / 3.94 inches away from the device and its AC adapter to ensure adequate ventilation.
- Do not expose the device to extreme environmental conditions. Protect the device against dust, humidity and heat.

Connecting the AC adapter



Please follow the safety notes in section "[Important notes](#)", [Page 13](#).

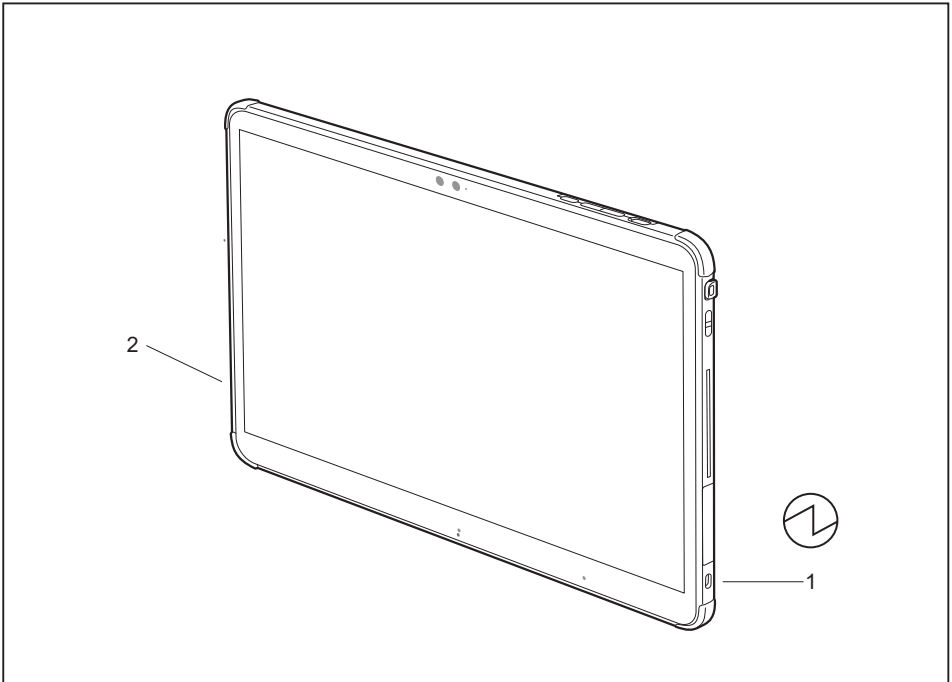
The supplied AC cable conforms to the requirements of the country in which you purchased your device. Make sure that the AC cable is approved for use in the country in which you intend to use it.



- ▶ Connect the power cable (1) to the network adapter provided for the device, see chapter "[Technical data](#)", [Page 93](#).
- ▶ Plug the AC cable (2) into a power outlet.
- ▶ Connect the AC adapter cable (3) to the DC jack (DC IN) of the device.

Switching on the device for the first time

To make it easier to use your device for the first time, the operating system is pre-installed on the hard disk.



- ▶ Press the ON/OFF button (1) for about one second to switch the device on.
- ↳ The power-on indicator (2) lights up whenever the system is switched on.
- ▶ During the installation process, follow the on-screen instructions.



You can find information and help on the Windows operating system functions online at ["http://windows.microsoft.com"](http://windows.microsoft.com).

Installing Bonus Apps

The *Fujitsu Bonus Apps* utility can be accessed via the *Start* menu.

- ▶ In the *Start* menu, click on *Fujitsu Extras*.
- ▶ Double-click on the *Application* folder.
- ▶ Double-click on the shortcut *Fujitsu BonusApps*.
- ▶ In the dialog box *User Account Control* by clicking *Yes* confirm you wish to enter *Fujitsu Bonus Apps*.
- ▶ Select the applications you wish to install by selecting the checkbox adjacent to your selection.

or

- ▶ Click *Select All* if you would like to install all available applications.
- ↳ Applications that are already installed appear in grey, those that are available for installation appear in blue.
- ▶ To confirm your selection, click *Install*.



Note that in some cases (depending upon which application was selected for installation) after installation completes, the system will prompt you to reboot.

There are also cases in which if multiple applications are selected to install but one of them needs a reboot, the system will reboot and continue installing the rest of the selected applications.

Working with the Tablet PC

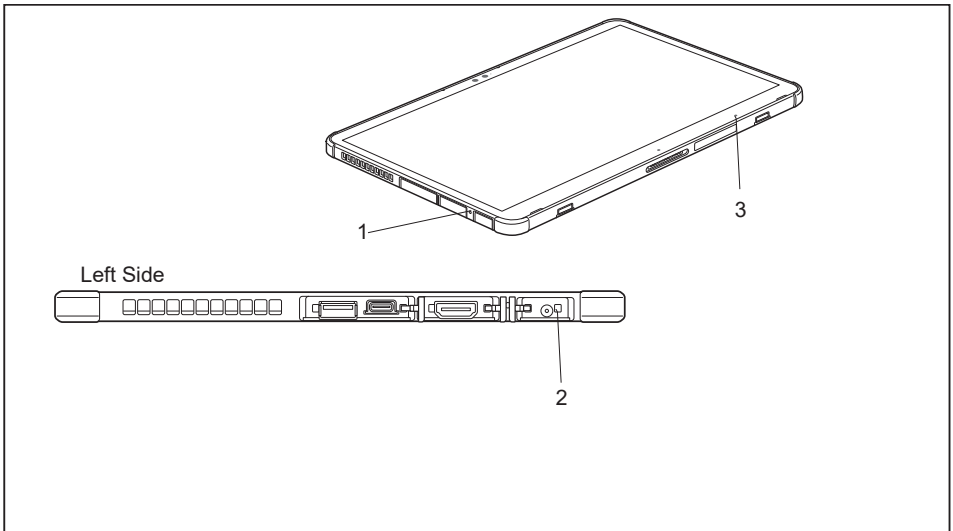
This chapter describes the basics for operating your Tablet PC. You can find instructions on how to connect external devices (e.g. mouse, flash storage) to the Tablet PC in the chapter ["Connecting external devices", Page 77](#).






Please refer to the notes in the chapter ["Important notes", Page 13](#).

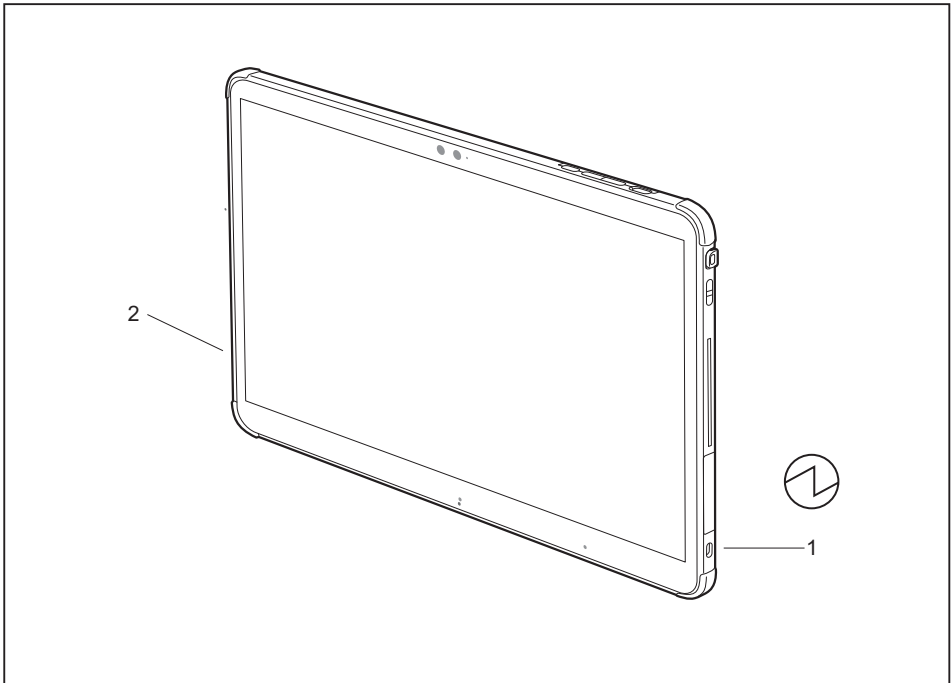
Status indicators

The status indicators (1, 2, 3) provide information about the statuses of the power supply, the rechargeable batteries and the wireless components.



| No. | Status indicator | Description |
|-----|---|---|
| 1 |  | <p>Power-on indicator</p> <ul style="list-style-type: none"> • The indicator lights up white: The Tablet PC is switched on. • The indicator flashes: The Tablet PC is in sleep mode (Save-to-RAM). • The indicator is not lit up: The Tablet PC is switched off or in Save-to-Disk mode. |
| 2 |  | <p>Battery charging indicator</p> <p>Please note: If the AC adapter is connected when the state of charge of the battery is more than 90 %, charging will not be started. When the state of charge of the battery is less than 90 %, the battery will be charged to 100 % as soon as the AC adapter is connected.</p> <ul style="list-style-type: none"> • The indicator lights up orange: The rechargeable battery is charging. • The indicator is not lit up: The rechargeable battery is not being charged (the battery is already more than 90% charged or the AC adapter is not connected). |
| 3 |  | <p>Wireless indicator</p> <ul style="list-style-type: none"> • The indicator lights up white: The wireless components are switched on while the Tablet PC is switched on. • The indicator flashes: The wireless components are switched on and Wake On Wireless LAN is activated while the Tablet PC is in Sleep mode or Save-to-Disk mode, or while the Tablet PC is switched off. • The indicator is not lit up: The wireless components are switched off. |

Switching the Tablet PC on



- ▶ Press the ON/OFF button (1) for about one second to switch the device on.
- ↳ The power-on indicator (2) lights up whenever the system is switched on.

Programming the ON/OFF button

You can program the ON/OFF button:

| Operating system | Menu |
|------------------|--|
| Windows 10 | <i>Windows 10 Start - Control Panel - (Browse Control Panel -) Power Options - Choose what the power buttons do</i> |



If you have assigned a password, you must enter this when requested to do so, in order to start the operating system. Detailed information can be found in the chapter ["Security functions", Page 69](#).

Switching the Tablet PC off



Back up your data and close all applications before you switch off your device. Otherwise data might be lost.

- ▶ Shut down the operating system correctly.
- ▶ If the Tablet PC does not switch itself off automatically, press the ON/OFF button for approx. five seconds.

Handwriting recognition

For detailed information on handwriting recognition, see the documentation for your operating system.

At present, handwriting recognition on Windows supports the following languages:

English, German, French, Italian, Japanese, Korean, Chinese (traditional and simplified), Dutch, Portuguese, Spanish, Brazilian, Norwegian (Bokmål and Nynorsk), Swedish, Finnish, Danish, Polish, Rumanian, Serbian (Cyrillic and Latin script), Catalan, Russian, Czech and Croatian.

On Windows you can set the required language under *Control Panel – Time, Language and Region – Language*.

Touchscreen



Information on screen resolution can be found in the section "[Screen resolutions for integrated screen and external screens](#)", Page 96.

High-quality LCD screens (TFT) are installed in Fujitsu Tablet PCs. For technical reasons, these screens are manufactured for a specific resolution. An optimal, clear picture can only be ensured in the resolution intended for the particular screen. A screen resolution which differs from the specification can result in an unclear picture.

The screen resolution of your Tablet PC's touchscreen is optimally set at the factory.

Current production technology cannot guarantee an absolutely fault-free screen display. A few isolated constantly lit or unlit pixels may be present. The maximum permitted number of such faulty pixels is specified in the international standard ISO 9241-307 (Class II).

Example:

A monitor with HD resolution 1280 x 1024 has 1,310,720 pixels. Each pixel consists of three subpixels (red, green, and blue), which means that there are almost 3.9 million subpixels in total. According to ISO 9241-307 (class II), a maximum of 3 light and 3 dark pixels and, in addition, 7 light or 13 dark subpixels or an equivalent mix (1 light subpixel counts as 2 dark subpixels) are allowed to be defective.

| | |
|----------|--|
| Pixel | A pixel consists of 3 subpixels, normally red, green and blue. A pixel is the smallest element that can be generated by complete functionality of the display. |
| Subpixel | A subpixel is a separately addressable internal structure within a pixel that enhances the pixel function. |
| Cluster | A cluster contains two or more defective pixels or subpixels in a 5 x 5 pixel block. |

Background lighting

LCD screens are operated with background lighting. The luminosity of the background lighting can decrease over the period of use of the Tablet PC. However, you can set the brightness of your screen yourself.

Ambient light sensor

If your Tablet PC was shipped with the *Windows* operating system, the screen brightness is regulated by means of the ambient light sensor and depending on the respective light conditions. This results in optimum readability and longer battery life at the same time.

If your Tablet PC was shipped with Windows 10, the adaptive brightness setting is activated. To change the ambient light sensor settings, select *Control Panel - System and Security - Power Options - Change plan settings - Change advanced power settings - Display - Enable adaptive brightness..*

Synchronizing the display on the touchscreen and an external monitor

In Windows 10 you can proceed as follows to set the output type:

- ▶ Wipe your finger over the screen starting from the right-hand edge.
- ▶ Select *All settings*.
- ▶ Look for the keyword "project".
- ▶ Select *Setting - System - Display*.
- ▶ Activate the checkbox *Change brightness automatically when lighting changes*.

Select display orientation (portrait or landscape format)

You can choose to use either portrait or landscape for the display, or whether the screen orientation should automatically adjust to the orientation of the tablet PC.



You can change these settings under *Control Panel - Hardware and Sound - Windows Mobility Center / Rotate screen*.



In the settings there are profiles saved for operation with different screen orientations. These profiles have preset standard configurations that can be modified as desired.

These settings do not just affect the monitor settings on the Tablet PC, but also on external monitors that are connected.

Using the touchscreen

You can execute commands as follows:

- using the stylus (supplied with your device).
- using your finger

Using fingers

You can execute certain commands by using your finger tip on the touchscreen of your device.



Alternatively, everything which you can select or activate using your finger tip can also be selected or activated using the stylus.

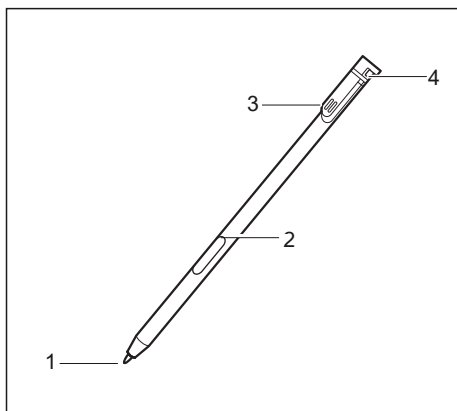
Calibrating screen for fingertip input



Refer to chapter "[Calibrating the stylus](#)", [Page 29](#) to find out how to calibrate your device to use the touchscreen.

Please note: to calibrate the pen and to calibrate the device for fingertip operation, a dedicated calibration program is provided. Do not use the calibration tool for the pen to calibrate for fingertip operation.

Using the stylus



- 1 = stylus tip
- 2 = stylus button (= right mouse button)
- 3 = charging contacts
- 5 = eyelet for optional stylus tether

You can use the stylus on your Tablet PC as an electronic writing tool, to select menu items and to navigate through the programs. Programs that support handwriting recognition also allow you to write directly on the screen with the stylus. You can also use the stylus as a drawing tool.

A stylus tether is available as an optional extra and you can use this to tie the eyelet on the stylus to the eyelet on the Tablet PC.



Use only the stylus that was provided with your Tablet PC. Do not use any other pointed object as a substitute, that was not specially designed for your Tablet PC. Replace the stylus tip if it is worn. The warranty does not cover a scratched screen.

While writing, take care that you do not scratch the surface of the display (e.g. with a wristwatch or bracelet).



The stylus of the Tablet PC is an electronic instrument that can be damaged if used improperly. Handle the stylus with care.

Our recommendations for proper handling of the stylus are as follows:

- Do not gesture with the stylus.
- Do not use the stylus as a pointer.
- Do not use the stylus on surfaces other than the screen of the Tablet PC.
- Do not try to turn the grip of the stylus. The grip is used to put the stylus into its slot or to take it out of its slot.
- Never store the stylus with its weight on the tip (e.g. with the tip pointing down in a pen container). If the stylus is stored with the tip pointing down, this may have an adverse effect on the stylus mechanism (particularly under high temperatures). In this case the stylus tip may react as though it is constantly being pressed down. To avoid damage, the stylus should be stored in the slot when not in use.

The stylus can be influenced by electromagnetic fields (cursor quivers or jumps). There may be a few areas on the screen where the cursor quivers slightly in spite of pressing the stylus down firmly.

The screen responds to entries made with the tip of the finger or the stylus when the tip of the finger or the stylus directly touches the screen.

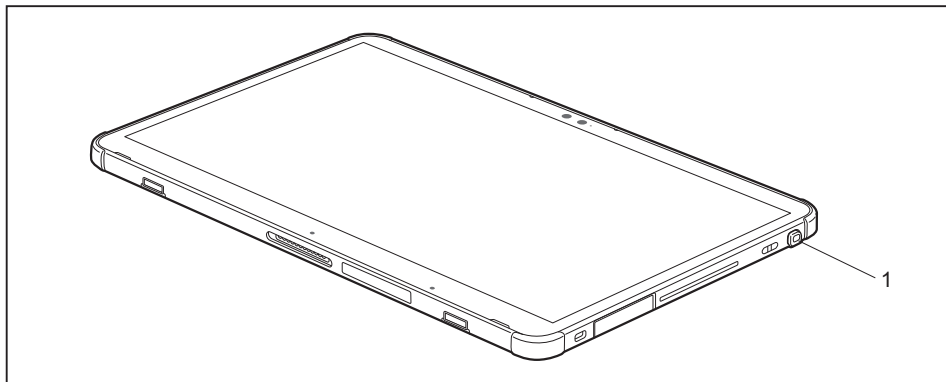
You can use the stylus to perform almost all functions for which you would otherwise use a mouse.

| Action | Mouse | Stylus |
|----------------------------|--|--|
| Selecting menu items | Click with the left mouse button. | Tap on the menu entry with the tip of the stylus. |
| Starting programs | Double-click with the left mouse button. | Tap on the program symbol twice in rapid succession using the stylus tip. |
| Moving an object or window | Drag with the left mouse button pressed. | Place the stylus tip directly on the object or window. Keep the stylus tip held against the screen. Drag the desired object or window. |
| Opening a context menu | Click with the right mouse button. | Tap on the desired element with the stylus and keep the stylus pressed against the screen. |
| Moving the cursor | Move the mouse | Place the tip of the stylus directly on the screen. |

Stylus location



To prevent the stylus from jamming in its slot (1), always ensure that you insert the stylus correctly into its slot (the charging contacts on the stylus point towards the stylus tether attachment point).



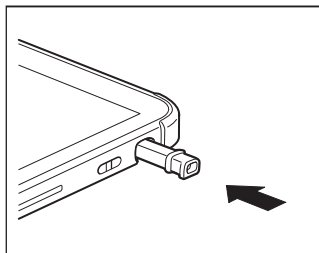
Energy saving functions of the stylus

To save energy, the stylus automatically switches off after 10 minutes of inactivity and switches to power saving mode.

The stylus automatically returns to normal operating mode when the stylus tip is touched again.

Charging the stylus battery

The stylus contains a built-in rechargeable battery, which is automatically charged when the stylus is fully inserted in its slot. The stylus is also charged when the Tablet PC is in power saving mode or is switched off. A charging time of approximately 15 seconds is sufficient to be able to use the stylus for 90 minutes.



- ▶ Insert the stylus fully into the slot.
- ↳ After a charging period of approximately 5 minutes, the stylus battery is fully charged.

Adjusting the stylus

| Operating system | Menu |
|------------------|--|
| Windows 10 | Under <i>System Control - Hardware and Sound - Pen and Touch</i> you can make various settings for the stylus. |

Calibrating the stylus

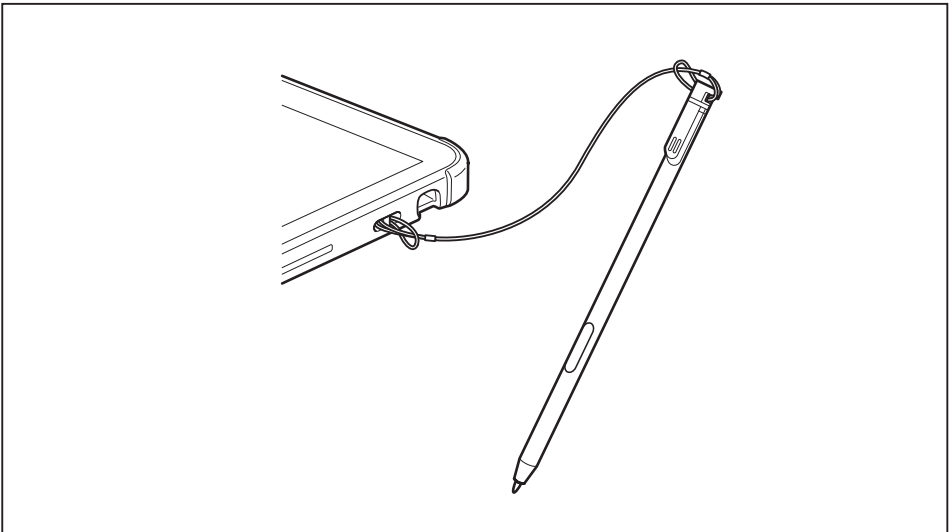
Before first use with the stylus, you must calibrate your Tablet PC via the operating system, so that it recognizes the stylus as accurately as possible.

You should also always repeat the calibration if the co-ordination between the stylus and the cursor movement deteriorates.

| Operating system | Menu |
|------------------|--|
| Windows 10 | To calibrate, run the <i>Hardware and Sound / Tablet PC Settings</i> function in the Control Panel. You need to calibrate both portrait and landscape formats. |

Installing a stylus tether

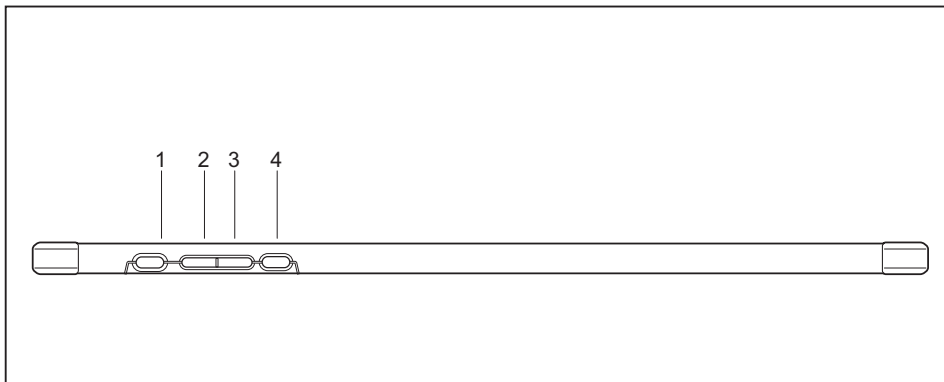
Attach the stylus with a stylus tether to prevent accidentally dropping it or losing it.



- Attach one end of the stylus cord to the stylus and the other end of the stylus cord to the Tablet PC.

Tablet buttons

In addition to the ON/OFF button (1), your Tablet PC is fitted with three tablet buttons.



| No. | Description | Functions |
|-----|--------------------|--|
| 2 | Volume Up button | Increase volume |
| 3 | Volume Down button | Decrease volume |
| 4 | Shortcut button | Start function manager or screen shot function |



If the Tablet PC's ON/OFF button is pressed in combination with the volume down button, this corresponds to the function of the key combination **Ctrl** + **Alt** + **Del** on a keyboard.

Camera



Your device has two cameras: one on the front of the device and one on the rear.

Depending on the software used, you can use your camera to take pictures, record video clips or take part in web chats.

- The picture quality depends on the lighting conditions and the software being used.
- You can only use the camera with a particular application (e.g. an Internet telephony program or a video conferencing program which supports cameras).
- The support of the Tablet PC must not shake while the camera is being used.
- The camera automatically adjusts itself to the current light level. For this reason, the touch screen may flicker while the light level is adjusted.



Further information on the use of the camera and additional settings for it can be found in the help function of the program using the camera.

Rechargeable battery

The built-in battery provides the Tablet PC with the necessary power for use on the move. You can increase the service life of the battery by caring for the battery properly. The average battery service life is around 500 charge/discharge cycles.

You can extend the battery service life by taking advantage of the available energy-saving functions.

Charging and maintaining the battery

The rechargeable battery on the tablet PC can only be charged if the ambient temperature is between 5°C / 41°F and max. 35°C / 95°F.

You can charge the battery by connecting the Tablet PC to the AC adapter (see "[Connecting the AC adapter](#)", [Page 18](#)).

If the AC adapter is connected, charging will not begin if the battery is at least 90% charged. Once the battery charge drops below 90%, and the AC adapter is connected, charging will begin.

If the battery is running low you will hear a warning alarm. If you do not connect the AC adapter within five minutes of hearing the warning alarm, your Tablet PC will switch off automatically.

Monitoring the battery state of charge

A battery symbol for monitoring the battery capacity is displayed in the system bar / status indicator. The battery symbol shows you the battery charge.

Using the power-saving functions

The Tablet PC uses less power when the power-saving functions are enabled. You will then be able to work longer when using the battery before having to recharge it.



The energy efficiency is increased and environmental pollution is reduced. By choosing the best power options, you can make significant savings and at the same time help protect the environment.

- ▶ Set the power-saving functions in your Control Panel.

When the Tablet PC is in a power-saving mode, you must remember the following:



During power-saving mode, open data is held in main memory or in a swap file on the hard disk.

Never switch off the Tablet PC while it is in a power-saving mode. If the built-in battery is nearly flat, close all open files and do not go into power-saving mode.

If you do not intend to use your Tablet PC for a long period of time:

- ▶ Exit the power-saving mode if necessary by touching the screen or by switching the Tablet PC on.
- ▶ Close all opened programs and completely shut down the Tablet PC.

Memory cards

Your Tablet PC is equipped with an integrated storage card reader. Use storage cards to enlarge the storage of your Tablet PC.



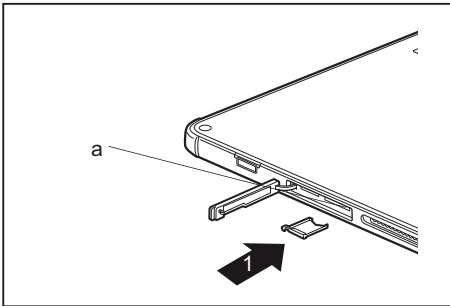
Follow the manufacturer's instructions when handling the memory cards.

Supported formats

The following formats are supported:

- Micro Secure Digital (microSD™ Card)
- microSDHC
- microSDXC

Inserting the memory card

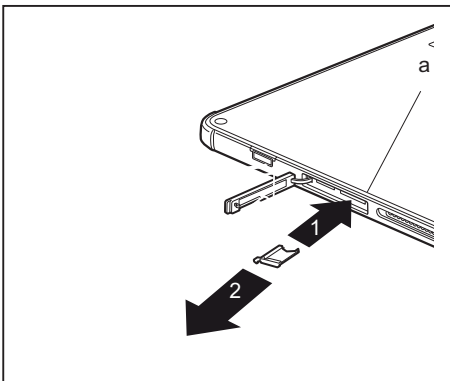


- ▶ Gently slide the memory card into the slot until you feel it click into place. The label area must face the front of the Tablet PC. Do not apply any force, otherwise the delicate contact surfaces could be damaged.

Removing the memory card



To avoid any loss of data, always follow the correct procedure for removing the card (see the documentation for your operating system).



- ▶ Press the edge of the memory card so that the memory card jumps (1) slightly out of the slot (a).
- ▶ Pull the memory card out of the slot (a) in the direction of the arrow (2).

SIM card (configuration-dependent)

A SIM Card (Subscriber Identity Module) is a chip card which is inserted in a cellular phone or Tablet PC and, together with an integrated 4G module, enables access to a cellular radio network.



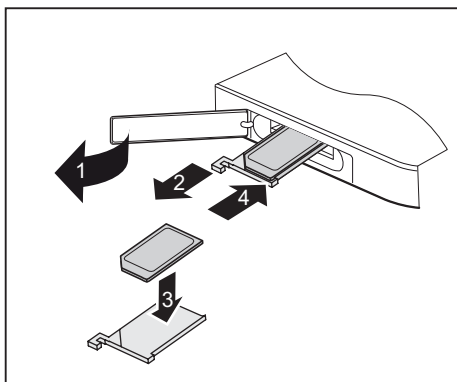
Follow the instructions supplied by the provider of the SIM card. If you do not feel the SIM card engage as you insert it, use a pointed object to insert the SIM card.



Please note that the SIM card format must be micro-SIM (3FF). Other SIM card formats, such as full-size (1FF), mini-SIM (2FF) or nano-SIM (4FF) do not fit in the SIM card slot of your Tablet PC.

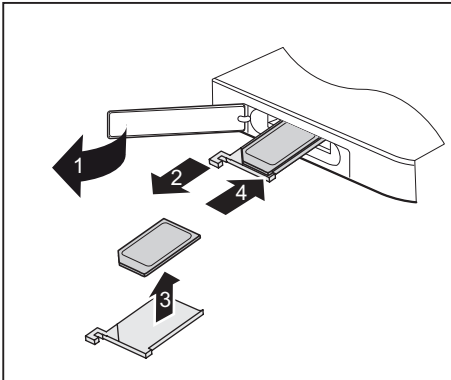
Please do not insert any other format of SIM card as they may become twisted, they could even damage the system.

Inserting a SIM card



- ▶ Open the slot cover (1).
- ▶ Remove the SIM card carrier from its location (2).
- ▶ Insert the SIM card (3) as shown on the SIM card carrier.
- ▶ Push the SIM card carrier back into its location (4).
- ▶ Close the slot cover.

Removing a SIM card



- ▶ Open the slot cover (1).
- ▶ Remove the SIM card carrier from its location (2).
- ▶ Remove the SIM card from the SIM card carrier (3).
- ▶ Push the SIM card carrier back into its location (4).
- ▶ Close the slot cover.

Wireless LAN / Bluetooth / LTE / 4G wireless components



The installation of radio components not approved by Fujitsu will invalidate the certifications issued for this device.



This computer uses an Intel® Wireless Wi-Fi AX201 (module. According to Intel®, this module supports 256-bit AES-GCMP encryption. Full support depends on the general industrial availability of operating systems with WPA3 Enterprise and associated support.

Switching the wireless components on and off

The wireless components are switched on and off using the appropriate functions of the operating system.

- ▶ To switch wireless components on and off individually, select *Settings – Change PC settings – Network – Airplane mode*.

Configuring WLAN access

- Requirement: A WLAN is available and you have the necessary access data on hand.



Information on configuring WLAN access can be found in the documentation for your operating system.

Further information on WLAN and Bluetooth

For further information about WLAN or Bluetooth, please refer to the appendix of this Operating Manual.

For WLAN specifications, see chapter ["WLAN specifications", Page 95](#).

Access via 4G / LTE



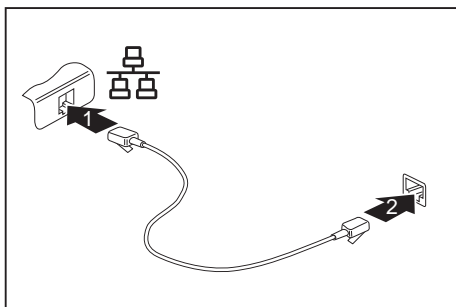
The embedded WWAN module option is not available for all products in all regions and requires network support as well as a separately purchased cellular radio contract.

Please contact your cellular radio network provider about network coverage and availability. Connection speeds vary according to location, surroundings, network connections and other factors.

You can find information on setting up an Internet connection with the 4G network in the hardware documentation (the Quick Start Guide).

Ethernet and LAN (optional, only with cradle, keyboard cover or adapter cable)

You can use the optionally available accessories to establish a connection to a local network (LAN = Local Area Network).



- ▶ Connect the network cable to the LAN port of the accessory (1).
- ▶ Connect the network cable to your network connection (2).



Your network administrator can help you to configure and use the LAN connections.

The network cable is not included in the delivery scope. This type of cable can be obtained from a specialist dealer.

Use a shielded network cable (CAT 5e).

Accessories for your Tablet PC (optional)

The following accessories are available for your Tablet PC:

- Folio cover
- Protective TPU cover with hand strap
- Shoulder strap and stand
- Keyboard cover
- Docking cradle
- Additional stylus
- Additional stylus tips

The following sections provide more information on handling the accessories.

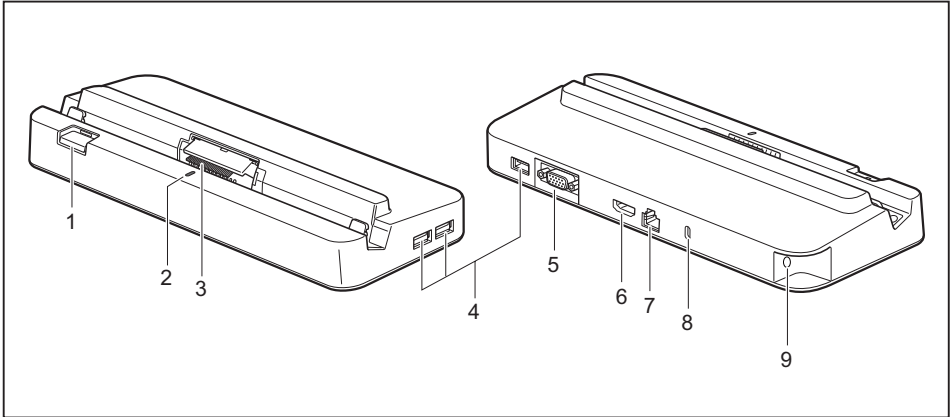
Your docking cradle (optional)

As well as fast charging, your cradle is a device that also allows you to quickly connect your Tablet PC to your peripherals, such as a display, keyboard, mouse etc. You only need to dock the Tablet PC to be able to work with your peripheral devices.



If the Tablet PC is connected to the cradle, connections at all the USB ports are only supported if the USB cable is up to 3m long.

Cradle components



- 1 = Dock release button
- 2 = Status LED
- 3 = Docking port
- 4 = USB port 3.1 Gen1 (Type A)
- 5 = VGA monitor port

- 6 = HDMI port
- 7 = LAN port
- 8 = Security Lock device
- 9 = DC jack socket (DC IN)



The status LED (2) of the cradle lights up as soon as the Tablet PC is connected to the cradle, even if the Tablet PC is switched off.

Setting up the cradle



Select a suitable location for the cradle before setting it up. In doing so, please follow these instructions:

- Place the cradle on a flat, stable, non-slippery surface.
- Never place the cradle or the AC adapter on a heat-sensitive surface.
- Do not expose the cradle to extreme environmental conditions.
- Protect the cradle from dust, moisture and heat.

Connecting the Tablet PC to the cradle



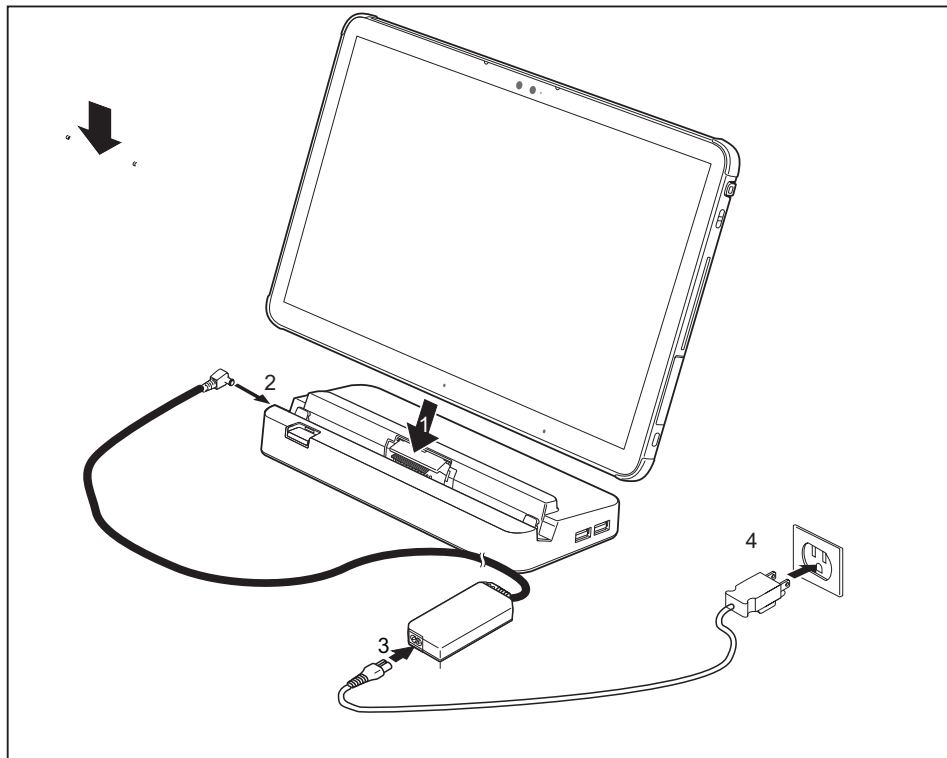
It is possible to connect the Tablet PC to the cradle while it is running.

Disconnect the AC adapter from the Tablet PC before connecting the Tablet PC to the cradle.



When the Tablet PC is connected to the cradle, you must connect the AC adapter to the cradle, to be able to use all the cradle's functions.

- ▶ Remove the AC plug of the AC adapter from the power outlet.
- ▶ Remove the AC adapter cable from the DC jack (DC IN) of the Tablet PC.

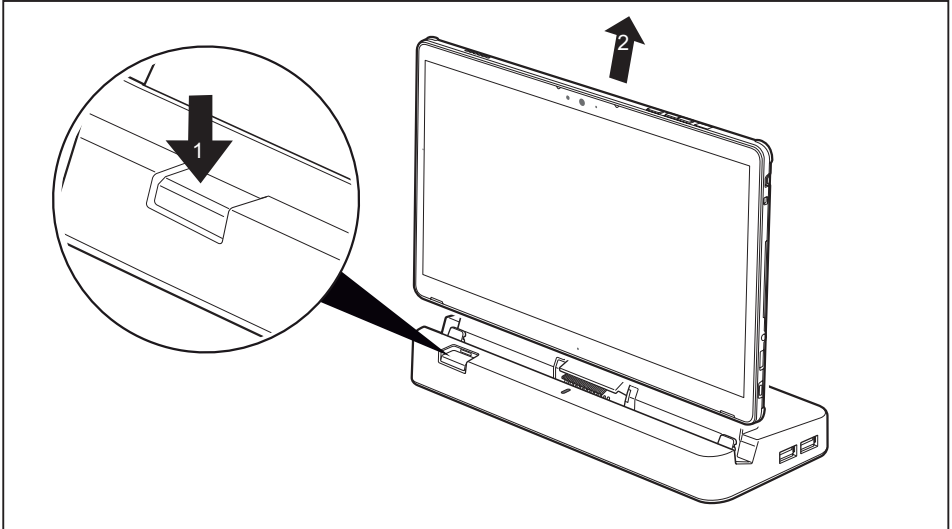


- ▶ Position the Tablet PC so that it lies against the storage surface of the cradle.
- ▶ Push the Tablet PC onto the cradle in the direction of the arrow (1) until you feel it engage on the connector and until the slide-out button returns to its original position.
- ▶ Plug the AC adapter cable into the DC jack (DC IN) on the cradle (2).
- ▶ Connect the AC cable to the AC adapter provided for the cradle (3), see chapter "[Technical data](#)", Page 93.
- ▶ Plug the AC cable into the power outlet (4).

Disconnecting the Tablet PC from the cradle



It is possible to separate the Tablet PC from the cradle while it is running.



- ▶ Press the slide-out button in the direction of the arrow (1) until it firmly remains in pressed position (red marking visible).
- ▶ While holding down the lower part of the cradle, lift the tablet PC from the cradle in the direction of the arrow (2).

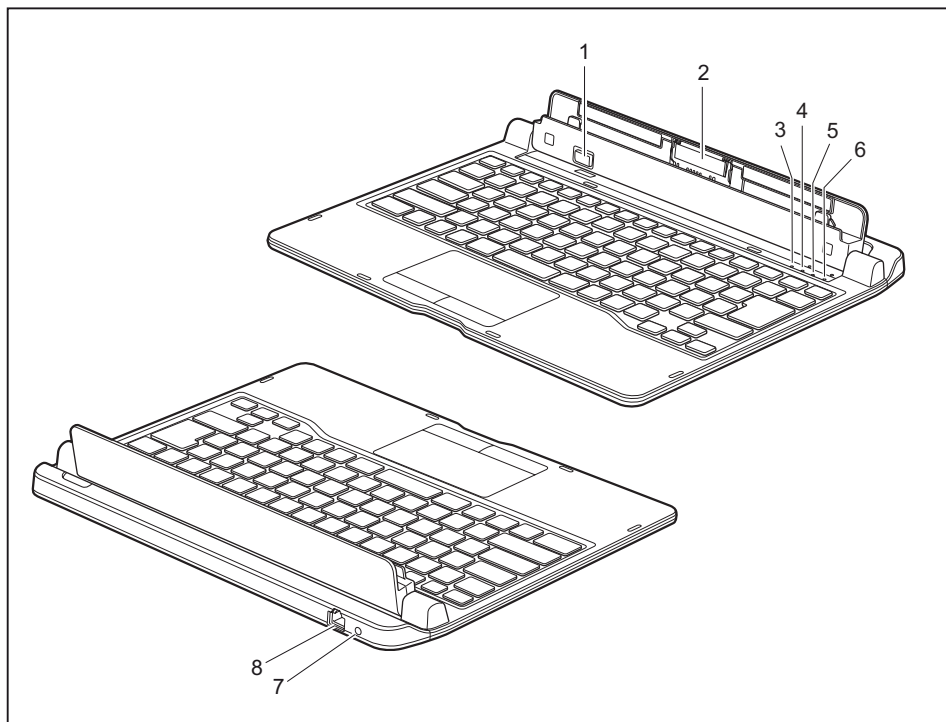
Keyboard cover (optional)

The keyboard cover is a device which has been optimized for convenient input of texts and which enables connection to the Ethernet/LAN. You simply need to dock the Tablet PC.



The keyboard cover does not have a replaceable battery.

Components of the keyboard cover



- 1 = Release button
- 2 = Docking port for the Tablet PC
- 3 = F Lock display (perform Fn functions by pressing the buttons directly)
- 4 = Num Lock indicator (to switch virtual numeric keypad on and off)

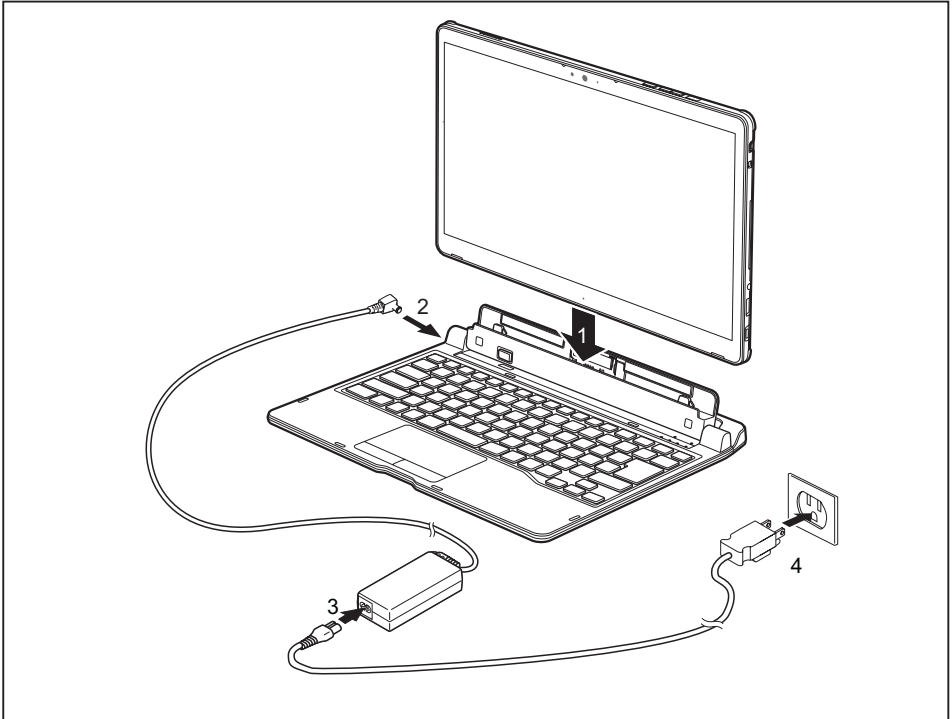
- 5 = Caps Lock indicator (to switch capitalization function on and off)
- 6 = Scroll Lock display (rolling, function is application-dependent)
- 7 = DC input connector (DC IN)
- 8 = LAN port

Connecting the Tablet PC to the keyboard cover



The recommended maximum opening angle of the Tablet PC and keyboard cover is 120 degrees. If the opening angle exceeds 120 degrees, we recommend that you hold the keyboard cover with your free hand when operating the Tablet PC with the stylus or touch. This will prevent the Tablet PC from accidentally falling backwards.

- ▶ Position the keyboard cover as shown.



- ▶ Push the Tablet PC onto the keyboard cover in the direction of the arrow (1) until you feel it engage with the plug.
- ▶ Connect the AC adapter cable to the DC input connector (DC IN) of the Tablet PC (2).
- ▶ Connect the AC cable to the AC adapter provided for the keyboard cover (3), see chapter "[Technical data](#)", [Page 93](#).
- ▶ Plug the AC cable into the power outlet (4).

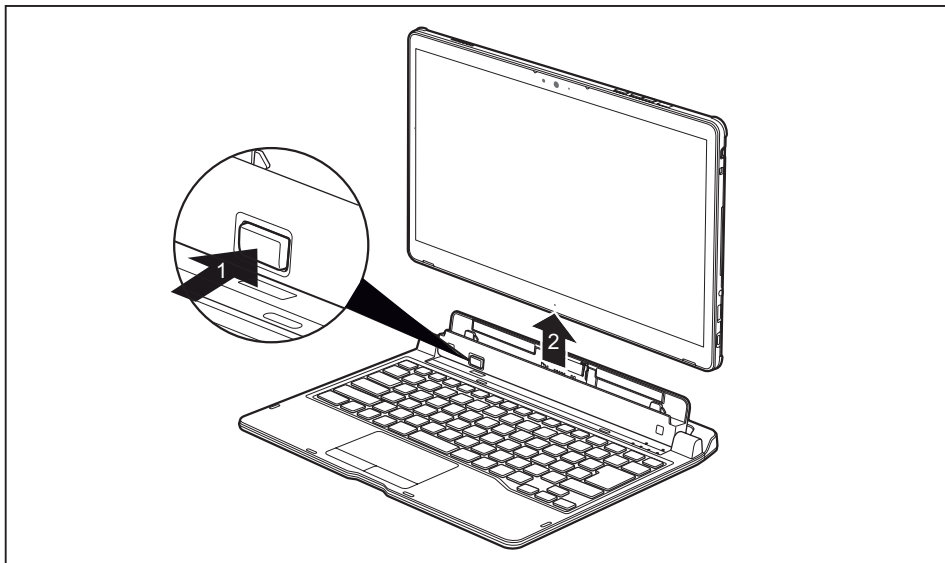


If the Tablet PC is connected to the keyboard cover, you can alternatively also connect the AC adapter to the Tablet PC instead of to the keyboard cover.

Separating the Tablet PC from the keyboard cover



It is possible to disconnect the Tablet PC from the keyboard cover while it is running. However, to prevent any problems, we recommend that you execute the appropriate undocking function provided by the operating system.



- ▶ Press the slide-out button down (1) until it remains in the pressed position (red marking visible).
- ▶ Lift the Tablet PC away from the keyboard cover in the direction of the arrow (2).

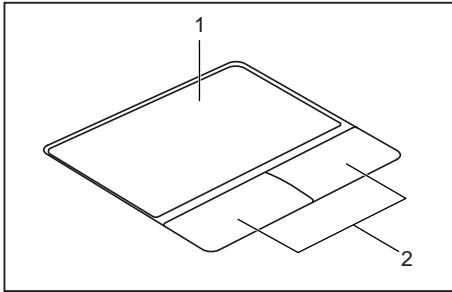
Touchpad and touchpad buttons



Keep the touchpad clean. Protect it from dirt, liquids and grease.

Never use the touchpad if your fingers are dirty.

Do not rest heavy objects (e.g. books) on the touchpad or the touchpad buttons.



1 = Touchpad

2 = Touchpad buttons

You can move the cursor using the touchpad.

The touchpad buttons allow you to select and execute commands. They correspond to the buttons on a conventional mouse.



You can also deactivate the touchpad via the keyboard, so that you cannot move the cursor unintentionally (see chapter ["Key combinations", Page 51](#)).

Moving the pointer

- ▶ Move your finger on the touchpad.
- ↳ The pointer will move.

Selecting an item

- ▶ Move the pointer to the item you wish to select.
- ▶ Tap the touchpad once or press the left button once.
- ↳ The item is selected.

Executing commands

- ▶ Move the pointer to the field you wish to select.
- ▶ Tap the touchpad twice or press the left button twice.
- ↳ The command is executed.

Dragging items

- ▶ Select the desired item.
- ▶ Press and hold the left button and, with your finger on the touchpad, drag the item to the desired position.
- ↳ The item will be moved.

Switching the Touchpad on and off



You can switch the touchpad on and off using the keyboard, see ["Key combinations", Page 51](#).

Keyboard



The keyboard of your notebook is subject to continuous wear through normal use. The key markings are especially prone to wear. The key markings are liable to wear away over the life of the notebook.

The keyboard has been designed to provide all the functions of an enhanced keyboard. Some enhanced keyboard functions are mapped with key combinations.

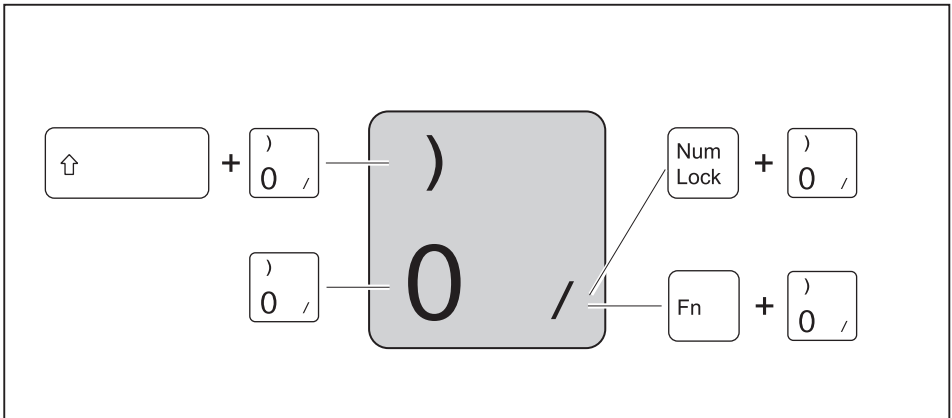
The following description of the keys applies to the Windows operating system. Additional functions supported by the keys are described in the relevant manuals supplied with your application programs.

The following illustration shows how to access the different characters on keys with overlaid functions. The example applies when the Caps Lock key has not been activated.




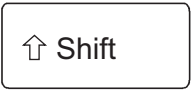
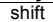

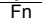



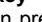


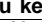


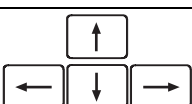


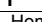
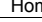


The illustration may differ from your device variant.

Depending on the region, your notebook comes with a monolingual keyboard layout (USA) or a bilingual keyboard layout (Canada).



| Key | Description |
|-----|--|
| | Backspace The key deletes the character to the left of the cursor. |
| | Tab key The moves the cursor to the next tab stop. |
| | Enter key (return) The terminates a command line. The command you have entered is executed when you press this key. |

| Key | Description |
|---|---|
|  Bilingual keyboard:  | <p>Caps Lock</p> <p>The  activates uppercase mode. The corresponding icon appears in the Windows notification area. In Caps Lock mode, all of the characters you type appear in upper case. In the case of overlay keys, the character printed on the upper left of the key will appear when that key is pressed. To cancel the Caps Lock function, simply press the Caps Lock key again.</p> |
|  | <p>Shift key</p> <p>The  causes uppercase characters to appear. In the case of overlay keys, the character printed on the upper left of the key will appear when that key is pressed.</p> |
|  | <p>Fn key</p> <p>The  key enables the special functions indicated on overlay keys.</p> |
|  | <p>Windows key</p> <p>The  switches between the start screen and the last used application.</p> |
|  | <p>Alt key</p> <p>When pressing the  key, special functions are activated when it is pressed in combination with other keys.</p> |
|  Bilingual keyboard:  | <p>Menu key</p> <p>The  opens the menu for the active application.</p> |
|  | <p>Ctrl key</p> <p>When pressing the  key, special functions are activated when it is pressed in combination with other keys.</p> |
|  | <p>Cursor keys</p> <p>The cursor keys move the cursor in the direction of the arrow, i.e. up, down, left, or right.</p> |
|  Bilingual keyboard:  | <p>Pos 1</p> <p>The  /  key moves the cursor to the beginning of the line, document page, cell, or screen, depending on where it is displayed.</p> |

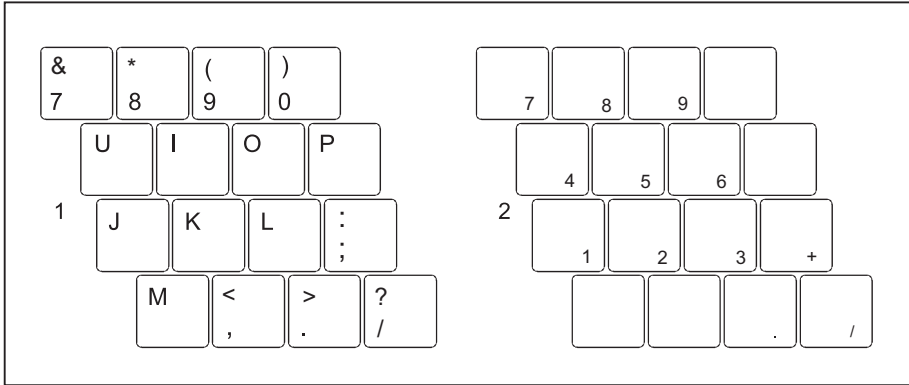
| Key | Description |
|---|--|
| <div data-bbox="98 193 208 268" style="border: 1px solid black; padding: 5px; width: fit-content; margin-bottom: 10px;">End</div> Bilingual keyboard: <div data-bbox="98 312 208 387" style="border: 1px solid black; padding: 5px; width: fit-content;">End/Fin</div> | <p>End key The End / End/Fin key moves the cursor to the end of the line, document page, cell, or screen, depending on where it is displayed.</p> |
| <div data-bbox="98 405 208 480" style="border: 1px solid black; padding: 5px; width: fit-content; margin-bottom: 10px;">Insert</div> Bilingual keyboard: <div data-bbox="98 525 208 600" style="border: 1px solid black; padding: 5px; width: fit-content;">Insert/Insér</div> | <p>Insert key With the Insert / Insert/Insér key, you change between two input modes:</p> <ol style="list-style-type: none"> 1. Typeover mode: when typing, you overwrite the character at the current cursor position. 2. Insert mode: when typing, another character is inserted at the current cursor position. All characters to the right of the cursor are moved one position further. |
| <div data-bbox="98 617 208 692" style="border: 1px solid black; padding: 5px; width: fit-content; margin-bottom: 10px;">Delete</div> Bilingual keyboard: <div data-bbox="98 737 208 812" style="border: 1px solid black; padding: 5px; width: fit-content;">Delete/Suppr</div> | <p>Delete key With the Delete / Delete/Suppr key, the character to the right of the cursor is deleted.</p> |

Virtual numeric keypad

To provide the convenience of a numeric keypad, your keyboard is equipped with a virtual numeric keypad. The special keys of the virtual numeric keypad are recognisable by the numbers and symbols printed in the upper right corner of each key. If you have switched on the virtual numeric keypad, you can output the characters shown on the upper right of the keys.



The keyboard layout shown below may differ from your actual device.



1 = Valid characters when the Num key is not activated

2 = Valid characters when the Num is activated









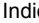
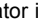
Further information about the status indicators can be found in chapter ["Status indicators", Page 21](#).

Country and keyboard settings

- Change the country and keyboard settings as described in the documentation for your operating system.

Status indicators

The status indicators provide information about the status of the keyboard functions etc.

| Status displays | Description |
|---|---|
|  | <p>F-Lock (function lock) indicator</p> <p>The indicator lights up: The key combination  +  (Fn: function key) has been pressed. The special functions of the Fn (function) keys (see section "Key combinations", Page 51) can be executed by pressing the keys directly, without having to press the  key.</p> |
|  | <p>Num Lock indicator</p> <p>Indicator is lit: The  key has been pressed. The virtual numerical keypad is activated. You can output the characters indicated on the upper right of the keys.</p> |
|  | <p>Caps Lock indicator</p> <p>Indicator is lit: The Caps Lock key has been pressed. All letters will be output as uppercase letters. In the case of keys labelled several times, the character printed on the upper left of the key will appear when that key is pressed.</p> |
|  | <p>Scroll Lock indicator</p> <p>Indicator is lit: The key combination  +  has been pressed. The effect that this key has varies between applications.</p> |

Key combinations

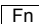

The following description of key combinations applies to Windows operating systems. Some of the following key combinations may not function in other operating systems or with certain device drivers.

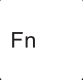

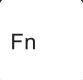

Other key combinations are described in the relevant manuals supplied with your application programs.







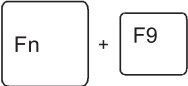


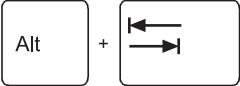
Key combinations are entered as follows:



- ▶ Press the first key in the combination and keep it pressed.
- ▶ While holding the first key down, press the other key or keys in the combination.



If the key combination  +  is pressed: The special functions of the Fn keys can be executed by pressing the keys directly without also having to press the Fn key.

| Combination | Description |
|---|--|
|  +  | <p>Switching the microphone on/off</p> <p>This key combination enables and disables the microphone.</p> |
|  +  | <p>Switching the loudspeakers on and off</p> <p>This key combination switches your Tablet PC's loudspeakers off and on.</p> |

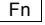
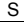
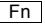
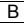
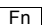
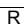
| Combination | Description |
|--|---|
|  | <p>Decrease volume This key combination reduces the volume of the internal loudspeakers.</p> |
|  | <p>Increase volume This key combination increases the volume of the internal loudspeakers.</p> |
|  | <p>Switching the wireless components on / off This key combination switches the wireless components off or on.</p> |
|  | <p>Switching the touchpad and touchpad buttons on/off This key combination switches the touchpad and the touchpad buttons on or off.</p> |
|  | <p>Decrease screen brightness This key combination decreases the brightness of the screen.</p> |
|  | <p>Increase screen brightness This key combination increases the brightness of the screen.</p> |
|  | <p>Energy saving functions Use this key combination to activate the power management functions (see chapter "Using the power-saving functions", Page 32).</p> |
|  | <p>Toggle output screen Use this key combination to select which screen(s) is/are used for display if an external monitor is connected. Screen output is possible:</p> <ul style="list-style-type: none"> • just the Tablet PC's LCD screen • both the Tablet PC's LCD screen and the external monitor • only on the external monitor <p>This setting is useful if you would like a high resolution and a high refresh rate on an external monitor.</p> |
|  | <p>Activate/deactivate keyboard backlight On backlit keyboards, this key combination activates or deactivates the backlight.</p> |
|  | <p>Switch between open applications Use this key combination to switch between several open applications.</p> |

| Combination | Description |
|--|--|
|  | <p>Windows security/Task-Manager This key combination opens the Windows security/Task-Manager window.</p> |
|  | <p>Back tab This key combination moves the cursor back to the previous tab stop.</p> |



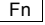
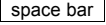
Key combinations using the Windows keys are detailed in the manual for your operating system.

In addition, the following non-labelled key combinations are supported:

-  +  = Pause
-  +  = Break
-  +  = SysRq

Keyboard with backlight



On this version of the keyboard, repeated pressing of the key combination  +  allows the background lighting to be switched on and off and also a choice to be made between two levels of brightness.

In battery mode, it is recommended to turn on the backlight only when needed and to use the lower brightness level to maximize battery life.

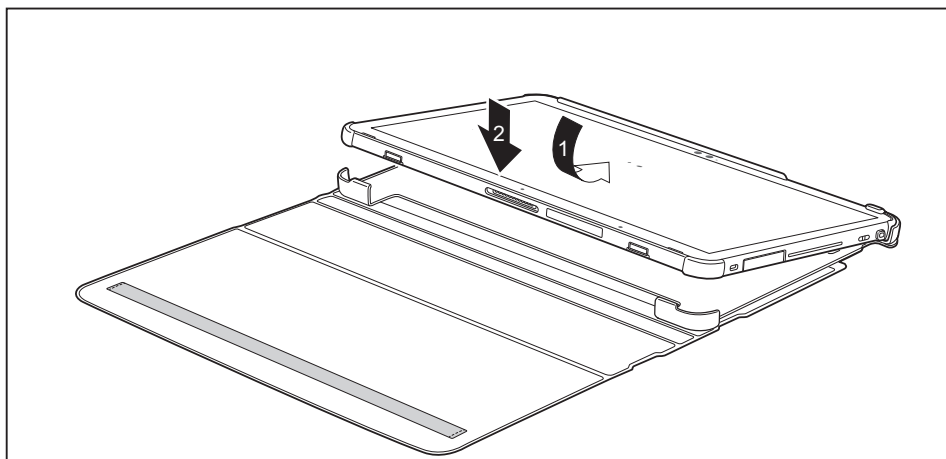
Folio cover (optional)



If you are using the folio cover, we do not recommend connecting the Tablet PC to the keyboard cover. Please note that the device and the docking station cannot be folded together in clamshell mode if the Tablet PC is secured inside the keyboard cover.

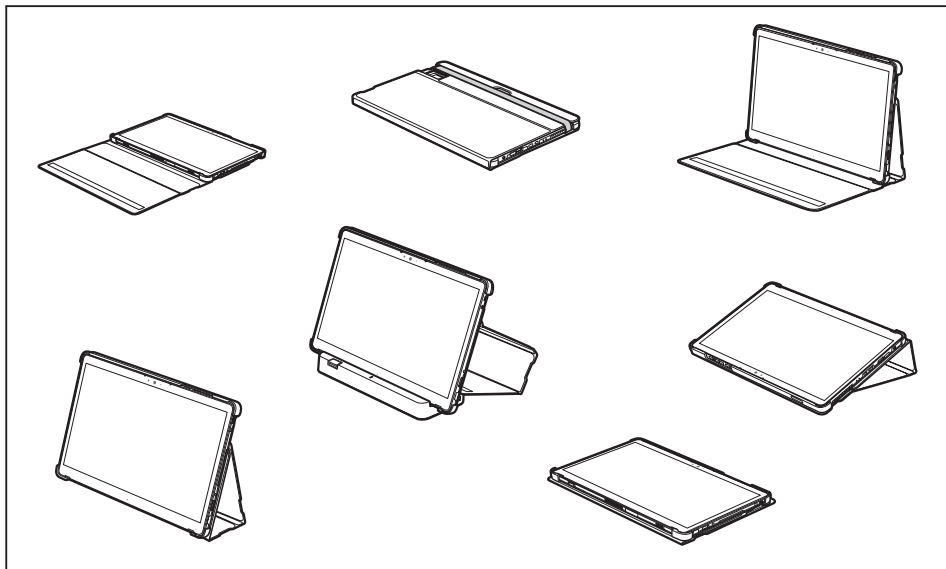


- This folio cover contains magnets. Keep it away from objects that may be affected by the influence of magnetism, e.g. pacemakers and magnetic cards.
- Make sure the device is firmly fitted in the fasteners of the folio cover so it will not fall out.
- This folio cover is only designed to safely store and carry this device. Do not use the folio cover for any other purposes.
- Keep the folio cover away from fire or heaters.
- Do not expose the folio cover to direct sunlight, high temperatures or humidity.



- ▶ Position the Tablet PC on the folio cover as shown (1).
- ▶ Insert the Tablet PC into the folio cover (2).

The following illustration shows you the many ways in which the folio cover can be used:

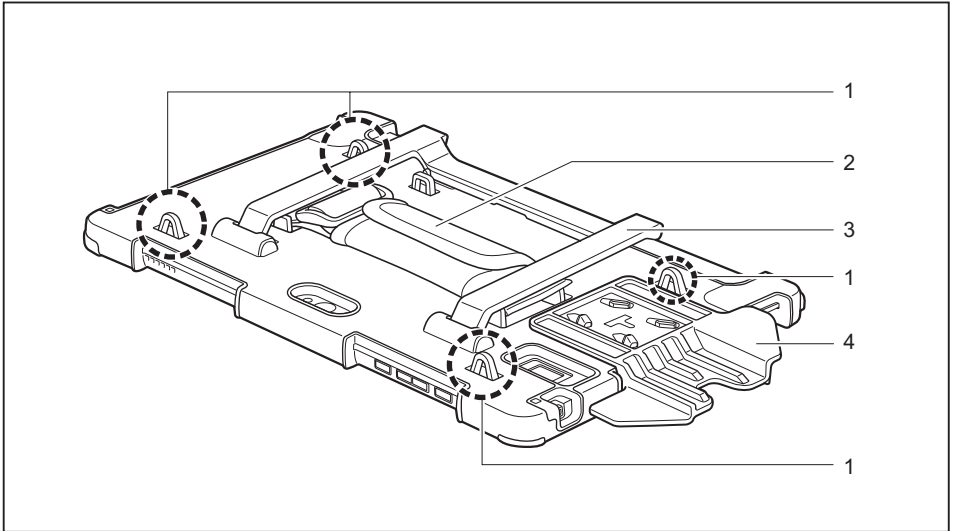


Protective TPU cover

Components of the protective TPU cover

The delivery scope of the protective TPU cover kit comprises:

- Protective TPU cover
- Fall prevention stopper
- Smart Card guide
- Stand spacer (2 pieces)
- Shoulder strap
- Hand strap



1 = Strap mounting hole (attach both ends of the shoulder strap before use)

2 = Hand strap

3 = Stand

4 = Smart Card guide

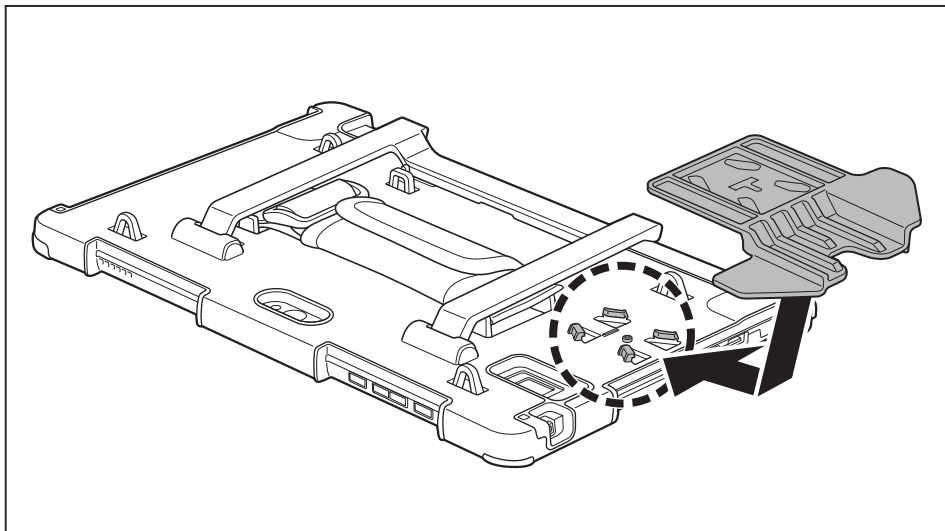
Safety notes

- If the Tablet PC is not tightly fitted into the protective TPU cover, the Tablet PC itself may come off during use.
- Firmly hold the Tablet PC itself, even if the protective TPU cover is attached to it. The protective TPU cover may come off if you only hold the edges of the protective TPU cover.
- Keep the protective TPU cover away from fire and heaters.
- Do not place the protective TPU cover in direct sunlight or expose it to high temperatures or humidity.
- Store the protective TPU cover in a place which is free from dust or chemicals and is cool, dry and ventilated.
- Keep the protective TPU cover out of the reach of children.
- Do not place the protective TPU cover on resin material products (synthetic leather sofa, resin sheet, etc.). Color may get transferred to the cover through contact for a long period of time or vigorous rubbing against the resin product.
- The color of the protective TPU cover may change with time due to material's characteristics.
- Careful consideration is given to the texture in processing, so some color fading may be observed or it may become dirty or stained due to water spillages. Thank you for your understanding.
- Please discontinue use of the protective TPU cover if you find cracks, breakage, fraying, tearing, deformation, deterioration, etc.
- The protective TPU cover is a cover for storing and carrying the Tablet PC. Do not use it for any other purpose.
- The protective TPU cover does not protect the Tablet PC or Smart Card from impacts or shocks.
- The protective TPU cover does not guarantee scratch prevention on the Tablet PC.
- Do not allow alcohol or other chemicals to come into contact with the protective TPU cover.
- Wipe the protective TPU cover with a soft, non-abrasive cloth only.
- The material may smell when you open the packaging. However, the odor will go away with time.
- If you attach a protective film, etc. to the display screen, the film may peel off during use.
- Re-tighten the hand strap if it loosens.
- Do not swing the protective TPU cover around by the hand strap. The hand strap may come off.
- Do not apply excessive force to the protective TPU cover when the stand is extended.
- Do not carry the protective TPU cover and the Tablet PC it is encased around by the stand on the cover.
- Do not carry the protective TPU cover and the Tablet PC it is encased around by the Smart Card guide on the cover.
- Do not wash the protective TPU cover. If it gets dirty, remove the protective TPU cover from the Tablet PC, dampen a cloth with water, squeeze it well, wipe off the dirt using the cloth and then wipe with a dry cloth.
- Do not use solvents such as benzene, thinner, alcohol, household detergents, or chemically treated cloths, as they may affect the quality or discolor the product.
- If the protective TPU cover gets wet, wipe off the moisture with a dry cloth and keep it in a shaded area until completely dry.

Secure the Smart Card guide



Before using a Smart Card, secure the Smart Card guide on the protective TPU cover.



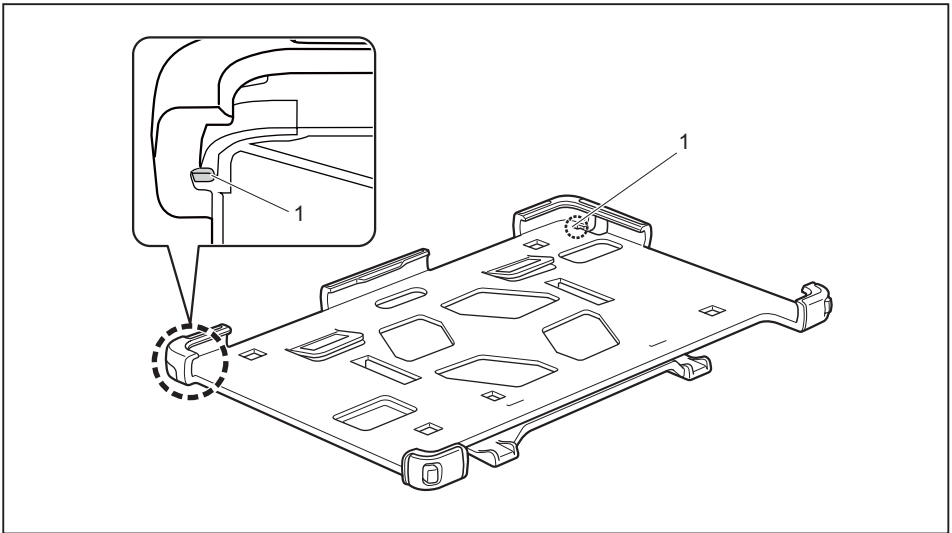
- ▶ Insert the claw on the rear side of the protective TPU cover in the Smart Card guide opening and move the Smart Card guide in the direction of the arrow.

Insert the Tablet PC in the protective TPU cover

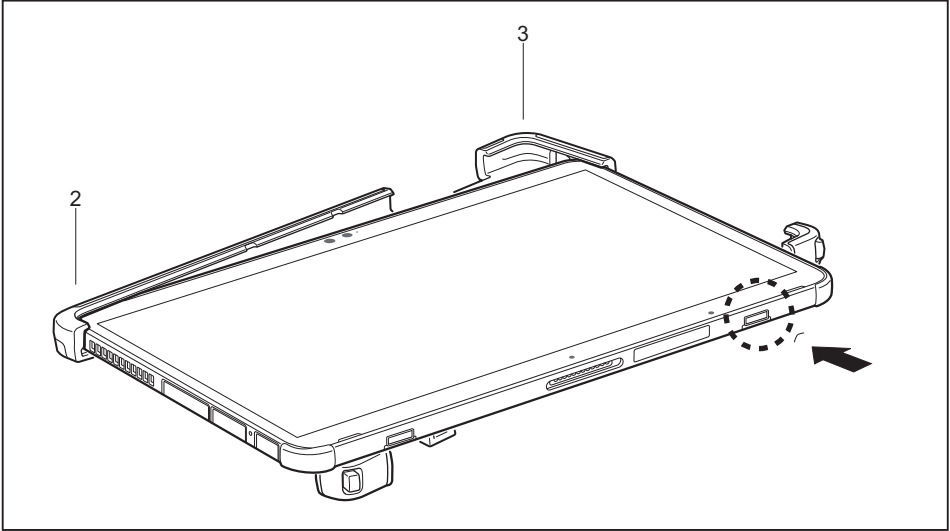
- ▶ Remove the AC plug of the AC adapter from the power outlet.
- ▶ Switch the Tablet PC off.
- ▶ If the stylus tether is attached to the Tablet PC, remove it and the stylus from the Tablet PC.



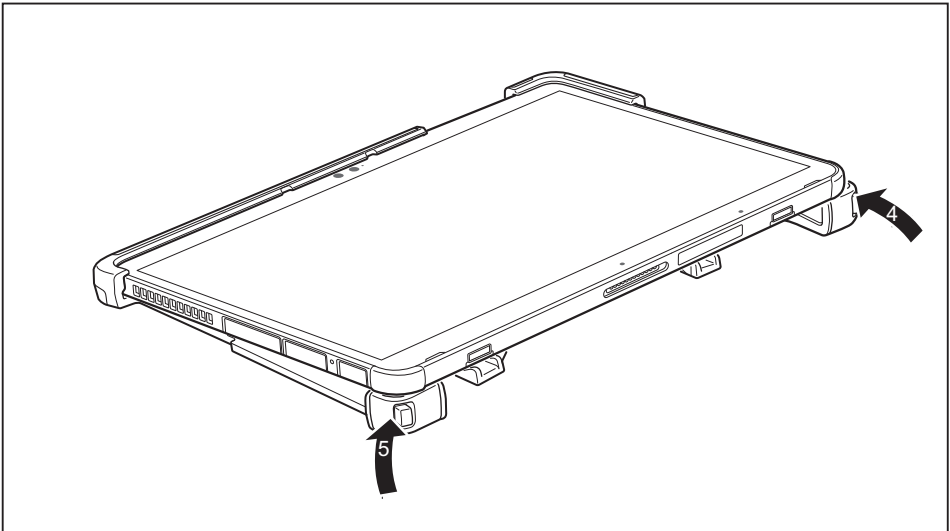
First attach the stylus tether to the protective TPU cover and then insert the Tablet PC in the protective TPU cover.



- ▶ Secure the stylus tether in one of the openings on the protective TPU cover (1).



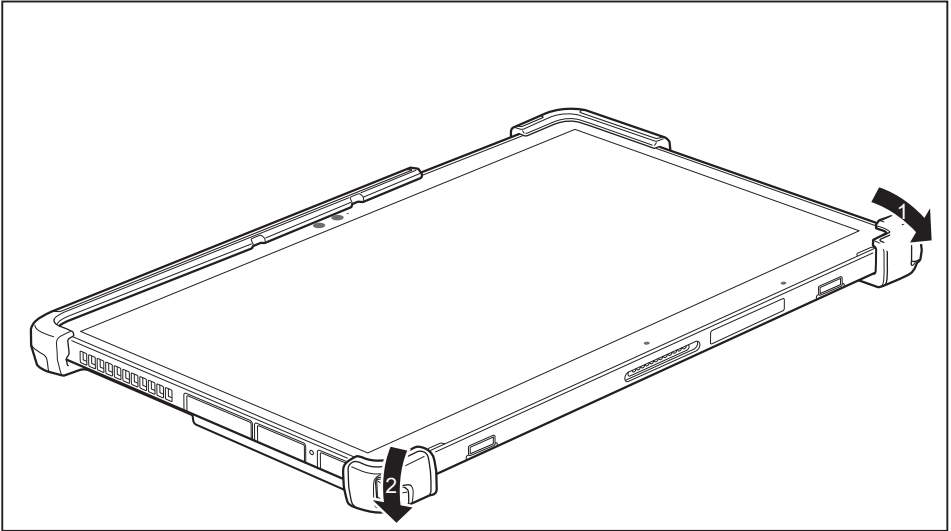
- ▶ Insert the top left corner of the Tablet PC into the top left corner (2) of the protective TPU cover, move the Tablet PC in the direction of the arrow and insert it into the top right corner (3) of the protective TPU cover.



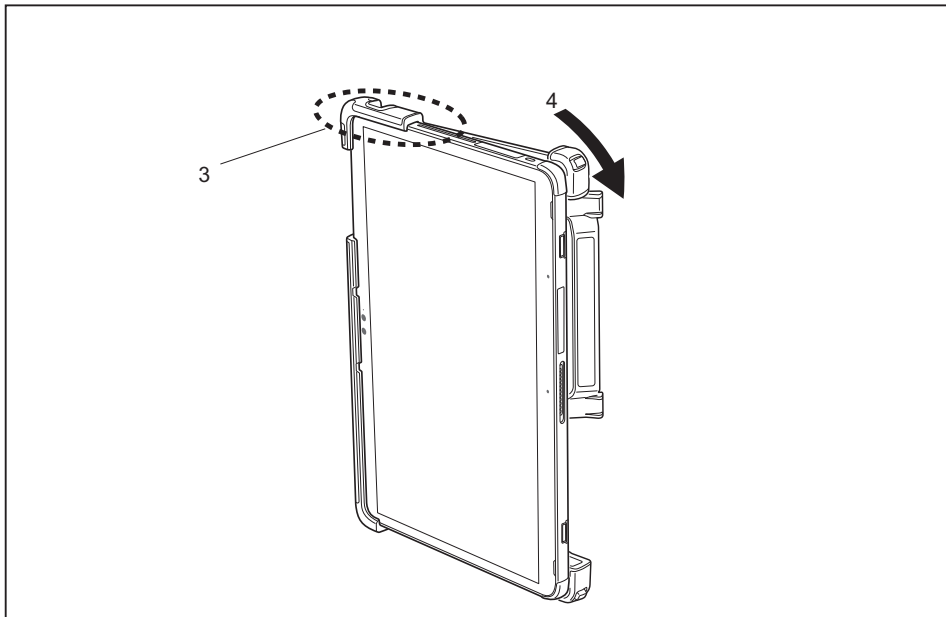
- ▶ Insert the underside of the Tablet PC into the protective TPU cover: Insert it first into the lower right corner (4), then into the lower left corner (5). Check that the Tablet PC is securely fixed in place.

Remove the Tablet PC from the protective TPU cover.

- ▶ Remove the AC plug of the AC adapter from the power outlet.
- ▶ Switch the Tablet PC off.



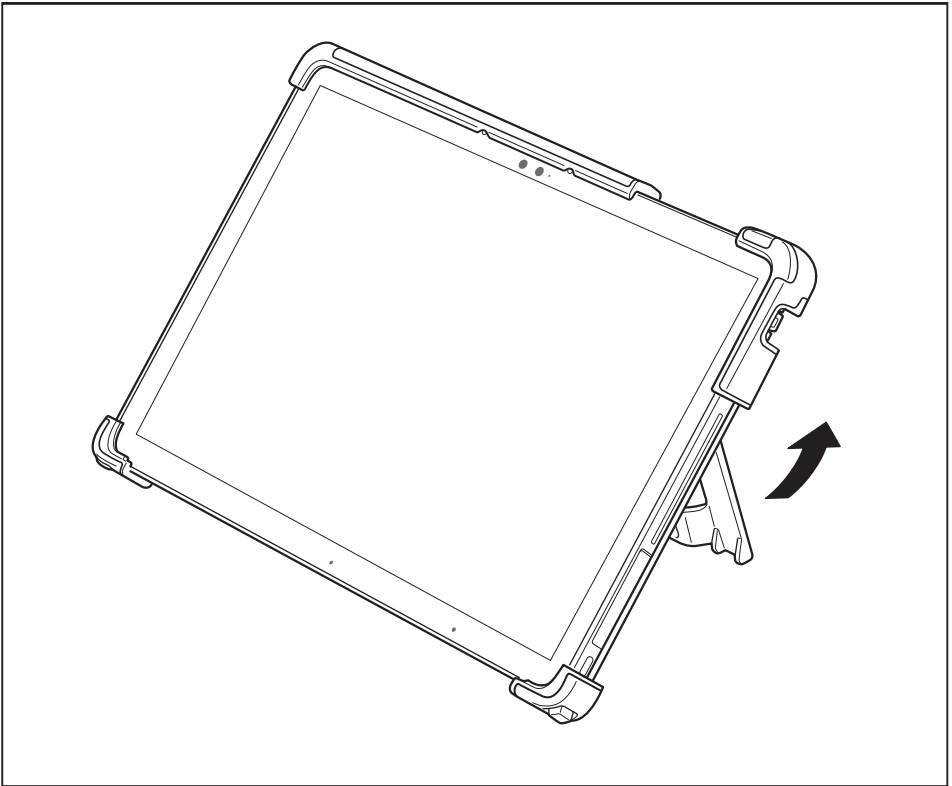
- ▶ Remove the Tablet PC from the underside of the protective TPU cover: Remove it first from the bottom right corner (1), then from the bottom left corner (2).



- ▶ Hold the Tablet PC and protective TPU cover vertically, hold the top left side (3) of the protective TPU cover securely and move the top right side of the Tablet PC in the direction of the arrow (4).

Using the stand

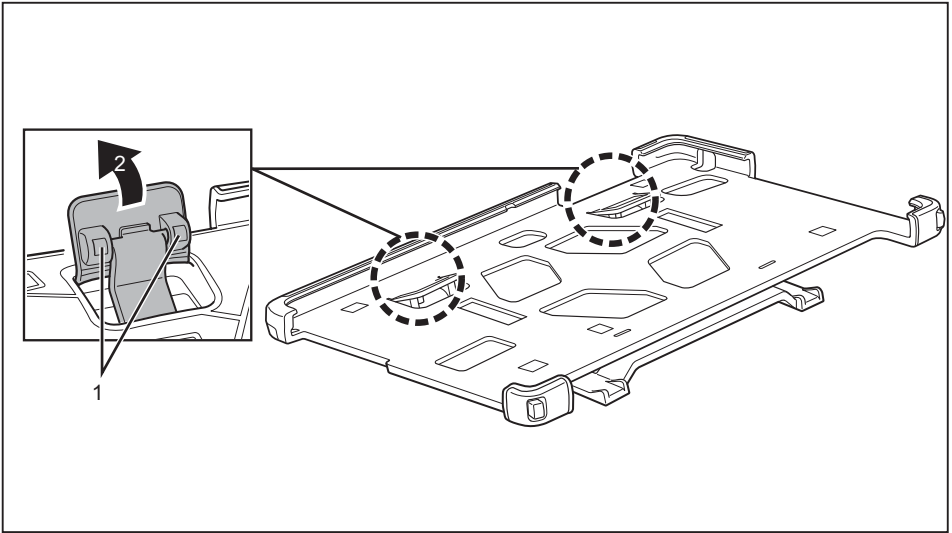
You can support your Tablet PC in an upright position by using the stand of the protective TPU cover.



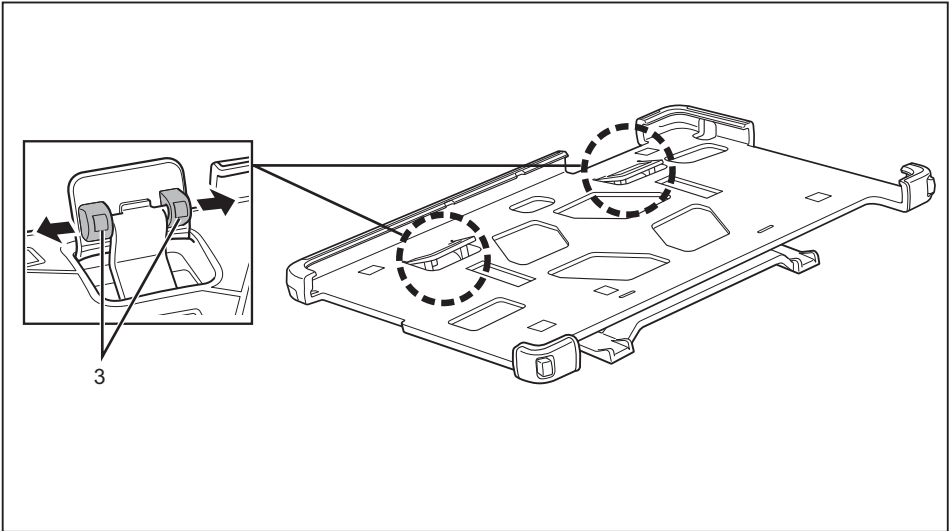
- ▶ Move the stand in the direction of the arrow and place the protective TPU cover in a vertical position.

Removing the stand

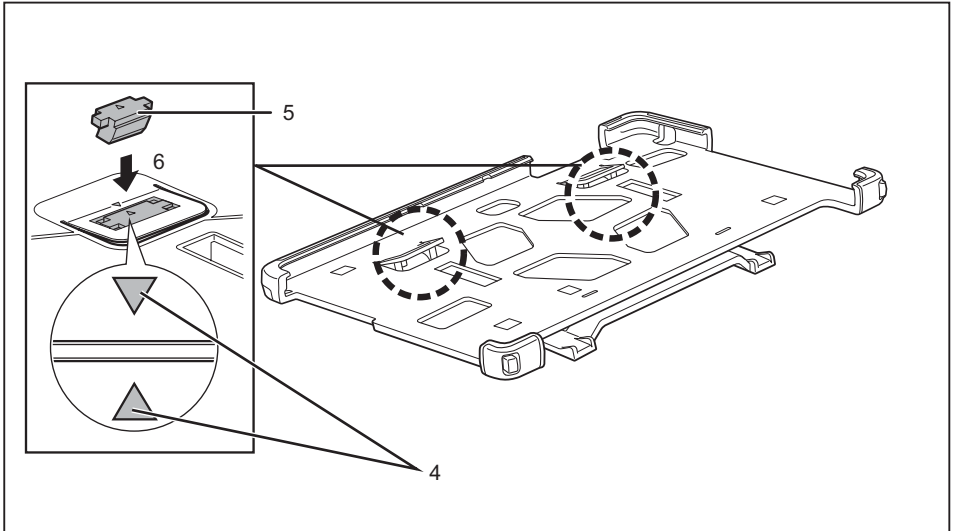
You can remove the stand if you do not need it.



- ▶ Press the back of the stand until the stand's connecting elements (1) on the back of the protective TPU cover become visible.



- ▶ Press the stand's connecting elements (3) in the direction of the arrow and remove the stand.



- ▶ Use the alignment markings (4) as reference points and secure the stand spacers (5) in the cavity (6).

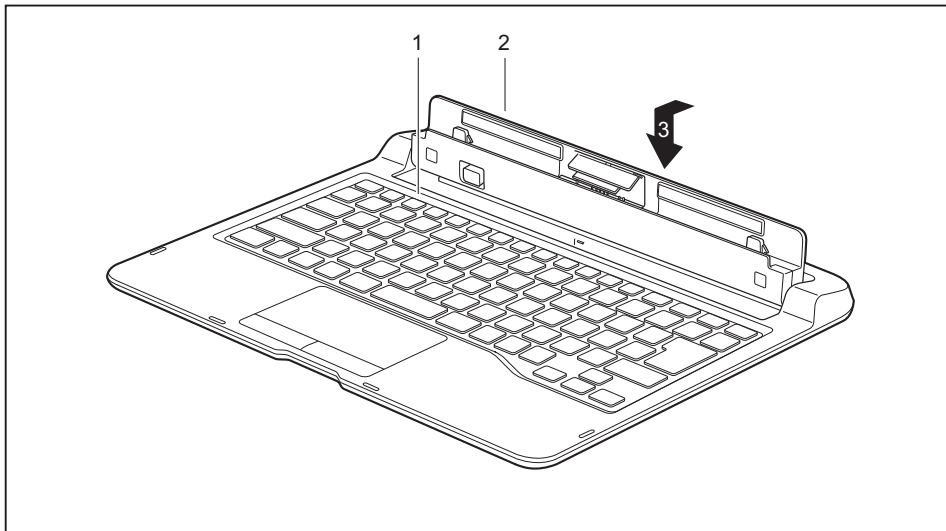
Connecting the Tablet PC/protective TPU cover to the keyboard cover

You can connect the Tablet PC to the keyboard cover if it is in the protective TPU cover.

The fall prevention stopper of the protective TPU cover will prevent the devices falling over if the Tablet PC/protective TPU cover are connected to the keyboard cover.

Proceed as follows to secure the fall prevention stopper:

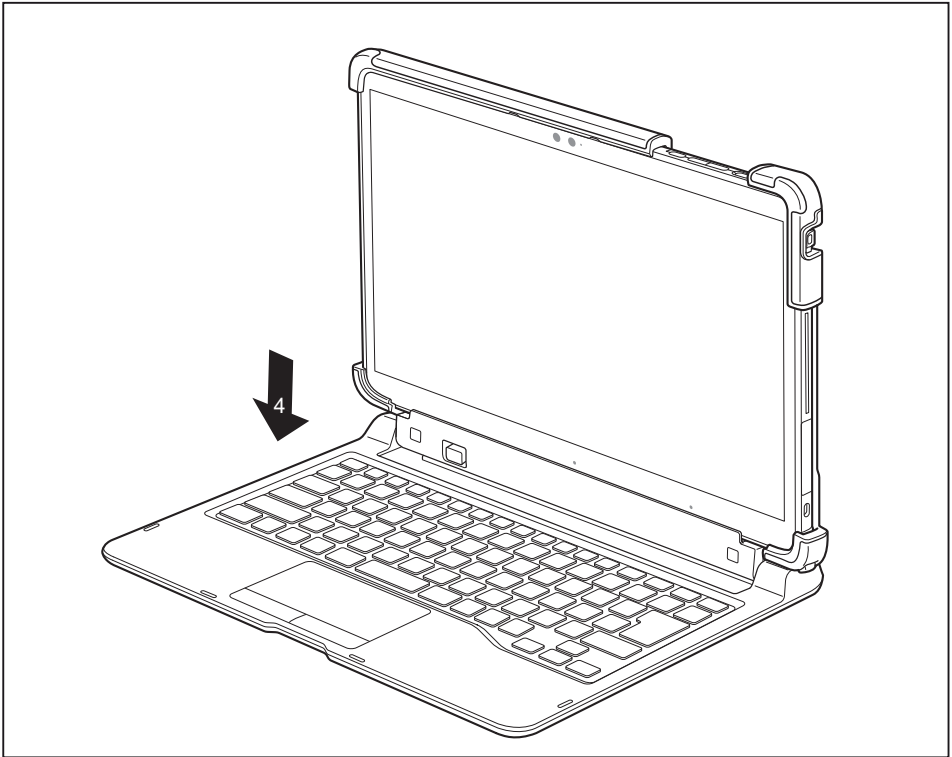
- ▶ Peel off the backing paper from the double-sided tape on the back of the fall prevention stopper.



- ▶ Carefully align the fall prevention stopper (2) and fasten it in the direction of the arrow (3) in the support recess (1). Press it firmly to secure it in place.



After attaching the fall prevention stopper, do not apply any pressure to the fall prevention stopper for one day to ensure its maximum adhesion.



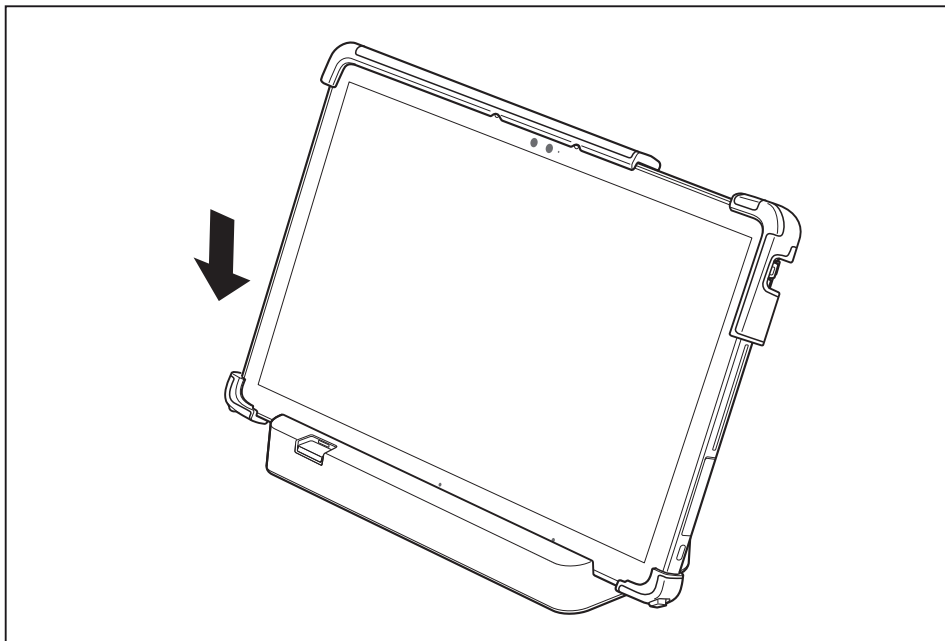
- ▶ Press the Tablet PC/protective TPU cover in the direction of the arrow (4) onto the keyboard cover.



The Tablet PC cannot be completely closed. If you try to close the Tablet PC completely, you could damage it.

Do not connect the Tablet PC to the keyboard cover and carry both of them at the same time if the Tablet PC is in the protective TPU cover. If you do, the keyboard cover and/or the Tablet PC could be damaged.

Connecting the Tablet PC/protective TPU cover to the cradle



- ▶ Press the Tablet PC/protective TPU cover in the direction of the arrow onto the cradle.

Security functions

Your Tablet PC has several security features that you can use to secure your system and your personal data from unauthorized access.

This chapter explains how to use these functions, and what the benefits are.



Please remember that in some cases, for example, forgetting your password, you may be locked out of the system and unable to access your data. Therefore, please note the following information:

- Back up your data on external data carriers at regular intervals.
- Some security functions need you to choose passwords. Make a note of the passwords and keep them in a safe place.

If you forget your passwords you will need to contact our Service Desk. Deletion or resetting of passwords are not covered by your warranty and a charge will be made for assistance.



In the BIOS setup utility menu *Security*, if you alter the *Password Severity* setting from its delivery status of *Strong* to *Stringent*, the Fujitsu Service Desk will no longer be able to reset the password. The system may then remain unusable indefinitely.

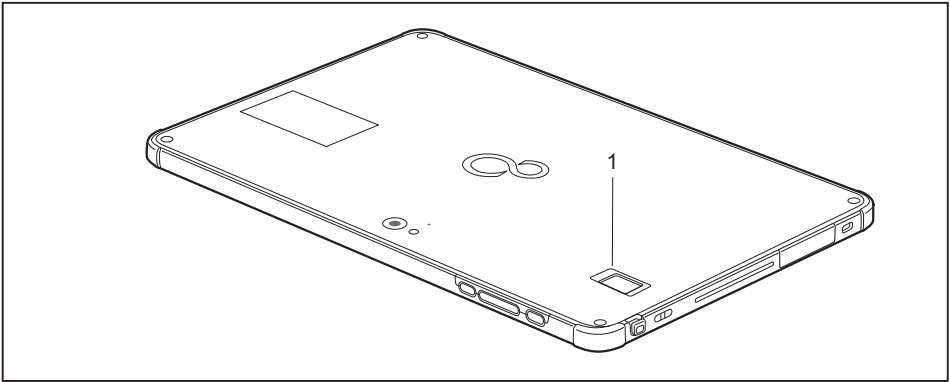
Fujitsu therefore recommends always setting up a Supervisor password with the setting of *Password Severity* = *Strong*.

Configuring the fingerprint sensor (configuration dependent)



Whether your device has a fingerprint sensor or not depends on the device configuration which you ordered.

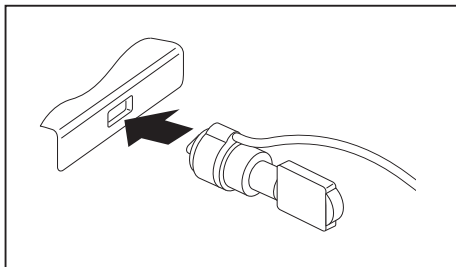
The fingerprint sensor can record the image of a fingerprint. With additional fingerprint software, this image can be processed and used instead of a password.



- ▶ Install the fingerprint software to be able to use the fingerprint sensor (1).

Using the Security Lock

Your device comes with a Security Lock device for the Kensington Lock Cable. With the Kensington Lock Cable, a sturdy steel cable, you can protect your device and the port replicator against theft. The Kensington Lock Cable is available as an accessory.



- Fit the Kensington Lock Cable to the corresponding mechanism on your device.



Attach another Kensington Lock Cable to your cradle to protect this from theft as well.

Configuring password protection in BIOS Setup Utility



Before using the various options for password protection in the *BIOS Setup Utility*, please proceed as follows to increase data security:

Make a note of the passwords and keep them in a safe place. If you forget your supervisor password you will not be able to access your Tablet PC. Passwords are not covered by your warranty and a charge will be made for assistance.



Your password can be up to 32 characters long and can contain letters, numbers and special characters.

When using special characters, please note that these are dependent on the country-specific variant of the keyboard used.



In the BIOS setup utility menu *Security*, if you alter the *Password Severity* setting from its delivery status of *Strong* to *Stringent*, the Fujitsu Service Desk will no longer be able to reset the password. The system may then remain unusable indefinitely.

Fujitsu therefore recommends always setting up a Supervisor password with the setting of *Password Severity* = *Strong*.

Protecting BIOS Setup Utility (supervisor password and user password)



If you have opened these operating instructions on the screen, we recommend that you print them out. You cannot call up the instructions on the screen while you are setting up the password.

The supervisor password and the user password both prevent unauthorized use of the *BIOS Setup Utility*. The supervisor password allows you to access all of the functions of the *BIOS Setup Utility*, while the user password will only give you access to some of the functions. You can only set up a user password if a supervisor password has already been assigned.



Calling and using the *BIOS Setup Utility* is described in the chapter ["Settings in BIOS Setup Utility", Page 82](#).

Assigning the supervisor and user passwords

- ▶ Start the *BIOS Setup Utility* and go to the *Security* menu.
- ▶ Select the *Set Supervisor Password* field and press the Enter key.
- ↳ With *Enter new Password*: you are asked to enter a password.
- ▶ Enter the password and press the Enter key.
- ↳ *Confirm new Password* requires you to confirm the password.
- ▶ Enter the password again and press the Enter key.
- ↳ *Changes have been saved* is displayed as a confirmation that the new password has been saved.
- ▶ To set the user password, select *Set User Password* and proceed exactly as when configuring the supervisor password.
- ↳ If you do not want to change any other settings, you can exit *BIOS Setup Utility*.
- ▶ In the *Exit* menu, select the option *Save Changes & Exit*.
- ▶ Select *Yes* and press the Enter key.
- ↳ The Tablet PC is rebooted and the new password is effective. It will now be necessary to first enter your supervisor or user password in order to open the *BIOS Setup Utility*. Please note that the user password only provides access to a few of the BIOS settings.

Changing the supervisor password or user password

You can only change the supervisor password when you have logged into the *BIOS Setup Utility* with the supervisor password.

- ▶ Start the *BIOS Setup Utility* and go to the *Security* menu.
- ▶ When changing the password, proceed exactly as when assigning a password.

Removing passwords

To remove a password (without setting a new password) perform the following steps:

- ▶ Start the *BIOS Setup Utility* and go to the *Security* menu.
- ▶ Highlight the *Set Supervisor Password* or *Set User Password* field and press the Enter key.
- ↳ You will be requested to enter the current password by the *Enter Current Password* prompt. *Enter New Password* will appear and you will be requested to enter a new password.
- ▶ Press the Enter key twice at this request.
- ▶ In the *Exit* menu, select the option *Save Changes & Exit*.
- ▶ Select *Yes* and press the Enter key.
- ↳ The Tablet PC is rebooted and the password is removed.
Removing the supervisor password simultaneously deactivates the user password.

Password protection for booting the operating system



With the supervisor password you have set in the *BIOS Setup Utility* (see section ["Assigning the supervisor and user passwords", Page 72](#)), you can also prevent booting of the operating system.

Activating system protection

- ▶ Start the *BIOS Setup Utility* and go to the *Security* menu.
- ▶ Select the *Password on Boot* option and press the Enter key.
- ▶ Select the option you require (*First Boot* or *Every Boot*) and press the enter key
- ▶ Select the *Save Changes & Exit* option under *Exit*.
- ↳ The Tablet PC reboots. You will be prompted to enter your password (the supervisor password).

Deactivating system protection

- ▶ Start the *BIOS Setup Utility* and go to the *Security* menu.
- ▶ Select the *Password on Boot* option and press the Enter key.
- ▶ Select the *Disabled* option and press the Enter key.
- ↳ If you do not want to change any other settings, you can exit *BIOS Setup Utility*.
- ▶ Select the *Save Changes & Exit* option under *Exit*.
- ↳ The Tablet PC reboots. The system is no longer password-protected.

Password protection for the hard disk



The hard disk password prevents unauthorized access to the hard disk drives and is checked internally each time the system is booted. The condition for this is that you have assigned at least the supervisor password.

Activating hard disk protection

- ▶ Call up the *BIOS Setup* and select the *Security* menu.
- ↳ If you have not assigned BIOS passwords yet, define the supervisor and the user password now, if desired (see ["Security functions", Page 69](#)).
- ▶ Mark the *Hard Disk Security* field and press the Enter key.
- ▶ In the area *Drive0*, mark the field *Set Master Password* and press the Enter key.
- ↳ *Enter new Password* then appears and you are asked to enter a password.
- ▶ Enter the password and press the Enter key.
- ↳ *Confirm new Password* requires you to confirm the password.
- ▶ Enter the password again and press the Enter key.
- ↳ With *Setup Notice: Changes have been saved* you receive confirmation that the new password has been saved.
The field *Password Entry on Boot* is set to *Enabled* by default. You can exit the *BIOS Setup* once you have finished changing the settings.
- ▶ From the *Exit* menu, choose the option *Exit Saving Changes*.
- ▶ Press the Enter key and select *Yes*.
- ↳ The Tablet PC reboots and your hard disk is now protected with a password. The password prompt is enabled as soon as the Tablet PC has rebooted.

Deactivating hard disk protection

To cancel a password (without setting a new password) proceed as follows:

- ▶ Call up the *BIOS Setup* and select the *Security* menu.
- ▶ Mark the *Hard Disk Security* field and press the Enter key.
- ▶ In the area *Drive0*, mark the field *Set Master Password* and press the Enter key.
- ↳ With the prompt *Enter current Password* you are first asked to enter the old password again. With *Enter new Password* you are then prompted to enter a new password.
- ▶ After the request, press the Enter key three times.
- ▶ From the *Exit* menu, choose the option *Exit Saving Changes*.
- ▶ Press the Enter key and select *Yes*.
- ↳ The Tablet PC reboots and there is no longer any password protection for this hard disk.

Smart Card reader (configuration-dependent)



Your device may be fitted with a SmartCard reader depending on your chosen model (only available in models with screw holes and SmartCard reader).

SmartCards are not supplied as standard equipment. You can use all SmartCards that comply with the ISO standard 7816-1, -2 or -3. These SmartCards are available from various manufacturers.

With the appropriate software you can use your SmartCard as an alternative to password protection, but also as a digital signature, for encrypting your e-mails or for home banking.

We recommend that you always use two SmartCards. Always keep one of the SmartCards in a safe place if you are carrying the other SmartCard with you.

Inserting the SmartCard

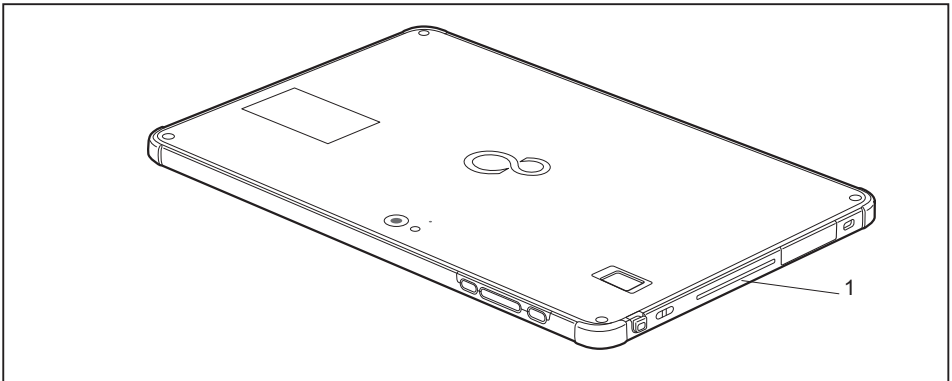


Your device may be fitted with a Smart Card reader, depending on your chosen model (only available in models with screw holes and Smart Card reader).



Do not use force when inserting and removing the SmartCard.

Make sure that foreign objects do not fall into the SmartCard reader.



- ▶ Slide the Smart Card into the Smart Card reader (1) with the chip facing the front of the Tablet PC.

Trusted Platform Module - TPM (configuration dependent)

To use the TPM, you must enable the TPM in the *BIOS Setup* **before the software is installed**. The requirement for this is that you have assigned at least the supervisor password (see ["Security functions", Page 69](#)).

Enabling TPM

- Requirement: You have assigned a supervisor password (see ["Security functions", Page 69](#)).
- ▶ Call BIOS Setup and select the *Security* menu.
- ▶ Mark the *TPM Security Chip Setting* field and press the Enter key.
- ▶ Select the entry *Enabled* to enable the TPM
- ↳ Once you have enabled the TPM the *Clear Security Chip* menu item appears.
You can clear the holder in the TPM using *Clear Security Chip*. With *Enabled*, all secret keys (e.g. SRK - Storage Root Keys, AIK - Attestation Identity Keys etc.) generated by applications are deleted.

Take note that you can then no longer access the data you have encrypted on the holder-based keys!
- ▶ From the *Exit* menu, choose the option *Exit Saving Changes*.
- ▶ Press the Enter key and select *Yes*.
- ↳ The Tablet PC restarts and the TPM is enabled after the reboot.

Disabling TPM

- Requirement: You have assigned a supervisor password (see ["Security functions", Page 69](#)).
- ▶ Call BIOS Setup and select the *Security* menu.
- ▶ Mark the *TPM Security Chip Setting* field and press the Enter key.
- ▶ Select the entry *Disabled* to disable the TPM.
- ▶ From the *Exit* menu, choose the option *Exit Saving Changes*.
- ▶ Press the Enter key and select *Yes*.
- ↳ The Tablet PC restarts and the TPM is disabled.

Connecting external devices



Under all circumstances, please observe the safety notes provided in the ["Important notes", Page 13](#) chapter before connecting or disconnecting any devices to or from your Tablet PC.

Always read the documentation supplied with the device you wish to connect.

Never connect or disconnect cables during a thunderstorm.

Never pull at a cable when disconnecting it. Always grasp the plug.



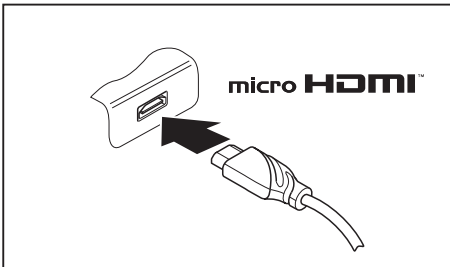
With some devices, such as USB devices, it is not necessary to switch off the Tablet PC and the device before connecting/disconnecting. For more information about whether or not devices need to be switched off, please refer to the documentation supplied with your external device.

Some of the external devices require special drivers (see the operating system and external device documentation).

Connecting an external monitor

microHDMI port

The micro HDMI port on your device can be used to connect an external amplifier, LCD TV or a plasma TV with an HDMI connection.



- ▶ Connect the data cable to the external device.
- ▶ Connect the data cable to the microHDMI port.

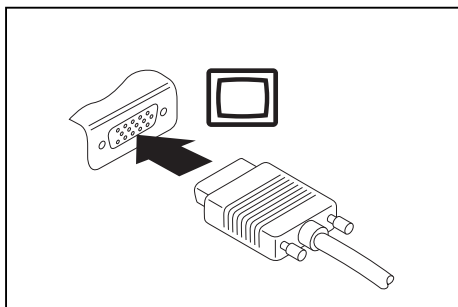


Some LCD televisions have only two speakers/speaker ports and therefore cannot reproduce Dolby Digital or DTS. To play back HDMI sound, you must change the HDMI sound settings accordingly.

You can find the settings under *Control Panel - Hardware and Sound*. Deactivate the settings for DTS Audio and Dolby Digital to enable playback of HDMI sound.

VGA monitor port (cradle only)

An analog monitor is connected to the analog external monitor port (VGA). Display output is limited to a maximum of two external screens at the same time.



- ▶ Switch off the Tablet PC and the external monitor.
- ▶ Plug the data cable of the external monitor into the monitor port.
- ▶ First switch on the external monitor and then switch on the Tablet PC.



You can also switch back and forth between the external monitor and the LCD screen of the Tablet PC, see ["Touchscreen", Page 24](#).

You can display the same image on the external monitor and on the LCD screen of the Tablet PC at the same time.

Connecting USB devices

On the USB ports you can connect external devices that also have a USB port (e.g. a DVD drive, a printer, a scanner or a modem).



USB devices are hot-pluggable. This means you can connect and disconnect the cables of USB devices while the operating system is running.

USB 1.x has a maximum data transfer rate of 12 Mbps.

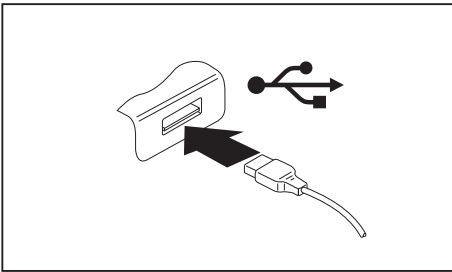
USB 2.0 has a data transfer rate of up to 480 Mbps.

USB 3.0 has a data transfer rate of up to 5 Gbps.

USB 3.1 Gen 1 has a data transfer rate of up to 5 Gbps.

USB 3.1 Gen 2 has a data transfer rate of up to 10 Gbps.

Additional information can be found in the documentation for the USB devices.



- ▶ Connect the data cable to the external device.
 - ▶ Connect the data cable to the USB port on the Tablet PC.
- or
- ▶ Connect the data cable to a USB port of the cradle.



Device drivers

USB devices will be automatically recognized and installed by your operating system.

USB port with charging function (USB Type C)

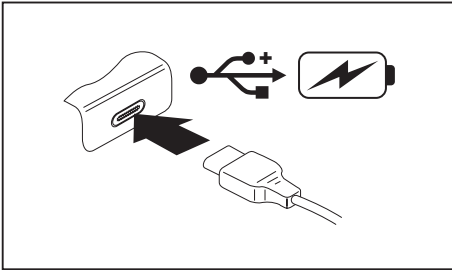
You can also charge a connected USB device or operate devices without an additional power supply at this USB port.

This is also possible with the Tablet PC switched off, if the *USB Type C Power Delivery on System Off* function is activated in the *Advanced - Miscellaneous Configurations* menu of the *BIOS Setup Utility*. For how to call up and use the *BIOS Setup Utility*, see Section "[Settings in BIOS Setup Utility](#)", [Page 82](#).



USB devices are hot-pluggable. This means you can connect and disconnect the cables of USB devices while the operating system is running.

Additional information can be found in the documentation for the USB devices.



- ▶ Connect the data cable to the external device.
- ▶ Connect the data cable to a USB port (USB Type C) on the Tablet PC.

How to remove USB devices correctly

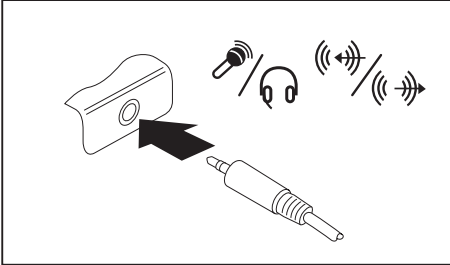


Always correctly remove the device according to the rules described below, to ensure that none of your data is lost.

- ▶ Tap the symbol for safe removal of the hardware.
- ▶ Select the device you wish to shut down and remove.
- ▶ Tap *OK*.
- ↳ Wait for the dialog box which tells you that it is now safe to remove the device.

Headphones/microphone/Line-In/Line-Out/headset-combi port

Using the headphone/microphone/Line-In/Line-Out/headset-combi port, you can connect a headset, headphones, a microphone or external loudspeakers to your Tablet PC.



- ▶ Connect the audio cable to the external device.
- ▶ Connect the audio cable to the headphone port of the Tablet PC.
- ↳ The internal speakers are disabled.

i

If you purchase a cable from a retailer, please note the following information:

The headphone/microphone/Line-In/Line-Out/headset-combi port on your Tablet PC is a "3.5 mm jack socket".

If you want to connect headphones or speakers you will need a "3.5 mm jack plug".

Settings in BIOS Setup Utility

The *BIOS Setup Utility* allows you to set the system functions and the hardware configuration for the Tablet PC.

When the Tablet PC is delivered, the default settings are effective. You can change these settings in the menus of the *BIOS Setup Utility*. Any changes you make take effect as soon as you save and exit the *BIOS Setup Utility*.

The *BIOS Setup Utility* program contains the following menus:

| | |
|-----------------|--|
| <i>Info</i> | Displays information relating to the BIOS, processor and Tablet PC |
| <i>System</i> | Advanced system settings |
| <i>Advanced</i> | Configuration of various hardware components, such as mouse, keyboard, processor |
| <i>Security</i> | Password settings and security functions |
| <i>Boot</i> | Configuration of the start-up sequence |
| <i>Exit</i> | Exits the <i>BIOS Setup Utility</i> |

Starting the BIOS Setup Utility

- ▶ Keep the Volume Down button pressed and switch on the Tablet PC.
- ▶ If a password has been assigned, enter the password and press the Enter key.



If you have forgotten the password, contact your system administrator or contact our customer service center.

The *BIOS Setup Utility* starts.

BIOS Setup Utility operation



Press the **F1** key to display help about operation of the *BIOS Setup Utility*. The description of the individual settings is shown in the right-hand window of the *BIOS Setup Utility*.

With the **F9** key you can load the default settings of the *BIOS Setup Utility*.

- ▶ Use the cursor keys **←** or **→** to select the menu you wish to access to make changes.
↳ The menu is displayed on the screen.
- ▶ Select the option you want to change with the cursor keys **↑** or **↓**.
- ▶ Press the "Enter" key.
- ▶ Press the **ESC** key to exit the selected menu.
- ▶ For future reference, make a note of the changes you have made (for example, in this manual).

Exiting BIOS Setup Utility

You need to select the desired option in the *Exit* menu and activate it by pressing the Enter key:

Exit Saving Changes - save changes and exit BIOS Setup Utility

- ▶ To save the current menu settings and exit the *BIOS Setup Utility*, select *Exit Saving Changes* and *Yes*.
- ↳ The Tablet PC is rebooted and the new settings come into effect.

Exit Discarding Changes - Reject changes and exit BIOS Setup Utility

- ▶ To discard the changes, select *Exit Discarding Changes* and *Yes*.
- ↳ The settings which were valid when *BIOS Setup Utility* was called remain effective. The *BIOS Setup Utility* ends and the Tablet PC is rebooted.

Load Setup Defaults – load default values

- ▶ To copy the standard entries for all menus of the *BIOS Setup Utility*, choose *Load Setup Defaults* and *Yes*.

Discard Changes - Discard Changes without exiting BIOS Setup Utility

- ▶ To discard the changes you have made, select *Discard Changes* and *Yes*.
- ↳ The settings in place when *BIOS Setup Utility* was called remain effective. You can now make additional settings in the *BIOS Setup Utility*.
- ▶ If you want to exit the *BIOS Setup Utility* with these settings, select *Exit Saving Changes* and *Yes*.

Save Changes - save changes without exiting the BIOS Setup Utility

- ▶ To save the changes, select *Save Changes* and *Yes*.
- ↳ The changes are saved. You can now make additional settings in the BIOS Setup Utility.
- ▶ If you want to exit BIOS Setup Utility with these settings, choose *Exit Saving Changes* and *Yes*.

Save changes and power off

- ▶ To save the changes and switch off your device, select *Save Changes and Power Off* and *Yes*.
- ↳ The changes are saved. Your device is shut down.

Troubleshooting and tips

If a fault occurs, try to correct it as described. If you fail to correct the problem, proceed as follows:

- ▶ Make a note of the steps and the circumstances that led to the fault. Also make a note of any error messages displayed.
- ▶ Switch the Tablet PC off.
- ▶ Please contact the Hotline/Service Desk.



You can contact Fujitsu Service and Support in the following ways:

- Toll free phone: 1-800-8Fujitsu (1-800-838-5487)
- Website: ["http://solutions.us.fujitsu.com/www/content/support/contact/index.php"](http://solutions.us.fujitsu.com/www/content/support/contact/index.php)

Before you place the call, have the following information ready so that the customer support representative can provide you with the fastest possible solution:

- The model name and serial number of the Tablet PC. The serial number is located on a sticker on the underside of the Tablet PC.
- Notes with the messages that appeared on the screen and information on acoustic signals.
- All changes you have made to the hardware or software after receiving the Tablet PC.
- All changes you have made to the *BIOS Setup* settings after receiving the Tablet PC.
- Your system configuration and all peripheral devices connected to your system.
- Your sales contract.



Our Tablet PCs have been designed primarily with mobile applications in mind. This means that considerable effort has been made to optimize components and equipment in terms of weight, space and energy requirements. Depending on the particular configuration you have purchased, it is possible that functionality may be slightly reduced compared to a desktop PC if you are running processor-intensive gaming software, e.g. games with intensive 3D graphics. Updating your hardware with drivers which have not been approved by Fujitsu may result in performance losses, data losses or malfunction of the equipment. A list of approved drivers and current BIOS versions can be downloaded from: ["http://Fujitsu.com/us"](http://Fujitsu.com/us)

Executing a reset

If the device no longer responds to your inputs, choose one of the following options:

Forced shutdown

- ▶ Press and hold the ON/OFF button for at least 4 seconds.
- ↳ The device will be shut down. You can then restart it.

Resetting the rechargeable battery

- ▶ Shut down the device.



If the device does not respond, you may have to force the shutdown, as described above.

- ▶ Disconnect the AC adapter from the device.
- ▶ Press the Volume Up button and the Shortcut button at the same time.
- ↳ The device resets in a similar way to the removal of the rechargeable battery. You can then restart it.

Help if problems occur

Should you encounter a problem with your computer that you cannot resolve yourself:

- ▶ Note the ID number of your device. The ID number is found on the type rating plate on the back or underside of the casing.
- ▶ For further clarification of the problem, contact the Fujitsu Service Desk. When you do this, please have ready the ID number and serial number of your system.

If you need to restore your system

In the event you need to restore your system, please refer to the appendix of this Operating Manual.

The Tablet PC's date or time is incorrect

| Cause | Troubleshooting |
|---|---|
| Time and date are incorrect. | ▶ With the <i>BIOS-Setup-Utility</i> , you can set the date and time in the <i>Main</i> menu. |
| Date and time are still set incorrectly after switching on the Tablet PC. | ▶ Please contact your sales outlet or our hotline/service desk. |

Battery charging indicator not lit

| Cause | Troubleshooting |
|-----------------------------------|--|
| The battery is not being charged. | <ul style="list-style-type: none"> ▶ Connect the Tablet PC to a power outlet using the AC adapter. <p>Note: The battery will only be charged again when the battery capacity is less than 90%.</p> |

The Tablet PC's touchscreen remains dark

| Cause | Troubleshooting |
|---|--|
| Touchscreen is switched off. | <ul style="list-style-type: none"> ▶ Press a key (external keyboard) or tap on the touchscreen. |
| External monitor or television set connected. | <ul style="list-style-type: none"> ▶ Check whether the graphics driver settings are correct or whether an external monitor has been detected in "Intel Graphics Media Accelerator Driver for mobile". |

The display on the Tablet PC's touchscreen is difficult to read.

| Cause | Troubleshooting |
|-----------------|---|
| Reflected glare | <ul style="list-style-type: none"> ▶ Move the Tablet PC into a different position. ▶ Increase the brightness of the screen. |

The external monitor remains blank

| Cause | Troubleshooting |
|--|---|
| Monitor is switched off. | ▶ Switch the external monitor on. |
| Power saving has been activated (monitor is blank). | ▶ Press a key (external keyboard) or tap on the touchscreen. |
| Brightness is set to dark. | ▶ Adjust the brightness of the monitor. |
| Screen output is set to the Tablet PC touchscreen. | ▶ Check whether the graphics driver settings are correct or whether an external monitor has been detected in "Intel Graphics Media Accelerator Driver for mobile". |
| The external monitor's AC cable or data cable is not connected properly. | <ul style="list-style-type: none"> ▶ Switch off the Tablet PC and the external monitor. ▶ Check whether the AC cable is plugged properly into the external monitor and into the power outlet. ▶ Check that the data cable is properly connected to the Tablet PC and the external monitor (if it is plugged in with a connector). ▶ Switch on the external monitor and the Tablet PC. |

The external monitor is blank or the image is unstable

| Cause | Troubleshooting |
|---|---|
| The wrong external monitor has been selected or the wrong screen resolution has been set for the application program. | <ul style="list-style-type: none"> ▶ Shut down the application program in Windows. If the error persists after shutting down the program, use the key combination for switching the screen output in order to switch to the touchscreen of the Tablet PC. Change the following setting: <ul style="list-style-type: none"> ▶ Set the screen resolution: Set the screen resolution as described in the documentation for your operating system. ▶ Select monitor: Select monitor 1 or 2 as described in the documentation for your operating system. |

The cursor does not correctly follow the stylus movements

| Cause | Troubleshooting |
|--------------------------------|---|
| Stylus incorrectly calibrated. | ▶ Calibrate the stylus as described in chapters "Adjusting the stylus", Page 29 and "Calibrating the stylus", Page 29 . |

Stylus input not working

| Cause | Troubleshooting |
|--|--|
| Incorrect driver installed. | <ul style="list-style-type: none"> ▶ If your device is one which can only be operated using the stylus, install the driver for the standard model. <p>or</p> <ul style="list-style-type: none"> ▶ If your device is one which can be operated using the stylus and by finger, install the driver for the "Dual Digitizer" model. |
| The stylus is in power saving mode. | <ul style="list-style-type: none"> ▶ Press gently on the tip of the stylus to reactivate the stylus. |
| The stylus battery is completely discharged. | <ul style="list-style-type: none"> ▶ Carefully insert the stylus in its slot on the Tablet PC to charge the stylus battery. |

The Tablet PC does not start after switch on

| Cause | Troubleshooting |
|---|--|
| The battery is dead. | <ul style="list-style-type: none"> ▶ Charge the battery. <p>or</p> <ul style="list-style-type: none"> ▶ Connect the AC adapter to the Tablet PC. |
| The AC adapter is not connected properly. | <ul style="list-style-type: none"> ▶ Check whether the AC adapter is properly connected to the Tablet PC. ▶ Switch the Tablet PC on. |

The Tablet PC stops working

| Cause | Troubleshooting |
|--|--|
| The Tablet PC is in energy saving mode. | <ul style="list-style-type: none"> ▶ End energy saving mode. |
| An application program has caused the malfunction. | <ul style="list-style-type: none"> ▶ Close the application program or restart the Tablet PC (by restarting the operating system or switching the device off and back on again). |
| The battery is dead. | <ul style="list-style-type: none"> ▶ Charge the battery. <p>or</p> <ul style="list-style-type: none"> ▶ Connect the AC adapter to the Tablet PC. |

The printer does not print

| Cause | Troubleshooting |
|---|--|
| The printer is not switched on. | <ul style="list-style-type: none"> ▶ Make sure that the printer is switched on and ready for operation (refer to the documentation supplied with the printer). |
| The printer is not connected correctly. | <ul style="list-style-type: none"> ▶ Check that the data cable between the Tablet PC and the printer is properly connected. |
| The printer driver is faulty or not correctly installed, or it is the wrong printer driver. | <ul style="list-style-type: none"> ▶ Check that the data cable between the Tablet PC and the printer is properly connected. ▶ Check whether the correct printer driver is loaded (refer to the printer documentation). |

The wireless connection to a network does not work

| Cause | Troubleshooting |
|--|--|
| The wireless component is switched off. | <ul style="list-style-type: none"> ▶ Switch the wireless component on (see "Switching the wireless components on and off", Page 35). |
| The wireless component is switched on. Despite this, the wireless connection to a network does not work. | <ul style="list-style-type: none"> ▶ Check whether the wireless connection is enabled by the software. ▶ Further information on using the wireless component can be found in the help files. |

The battery discharges too quickly

| Cause | Troubleshooting |
|--|--|
| The battery is either too hot or too cold. In this case the battery indicator flashes. | <ul style="list-style-type: none"> ▶ Bring the Tablet PC up/down to a normal operating temperature again. ▶ If the operating time of the battery life is extremely short, the battery is probably too old. Replace the battery if necessary. |
| You may have an application running that consumes a great deal of power due to frequent accessing of the hard disk or optical drive. | <ul style="list-style-type: none"> ▶ Use the AC adapter whenever possible. |
| The maximum brightness may have been set for the screen. | <ul style="list-style-type: none"> ▶ Reduce the brightness of the screen to lower energy consumption: You will find the setting under <i>Control Panel – Hardware and Sounds – Windows Mobility Center</i>. |

Smart Card reader is not recognized

| Cause | Troubleshooting |
|----------------------------------|---|
| Smart Card inserted incorrectly. | <ul style="list-style-type: none"> ▶ Check to ensure that you have inserted your SmartCard in the SmartCard reader the right way round. ▶ Check whether the Smart Card you are using is supported. Your Smart Card must comply with the ISO standard 7816-1, -2, -3 and -4. |

Smart Card PIN forgotten

| Cause | Troubleshooting |
|---------------|--|
| PIN forgotten | <ul style="list-style-type: none"> ▶ If you work in a network, contact your system administrator, who can unlock your Tablet PC using a supervisor PIN. |

User and/or supervisor Smart Card lost

| Cause | Troubleshooting |
|---|--|
| User and/or Supervisor Smart Card lost. | <ul style="list-style-type: none"> ▶ If you have lost your user Smart Card, you can continue working with the Supervisor Smart Card and initialize a new user Smart Card. ▶ If you have lost the Supervisor Smart Card, you can also continue working, but you no longer have all rights and cannot initialize another Supervisor Smart Card. ▶ If you have lost both Smart Cards, you cannot boot your system. Please contact our customer service center. You must provide proof of ownership for the device. The customer service center will then refer you to our service partner, who will unlock your device (for a charge). |

Smart Card lost

| Cause | Troubleshooting |
|------------------|--|
| Smart Card lost. | <ul style="list-style-type: none"> ▶ If you work in a network, contact your system administrator, who can boot your Tablet PC with a supervisor Smart Card. |

Acoustic warning

| Cause | Troubleshooting |
|---|-----------------------|
| A beep sounds every few seconds. The battery is almost dead. | ► Charge the battery. |

Error messages on the screen

This section describes the error messages generated by the BIOS Setup. Error messages displayed by the operating system or programs are described in the documentation for these programs.



If the error message appears repeatedly despite troubleshooting measures, contact the place of purchase or our customer service center.

| Error message/cause | Troubleshooting |
|---|--|
| <p><i>CMOS battery bad</i></p> <p>If the error message occurs repeatedly, the buffer battery in the Tablet PC is flat.</p> | <ul style="list-style-type: none"> ▶ Contact your sales outlet or our customer service center. |
| <p><i>System CMOS checksum bad - Default configuration used</i></p> <p>The system configuration information is incorrect.</p> | <ul style="list-style-type: none"> ▶ Switch the Tablet PC off. ▶ Switch the Tablet PC on. ▶ In the <i>BIOS Setup</i>, select the <i>Exit</i> menu. ▶ Select the entry <i>Load Setup Defaults</i>. ▶ Select <i>OK</i> and press the Enter key. |
| <p><i>Extended memory failed at offset: xxxx Failing Bits: zzzz zzzz</i></p> <p>When testing the extended memory, an error has resulted at the address xxxx.</p> | <ul style="list-style-type: none"> ▶ Contact your sales outlet or our customer service center. |
| <p><i>Failure Fixed Disk n</i></p> <p>The settings of the hard disk drive are incorrect.</p> | <ul style="list-style-type: none"> ▶ Start the <i>BIOS Setup (Primary Master submenu)</i> and select the correct settings. |
| <p><i>Keyboard controller error</i></p> | <ul style="list-style-type: none"> ▶ Switch your Tablet PC off with the ON/OFF button. ▶ Wait 3 - 5 seconds and switch the Tablet PC on again. |
| <p><i>Keyboard error</i></p> | <p>If you use an external keyboard:</p> <ul style="list-style-type: none"> ▶ Check the connection and reboot the Tablet PC. |
| <p><i>nn Stuck key</i></p> | <ul style="list-style-type: none"> ▶ Make sure that no key is pressed. |
| <p><i>Operating system not found</i></p> | <ul style="list-style-type: none"> ▶ Check in the <i>BIOS Setup</i> whether your hard disk has been set correctly. ▶ Make sure that the operating system is installed on the corresponding drive. |
| <p><i>Press <F1> to resume, <F2> to SETUP</i></p> <p>This error message appears if an error occurs during the self-test before starting the operating system.</p> | <ul style="list-style-type: none"> ▶ Press the Volume Up button to start the BIOS setup. <p>or</p> <ul style="list-style-type: none"> ▶ If you are working with an external keyboard, press the [F1] or [F2] key on the keyboard. |
| <p><i>Real time clock error</i></p> | <ul style="list-style-type: none"> ▶ Contact your sales outlet or our customer service center. |
| <p><i>nnnnK Shadow RAM failed at offset: xxxx Failing Bits: zzzz</i></p> | <ul style="list-style-type: none"> ▶ Contact your sales outlet or our customer service center. |
| <p><i>System battery is dead - Replace and run SETUP</i></p> | <ul style="list-style-type: none"> ▶ Contact your sales outlet or our customer service center. |
| <p><i>System cache error - Cache disabled</i></p> | <ul style="list-style-type: none"> ▶ Contact your sales outlet or our customer service center. |
| <p><i>System timer error</i></p> | <ul style="list-style-type: none"> ▶ Contact your sales outlet or our customer service center. |

Technical data

Tablet PC

| General | |
|---|---|
| Processor | i7-10610U 1.8GHz/up to 4.9GHz 8MB (Cometlake-U UMS3) [vPro : Yes] i5-10310U 1.7GHz/up to 4.4GHz 6MB (Cometlake-U UMS1) [vPro : Yes] |
| RAM | 8 GB / 16 GB onboard |
| Electrical data | |
| Safety regulations complied with | CE, cULus |
| Protection class | III |
| Maximum power consumption (when the Tablet PC is switched on and the rechargeable battery is charging): | with keyboard cover: 65 W with cradle: 90 W |
| Touchscreen | |
| Size | 13.3" Full HD Antiglare |
| Resolution | 1920 x 1080 / 16 million colors |
| Pixel class | II |
| Brightness control | 12 levels |
| Cameras | <ul style="list-style-type: none"> • Front: 2 megapixels • Rear: 5 megapixels, autofocus, mobile light |
| Display adapter | |
| Chip | Intel® UHD Graphics 620 |
| Maximum resolution of external monitor: | HDMI: 4096 x 2160 |
| Dimensions | |
| Width x Depth x Height | <ul style="list-style-type: none"> • Standard version: <ul style="list-style-type: none"> • 12.45 x 7.87 x 0.40 inch • 316.3 x 200.9 x 10.5 mm |
| Weight depending on configuration | <ul style="list-style-type: none"> • Standard version: <ul style="list-style-type: none"> • 1.76 lbs • 799 g • Version with keyboard cover: <ul style="list-style-type: none"> • 3.03 lbs • 1374 g <p>Depending on the configuration, the weight of your device variant may differ from the specified values.</p> |
| Input devices | |
| Tablet buttons | 4 buttons |
| Stylus (optional) | Stylus with 2 stylus buttons |

Technical data

| Slots | |
|---|---|
| Memory card slot | 1 x microSD |
| SIM card slot (configuration-dependent) | 1 x Micro-SIM |
| Smart Card slot (configuration-dependent) | 1 x |
| Ports | |
| Combined headphones and microphone port | 3.5 mm stereo mini jack |
| Docking port | 1 x |
| Micro HDMI port | 1 x |
| USB (Universal Serial Bus) | 1 x USB 3.1 Gen1 (USB Type A), 1 x USB 3.1 Gen2 with recharging function (USB Type C) |
| Security Lock device | 1 x |
| Ambient conditions | |
| Environment class DIN IEC 721 | 7K1 |
| Mechanism class DIN IEC 721 | 7M2 |
| Operating temperature | 41 °F 95 °F / 5 °C 35 °C |
| Transport temperature (2K2) | 5 °F 140 °F / -15 °C 60 °C |
| Relative humidity | 20 % ... 80 % (no condensation) |
| Operating height | 2000 m |

WLAN specifications

| | |
|---|---|
| <p>Type of network*</p> | <p>Intel® Wi-Fi AX201 module, Wi-Fi based**, with 264 bit encryption</p> <p>Please see Attached pdf Under Section: Wi-Fi Alliance; IEEE WLAN Standard/ Bluetooth</p> |
| <p>Maximum recommended number of computers to be connected over wireless LAN (during ad hoc connection)</p> | <p>≤ 10 units ***</p> |
| <p>Security features*</p> | <p>Authentication WPA**** and WPA2**** 802.1X (EAP-TLS, TTLS, PEAP, EAP-SIM, EAP-AKA, EAP-AKA')</p> <p>Authentication Protocols PAP, CHAP, TLS, MS-CHAP*, MS-CHAPv2</p> <p>Encryption 64-bit and 128-bit WEP, TKIP, 128-bit AEC-CCMP, 128-bit and 256-bit AES-GCMP</p> <p>Wi-Fi Direct** Encryption and Authentication WPA2-PSK, AES-CCMP</p> |
| <p>* From Intel Product Brief</p> <p>** "Wi-Fi based" means that the interconnectivity test of the organization that guarantees the interconnectivity of Wireless LAN (Wi-Fi Alliance) has been passed.</p> <p>*** Depending on the particular practical application, the number of computers which can be networked is reduced if necessary.</p> <p>**** Bluetooth is a trademark or registered trademark of Bluetooth SIG, Inc. in the United States and other countries.</p> | |

WWAN specifications

| | |
|--------------------|-----------------------------------|
| Card certification | Sierra Wireless Air Prime EM7455B |
|--------------------|-----------------------------------|

Screen resolutions for integrated screen and external screens

| | Maximum number of screens | Number of external screens | Integrated display screen | System interface microHDMI port |
|----------------|---------------------------|----------------------------|---------------------------|---|
| Only Tablet PC | 2 | 1 | 1920x1080 @60Hz | 4096x2160 @24Hz 3840x2160 @30Hz 1920x1080 @60Hz |

Rechargeable battery



For information on the batteries used in your device, please see ["http://solutions.us.fujitsu.com/www/content/support/contact/index.php"](http://solutions.us.fujitsu.com/www/content/support/contact/index.php).

| | 3-cell lithium ion rechargeable battery 3450 mAh |
|----------------|--|
| Rated voltage | 11.1V |
| Rated capacity | 80 mAh |
| Type | Lithium-ion |
| Replaceability | By authorized service providers |

| | CR1620 button cell battery |
|----------------|---------------------------------|
| Type | Lithium metal |
| Replaceability | By authorized service providers |

AC adapter 65 W for the Tablet PC with/without keyboard cover

| | |
|--------------------|----------|
| Rated voltage | 19 Volts |
| Max. rated current | 3.42 A |

An additional AC adapter or AC cable can be ordered at any time.

AC adapter 90 W for Tablet PC with cradle

| | |
|--------------------|----------|
| Rated voltage | 19 Volts |
| Max. rated current | 4.74 A |

An additional AC adapter or AC cable can be ordered at any time.

Cradle (optional)

| | |
|--------------------------------|------------------------------------|
| Electrical data | |
| Protection class | III |
| Ports | |
| Docking port | 11-pin |
| HDMI multimedia interface port | 1 x |
| VGA monitor port | 1 x |
| USB (Universal Serial Bus) | 3 x USB 3.1 Gen1 (Type A) |
| LAN port | 1 x |
| Security Lock device | 1 x |
| Ambient conditions | |
| Environment class DIN IEC 721 | 7K1 |
| Mechanism class DIN IEC 721 | 7M2 |
| Operating temperature | 41 °F 95 °F / 5 °C 35 °C |
| Temperature in transit | 41 °F 95 °F / 5 °C 35 °C |
| Relative humidity | 20 % ... 80 % (no condensation) |
| Operating height | 2000 m |

Keyboard cover (optional)

| | |
|-------------------------------|----------------------------------|
| Electrical data | |
| Protection class | III |
| Ports | |
| Docking port | 9-pin |
| LAN port | 1 x |
| Ambient conditions | |
| Environment class DIN IEC 721 | 7K1 |
| Mechanism class DIN IEC 721 | 7M2 |
| Operating temperature | 41 °F ... 95 °F / 5 °C ... 35 °C |
| Temperature in transit | 41 °F ... 95 °F / 5 °C ... 35 °C |
| Relative humidity | 20 % ... 80 % (no condensation) |
| Operating height | 2000 m |

Folio cover (optional)

| | |
|------------------------|--|
| Dimensions | |
| Width x Depth x Height | 320mm x 210mm)x 19.5mm 12.4 in. x 8.27 in. x .77 in. |
| Weight | Approx. 480 g / 1.1 lbs. |

Protective TPU cover with stand, hand strap, and shoulder strap (optional)

| | |
|------------------------|---|
| Dimensions | |
| Width x Depth x Height | 328.7mm x 210.9mm x18.2mm 12.94 in. x 8.30 in. x 0.72 in |
| Weight | Approx. 370 g / 0.82 lbs. |

Manufacturer's notes

Disposal and recycling

You can find information on this subject on your Tablet PC or on our website (["http://solutions.us.fujitsu.com/www/content/products/trade-in_program/"](http://solutions.us.fujitsu.com/www/content/products/trade-in_program/)).

Recycling your battery

Over time, the batteries that run your mobile computer will begin to hold a charge for a shorter amount of time; this is a natural occurrence for all batteries. When this occurs, you may want to replace the battery with a brand new one*. If you replace it, it is important that you dispose of the old battery properly because batteries contain materials that could cause environmental damage if disposed of improperly.

Fujitsu is very concerned with environmental protection, and has enlisted the services of the Rechargeable Battery Recycling Corporation (RBRC)**, a nonprofit public service organization dedicated to protecting our environment by recycling old batteries at no cost to you.

RBRC has drop-off points at many convenient locations throughout the United States and Canada. To find the location nearest you, go to "www.RBRC.org" or call 1-800-822-8837.

If there are no convenient RBRC locations near you, you can also go to the EIA Consumer Education Initiative website "<http://EIAE.org/>" and search for a convenient disposal location.



Remember – protecting the environment is a cooperative effort, and you should make every effort to protect it for current and future generations.

* To order a new battery for your Fujitsu mobile computer, go to the Fujitsu shopping site at "www.shopfujitsu.com" in the US or "www.fujitsu.ca/products/notebooks" in Canada.

** RBRC is an independent third party to which Fujitsu provides funding for battery recycling; RBRC is in no way affiliated with Fujitsu.

DOC (Industry CANADA) Notices

Notice to Users of Radios and Television

This Class B digital apparatus meets all requirements of Canadian Interference-Causing Equipment Regulations.

CET appareil numérique de la class B respecte toutes les exigence du Règlement sur le matériel brouilleur du Canada.

UL Notice

IMPORTANT SAFETY INSTRUCTIONS

This unit requires an AC adapter to operate. Only use UL Listed I.T.E. adapters with an output rating of 19 VDC, with a minimum current of 3.42A (65W). The correct output rating is indicated on the AC adapter label. Refer to the illustration below for the correct AC adapter output polarity:



CAUTION:

When using your notebook equipment, basic safety precautions should always be followed to reduce the risk of fire, electric shock and injury to persons, including the following:

- Do not use this product near water for example, near a bathtub, washbowl, kitchen sink or laundry tub, in a wet basement or near a swimming pool.
- Use only the power cord and batteries indicated in this manual.
- Do not dispose of batteries in a fire. They may explode.
- Check with local codes for possible special disposal instructions.

SAVE THESE INSTRUCTIONS.

For Authorized Repair Technicians Only



CAUTION:

For continued protection against risk of fire, replace only with the same type and rating fuse.



WARNING:

Danger of explosion if Lithium (CMOS) battery is incorrectly replaced. Replace only with the same or equivalent type recommended by the manufacturer.

Dispose of used batteries according to the manufacturer's instruction.

ENERGY STAR Compliance



Your Fujitsu system is an ENERGY STAR qualified mobile PC. By choosing a computer with the latest energy-saving technology, you're helping to preserve our environment for future generations. ENERGY STAR is a joint program of the U.S. Environmental Protection Agency, U.S. Department of Energy, Natural Resources Canada, and other governments around the world helping us save money while protecting the environment through energy efficient products and practices. With energy costs and global warming top-of-mind for consumers, Fujitsu is committed to offering solutions that help consumers conserve energy and improve the quality of our environment.

Sleep mode:

You will notice that your computer is initially set so that the display turns off after 5 minutes and sleeps after 15 minutes. When plugged in: the display turns off after 10 minutes and sleeps after 30 minutes (as OS default value). When going into Sleep mode, the computer also reduces the speed of any active Ethernet network links. To "wake" the computer from Sleep mode, press the Suspend/Resume Button.

Energy saving benefits:

Fujitsu ENERGY STAR qualified mobile PCs use about half as much electricity as standard equipment – saving half in utility costs. But more than that, ENERGY STAR also makes a difference for the environment. Did you know that the average house can be responsible for twice the greenhouse gas emissions as the average car? That's because every time you flip on a light switch, run your dishwasher, or turn on your PC, you use energy, which means more greenhouse gas emissions from power plants. So the more energy we can save through energy efficiency, the more we help to reduce greenhouse gases and the risks of global warming.

To learn more about the important ENERGY STAR program, visit: "www.energystar.gov".

To read about how Fujitsu is supporting Sustainable Management along with several other environmental activities, visit the Fujitsu Corporate Citizenship page at: "<http://www.computers.us.fujitsu.com/www/content/aboutus/environmental/environment.php>".

FCC and IC Regulatory Information



Please note the following regulatory information related to the wireless LAN device.

Regulatory Notes and Statements

Wireless LAN, Health and Authorization for use

Radio frequency electromagnetic energy is emitted from Wireless LAN devices. The energy levels of these emissions, however, are far much less than the electromagnetic energy emissions from wireless devices such as mobile phones. Wireless LAN devices are safe for use by consumers because they operate within the guidelines found in radio frequency safety standards and recommendations. The use of Wireless LAN devices may be restricted in some situations or environments, such as:

- On board an airplane, or
- In an explosive environment, or
- In situations where the interference risk to other devices or services is perceived or identified as harmful.

In cases in which the policy regarding use of Wireless LAN devices in specific environments is not clear (e.g., airports, hospitals, chemical/oil/gas industrial plants, private buildings), obtain authorization to use these devices prior to operating the equipment.



AVERTISSEMENT – Le notebook Fujitsu communiquera par radiofréquences (RF) lorsqu'elle est utilisée en mode station d'accueil dans le socle. L'appareil émet de l'énergie radiofréquence d'une intensité inférieure aux limites d'exposition humaine aux radiofréquences établies par la FCC aux États-Unis et par ISDE au Canada. Toutefois, en mode station d'accueil, le notebook ne doit pas toucher le corps. Les contacts avec le corps pendant le fonctionnement normal de l'appareil doivent être minimisés et une distance de plus de 20 cm doit être maintenue entre le corps et le notebook. L'utilisation d'autres accessoires peut conduire à un usage non conforme aux limites d'exposition aux radiofréquences de la FCC. Des détails au sujet des configurations autorisées sont fournis sur le site Web de la FCC. Entrez alors le numéro d'identification FCC qui apparaît sur cet appareil.

Regulatory Information/Disclaimers

Installation and use of this Wireless LAN device must be in strict accordance with the instructions included in the user documentation provided with the product. Any changes or modifications made to this device that are not expressly approved by the manufacturer may void the user's authority to operate the equipment. The manufacturer is not responsible for any radio or television interference caused by unauthorized modification of this device, or the substitution or attachment of connecting cables and equipment other than those specified by the manufacturer. It is the responsibility of the user to correct any interference caused by such unauthorized modification, substitution or attachment. The manufacturer and its authorized resellers or distributors will assume no liability for any damage or violation of government regulations arising from failure to comply with these guidelines.

This device must not be co-located or operated in conjunction with any other antenna or transmitter.

Federal Communications Commission and Industry Canada statement:

This device complies with Part 15 of FCC Rules and Industry Canada license exempt RSS standard(s).

Operation is subject to the following two conditions: (1) This device may not cause interference, and, (2) This device must accept any interference, including interference that may cause undesired operation of this device.

Déclaration d'Industrie Canada

This device complies with Industry Canada's license-exempt devices and RSS standards for Internet updates. Cet appareil est conforme à la RSS concernant les appareils exempts de licence par Industrie Canada. Its operation is subject to the following two conditions: Son fonctionnement est soumis aux deux conditions suivantes : (1) This device may not cause harmful interference; (2) this device must accept any interference received, including interference that may cause undesired operation. (1) cet appareil ne doit pas causer d'interférence nuisible; (2) cet appareil doit accepter toutes les interférences reçues, y compris celles pouvant causer un mauvais fonctionnement de l'appareil.

FCC Interference Statement

This equipment has been tested and found to comply with the limits for a Class B digital device, pursuant to Part 15 of the FCC Rules. These limits are designed to provide reasonable protection against harmful interference in a residential installation. This equipment generates, uses, and can radiate radio frequency energy. If not installed and used in accordance with the instructions, it may cause harmful interference to radio communications. However, there is no guarantee that interference will not occur in a particular installation.

If this equipment does cause harmful interference to radio or television reception, which can be determined by turning the equipment off and on, the user is encouraged to try and correct the interference by one or more of the following measures:

1. Reorient or relocate the receiving antenna.
2. Increase the distance between the equipment and the receiver.
3. Connect the equipment to an outlet on a circuit different from the one the receiver is connected to.
4. Consult the dealer or an experienced radio/TV technician for help.

FCC Radio Frequency Exposure statement

The available scientific evidence does not show that any health problems are associated with using low power wireless devices. There is no proof, however, that these low power wireless devices are absolutely safe. Low power wireless devices emit low levels of radio frequency energy (RF) in the microwave range while being used. Whereas high levels of RF can produce health effects (by heating tissue), exposure to low-level RF that does not produce heating effects causes no known adverse health effects. Many studies of low-level RF exposure have not found any biological effects. Some studies have suggested that some biological effects might occur, but such findings have not been confirmed by additional research.

The wireless LAN radio components have been successfully tested for compliance with the FCC radio frequency limit values for unmonitored devices. The radio components comply with the FCC Radio Frequency (RF) Exposure Guidelines in KDB 447498 D01 General RF Exposure Guidance v06

The exposure standard for wireless devices employs a unit of measurement known as the Specific Absorption Rate, or SAR. The SAR limit set by the FCC is 1.6W/kg, and 1.6W/kg by Industry Canada.

This device is compliant with SAR for general population / uncontrolled exposure limits in ANSI/IEEE C95.1-1992 and Canada RSS 102, and had been tested in accordance with the measurement methods and procedures specified in FCC CFR Rule Part 15.247 and 15.401, and Canada RSS 102. This device has been tested, and meets the FCC, IC RF exposure guidelines when tested with the device operating conditions.

Déclaration de la FCC/d'Industrie Canada sur l'exposition aux radiofréquences

La norme régissant l'exposition des appareils sans fil aux radiofréquences emploie une unité de mesure dénommée Taux d'absorption spécifique, ou TAS. La FCC et Industrie Canada ont défini la même limite de TAS : 1.6 W/kg. Cet appareil est conforme au TAS pour les limites d'exposition générales de la population/non contrôlées définies par les règles C95.1-1992 de l'ANSI/IEEE et RSS 102 d'Industrie Canada ; il a été testé en conformité avec les méthodes et procédures de mesure spécifiées dans le FCC CFR Rule Part 15.247 and 15.401 (O d'ingénierie et de technologie) et la règle RSS 102 d'Industrie Canada. Cet appareil a été testé selon les directives de la FCC et d'IC concernant l'exposition aux radiofréquences et s'est révélé conforme à ces dernières lorsqu'il a été testé en contact direct avec le corps.

Export restrictions

This product or software contains encryption code which may not be exported or transferred from the US or Canada without an approved US Department of Commerce export license. This device complies with Part 15 of FCC Rules, as well as ICES 003 B / NMB 003 B. Operation is subject to the following two conditions: (1) this device must not cause harmful interference, and (2) this device must accept any interference received, including interference that may cause undesirable operation. Modifications not expressly authorized by Fujitsu America, Inc. may invalidate the user's right to operate this equipment.

Restrictions concernant l'exportation

Ce produit ou logiciel contient du code de chiffrement qui ne peut être exporté ou transféré du Canada ou des États-Unis sans un permis d'exportation du département du commerce des États-Unis. Ce matériel est conforme à la Partie 15 des règlements de la FCC, ainsi qu'à la norme ICES 003 B/NMB 003 B. Son fonctionnement est soumis aux deux conditions suivantes : (1) cet appareil ne doit pas causer d'interférence nuisible; (2) cet appareil doit accepter toutes les interférences reçues, y compris celles pouvant causer un mauvais fonctionnement de l'appareil. Toute modification n'ayant pas été expressément approuvée par la société Fujitsu America Incorporated peut annuler le droit de l'utilisateur de se servir du matériel.

Canadian Notice / Avis pour le Canada

Canadian Notice

The device for the 5150 - 5250 MHz band is only for indoor usage to reduce the potential for harmful interference to co-channel mobile satellite systems.

The maximum antenna gain of 6 dBi permitted (for devices in the 5250 - 5350 MHz, 5470 - 5725 MHz and 5725 - 5825 MHz bands) to comply with the e.i.r.p. limit as stated in RSS-247.

In addition, users are cautioned to take note that high power radars are allocated as primary users (meaning they have priority) of 5250 - 5350 MHz and 5650 - 5850 MHz and these radars could cause interference and/or damage to LE-LAN devices.

Avis pour le Canada

Le matériel destiné à un usage sur la bande 5 150 - 5 250 MHz doit être utilisé uniquement à l'intérieur afin de réduire les risques de brouillage nuisible causé aux systèmes mobiles par satellite fonctionnant sur un même canal.

Un gain d'antenne de 6 dBi est autorisé (pour le matériel utilisant les bandes 5 250 - 5 350 MHz, 5 470 - 5 725 MHz et 5 725 - 5 825 MHz), conformément à la limite p.i.r.e. maximale permise afférent aux périphériques RSS-247.

En outre, les utilisateurs doivent prendre garde au fait que les radars de grande puissance sont considérés comme des utilisateurs principaux (ce qui signifie qu'ils sont prioritaires) des bandes 5 250 - 5 350 MHz et 5 650 - 5 850 MHz et qu'ils pourraient causer des interférences et/ou des dommages aux appareils de réseau exempts de licence.



AVERTISSEMENT – La tablette Fujitsu communiquera par radiofréquences (RF) lorsqu'elle est utilisée en mode station d'accueil dans le socle. L'appareil émet de l'énergie radiofréquence d'une intensité inférieure aux limites d'exposition humaine aux radiofréquences établies par la FCC aux États-Unis et par ISDE au Canada. Toutefois, en mode station d'accueil, la tablette ne doit pas toucher le corps. Les contacts avec le corps pendant le fonctionnement normal de l'appareil doivent être minimisés et une distance de plus de 20 cm doit être maintenue entre le corps et la tablette. L'utilisation d'autres accessoires peut conduire à un usage non conforme aux limites d'exposition aux radiofréquences de la FCC. Des détails au sujet des configurations autorisées sont fournis sur le site Web de la FCC. Entrez alors le numéro d'identification FCC qui apparaît sur cet appareil.

Appendix

Before Using the Optional Wireless LAN

This manual describes the procedures required to properly set up and configure the optional integrated Wireless LAN Mini-PCI device (referred to as "WLAN device" in the rest of the manual). Before using the WLAN device, read this manual carefully to ensure its correct operation. Keep this manual in a safe place for future reference.

Wireless LAN Devices Covered by this Document

This document is applicable to systems containing the following device:

- Intel® Dual Band Wireless-Intel® Wi-Fi AX201 module (11a/ac/b/g/n) WLAN and Bluetooth

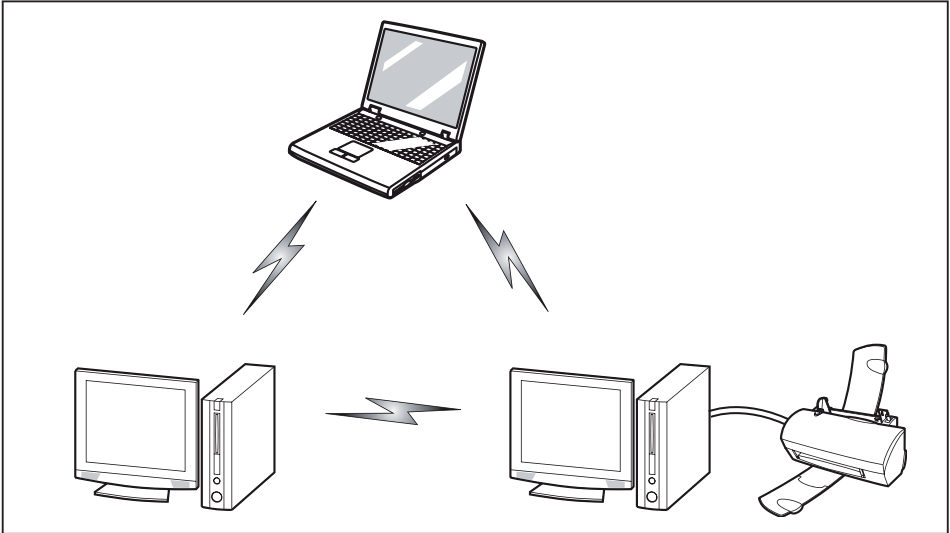
Characteristics of the WLAN Device

- The WLAN devices are PCI Express Mini cards attached to the main board of the mobile computer.
- The WLAN devices operate in license-free RF bands, eliminating the need to procure an FCC operating license. The WLAN operates in the 2.4GHz Industrial, Scientific, and Medical (ISM) RF band and the lower, middle, and upper bands of the 5GHz Unlicensed National Information Infrastructure (UNII) bands.
- The WLAN devices are capable of five operating modes, IEEE802.11a, IEEE802.11ac, IEEE802.11b, IEEE802.11g, and IEEE802.11n.
- The WLAN device is Wi-Fi certified and operates (as applicable) at the maximum data rate of 867 Mbps in IEEE802.11ac mode, 450 Mbps in IEEE802.11n mode (300 Mbps in this configuration); 54 Mbps in IEEE802.11g mode; and 11 Mbps in IEEE802.11b mode.
- The WLAN devices support the following encryption methods - WEP, TKIP, CKIP, and AES encryption.
- The Wireless LAN devices are compliant with the following standards: WPA, WPA2, CCX1.0, CCX2.0, CCX3.0, and CCX4.0.

Wireless LAN Modes Using this Device

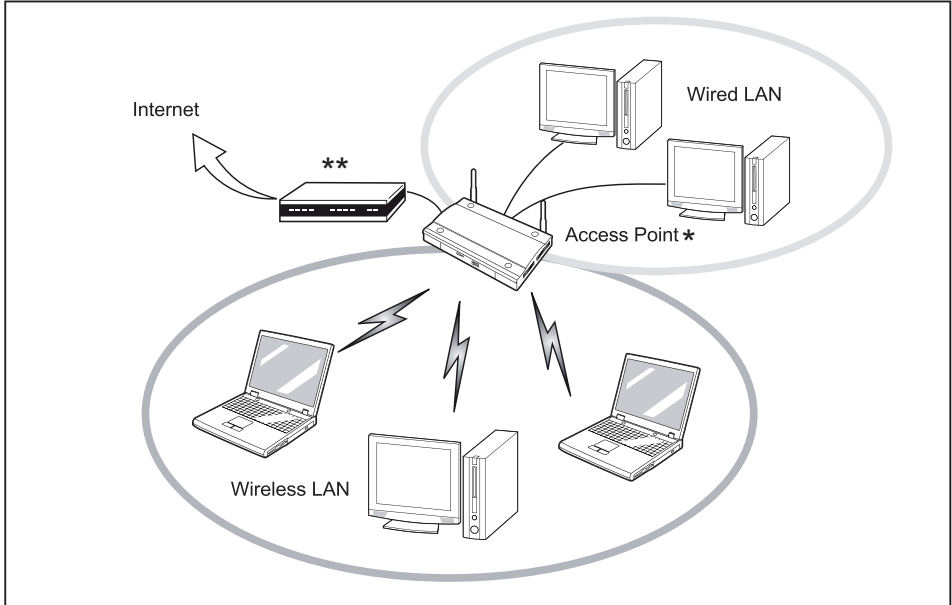
Ad Hoc Mode

"Ad Hoc Mode" refers to a wireless network architecture where wireless network connectivity between multiple computers is established without a central wireless network device, typically known as Access Point(s). Connectivity is accomplished using only client devices in a peer-to-peer fashion. That is why Ad Hoc networks are also known as peer-to-peer networks. Ad Hoc networks are an easy and inexpensive method for establishing network connectivity between multiple computers. Ad Hoc mode requires that the SSID, network authentication, and encryption key settings are identically configured on all computers in the Ad Hoc network.



Access Point (Infrastructure) Mode

Infrastructure mode refers to a wireless network architecture in which devices communicate with wireless or wired network devices by communicating through an Access Point. In infrastructure mode, wireless devices can communicate with each other or with a wired network. Corporate wireless networks operate in infrastructure mode because they require access to the WLAN in order to access services, devices, and computers (e.g., file servers, printers, databases).



* = An optional hub for a wired LAN may be required depending upon the type of access point used.

** = ADSL modem, cable modem, or similar

How to Handle This Device

The WLAN device is an optional device that may come pre-installed in your mobile computer. Under normal circumstances, it should not be necessary for you to remove or re-install it. The Operating System that your mobile computer comes with has been pre-configured to support the WLAN device.

- Integrated Intel Centrino wireless LAN devices support, optional Intel® Dual Band Wireless-Intel® Wi-Fi AX201 (802.11 ac/a/b/g/n) with Bluetooth Wireless v 5.0
- The WLAN device operates in the 2.4 GHz ISM band and the 5 GHz lower, middle, and upper UNII bands.
- Microwave ovens may interfere with the operation of WLAN devices since they operate in the same 2.4 GHz frequency range as IEEE802.11b/g/n devices. Interference by microwaves does not occur with IEEE802.11a radio which operates in the 5 GHz RF band.
- Wireless devices that transmit in the 2.4 GHz range may interfere with operation of WLAN devices in IEEE802.11b/g/n modes. Symptoms of interference include reduced throughput, intermittent disconnects, and many frame errors. It is HIGHLY recommended that these interfering devices be powered off to ensure proper operation of the WLAN device.

Deactivating/Disconnecting the WLAN Device

Disconnecting the WLAN device may be desired in certain circumstances (to extend battery life) or where certain environments require it (i.e. hospitals, clinics, airplanes, etc.). The WLAN device can be disconnected in Windows using the WLAN icon in the system tray (Note that disconnecting via the icon in the system tray does not turn off the radio; it continues to transmit and receive even though it's not connected.)

The wireless components are switched on and off using the appropriate functions of the operating system.

- ▶ To switch the wireless components off and on individually, select *Network & Internet - WiFi - on / off*.

Configuring the Wireless LAN

The optional WLAN device can be configured to establish wireless network connectivity using the software that is built into Windows. Support for most industry standard security solutions is contained in this software.

Pre-defined parameters will be required for this procedure. Please consult with your network administrator for these parameters.

Connection to the network

After you have configured your computer, you can connect to an active network by performing the following steps:

1. Click on the *WLAN* icon in the system tray.
2. Select *Connect to a network*.
3. Select a network from the list that appears, and click the *Connect* button.

Troubleshooting the WLAN

Causes and countermeasures for troubles you may encounter while using your wireless LAN are described in the following table.

| Problem | Possible Cause | Possible Solution |
|--------------------------------|---|--|
| Unavailable network connection | Incorrect network name (SSID) or network key | <p>Ad hoc connection: verify that the network names (SSID's) and network keys (WEP) of all computers to be connected have been configured correctly. SSID's and WEP key values must be identical on each machine.</p> <p>Access Point (Infrastructure) connection: set the network name (SSID) and network key to the same values as those of the access point.</p> <p>Set the Network Authentication value identically to that of the Access Point. Please consult your network administrator for this value, if necessary.</p> |
| | Weak received signal strength and/or link quality | <p>Ad hoc connection: Retry connection after shortening the distance to the destination computer or removing any obstacles for better sight.</p> <p>Access Point (Infrastructure) connection: Retry connection after shortening the distance to the access point or removing any obstacles for better sight.</p> |

| Problem | Possible Cause | Possible Solution |
|---|---|---|
| Unavailable network connection (continued) | The WLAN device was deactivated or is disabled | Check if the wireless switch is turned On. Go to <i>Start > Control Panel</i> , and doubleclick on <i>Windows Mobility Center</i> . If the wireless network is off, click the <i>Turn wireless on</i> button. |
| | The computer to be connected is turned off | Check if the computer to be connected is turned ON. |
| | Incorrectly configured network settings | Recheck the configuration of your network settings. |
| | RF interference from Access Points or other wireless networks | The use of identical or overlapping RF channels can cause interference with the operation of the WLAN device. Change the channel of your Access Point to a channel that does not overlap with the interfering device. |
| | Wireless network authentication has failed | Re-check your Network Authentication, Encryption, and Security settings. Incorrectly configured security settings such as an incorrectly typed WEP key, a mis-configured LEAP username, or an incorrectly chosen authentication method will cause the LAN device to associate but not authenticate to the wireless network. |
| | Incorrect IP address configuration | This only applies to networks using static IP addresses. Please contact your network administrator for the correct settings. |

Using the Bluetooth Device

Bluetooth is integrated into the Wireless LAN module. The Bluetooth capabilities are Bluetooth Basic, EDR and Bluetooth Low Energy (BT v5.0) operational modes.

What is Bluetooth

Bluetooth technology is designed as a short-range wireless link between mobile devices, such as laptop computers, phones, printers, and cameras. Bluetooth technology is used to create Personal Area Networks (PANs) between devices in short-range of each other.



Proceed as follows to individually enable or disable wireless LAN or Bluetooth devices:

1. Switch on the WLAN/Bluetooth using the **F5** key.
2. In the screen *Modern Start*, select the option *Charms > Settings > Change PC Settings > Wireless*.
3. Under *Wireless > Wireless Devices*, click on the switch *Bluetooth* to switch on Bluetooth.

Where to Find Information About Bluetooth

For additional information about Bluetooth Technology, visit the Bluetooth Web site at: ["www.bluetooth.com"](http://www.bluetooth.com).

FCC Radiation Exposure Statement

This system complies with the FCC limit values for radio frequency radiation in an uncontrolled environment. The Bluetooth antenna is located at the top edge of the LCD screen and is exempt from the criteria for minimum distance because of its low power consumption.

The transmitter used in this system must not be operated together with other antennas or transmitters.

Canadian Notice

To prevent radio interference to licensed services, this system is designed for use in indoor spaces / in buildings and not directly at window openings, to allow a maximum shielding.

Warranty

Users are not authorized to modify this product. Any modifications invalidate the warranty.

This equipment may not be modified, altered, or changed in any way without signed written permission from Fujitsu. Unauthorized modification will void the equipment authorization from the FCC and Industry Canada and the warranty.

4G Sierra Wireless AirPrime EM7455B Regulatory and Safety Information

Please read this section carefully prior to using the Integrated 4G Sierra Wireless AirPrime™ EM7455B with GPS support in your Fujitsu computer.

Important notice

Because of the nature of wireless communications, transmission and reception of data can never be guaranteed. Data may be delayed, corrupted (that is, have errors) or be totally lost. Although significant delays or losses of data are rare when wireless devices such as the WWAN module are used in a normal manner with a well-constructed network, the card should not be used in situations where failure to transmit or receive data could result in damage of any kind to the user or any other party, including but not limited to personal injury, death, or loss of property. Sierra Wireless and its affiliates accept no responsibility for damages of any kind resulting from delays or errors in data transmitted or received using the 4G Sierra Wireless AirPrime EM7455B WWAN Module, or for failure of the module to transmit or receive such data.

Safety and hazards

The WWAN module **MUST BE POWERED OFF** in all areas that may be susceptible to radio interference. In particular:

Prohibited Areas

Obey all signs and notices and follow all rules and regulations. Power off the WWAN module when instructed to do so or when you suspect that it may cause interference or danger.

Where explosive atmospheres may be present

Areas with a potentially explosive atmosphere are not always clearly marked. Such areas include gas stations, fuel depots, chemical transfer or storage facilities, areas where blasting is in progress, areas where the air contains chemicals or particles such as grain, dust, or metal powders, and any other area where you would normally be advised to turn off your cellular phone or vehicle engine.

Near medical or life-support equipment

In areas where medical equipment may be susceptible to any form of radio interference. In such areas the 4G Sierra Wireless AirPrime EM7455B WWAN Module can transmit signals that could interfere with this equipment.

On board aircraft

In addition to Federal Aviation Authority (FAA) requirements, many airline regulations state that you must suspend wireless operations before boarding an aircraft. The WWAN module is capable of transmitting signals that could interfere with various onboard systems and controls.

Failure to observe this instruction may lead to suspension or denial of cellular telephone services to the offender, legal action, or both.

Some airlines may permit the use of cellular phones while the aircraft is on the ground and the door is open. The WWAN module may be used normally at this time.

While operating a vehicle

The driver or operator of any vehicle should not use a wireless data device while in control of a vehicle. Doing so detracts from the driver or operator's ability to control and operate the vehicle. In some countries, using such communications devices while in control of a vehicle is an offense.

Important safety/compliance information for North American users



Unauthorized modifications or changes not expressly approved by Sierra Wireless, Inc. could void compliance with regulatory rules, and thereby your authority to use this equipment.

The design of the WWAN module complies with U.S. Federal Communications Commission (FCC) and Industry Canada (IC) guidelines respecting safety levels of radio frequency (RF) exposure for portable devices, which in turn are consistent with the following safety standards previously set by Canadian, U.S. and international standards bodies:

- ANSI / IEEE C95.1-1999, IEEE Standard for Safety Levels with Respect to Human Exposure to Radio Frequency Electromagnetic Fields, 3kHz to 300 GHz
- National Council on Radiation Protection and Measurements (NCRP) Report 86, -1986, Biological Effects and Exposure Criteria for Radio Frequency Electromagnetic Fields
- Health Canada, Safety Code 6, 1999, Limits of Human Exposure to Radio Frequency Electromagnetic Fields in the Frequency Range from 3 kHz to 300 GHz
- International Commission on Non-Ionizing Radiation Protection (ICNIRP) 1998, Guidelines for limiting exposure to time-varying electric, magnetic, and electromagnetic fields (up to 300 GHz)

| | |
|-------------------------------------|----------------------|
| 4G Sierra Wireless AirPrime EM7455B | FCC ID: EJE-EM7455D5 |
|-------------------------------------|----------------------|



The WWAN module has been evaluated for compliance with FCC/IC RF exposure limits in this laptop configuration. This WWAN module must not be co-located or operated in conjunction with any other antenna or transmitter other than the transmitters that have been approved with this laptop. Use of this device in any other configuration may exceed the FCC RF Exposure compliance limit.

FCC Radio Frequency Exposure statement

The available scientific evidence does not show that any health problems are associated with using low power wireless devices. There is no proof, however, that these low power wireless devices are absolutely safe. Low power wireless devices emit low levels of radio frequency energy (RF) in the microwave range while being used. Whereas high levels of RF can produce health effects (by heating tissue), exposure to low-level RF that does not produce heating effects causes no known adverse health effects. Many studies of low-level RF exposure have not found any biological effects. Some studies have suggested that some biological effects might occur, but such findings have not been confirmed by additional research. The WWAN and the WLAN radio devices have been tested and found to comply with FCC radiation exposure limits set forth for an uncontrolled equipment and meets the FCC radio frequency (RF) Exposure Guidelines in KDB 447498 D01 General RF Exposure Guidance v06

Image Backup and Recovery Procedures

Windows 10 Procedures

It is very important that you create your Recovery Drive before beginning to use your system.

It is also important that you create a backup of the content of *C:\Drivers* on your system to writable media or an external drive. System-specific software drivers are also available for download through the Fujitsu support site.

Note: Most of the information below comes from the Microsoft® page "<http://windows.microsoft.com/en-us/windows-10/windows-10-recovery-options>". Please refer to it for more details.

Creating a recovery drive

A recovery drive can help you troubleshoot and fix problems with your PC, even if it won't start. To create one, all you need is a USB flash drive. Windows will inform you of the size of the USB flash drive needed to hold the required data.

1. From the taskbar, search for *Create a recovery drive* and then select it. You may be asked to enter an administrator password or confirm your selection.
2. When the tool opens, make sure *Backup system files to the recovery drive* is selected and then select Next.
3. Connect a USB drive to your PC, select it, and then select *Next - Create*. A large number of files need to be copied to the recovery drive, so this could take some time.
4. When it's done, select *Finish*.

Note:

If you chose not to back up the system files when you created your recovery drive on Windows 10, you won't be able to use it to reinstall Windows.

Recovery options in Windows 10

If your PC isn't running as quickly or reliably as it used to, try one of these recovery options. The following table can help you decide which one to use.

| Problem | Try this |
|--|---|
| Your PC isn't working well and you recently installed an app, driver, or update. | Restore from a system restore point |
| Your PC isn't working well and it's been a while since you installed anything new. | Reset your PC |
| Your PC won't start and you've created a recovery drive. | Use a recovery drive to reinstall Windows |
| Your PC won't start and you haven't created a recovery drive. | Use installation media to reinstall Windows |

Restore from a system restore point

This option takes your PC back to an earlier point in time, called a system restore point. Restore points are generated when you install a new app, driver, or Windows update, and when you

create a restore point manually. Restoring won't affect your personal files, but it will remove apps, drivers, and updates installed after the restore point was made.

1. Right-click the Start button, and then select *File Explorer*.
2. Select **Alt** and **Up Arrow**.
3. Search *Control Panel for Recovery*.
4. Select *Recovery - Open System Restore - Next*.
5. Choose the restore point related to the problematic app, driver, or update, and then select *Next - Finish*.

Note: If you don't see any restore points, it could be because the system protection isn't turned on. To check, go to the *Control Panel*, search for *Recovery*, and then select *Recovery - Configure System Restore - Configure* and make sure that Turn On System Protection is selected.

Reset your PC

Resetting lets you choose whether to keep your files or remove them, and then reinstalls Windows. To get started, go to *Settings - Update & security - Reset this PC - Get started* and choose an option.

| Option | What it does |
|-------------------|--|
| Keep my files | This reinstalls Windows 10, but keeps your personal files and any apps that came with your PC. It removes: <ul style="list-style-type: none">• Changes you made to settings• Apps and drivers you installed |
| Remove everything | This reinstalls Windows 10 and any apps that came with your PC. It removes: <ul style="list-style-type: none">• Personal files• Changes you made to settings• Apps and drivers you installed If you're planning to donate, recycle, or sell your PC, use this option and choose to fully clean the drive. This might take an hour or two, but it makes it harder for other people to recover files you've removed. |

Use a recovery drive to reinstall Windows

Note: This process utilizes the USB Recovery Drive that you created in the previous section "Create a Recovery Drive".

1. To reset your PC, select *Settings - Update & security - Recovery - Advanced startup - Restart now*. If that doesn't fix the problem, try *Troubleshoot - Recover from a drive*. This will remove your personal files, apps and drivers you installed, and changes you made to settings. If you repartitioned the drive Windows is installed on, note that this will restore the drive's default partitions.

Use installation media to reinstall Windows

If you have installation media, like a Recovery DVD that you purchased from Fujitsu, you can use it to reinstall Windows. You will need to install additional drivers and applications after reinstalling Windows.

To reinstall Windows, follow the steps below:

1. Power on your system. When the Fujitsu logo appears on the screen, press the **F12** key.
2. Insert the bootable disc in your DVD drive.

3. Highlight the CD/DVD option from the Boot Menu and press **[Enter]**.
4. Follow the on-screen instructions to restore the image.
 - Select the language.
 - At the Windows Setup dialog window, enter your OS, language and other preferences and click *Next* to continue.
 - Click *Install now* to proceed with reinstalling Windows.
 - At License terms, check on *I accept the license terms* and click *Next*.
 - At *Which type of installation do you want*, click on *Custom: Install Windows only (advanced)*.
 - Delete all partitions on the drive and click *Next*. Installation of Windows will start. This will take some time so please wait until the installation is finished and the system restarts.
5. When the system restarts, perform all set-up steps to arrive at the Desktop.
6. Connect to the Internet.
7. Use the *Backup of the contents of the C:\Drivers* folder to install needed drivers and applications to your system. If it is not available, download the software from the Fujitsu Support Site, as described below in the "Auto Installation support for the software downloaded from support website" section below.

Installation of essential access software

1. Insert the Recovery Disc in your DVD drive.
2. You can now connect to the internet and download FSDM (Fujitsu Software Download Manager) from the support site and download all the software applicable to the model and OS using FSDM if they are not downloaded yet.

Auto Installation support for the software downloaded from support website

1. Download FSDM (Fujitsu Software Download Manager) from the support site and download all the drivers applicable to the model and OS using FSDM if they are not downloaded yet.
2. When the software packages are downloaded from the web, it is important to download the Auto Installer Software package and the model/language-specific Readme file if you prefer to auto install the software.
3. It is important to have the extracted Auto Installer software package folder and Readme file in the same location as the other software folders. Otherwise auto-installation of the software will not be supported.
4. Inside the Auto Installer software package, launch *FjAutoinstall.exe* as administrator.
5. Click *Yes* on the *User Account Control* dialog box. This will take some time to process the software packages. A message will be displayed during this time stating *Please wait while the content is being processed*.
6. If the EULA is displayed for Fujitsu Software Auto Installer, accept the EULA, otherwise continue.
7. The Fujitsu Software Auto Installer user interface will be launched providing the ability to auto install the software downloaded from the support site.
8. It is recommended that you install all the software in the listed order. You can *Select All*, to install the software in the order listed.
9. Click the *Install* button to start the installation.
10. After installing all the selected drivers, the Installation Results window is displayed. Click *OK*.
11. *You must restart the system for the settings to take effect. Do you wish to reboot now?* message appears. Select *Yes*.
12. The system will now reboot.

Downloading driver updates

To ensure that you always have the most current driver updates related to your system, you should occasionally access the Fujitsu Software Download Manager (FSDM) utility. The FSDM utility is available from the Fujitsu Support site. FSDM will allow you to view and download the most current drivers, utilities and applications to determine whether you have the latest versions. To download the FSDM utility, go to the support site: ["http://www.shopfujitsu.com/CSPortal/support.do?srch=DOWNLOADS"](http://www.shopfujitsu.com/CSPortal/support.do?srch=DOWNLOADS).

Index

- A**
- AC adapter
 - connecting 18
 - Set up 18
 - Acoustic warnings 91
 - Activate/deactivate keyboard backlight 52
 - Alt + Tab 52
 - Anti-theft protection 71
 - Audio connections 81
- B**
- Back tab 53
 - Background lighting 53
 - Backspace 47
 - Backspace key 47
 - Battery 31
 - battery charge 32
 - Caring for and maintaining 31
 - charge level 31
 - Charging 31
 - Discharges too quickly 89
 - see Rechargeable battery 31
 - Service life 31
 - battery charge meter 31
 - before you travel 15
 - BIOS Setup Utility
 - , protecting with password 72
 - calling 82
 - exiting 83
 - operation 82
 - Settings 82
 - Bluetooth, Safety notes 14
 - Bonus Apps 20
- C**
- Camera 31
 - Caps Lock key 48
 - Choose a location 18
 - Cleaning 16
 - Configuration, BIOS Setup Utility 82
 - Configuring hardware 82
 - Configuring system 82
 - Connecting audio devices 81
 - Connecting headphones 81
 - Cradle 38
 - Connecting a Tablet PC 39
 - Ctrl+Alt+Del 53
 - Cursor control 48
 - Cursor keys 48
- D**
- dark touchscreen 86
 - Date not correct 85
 - Declarations of conformity 7
 - Display orientation
 - select 25
 - DOC (INDUSTRY CANADA) NOTICES 100
- E**
- Ending
 - energy saving mode 88
 - Energy
 - Energy saving 14
 - power-saving functions 32
 - Energy saving functions 52
 - Enter 47
 - Enter key 47
 - Error messages on the screen 91
 - Errors
 - Acoustic warnings 91
 - Screen messages 91
 - Ethernet LAN 36
- F**
- F Lock
 - Indicator 51
 - Fault
 - Elimination 84
 - Fingerprint sensor 70
 - configuring 70
 - First-time setup 17
 - Fn key 48
 - Fn+F1 51
 - Fn+F10 52
 - Fn+F2 51
 - Fn+F3 52
 - Fn+F4 52
 - Fn+F5 52
 - Fn+F6 52
 - Fn+F7 52
 - Fn+F8 52
 - Fn+F9 52
 - Fn+space key 52
- G**
- Getting started 17
- I**
- Important notes 13

Incorrect time 85

Indicator

F Lock 51

Information,

safety 13

Instructions

Cleaning 16

K

Key combinations 51

Keyboard 47

Background lighting 53

cleaning 16

Keyboard cover

Connecting a Tablet PC 43

Ports 42

Keys 47

L

Landscape format

display 25

LCD screen

decrease brightness 52

Line feed 47

Loudspeakers

switch off 51

switch on 51

M

Making ready to use 18

Memory card

handling 32

inserting 33

removing 33

microHDMI- port 77

Microphone

switch off 51

switch on 51

Mobile operation 15

Monitor

connection 78

no image 87

remains blank 87

unstable image 87

Monitor connection

see VGA port 78

N

Notes 13

disposal / recycling 99

Energy saving 14

touchscreen 24

Transport 15

Num Lock

indicator 50

Numeric keypad 47

see Virtual numeric keypad 50

O

Operating system

activating system protection 73

cancel system protection 73

Protecting with password 73

P

Packaging 17

Password

changing 72

entering 72

removing 73

Password protection 71

hard disk 74

Pen 26

Portrait format

display 25

Ports 38

Keyboard cover 42

Power

Power consumption 32

Power saving 14

Power-on Power-on indicator 23

Printer does not print 89

Problem solving 84

R

Rechargeable battery

see battery 31

Return 47

S

Safety information 13

Screen brightness

decrease 52

increase 52

Screen connection

see VGA port 78

Security functions 69

SmartCard 75

SystemLock 75

Security Lock

Anti-theft protection 71

using 71

- Service life, battery 31
 - Set up
 - Device 18
 - Setup
 - see BIOS Setup Utility 82
 - Shift 48
 - Shift + Tab 53
 - Shift key 48
 - Slot
 - Memory cards 32
 - Status indicators 21, 51
 - Summer time 85
 - Supervisor password
 - change 72
 - entering 72
 - removing 73
 - Switching off the
 - Tablet PC 24
 - Switching on for the first time 19
 - Symbols
 - indicators 51
 - Indicators 21
 - System settings, BIOS Setup Utility 82
- T**
- Tab key 47
 - Tablet
 - operating 21
 - Tablet PC
 - cannot be started 88
 - cleaning 16
 - doesn't work 88
 - transporting 15
 - Tablet, operation 21
 - Tablet: Switching on 23
 - Technical data
 - AC adapter 97
 - The wireless connection to a network
 - does not work 89
 - Time not correct 85
 - Tips 84
 - Toggle output screen 52
 - Touchpad 45, 52
 - buttons 45
 - cleaning 16
 - dragging items 46
 - executing commands 45
 - moving the pointer 45
 - selecting an item 45
 - switch off 52
 - Touchpad buttons 52
 - Touchscreen
 - cleaning 16
 - difficult to read 86
 - notes 24
 - reflected glare 86
 - remains dark 86
 - TPM 76
 - Transport
 - Damage during transportation 17
 - Transportation 15
 - Travel 15
 - Troubleshooting 84
 - Trusted Platform Module 76
- U**
- USB port with charging function (USB Type C™) 80
 - USB ports 79
 - User password
 - change 72
 - entering 72
 - removing 73
- V**
- VGA port 78
 - Virtual numeric keypad 50
 - Volume
 - decrease 52
 - increase 52
- W**
- Windows key 48
 - Winter time 85
 - Wireless components
 - Safety notes 14
 - switch off 52
 - switch on 52
 - Wireless LAN
 - Safety notes 14
 - Wrong date/time 85