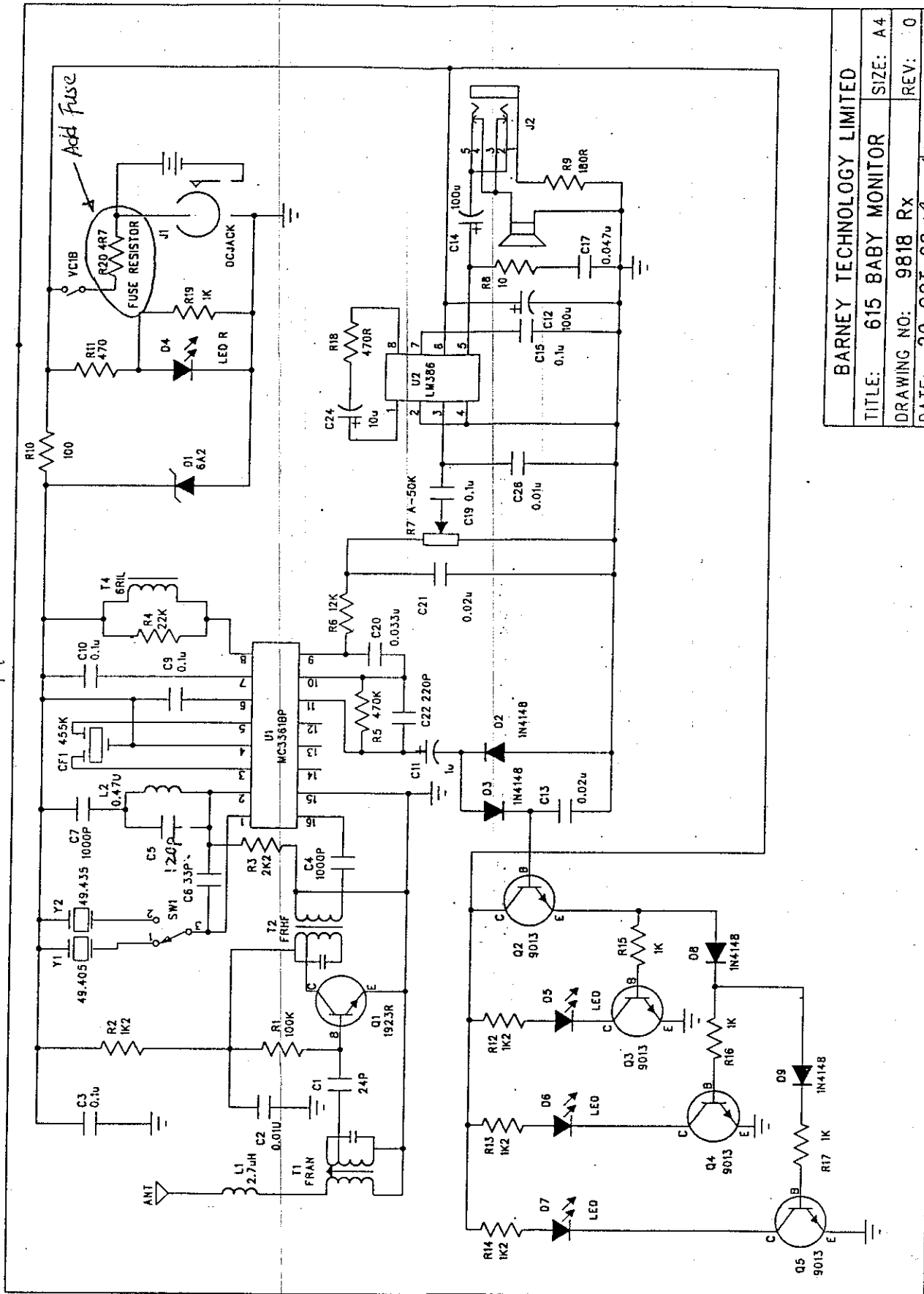


C5 changed to 100pf  
 2/24/98

9818 R0



|                           |               |
|---------------------------|---------------|
| BARNEY TECHNOLOGY LIMITED |               |
| TITLE: 615 BABY MONITOR   | SIZE: A4      |
| DRAWING NO: 9818 RX       | REV: 0        |
| DATE: 20 OCT 98           | SHEET: 2 OF 2 |