

Intermec Technologies Corporation

EMC Test Lab

DOC. NO.: 577-500-976

RIM R802D-2-O Radio, 6100, 6600, SAR Portable, Appendix B, Label and Placement Diagrams

FCC ID: EHAWANRIM802

REPORT NO: 20010120-1

Page 1 of 4

MEASUREMENT/TECHNICAL REPORT



Technologies Corporation

EMC Test Laboratory

Cedar Rapids, IA

Intermec Technologies Corporation

Cellular Radio Module

OEM From RIM 802

REPORT NO: 20010120-1

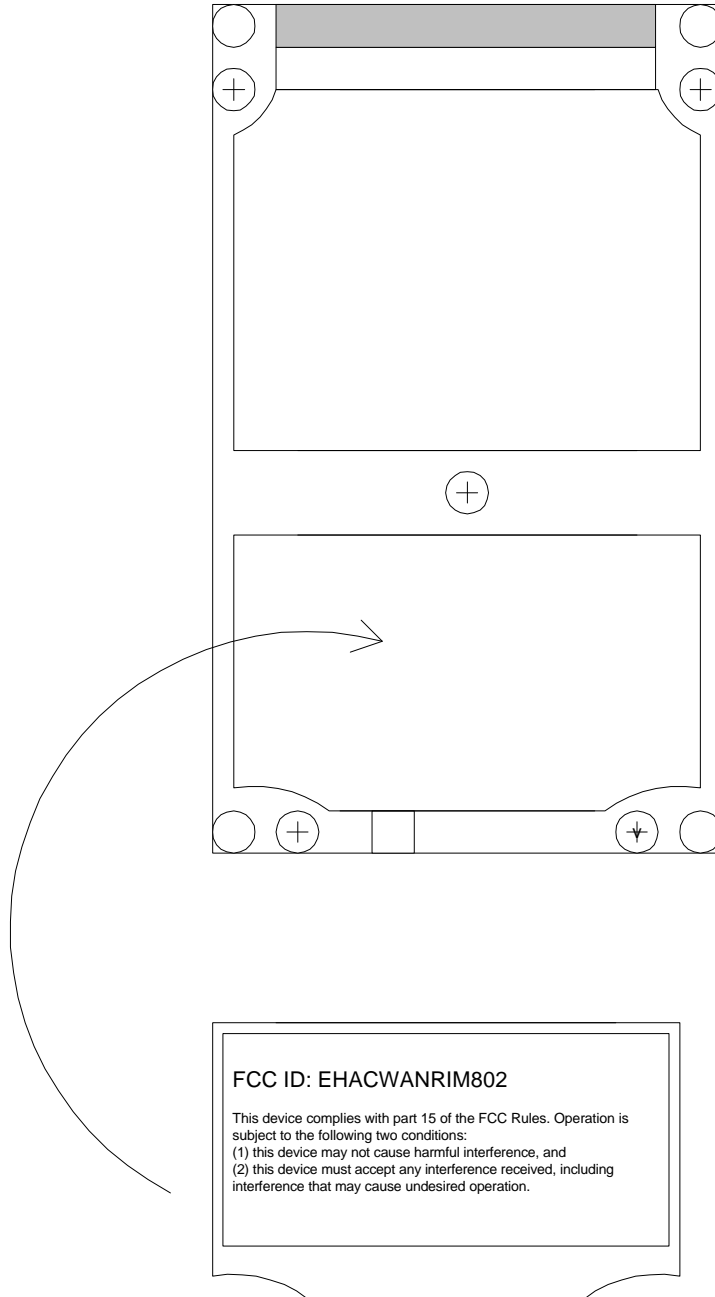
DATE: January 20, 2001

APPENDIX B

LABEL AND PLACEMENT DIAGRAMS

Label Placement and Label Diagram

Radio Assembly



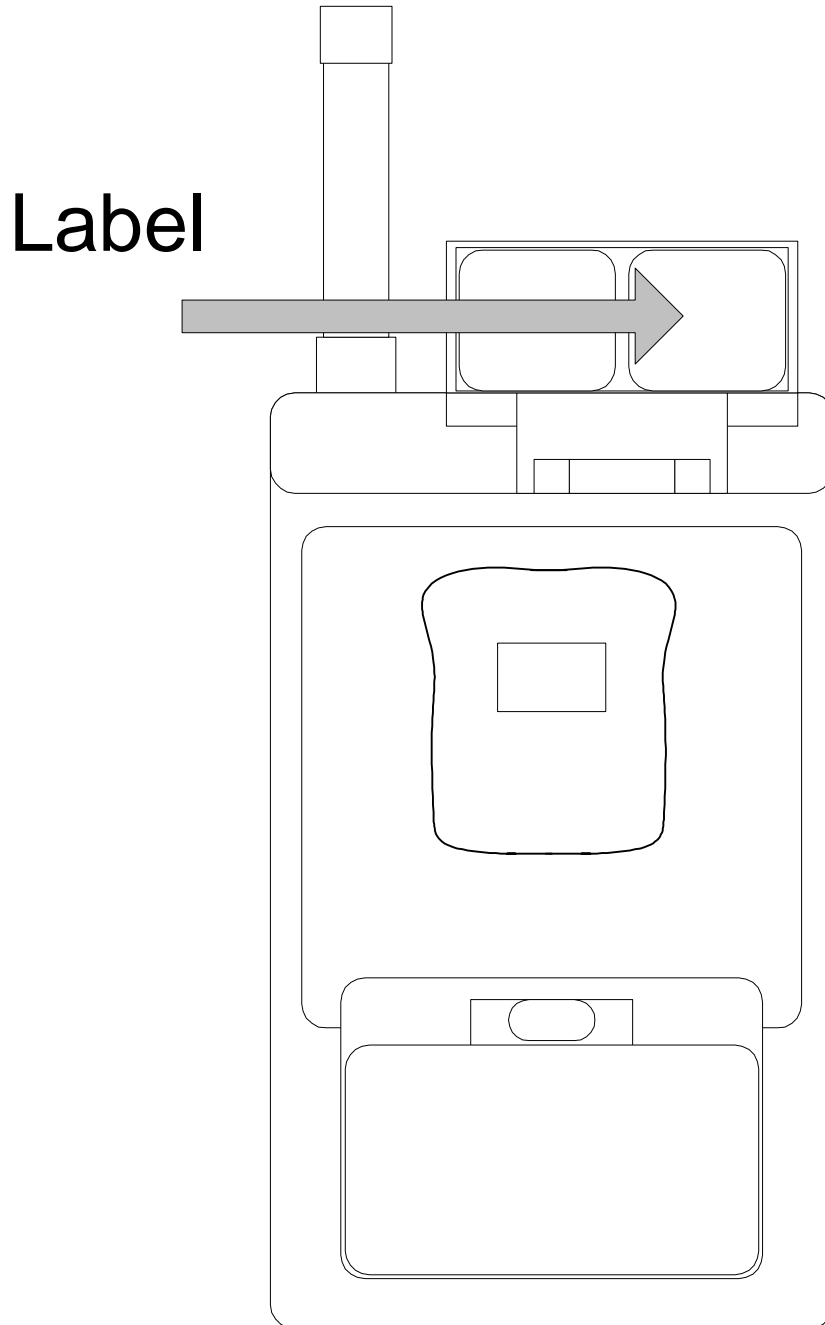
FCC ID: EHACWANRIM802

This device complies with part 15 of the FCC Rules. Operation is subject to the following two conditions:
(1) this device may not cause harmful interference, and
(2) this device must accept any interference received, including interference that may cause undesired operation.

Label

Label Placement (Inside Customer Accessible Memory Card Door)

Label is placed next to ARDIS serial number label required for cellular phone provider access.



Label

