

MEASUREMENT/TECHNICAL REPORT



Intermec Technologies Corporation RF Identification (RFID) 2450 PC Card –5 2.4 GHz Spread Spectrum Transmitter

REPORT NO: 010312-1

DATE: March 12, 2001

This report concerns: Original Grant <input checked="" type="checkbox"/> Class II change <input type="checkbox"/>	
Equipment Type: 2400- 2483.5 MHz Frequency Hopping Spread Spectrum Transceiver, FCC 15.247 Industry Canada RSS-210 Issue 4, RSS-102 Issue 1	
Request issue of the grant immediately upon completion of review.	
Measurement procedure used: ANSI C63.4-1992 and as described within this test report.	
Report Prepared by: Dave Fry Intermec Technologies Corporation EMC Test Lab 550 Second Street SE Cedar Rapids, Iowa 52401 Phone: (319) 846-2415 FAX: (319) 846-2475	Report Prepared For: John Jorgenson Intermec Technologies Corporation 550 Second Street SE Cedar Rapids, Iowa 52401 Phone: (319) 369-3100 FAX: (319) 369-3453

This report contains data that is outside the NVLAP scope of accreditation.

This report shall not be reproduced, except in full, without the permission of Intermec Technologies Corporation, EMC Test Laboratory, Cedar Rapids, IA.

TABLE OF CONTENTS

SECTION NUMBER

- 1.0 Compliance Certification
 - 1.1 Measurement Uncertainties
- 2.0 General Information
 - 2.1 Product Description
 - 2.2 Related Submittal(s)/Grant(s)
 - 2.3 Tested System Details
 - 2.4 Test Methodology
 - 2.5 Test Facility
- 3.0 Product Labeling and Information to the User
 - 3.1 Product Labeling and Placement
 - 3.2 Information to the User
- 4.0 Theories of Operation
- 5.0 Schematics
- 6.0 Conducted and Radiated Emission Test Data
- 7.0 Equipment List

APPENDIXES (may be file attachments for electronic applications of approval)

- A. 010312A1.xxx Conducted and Radiated Measurement Photos
- B. 010312B1.xxx Photographs of Equipment (Radio and Antennas)
- C. 010312C1.xxx Transmitter conducted plots, 20 dB BW, Number of Channels, Ch. Occupancy
- D. 010312D1.xxx Transmitter conducted plots, Out of Band Emissions
- E. 010312E1.xxx AC power line conducted emissions plots
- F. 010312F1.xxx TX radiated emissions data, module horz, Huber Suhner 3.5 dBi antenna
- G. 010312G1.xxx TX radiated emissions data, module vert, Huber Suhner 3.5 dBi antenna
- H. 010312H1.xxx TX radiated emissions data, module horz, Z-comm. 5.0 dBi antenna
- I. 010312I1.xxx TX radiated emissions data, 6110 horz, 0-dBi internal patch antenna
- J. 010312J1.xxx TX radiated emissions data, 6110 vert, 0-dBi internal patch antenna
- K. 010312K1.xxx Theory of Operation
- L. 010312L1.xxx Schematics and Parts Placement
- M.010312M1.xxx 2450 PC Card-5 Users Manual and DoC insert
- N. 010312N1.xxx 6110 Users Manual and DoC insert
- O. 010312O1.xxx CellTech Research SAR Reports, 6110 and Laptop Remote Antennas

xxx = file extension .doc or .pdf

1.0 COMPLIANCE CERTIFICATION

The electromagnetic compatibility test and data evaluations findings of this report have been prepared by the EMC Test Lab, Intermec Technologies Corporation, in accordance with applicable specifications instructions required per-

<u>FCC SECTION</u>	<u>CANADA RSS-210</u>	<u>TEST NAME</u>
15.33, 15.35	4.0	Range of Meas., Meas. Detectors
15.15, 15.31	5.3, 5.8, 9.0, 11.0	General Requirements, Meas. Methods
15.203, 15.204	5.5	Antenna Description(s)
2.925, 15.19	5.10	Labeling
15.21	5.11, 14.0	Information to the User
15.247 (a, b, c, d, e), 15.209	5.7-5.9.2	Transmitter Characteristics
15.215	6.4	Freq. & Power Stability, Volts
15.109	7.3	Receiver Radiated Emissions
15.207, 15.107	6.6, 7.4	AC Line Conducted Emissions
1.1307 (b)(1)	14.0 & RSS-102	RF Safety, Exposure Limits

The data, data evaluation and equipment configuration represented herein are a true and accurate representation of the measurements of the test sample's electromagnetic compatibility characteristics as of the dates and at the times of the test under the conditions herein specified. The data presented herein is traceable to the National Institute of Standards and Technology.

This report is not an endorsement of the tested product by NVLAP or any agency of the U.S. Government.



Accredited by the National Institute of Standards and Technology, National Voluntary Laboratory Accreditation Program for the specific scope of accreditation under Lab Code 100269-0.

**Intermec Technologies Corporation
 EMC Test Laboratory
 550 Second Street S.E.
 Cedar Rapids, Iowa 52401**

The scope of accreditation at the EMC Test Laboratory is limited to NVLAP codes:

- 12/CIS22 IEC/CISPR 22:1993: Limits and methods of measurement of radio disturbance characteristics of information technology equipment.
- 12/CIS22a IEC/CISPR 22:1993: Limits and methods of measurement of radio disturbance characteristics of information technology equipment, Amendment 1:1995, and Amendment 2:1996.
- 12/CIS22b CNS 13438:1997: Limits and methods of measurement of radio disturbance characteristics of information technology equipment.
- 12/F01 FCC Method - 47 CFR Part 15 - Digital Devices. 12/F01a Conducted Emissions, Power Lines, 450 kHz to 30 MHz. 12/F01b Radiated Emissions.
- 12/T51 AS/NZS 3548: Electromagnetic Interference - Limits and Methods of Measurement of Information Technology Equipment.



Interference Technology International

Dave Fry
 Regulatory Engineer II

Date 05/22/01
 mm/dd/yy



National Association of Radio and Telecommunications Engineers

John Jorgenson
 Staff RF Engineer

Date _____
 mm/dd/yy

1.1 Measurement Uncertainties:

Radiated Emissions On 3 Meter Open Area Test Site

- 0-90 MHz has an Expanded Measurement Uncertainty of +/- 3.42 dB.
- 90-200 MHz has an Expanded Measurement Uncertainty of +/- 3.33 dB.
- 200-1000 MHz has an Expanded Measurement Uncertainty of +/- 4.76 dB.
- 1-2 GHz has an Expanded Measurement Uncertainty of +/- 2.54 dB.
- 2-12.5 GHz has an Expanded Measurement Uncertainty of +/- 3.62 dB.
- 12.5-18 GHz has an Expanded Measurement Uncertainty of +/- 4.02 dB.

Radiated Emissions On 1 Meter Open Area Test Site

- 1-2 GHz has an Expanded Measurement Uncertainty of +/- 4.28 dB.
- 2-12.5 GHz has an Expanded Measurement Uncertainty of +/- 4.88 dB.
- 12.5-18 GHz has an Expanded Measurement Uncertainty of +/- 5.18 dB.
- 18-26.5 GHz has an Expanded Measurement Uncertainty of +/- 5.72 dB.

Receiver and Transmitter Conducted Generator Substitution Measurements with HP83630A RF Generator, HP8566B Spectrum Analyzer and HP85685A Preselector

- 0-2.0 GHz has an Expanded Measurement Uncertainty of +/- 0.84 dB..
- 2.0-5.8 GHz has an Expanded Measurement Uncertainty of +/- 1.07 dB.
- 5.8-20 GHz has an Expanded Measurement Uncertainty of +/- 1.28 dB.
- 20-22 GHz has an Expanded Measurement Uncertainty of +/- 1.78 dB.

Receiver and Transmitter Direct Conducted Measurements using HP8566B Spectrum Analyzer and HP85685A Preselector

- 0-1.0 GHz has an Expanded Measurement Uncertainty of +/- 1.26 dB.
- 1.0-2.0 GHz has an Expanded Measurement Uncertainty of +/- 1.28 dB.
- 2.0-5.8 GHz has an Expanded Measurement Uncertainty of +/- 2.12 dB.
- 5.8-12.5 GHz has an Expanded Measurement Uncertainty of +/- 2.45 dB.
- 12.5-20 GHz has an Expanded Measurement Uncertainty of +/- 2.94 dB.
- 20-22 GHz has an Expanded Measurement Uncertainty of +/- 3.76 dB.

AC Line Conducted

- 0.15-30 MHz has an Expanded Measurement Uncertainty of +/- 1.34 dB.

Confidence Statement

- The measurement uncertainty statements above use a Coverage Factor $K = 2$.
- The Coverage Factor $K = 2$ equates to an approximate confidence level of 95%.

2.0 GENERAL INFORMATION

2.1 Product Description

This report addresses Certification for a type 2 PCMCIA spread spectrum radio module operating in the 2400 – 2483.5 MHz radio band. The 2450 PC Card –5 is a radio used for reading and writing to RF Identification (RFID) tags operating in the same frequency band.

The 2450 PC Card –5 radio is used within various mobile and laptop computers as well as within stationary units that interfaces to mainframe computers other terminal devices.

The 2450 PC Card –5 radio is manufactured by Intermec Technologies Corporation and will be marketed as an OEM radio to other companies with the possibility of re-labeling. The conditions of re-labeling will address modification restrictions and antennas restrictions to inform the end user of their regulatory requirements and responsibilities.

This report shows the PC card as a stand-alone module to show the radio is designed to comply with the FCC and Canadian requirements without any additional shielding or filtering. The test data within shows radio characteristics when used with 3 high gain antennas. All antennas marketed by Intermec for the 2450 PC Card –5 radio satisfies the unique connection requirements outlined in the FCC and Canada rules.

The PC Card is intended for global marketing therefore must comply to the CISPR 22 (EN55022) Class B digital emissions. The Intermec, Cedar Rapids, EMC Test Lab will perform testing for compliance for digital emissions to the CISPR 22 Class B limits and issue separate reports addressing the integration in Intermec products as well a report showing use in a laptop computer. Based on these tests and reports the Class B Declaration of Conformity can be used for United States marketing. Canada will accept a self-declaration for compliance to ICES-003.

The radio module shown herein is a production model. The antennas listed herein are also pre-production versions.

Z-Communication Corporation purchased Trango Antenna Systems during our radio development. The references to Z-Comm or Trango antennas made throughout these reports indicate the same 5.0 dBi antenna.

2.2 Related Submittal(s)/Grants(s) None.

2.3 Tested Systems Details

Items tested:			
Model Number (Serial Number)	FCC ID:	Description	Cable Description
2450 PC Card –5 Radio PCB PN: 144-886-003 SN: D	EHARFID2450PCC–5	Type II PCMCIA frequency hopping spread spectrum	Module testing shown in PCMCIA extension. Antenna cables represent the shortest versions used.
Dell Expression Lap-top PN: 04949 SN: 2RVX-5180	AK8PD475SC	Host computer	No peripherals or cables attached to show maximum radio emissions.
Dell Charger PN: 73463 SN: T4037851	-	universal charger	detachable shielded AC cord, unshielded DC cable to mobile computer
6110 Config:6400A151200504 SN: 90090800540	not applicable FCC DoC	mobile computer	No peripherals or cables attached to show maximum radio emissions. Integral patch T-Com antenna
6110 Charger PN: SN:	-	universal charger	detachable shielded AC cord, unshielded DC cable to mobile computer
Antennas tested for this report that will be used with the 2450 PC Card –5 radio:			
Integral Patch Antenna for 6110 PN: 805-573-001 Mfg PN: 505156E	-	T-Com 0 dBi panel antenna	8 centimeter (3 inch) RG316 with MMCX miniature connectors. This antenna will be integrated within the mobile computers.
High Gain Panel Antenna PN: 805-576-001 Mfg PN: SPA 2400/70/9/0/CP	-	Huber Suhner 3.5 dBi panel antenna	122 centimeter (4 feet) RG316 with MMCX miniature connectors.
High Gain Panel Antenna PN: Not Available Mfg PN: ANT2500-10-R	-	Z-Communications (Trango) 5.0 dBi panel antenna	122 centimeter (4 feet) RG316 with MMCX miniature connectors.

2.4 Test Methodology

This section addresses the following:

FCC Sections 15.15 General Requirements, 15.31 Measurement Standards, 15.33 Range of Measurement, and 15.35 Measurement Detectors

Industry Canada RSS-210 sections; 4.0 Instrumentation, 5.3 Test Method, 5.8 Measurement Bandwidths, 5.17, Digital Circuits Emissions, 6.3 Restricted Bands and Unwanted Emissions Frequencies, 9.0 AC Wireline Conducted Measurement Method, 11.0 Radiation Measurement Method

Per FCC rules 15.31 (k) the measurements on an intentional radiator operating over a range greater than 10 MHz requires testing on channels at the bottom, middle and top of the range of operation.

The test software of the 2450 PC Card –5 radio is capable of operating the radio continuously in transmit modes locked on channel or hop using a pre-programmed pseudo-random hop sequence. The test software is set to operate on channel 02, 41 or 80. The transmitter test sends pseudo-random data continuously or CW on the selected channel.

Channel 02 transmit = 2402 MHz
Channel 41 transmit = 2441 MHz
Channel 80 transmit = 2480 MHz

These channels represent the low, middle and highest channels of operation within the band of 2400 – 2483.5 MHz.

Per FCC regulations the transmitter emissions are measured to the 10th harmonic, or 24.8 GHz. Canadian regulations for transmitters require testing to the 5th harmonic. Receiver emissions are not presented here because the receiver is enabled with the transmitter during operation. All testing of the transmitter includes any spurious emissions the receiver may generate.

Where possible ANSI C63.4, 1992 is referenced during radiated and AC wireline conducted emissions testing. Details on measurement equipment, set-up, test details and calculations are presented within each specific test section.

Radiated emissions below 1000 MHz are tested at a three-meter distance using a Quasi-Peak detector with a 120 kHz measurement bandwidth (BW).

Emissions above 1000 MHz are tested at one-meter measurement distance with a preamplifier to improve the measurement sensitivity. Above 18 GHz measurements are made within the instrumentation room because the excessive cable losses for the open area test site cable will not show emissions measurements below the specified limit. Manual product positioning at a half-meter distance is used to locate any potential emissions above 18 GHz. The antenna and product heights are then positioned to maximize any emissions discovered with the final measurement made at a one-meter distance.

Average measurements above 1000 MHz are made with a spectrum analyzer on a 100 MHz span with Resolution BW 1 MHz and Video BW of 3 kHz. Peak measurements are made using the spectrum analyzer on a 100 MHz span with Resolution BW and Video BW of 1 MHz, these settings are detailed on the spreadsheet test results.

Measurements or limits are corrected for distance by using the inverse linear distance extrapolation, 20 dB/decade.

Refer to the photographs in appendix A and test setup figures in section 6 for details.

2.5 TEST FACILITY:

The location of the open area test site and conducted measurement facility used to collect the radiated data is 90 West Cemetery Road, Fairfax, Iowa 52228. This site has been fully described in report number 577-500-971, dated November 6, 2000, and submitted to the Federal Communication Commission USA, and accepted in a letter dated December 8, 2000 for ANSI C63.4: 1992 testing. The test site was also submitted to Industry Canada for the performance of radiated measurements and is reference by the file number IC 3909. Test site complies too CISPR Publication 22: 1993, Clauses 10 and 11 for methods of measurements for radiated and conducted emissions testing.

3.0 PRODUCT LABELING AND INFORMATION TO THE USER

3.1 PRODUCT LABELING

See the following diagrams showing the labels for the radio module as well as placements.

Module label



Label

Placement on the radio module



3.2 INFORMATION TO THE USER

The appendixes M and N show the compliance insert for the stand-alone 2450 PC Card (010312M1.xxx) and the 6110 handheld terminal (010312N1.xxx). These documents inserts are shipped with each product.

4.0 THEORIES OF OPERATION

Proprietary Intermec Technologies document. Confidentiality requested for this document. See appendix K. 010312K1.xxx

5.0 SCHEMATICS

Proprietary Intermec Technologies document. Confidentiality requested for this document. See appendix L. 010312L1.xxx

6.0 CONDUCTED AND RADIATED EMISSIONS TEST DATA

The following tests and results are recorded within this section.

Antenna Description

Frequency Hopping Spread Spectrum (FHSS) 20 dB Bandwidth

FHSS Transmitter Duty Cycle

FHSS Channel Occupancy and Dwell Time

Peak Output Power

Out of Band Emissions, Transmitter Conducted and Radiated

Frequency and Power Stability Across Voltage

Receiver Radiated Emissions

AC Wireline Conducted Emissions

RF Safety, Exposure Limits

EQUIPMENT: 2450 PC Card –5 Radio Module

NAME OF TEST: Antenna Description

FCC RULE NUMBER: 15.203, 15.204

CANADA RSS-210 Par.: 5.5

MINIMUM STANDARD:

An intentional radiator shall be designed to ensure that no antenna other than that furnished by the responsible party shall be used with the device. The use of a permanently attached antenna or of an antenna that uses a unique coupling to the intentional radiator shall be considered sufficient to comply with the provisions of this Section. The manufacturer may design the unit so that the user can replace a broken antenna, but the use of a standard antenna jack or electrical connector is prohibited.

Antenna Gain in excess of 6 dBi shall be added to the measured RF power before using the specified power limits.

TEST PROCEDURE: Inspection

TEST EQUIPMENT: Not applicable

PERFORMED BY: Dave Fry Date: April 16, 2001

SET UP: Not applicable

TEST RESULTS:

The antennas for the 2450 PC Card –5 radio interface using a miniature MMCX connector. The remote antennas are provided from their suppliers with these miniature coaxial connectors. Antennas sold for the 2450 PC Card –5 will only be offered through Intermec Technologies.

In the event the radio is marketed as an OEM device to another system integrator, antenna types and connector restrictions will be communicated to re-seller. Their regulatory obligations will be made clear as a condition for re-selling and or re-labeling of the 2450 PC Card.

The highest antenna gain Intermec Technologies is offering for sale is + 5.0 dBi. The transmitter peak power is +30.0 dBm. Adding the antenna gain to the transmitter power totals +35.0 dBm. This total is –1.0 dB below the maximum ERP of +36 dBm allowed under FCC or Industry Canada rules.

Antenna Descriptions: Antennas for the 2450 MHz PCMCIA RFID reader

Measuring the complex plane-wave field along the real axis of vertical or horizontal, we realize a polarization isolation of $p=|1/2^{1/2}(x+jy)*y|^2=0.5$ or -3 dB where x and y are orthogonal components in the complex plane-wave field. In addition, the attenuation of M17/113-RG316 at 2.5 GHz is 1.65 dB/meter. Thus, the effective antenna gains are:

The Huber Suhner antenna, Intermec part number 805-576-001, for remote use is a SPA 2400/70/9/0/CP right-hand circular polarized element. It comes attached to 1.22 meters (4 ft) of M17/113-RG316 coax cable terminated into a MMCX male connector. The circular gain of the element is +8.5 dBic (decibels isotropic circular). 50 Ohms, VSWR 1.5: 1. 101 x 95 x 32 mm. Cable loss -2.0 dB, polarization isolation -3.0 dB equals and effective linear gain of +3.5 dBi.

The Z-Comm antenna, Intermec part number (not assigned), for remote use is an ANT2500-10-R right hand circular polarized element. It comes attached to 1.22 meters of M17/113-RG316 coax cable terminated into an MMCX male connector. The circular gain of the element is +10 dBic. 50 Ohms, VSWR 2.0: 1. 117 x 100 x 20 mm. Cable loss -2.0 dB, polarization isolation -3.0 dB equals and effective linear gain of +5.0 dBi.

The T-Com, Intermec part number 805-573-001, 6110 internal antenna, uses a 505156E right hand circular polarized element. It comes attached to 3 inches of RG178 cable terminated with a right angle MMCX male connector. The circular gain of the element is +3 dBic. 50 Ohms, VSWR 2.0: 1. 62 x 22 x 4 mm. Cable loss 0 dB, polarization isolation -3.0 dB equals and effective linear gain of 0 dBi.

EQUIPMENT: 2450 PC Card –5 Radio Module

NAME OF TEST: Bandwidth, Number of Channels, Duty Cycle and Occupancy

FCC RULE NUMBER: 15.247 (a)(1)(ii)

CANADA RSS-210 Par.: 6.2.2 (o)

MINIMUM STANDARD:

(a)(1) Frequency hopping systems shall have hopping channel carrier frequencies separated by a minimum of 25 kHz or the 20 dB bandwidth of the hopping channel, whichever is greater. The system shall hop to channel frequencies that are selected at the system hopping rate from a pseudorandomly ordered list of hopping frequencies. Each frequency must be used equally on the average by each transmitter. The system receivers shall have input bandwidths that match the hopping channel bandwidths of their corresponding transmitters and shall shift frequencies in synchronization with the transmitted signals.

(ii) Frequency hopping systems operating in the 2400-2483.5 MHz and 5725-5850 MHz bands shall use at least 75 hopping frequencies. The maximum 20-dB bandwidth of the hopping channel is 1 MHz. The average time of occupancy on any frequency shall not be greater than 0.4 seconds within a 30-second period.

TEST EQUIPMENT: Spectrum Analyzer HP 8566B
Attenuator HP 8491-20 dB

PERFORMED BY: Dave Fry Date: April 9, 2001

TEST PROCEDURE:

Note: The radio module utilizes internal test software to generate a transmitter pattern of random ones and zeros in either selected channel or hopping mode.

1. Using the test setup of figure 1, adjust the spectrum analyzer to sweep from 2.4 -2.4835 GHz with a resolution bandwidth of 1 MHz. Set the transmitter for hopping mode channels 2-80. Peak hold and plot showing channel utilization.
2. Using the test setup of figure 1, adjust the spectrum analyzer to 2 MHz span centered at 2.402 GHz with a resolution and video bandwidth of 30 kHz. Enable the transmitter to selected channel 01 and peak hold the analyzer. Indicate the 20-dB bandwidth using Δ markers. Plot and identify the marker positions. Repeat for channels 41 and 80.

3. Adjust the analyzer to span 0 Hz at 2.441 GHz with resolution bandwidth of 30 kHz and video bandwidth of 30 kHz. Activate the transmitter in hopping mode. Using single 4 second sweep select a display showing channel 41 keyed up on the transmitter. Utilizing the Δ function indicate the time between transmissions on channel 41 and plot.
4. Adjust the analyzer for a 100 milli-second sweep time and use video trigger. Place the marker on the end of the transmitter on time. Plot the transmit time to show the transmitter duty cycle.

MEASUREMENT DATA:

79 channels are utilized within the allowed spectrum. The worst case 20 dB channel bandwidth was 281 kHz for channel 02 of the transmitter. The time between hops on a selected channel is 3.308 seconds. The average number of hops in a 30-second period will be 9.07. The time spent on each channel is 41.4 milli-seconds (msec). The average time in an average 30-second window will be 375.5 msec. See the plots from the spectrum analyzer on appendix C.

TEST EQUIPMENT: Spectrum Analyzer HP 8566B
 Attenuator HP 8491- 20 dB

PERFORMED BY: Dave Fry Date: April 9, 2001

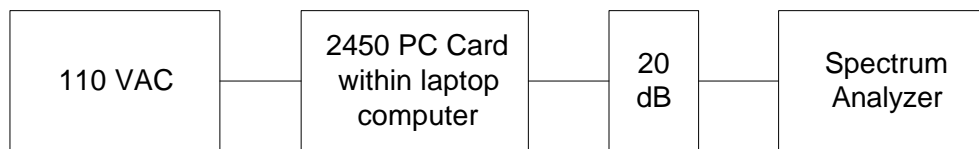


Figure 1.

TEST RESULTS: Conforms. The transmitter has an operating bandwidth less than 1.0 MHz. The transmitter is on frequency less than 0.4-seconds in an average 30-second period. See appendix C (010312C1.xxx) for plots.

See Appendix K (010312K1.xxx) for details on radio hopping sequences and conditions for transmission interruption and restarting to address the equal usage of each channel on average.

Frequency, Channel Number	2402 MHz, low Ch. 02	2441 MHz, mid Ch. 41	2480 MHz, high Ch. 80
B.W. kHz	280.7	281.5	274.7

EQUIPMENT: 2450 PC Card –5 Radio Module

NAME OF TEST: Peak Power Output

FCC RULE NUMBER: 15.247 (b)(1)(3)

MINIMUM STANDARD:

(b) The maximum peak output power of the intentional radiator shall not exceed the following:

I. For frequency hopping systems operating in the 2400–2483.5 MHz or 5725–5850 MHz band and for all direct sequence systems: 1 watt.

(3) Except as shown in paragraphs (b)(3) (i), (ii) and (iii) of this section, if transmitting antennas of directional gain greater than 6 dBi are used the peak output power from the intentional radiator shall be reduced below the stated values in paragraphs (b)(1) or (b)(2) of this section, as appropriate, by the amount in dB that the directional gain of the antenna exceeds 6 dBi.

CANADA RSS-210 Par.: 6.2.2(o)

MINIMUM STANDARD:

(a3) For the band 2400-2483.5 MHz, the transmitter output power shall not exceed 1.0 watt. See (d) below for special conditions.

(d) Special Conditions (Applicable to the Bands 2400-2450 and 2450-2483.5 MHz)

(d1) The 2400 - 2450 MHz band is used in Canada by the radio relay fixed and other services on a licensed basis. Spread spectrum systems (DS or FH) operating in this band (i.e. the 20 dB bandwidth falling fully or partly into this sub-band) may be subject to licensing and so the standard RSS-139 will apply for the purpose of equipment certification except as provided below.

When **ALL** the following conditions are met, RSS-210 can be used for equipment certification:

- it is designed for indoor use only (e.g. in non-waterproof casings), and
- the spectral density shall not exceeding 50 milliwatts per MHz. (**Note:** Spectral density = transmitter output power in milliwatts at antenna terminals divided by the spread spectrum (SS) bandwidth in MHz for direct sequence systems. For Frequency Hopping: SS bandwidth = Channel Bandwidth multiplied by Number of Distinct Frequencies in the hopset).
- the device's **label** or the **user manual** contains this statement (or equivalent): *"To prevent radio interference to the licensed service, this device is intended to be operated indoors and away from windows to provide maximum shielding. Equipment (or its transmit antenna) that is installed outdoors is subject to licensing."*

TEST PROCEDURE:

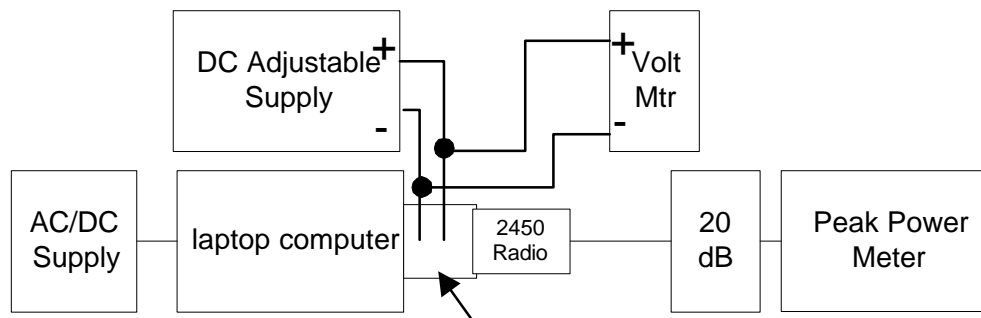
Note: The 2450 PC Card –5 radio utilizes internal test software to generate a transmitter pattern of random ones and zeros. The transmitter channels represent the low, mid and high for operation in North American.

- (1) Verify the calibration on the power meter and attenuator then setup the test as in figure 2.
- (2) Set DC supply to +5.00 volts. Activate the transmitter on the low channel, 2420 MHz, and record the peak output power observed on the power meter. Repeat for 4.75 and 5.25 volts
- (3) Repeat 1 and 2 using the middle and high channels, 2441 and 2480 MHz.

TEST EQUIPMENT:	Power Meter	Giga-Tronics 8541
	Attenuator	HP 8491-20 dB
	DC Supply	Tek PS282
	Voltmeter	Fluke 77

PERFORMED BY: Dave Fry Date: April 16, 2001

SET UP:



PCMCIA Extension with
5V cut for external supply

Figure 2.

TEST RESULTS:

Conforms. The transmitter has transmitter peak power of 28.9 dBm or 776 milliwatts. This is 224 milliwatts below the 1 watt limit. Intermec is specifying the transmit power over the production run to be +29 dBm +1dB/-2dB. The power measured for this particular radio is to be considered typical for most of the radios manufactured.

Antennas to be used with the transmitter have a highest gain of +5.0 dBi. The total system Effective Radiated Power is calculated as:

$$T_p + A_g = \text{EIRP}$$

$$30 + 5.0 = 35 \text{ dBm or } 3.16 \text{ watts EIRP}$$

$$\text{Transmitter Power} = T_p \text{ (dBm)}$$

$$\text{Antenna Gain} = A_g \text{ (dBi)}$$

$$\text{Effective Radiated Power} = \text{EIRP (dBm and watts)}$$

Specified limit is calculated as:

$$30 T_p + 6 A_g = +36 \text{ dBm or } 4 \text{ watts EIRP}$$

MEASUREMENT DATA:

Conducted measurement at the antenna connector. PC Card voltage +5.00

Freq. / Channel	Power Meter Reading (dBm)	Attenuation (dB)	Calculated Power (dBm)	Margin below +30 dBm Limit (dB)
2402 MHz / Ch. 02	7.7	20.8	28.5	-1.5
2441 MHz / Ch. 41	8.1	20.8	28.9	-1.1
2480 MHz / Ch. 80	8.1	20.8	28.9	-1.1

Conducted measurement at the antenna connector. PC Card voltage +4.75

Freq. / Channel	Power Meter Reading (dBm)	Attenuation (dB)	Calculated Power (dBm)	Margin below +30 dBm Limit (dB)
2402 MHz / Ch. 02	7.7	20.8	28.5	-1.5
2441 MHz / Ch. 41	8.1	20.8	28.9	-1.1
2480 MHz / Ch. 80	8.1	20.8	28.9	-1.1

Conducted measurement at the antenna connector. PC Card voltage +5.25

Freq. / Channel	Power Meter Reading (dBm)	Attenuation (dB)	Calculated Power (dBm)	Margin below +30 dBm Limit (dB)
2402 MHz / Ch. 02	7.7	20.8	28.5	-1.5
2441 MHz / Ch. 41	8.1	20.8	28.9	-1.1
2480 MHz / Ch. 80	8.1	20.8	28.9	-1.1

EQUIPMENT: 2450 PC Card –5 Radio Module

NAME OF TEST: Out of Band Emissions

FCC RULE NUMBER: 15.247 (c)

MINIMUM STANDARD:

(c) In any 100 kHz bandwidth outside the frequency band in which the spread spectrum intentional radiator is operating, the radio frequency power that is produced by the intentional radiator shall be at least 20 dB below that in the 100 kHz bandwidth within the band that contains the highest level of the desired power, based on either an RF conducted or a radiated measurement. Attenuation below the general limits specified in Section 15.209(a) is not required. In addition, radiated emissions which fall in the restricted bands, as defined in Section 15.205(a), must also comply with the radiated emission limits specified in Section 15.209(a) (see Section 15.205(c)).

CANADA RSS-210 Par.: 6.2.2, (o)(e1)

MINIMUM STANDARD:

(e1) **Out of Band Emissions:** In any 100 kHz bandwidth outside the operating frequency bands, between 30 MHz and 5 times the carrier frequency, the unwanted emission spectral density shall be either at least 20 dB below the inband spectral density, or shall not exceed the levels specified in Table 3, whichever is less stringent. **Note:** For frequency hopping systems, the inband density S_i shall be measured with the hopping sequence stopped at the lowest channel and the highest channel in turn, as well as with the hopping running normally. The 20 dB shall be with reference to the lowest of the three S_i values.

TEST PROCEDURE:

1. Determine the cable loss and actual attenuator values for the measurement system at 2441 MHz. Use this value to calculate the in-band peak power and the limit. The limit calculated will be used to identify the limit on the conducted spurious emissions plots.

Attenuator and cable loss	20.8 dB
In-band peak measured	+7.0 dBm
Calculated in-band power	+27.8 dBm
Limit	-20.0 dB
Limit (Generator Sub.)	+7.8 dBm

2. Using the setup diagramed in figure 3, record the conducted emissions of the transmitter. Plot the near band emissions on a 139.15 MHz span centered on 2441.75 MHz using 100 kHz video and resolution bandwidths. Enable the end channels and recording the delta from the peak of each channel to the highest emission outside the allowable band. Plot the low channel in black and the highest channel in red. Placing the highest inband peak on the top graticule of the spectrum analyzer best shows the limit for the near-band plots, the limit is 20 dB down from the inband peak.

3. Detail the near band-edge emissions by centering each specified band edge (plus and minus 4 MHz) and plot on a 20 MHz span. Show the end channels as a steady state CW then overlay the modulated end channel on the same plot. Repeat the modulated plot with the transmitter in hop mode. Record the delta from the transmitter peak to the highest out of band emission.
4. Complete plotting the transmitter emissions by showing the following spans. 0-2, 2-4, 4-6, 6-10, 10-14, 14-18 and 18-22.5 GHz. Use the setup diagramed in figure 4 for the plots above 4 GHz. Identify any emissions observed above the measurement noise floor. Indicate the limit on each plot by calculating the limit based on the transmitter inband peak power and correcting for the losses in the cable and attenuation used. The generator substitution of the limit swept across the plot.
5. Record the radiated emissions using the testing methodology described in section 2.4 to measure the spurious emissions. Using the three-meter measurement distance and test receiver, scan and measure transmitter related spurious emissions from 30 to 1000 MHz. A measurement distance of one meter and an amplifier between the horn antenna and spectrum analyzer, measure emissions above 1000 MHz. Refer to section 2.4, Test Methodology, for more details on testing above 1000 MHz.

TEST EQUIPMENT:	Antenna, bi-conical	EMCO 3110
	Antenna, log periodic	EMCO 3146
	Antenna, DRG horn	EMCO 3115
	Antenna, DRG horn	EMCO 3116
	Receiver	Rohde & Schwarz ESVP
	High Pass Filter	Cir-Q-Tel R9H-1G5/10G-28A
	High Pass Filter	K&L 13SH10-3000/T24000-0/0
	Microwave amplifier	HP 8449B
	Spectrum Analyzer	HP 8566B
	Mixer	HP11970K
	Amplifier	HP11975A

PERFORMED BY: Dave Fry Date: April 9, 2001

TEST SETUP: Transmitter Conducted Emission

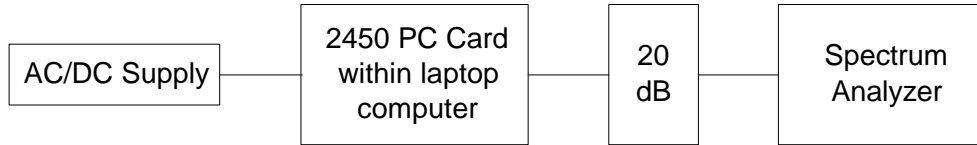


Figure 3.

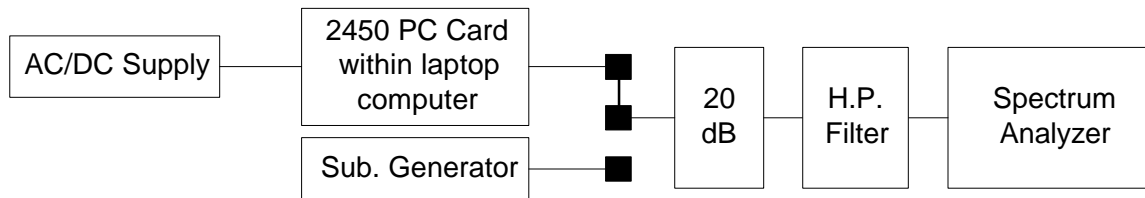


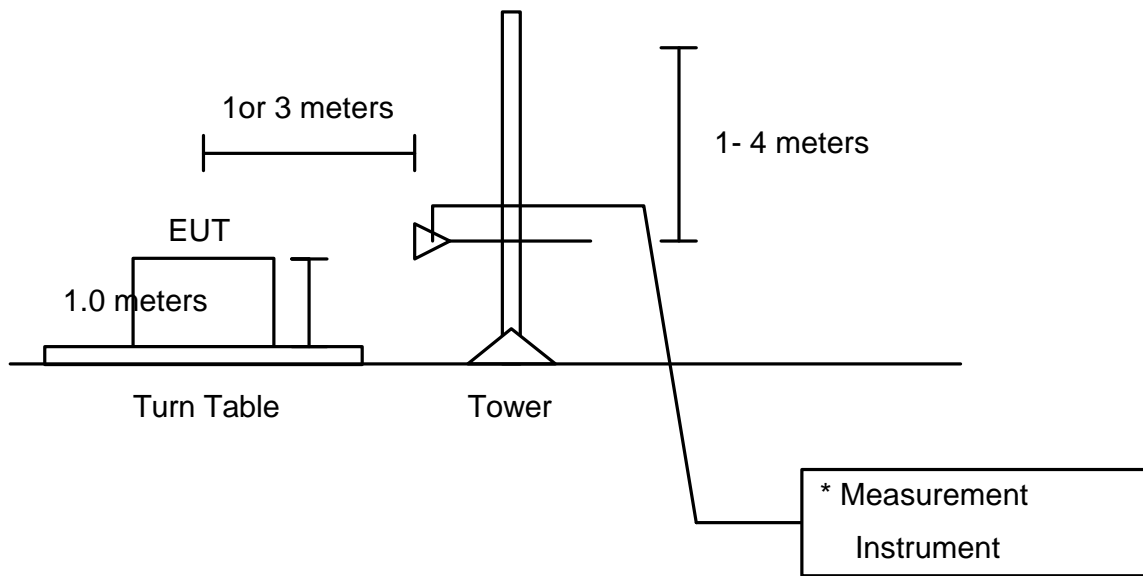
Figure 4.

Note: The high pass filter in figure 4 eliminates the creation of a falsely high amplitude on the harmonics of the transmitter. This occurs when the power of the transmitter over drives the input stage of the spectrum analyzer. A generator substitution determines the actual level of any spurious emissions observed.

TEST SETUP: Transmitter Radiated Spurious Emissions

Open area test site at the Intermec EMC Test Facility
Three-meter test range below 1000 MHz.
One-meter test range above 1000 MHz.

Review the following diagrams for setup details. Refer to the photographs in appendix A (010312A1.xxx) for placement 2450 PC Card -5 radio.



* 30-1000 MHz, Rohde & Schwarz receiver or
1-18 GHz, HP8566B Spectrum Analyzer with preamplifier and high-pass filter
or 18-25 GHz, HP8566B, high-pass filter with preamplifier and mixer

TEST RESULTS: Transmitter conducted emissions conforms.

The 2450 PC Card -5 radio module complies with the FCC and Industry Canada requirements.

Transmitter conducted emissions plots show the transmitter emissions, other than harmonics, outside of the band are 40 dB below the level of the fundamental and greater than 20 dB below the limit. The band from 30 to 24835 MHz was examined, the only significant emissions were above 1000 MHz. See Appendix D (010312D1.xxx) for plots showing compliance.

Below is listed the Average and Peak radiated measurements for each antenna specified for use with the radio module. The data presented below calculates the AVERAGE emissions by recording the 100% duty cycle emissions. The attached calculation spreadsheets show the de-rating the measurement limit for 50% duty cycle, or -6 dB. The 50% de-rating is a conservative figure, duty cycles for operation is nearer the 40-45% on time for duty cycle.

Duty cycle determination of the worst case average emissions shown with the duty cycle emissions reduction. As outlined in the FCC Public Notice: Guidance on Measurements for FHSS Systems the average data is to be de-rated by a duty cycle calculation. The radio presented herein has transmitter duty cycle of less than 45%. (See the following plot, showing the transmitter duty cycle plotted on an the spectrum analyzer.) The calculated emissions reduction for this radio is 6 dB based on the calculation for a 50% duty cycle.

the Tx time within 0.1 second period = 0.045, or 45 %

the calculation for de-rating for a 45% is shown below:

$(1\text{dB}@100\% \times .45 \log) 20 = -6.9 \text{ dB de-rating for 45\% in dB}$

Applying the same formula for a 50% duty cycle results in a -6.0 dB de-rating for the AVERAGE emissions when measured at 100% duty cycle and measurement taken in dB(μV) (microvolts).

The spreadsheet data appendix F-J shows the measured emissions for a 100% transmit duty cycle. The de-rating is added to the average limit to show the margins of compliance for the duty cycle calculated above. The data shows all emissions compared to the limits outlined in 15.209 for restricted bands. The data summary below highlights the highest emissions in those restricted bands.

Plots showing the transmitter duty cycle on the spectrum analyzer are included in appendix C.

To show modular compliance the first antenna data presented shows the radio on an extension card and placed horizontally, then data is collected with the radio placed vertically. The 6110 hand-held terminal is a portable unit, both unit vertical and horizontal data is also presented. (See setup photographs in appendix A.)

2450 PC Card -5 radio extended horizontal

with Huber Suhner
panel antenna
(see appendix F,
010312F1.xxx, for the
data spreadsheets)

The highest AVERAGE field strength of the out of band transmitter radiated emissions is 60.2 dB(μV)/m measured at a distance of one-meter for 12205 MHz. The emissions was observed during testing of the unit placed horizontally and the measurement antenna horizontally polarized. Applying the 6 dB duty cycle correction the emissions are 54.2 dB(μV)/m. That is -9.8 dB relative to the limit of 64 dB(μV)/m at one-meter.

AVERAGE EMISSIONS

Highest emissions observed above the measurement noise floor. Complete data is contained in the Spreadsheet Appendix or file attachments						
Ch. /MHz	Meas. Polarity	100% dB(uV)/M	duty cycle conversion dB	50% dB(uV)/M	limit dB(uV)/M @1M	margin dB
02 / 4804	V	58.0	-6.0	52.0	64.0	-12.0
02 / 4804	H	58.7	-6.0	52.7	64.0	-11.3
41 / 12205	V	59.7	-6.0	53.7	64.0	-10.3
41 / 12205	H	60.2	-6.0	54.2	64.0	-9.8
80 / 4960	V	58.6	-6.0	52.6	64.0	-11.4
80 / 12400	H	55.9	-6.0	49.9	64.0	-14.1

The highest Quasi-Peak or PEAK field strength of the out of band transmitter radiated emissions relative to the limit is 66.3 dB(μ V)/m measured at a distance of one-meter for 22320 MHz. The emissions was observed during testing of the unit placed horizontally and the measurement antenna horizontally polarized. That is -17.7 dB relative to the limit of 84 dB(μ V)/m at one-meter. (no duty cycle correction can be applied to QP or Pk data).

QUASI-PEAK AND PEAK EMISSIONS

Highest emissions observed above the measurement noise floor. Complete data is contained in the Spreadsheet Appendix or file attachments					
d* indicates distance of 1 meters for emissions >1GHz or 3 meters for <1 GHz					
Ch. / MHz	Detector QP or Pk	Meas. Polarity	dB(uV)/M	limit dB(uV)/M@ d*	margin dB
02 / 19216	Pk	V	63.9	84.0	-20.1
02 / 19216	Pk	H	59.7	84.0	-24.3
41 / 19528	Pk	V	64.4	84.0	-19.6
41 / 19528	Pk	H	64.1	84.0	-19.9
80 / 22320	Pk	V	66.0	84.0	-18.0
80 / 22320	Pk	H	66.3	84.0	-17.7

2450 PC Card –5 radio extended vertical

with Huber Suhner
 panel antenna
 (see appendix G,
 010312G1.xxx, for the
 data spreadsheets)

The highest AVERAGE field strength of the out of band transmitter radiated emissions is 58.2 dB(μ V)/m measured at a distance of one-meter for 12205 MHz. The emissions was observed during testing of the unit placed vertically and the measurement antenna horizontally polarized. Applying the 6 dB duty cycle correction the emissions are 52.2 dB(μ V)/m. That is –11.8 dB relative to the limit of 64 dB(μ V)/m at one-meter.

AVERAGE EMISSIONS

Highest emissions observed above the measurement noise floor. Complete data is contained in the Spreadsheet Appendix or file attachments						
Ch. /MHz	Meas. Polarity	100% dB(μ V)/M	duty cycle conversion dB	50% dB(μ V)/M	limit dB(μ V)/M @1M	margin dB
02 / 19216	V	53.8	-6.0	47.8	64.0	-16.2
02 / 19216	H	53.3	-6.0	47.3	64.0	-16.7
41 / 12205	V	58.1	-6.0	52.1	64.0	-11.9
41 / 12205	H	58.2	-6.0	52.2	64.0	-11.8
80 / 4960	V	57.6	-6.0	51.6	64.0	-12.4
80 / 12400	V	55.9	-6.0	49.9	64.0	-14.1

The highest Quasi-Peak or PEAK field strength of the out of band transmitter radiated emissions relative to the limit is 65.8 dB(μ V)/m measured at a distance of one-meter for 19528 MHz. The emissions was observed during testing of the unit placed vertically and the measurement antenna vertically polarized. That is –18.2 dB relative to the limit of 84 dB(μ V)/m at one-meter. (no duty cycle correction can be applied to QP or Pk data)

QUASI-PEAK AND PEAK EMISSIONS

Highest emissions observed above the measurement noise floor. Complete data is contained in the Spreadsheet Appendix or file attachments d* indicates distance of 1 meters for emissions >1GHz or 3 meters for <1 GHz					
Ch. / MHz	Detector QP or Pk	Meas. Polarity	dB(μ V)/M	limit dB(μ V)/M@ d*	margin dB
02 / 19216	Pk	V	64.8	84.0	-19.2
02 / 19216	Pk	H	64.4	84.0	-19.6
41 / 19528	Pk	V	65.8	84.0	-18.2
41 / 19528	Pk	H	65.6	84.0	-18.4
80 / 22320	Pk	V	65.8	84.0	-18.2
80 / 22320	Pk	H	65.7	84.0	-18.3

2450 PC Card –5 radio extended horizontal

with Z-Comm
 panel antenna
 (see appendix H,
 010312H1.xxx, for the
 data spreadsheet)

The highest AVERAGE field strength of the out of band transmitter radiated emissions is 60.6 dB(μ V)/m measured at a distance of one-meter for 4804 MHz. The emissions was observed during testing of the unit placed horizontally and the measurement antenna horizontally polarized. Applying the 6 dB duty cycle correction the emissions are 54.6 dB(μ V)/m. That is -9.4 dB relative to the limit of 64 dB(μ V)/m at one-meter.

AVERAGE EMISSIONS

Highest emissions observed above the measurement noise floor. Complete data is contained in the Spreadsheet Appendix or file attachments						
Ch. /MHz	Meas. Polarity	100% dB(uV)/M	duty cycle conversion dB	50% dB(uV)/M	limit dB(uV)/M @1M	margin dB
02 / 4804	V	58.0	-6.0	52.0	64.0	-12.0
02 / 4804	H	60.6	-6.0	54.6	64.0	-9.4
41 / 4882	V	58.9	-6.0	52.9	64.0	-11.1
41 / 12205	V	58.6	-6.0	52.6	64.0	-11.4
80 / 4960	V	60.3	-6.0	54.3	64.0	-9.7
80 / 7440	V	59.8	-6.0	53.8	64.0	-10.2

The highest Quasi-Peak or PEAK field strength of the out of band transmitter radiated emissions relative to the limit is 66.7 dB(μ V)/m measured at a distance of one-meter for 22320 MHz. The emissions was observed during testing of the unit placed horizontally and the measurement antenna vertically polarized. That is -17.3 dB relative to the limit of 84 dB(μ V)/m at one-meter. (no duty cycle correction can be applied to QP or Pk data)

QUASI-PEAK AND PEAK EMISSIONS

Highest emissions observed above the measurement noise floor. Complete data is contained in the Spreadsheet Appendix or file attachments d* indicates distance of 1 meters for emissions >1GHz or 3 meters for <1 GHz					
Ch. / MHz	Detector QP or Pk	Meas. Polarity	dB(uV)/M	limit dB(uV)/M@ d*	margin dB
02 / 19216	Pk	V	65.8	84.0	-18.2
02 / 19216	Pk	H	65.7	84.0	-18.3
41 / 19528	Pk	V	65.5	84.0	-18.5
41 / 19528	Pk	H	65.2	84.0	-18.8
80 / 22320	Pk	V	66.7	84.0	-17.3
80 / 22320	Pk	H	66.6	84.0	-17.4

2450 PC Card –5 radio within 6110 hand held terminal placed horizontal

with T-Com internal panel antenna (see appendix I, 010312I1.xxx, for the data spreadsheets)

The highest AVERAGE field strength of the out of band transmitter radiated emissions is 63.9 dB(μV)/m measured at a distance of one-meter for 19840 MHz. The emissions was observed during testing of the unit placed horizontally and the measurement antenna vertically polarized. Applying the 6 dB duty cycle correction the emissions are 57.9 dB(μV)/m. That is –6.1 dB relative to the limit of 64 dB(μV)/m at one-meter.

AVERAGE EMISSIONS

Highest emissions observed above the measurement noise floor. Complete data is contained in the Spreadsheet Appendix or file attachments						
Ch. /MHz	Meas. Polarity	100% dB(μV)/M	duty cycle conversion dB	50% dB(μV)/M	limit dB(μV)/M @1M	margin dB
02 / 4804	H	57.4	-6.0	51.4	64.0	-12.6
02 / 7206	H	56.9	-6.0	50.9	64.0	-13.1
41 / 12205	V	62.8	-6.0	56.8	64.0	-7.2
41 / 12205	H	62.4	-6.0	56.4	64.0	-7.6
80 / 7440	V	61.0	-6.0	55.0	64.0	-9.0
80 / 19840	V	63.9	-6.0	57.9	64.0	-6.1

The highest Quasi-Peak or PEAK field strength of the out of band transmitter radiated emissions relative to the limit is 68.8 dB(μV)/m measured at a distance of one-meter for 19840 MHz. The emissions was observed during testing of the unit placed horizontally and the measurement antenna vertically polarized. That is –15.2 dB relative to the limit of 84 dB(μV)/m at one-meter. (no duty cycle correction can be applied to QP or Pk data)

QUASI-PEAK AND PEAK EMISSIONS

Highest emissions observed above the measurement noise floor. Complete data is contained in the Spreadsheet Appendix or file attachments d* indicates distance of 1 meters for emissions >1GHz or 3 meters for <1 GHz					
Ch. / MHz	Detector QP or Pk	Meas. Polarity	dB(μV)/M	limit dB(μV)/M@ d*	margin dB
02 / 19216	Pk	V	64.6	84.0	-19.4
02 / 19216	Pk	H	64.2	84.0	-19.8
41 / 19528	Pk	V	67.1	84.0	-16.9
41 / 19528	Pk	H	65.2	84.0	-18.8
80 / 7440	Pk	V	66.7	84.0	-17.3
80 / 19840	Pk	V	68.8	84.0	-15.2

2450 PC Card –5 radio within 6110 hand held terminal placed vertically

with T-Com internal panel antenna (see appendix J, 010312J1.xxx, for the data spreadsheets)

The highest AVERAGE field strength of the out of band transmitter radiated emissions is 62.3 dB(μV)/m measured at a distance of one-meter for 12205 MHz. The emissions was observed during testing of the unit placed vertically and the measurement antenna vertically polarized. Applying the 6 dB duty cycle correction the emissions are 56.3 dB(μV)/m. That is –7.7 dB relative to the limit of 64 dB(μV)/m at one-meter.

AVERAGE EMISSIONS

Highest emissions observed above the measurement noise floor. Complete data is contained in the Spreadsheet Appendix or file attachments						
Ch. /MHz	Meas. Polarity	100% dB(uV)/M	duty cycle conversion dB	50% dB(uV)/M	limit dB(uV)/M @1M	margin dB
02 / 4804	H	55.9	-6.0	49.9	64.0	-14.1
02 / 19216	H	55.0	-6.0	49.0	64.0	-15.0
41 / 12205	V	62.3	-6.0	56.3	64.0	-7.7
41 / 12205	H	60.7	-6.0	54.7	64.0	-9.3
80 / 12400	V	61.0	-6.0	55.0	64.0	-9.0
80 / 12400	H	58.6	-6.0	52.6	64.0	-11.4

The highest Quasi-Peak or PEAK field strength of the out of band transmitter radiated emissions relative to the limit is 66.4 dB(μV)/m measured at a distance of one-meter for 22320 MHz. The emissions was observed during testing of the unit placed vertically and the measurement antenna horizontally polarized. That is –17.6 dB relative to the limit of 84 dB(μV)/m at one-meter. (no duty cycle correction can be applied to QP or Pk data)

QUASI-PEAK AND PEAK EMISSIONS

Highest emissions observed above the measurement noise floor. Complete data is contained in the Spreadsheet Appendix or file attachments d* indicates distance of 1 meters for emissions >1GHz or 3 meters for <1 GHz					
Ch. / MHz	Detector QP or Pk	Meas. Polarity	dB(uV)/M	limit dB(uV)/M@ d*	margin dB
02 / 19216	Pk	V	63.8	84.0	-20.2
02 / 19216	Pk	H	63.6	84.0	-20.4
41 / 19528	Pk	V	65.3	84.0	-18.7
41 / 19528	Pk	H	65.2	84.0	-18.8
80 / 22320	Pk	V	66.1	84.0	-17.9
80 / 22320	Pk	H	66.4	84.0	-17.6

MEASUREMENT DATA: Observe the appendix D (010312D1.xxx) that shows the transmitter conducted measurements. The appendixes F-J (010312F1.xxxG1.xxx,H1.xxx, ...I1.xxx and ...J1.xxx) file attachment spreadsheets show the radiated emissions data tabulated and graphically in dB(μ V)/m. The conversion for calculating dB(μ V)/m to μ V/m follows.

$$[(\text{dB } (\mu\text{V})/\text{m}) / 20] \text{ anti log} = \mu\text{V}/\text{m}$$

$$[(54 \text{ dB } (\mu\text{V})/\text{m} @ 1 \text{ mtr}) / 20] \text{ anti log} = 501.2 \mu\text{V}/\text{m} @ 1 \text{ mtr}$$

or μ V/m to dB(μ V)/m

$$20 (\log \mu\text{V}/\text{m}) = \text{dB } (\mu\text{V})/\text{m}$$

$$20 (\log 500 \mu\text{V}/\text{m}) = 54 \text{ dB } (\mu\text{V})/\text{m}$$

Limit conversion, three-meter to one-meter (mtr)

$$54 \text{ dB } (\mu\text{V})/\text{m} @ 3 \text{ mtrs} + 10 \text{ dB} = 64 \text{ dB } (\mu\text{V})/\text{m} @ 1 \text{ mtr}$$

These spreadsheets include the calculation for duty cycle de-rating by adding 6 dB to the average limits. De-rating correction is not allowed for the peak and quasi-peak emissions.

$$64 \text{ dB } (\mu\text{V})/\text{m} @ 1 \text{ mtr} + 6 \text{ dB (correction)} = 70 \text{ dB } (\mu\text{V})/\text{m} @ 1 \text{ mtr}$$

EQUIPMENT: 2450 PC Card –5 Radio Module

NAME OF TEST: Frequency and Power Stability Across Voltage

FCC RULE NUMBER: None

CANADA RSS-210 Par.: 6.4

MINIMUM STANDARD:

This test is not required by either the FCC or Industry Canada. It is presented to show the stability of the 2450 PC Card –5 radio module. Laptop computers operate from an AC supply or operate on rechargeable batteries. This provides a highly regulated power to operate the 2450 PC Card –5 radio. The mobile computers operate from a six-cell batteries of varying make up. Most common are MNIH (metal nickel-hydride) and Nicad (nickel-cadmium). Internal to the Intermec mobile computers is low battery cut-off circuits and voltage regulators to power the microprocessor and support circuitry. The cut-off for low battery does not allow the regulated voltages provided to microprocessors to fall below the 4.75 VDC level. The regulated voltage specified for the 2450 PC Card is 5.0 volts +/- 5% from the host computer. The transmitter power as well as frequency stability are presented across the above voltage range. The power shall remain below the limits specified for maximum transmitter power. The operating frequency shall demonstrate stability to remain in-band at all channels of the transmitter.

TEST PROCEDURE:

- (1) Using the set-up in figure 5, record the transmitter frequency and power at nominal voltage. Vary the operating voltage across the expected range in 0.05 increments and record the transmitter power and frequency. Perform this test for DC operation across the voltage range of 5.00 +/- 5%.

TEST EQUIPMENT: Vector Signal Analyzer HP89410A
Variable DC Supply Tektronix PS282
Volt Meter Fluke

PERFORMED BY: Dave Fry Date: April 30, 2001

TEST SET UP: Voltage Stability Set Up

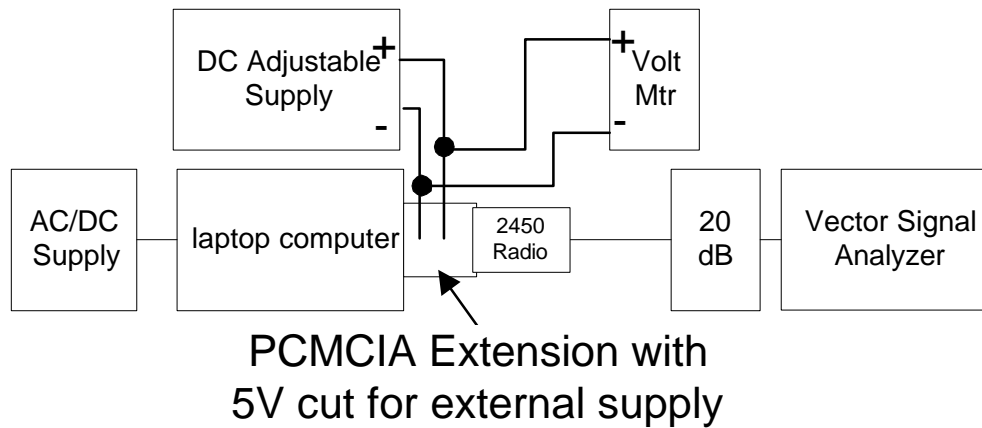


Figure 5.

TEST RESULTS:

The 2450 PC Card -5 radio shows the transmitter maintains power and remains on frequency across the normal voltage range expected when operated within a mobile computer.

While operated across voltage range of +5.0 volts +/- 5% DC, the transmitter frequency and power is unaffected. A change of -0.13 to + 0.07 milliwatts was observed in transmitter power. No measurable change was observed in the transmitter frequency.

MEASUREMENT DATA: Power Output and Frequency versus Voltage

Nominal test voltage is 5.00V. The specified range of the radio is 5v +/- 5% or 4.75 to 5.25V.

HP 89410A Vector Analyzer				
s/n 3416A01518				
Options 1C2AY7YAAYBUFGUG7				
Calibration 9/00				
DCV	MHz	mW	Ref Delta	
			MHz	mW
5.25	2441.002	6.59	0	-0.13
5.20	2441.002	6.49	0	-0.03
5.15	2441.002	6.45	0	0.01
5.10	2441.002	6.46	0	0.00
5.05	2441.002	6.39	0	0.07
ref. 5.00	2441.002	6.46	-	0.00
4.95	2441.002	6.48	0	-0.02
4.90	2441.002	6.46	0	0.00
4.85	2441.002	6.40	0	0.06
4.80	2441.002	6.53	0	-0.07
4.75	2441.002	6.45	0	0.01

EQUIPMENT: 2450 PC Card –5 Radio Module

NAME OF TEST: Receiver Spurious Emissions (radiated)

FCC RULE: 15.109 (a)
CANADA RSS-210 Par.: 7.3

MINIMUM STANDARD: Not Applicable for this radio. The receiver operates simultaneously with the transmitter to read the RFID tag. Any receiver spurious emissions emanating from the radio receiver are measured during transmitter operation. In normal use it is impossible to have only receiver emissions.

TEST PROCEDURE: Not applicable

TEST EQUIPMENT: Not applicable

PERFORMED BY: Dave Fry Date: April 16, 2001

TEST SETUP: Not applicable

TEST RESULTS: Not applicable

EQUIPMENT: 2450 PC Card –5 Radio Module

NAME OF TEST: TX, RX AC Wireline Conducted Emissions

FCC RULE NUMBER: 15.209 (a)

CANADA RSS-210 Par: 6.6-7.4

MINIMUM STANDARD:

FCC Rules Section 15.207 Conducted limits.

(a) For an intentional radiator which is designed to be connected to the public utility (AC) power line, the radio frequency voltage that is conducted back onto the AC power line on any frequency or frequencies within the band 450 kHz to 30 MHz shall not exceed 250 microvolts. Compliance with this provision shall be based on the measurement of the radio frequency voltage between each power line and ground at the power terminals.

Canada RSS-210 6.6, 7.4

Transmitter AC wireline conducted emissions: This is a measurement of the extent of unwanted emissions conducted back into the AC electrical network by LPDs. Note that this test is only for unwanted emissions and not the wanted conducted emissions of AC Carrier Current devices described in section 8.3. This test applies when the device has any one or more of the following characteristics:

- (i) The carrier frequency is within 0.45-30 MHz;
- (ii) The equipment power supply contains switching circuitry (any frequency);
- (iii) Internal clock or local oscillator frequency is within 0.45-30 MHz.

To claim test exemption, the engineering brief or test report shall contain a statement that the conditions of test exemption are met. More information on this is in section 9. The test on the transmitter may be combined with the test of section 7.4 on the receiver.

Minimum standard:

(a) On any frequency or frequencies within the band of 0.45-30 MHz, the measured RF voltage (CISPR meter) shall not exceed 250 microvolts (across 50 ohms).
This test is applicable to battery operated devices that permit operation while connected to AC line powered battery chargers.

TEST PROCEDURE: As referenced in ANSI C63.4, 1992 place the EUT on a wooden table inside a shield room. Connect the AC power supply to the LISN mounted on the floor behind the table. Measure from .15 to 30 MHz the conducted emissions while the radio is transmitting, then repeat with the radio in receive mode. Preliminary testing was made using a spectrum analyzer to determine the maximum emissions placement of the EUT. Final measurements were made and plots of the conducted emissions were produced. The spectrum analyzer was used in a prescan and swept the frequency range from .15 to 30 MHz using the peak detector as compared to the FCC Class B limit.

Quasi-peak measurements of the highest emissions were made with the test receiver. The tabulated data is contained with the measurement data section.

Refer to appendix A for photographs of the maximum emissions placement of the EUT during AC wireline conducted testing.

General And Environmental Conditions

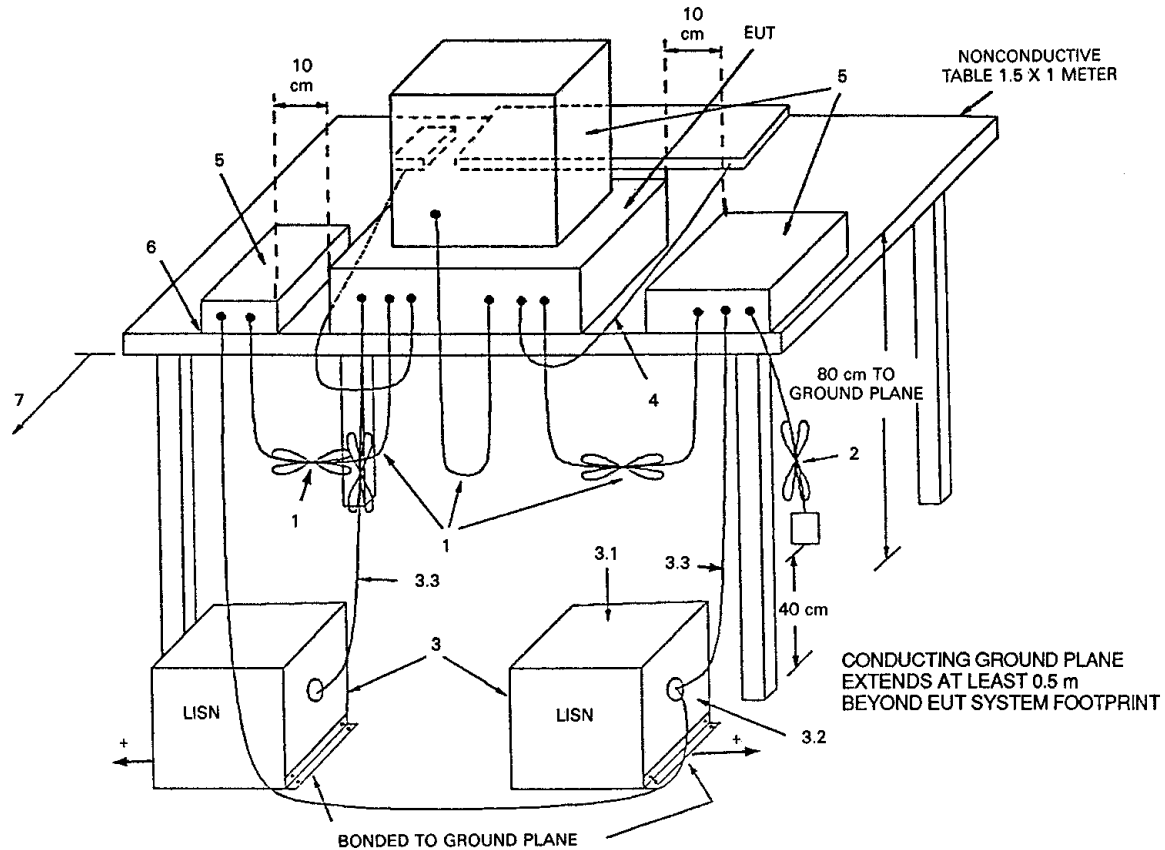
For FCC and Industry Canada, testing was performed within a shield room, setup as described in ANSI C63.4-1992 section 5.2. The EUT was powered by single phase 120 Volts ~ 60 Hz AC power. 230 Volt operation was tested using 50 Hz AC power.

Environmental conditions at the time of testing were a temperature 21 C and relative humidity of 35 %.

TEST EQUIPMENT:	LISN	EMCO 3825/2R
	LISN	Rohde & Schwarz, ESH3.Z5
	Receiver	Rohde & Schwarz, ESH3
	Spectrum Analyzer	HP 8591A

PERFORMED BY:	Dave Fry	Date: March 26 and April 18, 2001
----------------------	----------	-----------------------------------

NAME OF TEST: AC Wireline Conducted Emissions, TX and RX



+LISNs may have to be moved to the side to meet 3.3 below.

LEGEND:

1. Interconnecting cables that hang closer than 40 cm to the ground plane shall be folded back and forth forming a bundle 30 to 40 cm long, hanging approximately in the middle between ground plane and table.
 2. I/O cables that are connected to a peripheral shall be bundled in center. The end of the cable may be terminated if required using correct terminating impedance. The total length shall not exceed 1 m.
 3. EUT connected to one LISN. Unused LISN connectors shall be terminated in 50 Ω LISN can be placed on top of, or immediately beneath, ground plane.
 - 3.1 All other equipment powered from second LISN.
 - 3.2 Multiple outlet strip can be used for multiple power cords of non-EUT equipment.
 - 3.3 LISN at least 80 cm from nearest part of EUT chassis.
- Cables of hand-operated devices, such as keyboards, mice, etc., have to be placed as close as possible to the host.
4. Non-EUT components being tested.
 5. Rear of EUT, including peripherals, shall be all aligned and flush with rear of tabletop.
 6. Rear of tabletop shall be 40 cm removed from a vertical conducting plane that is bonded to the floor ground plane.

Test Configuration
Tabletop Equipment Conducted Emissions

NAME OF TEST: AC Wireline Conducted Emissions, TX and RX

TEST RESULTS: Complies with FCC and Industry Canada (IC) requirements while operated at 120 VAC. Listed below are the operation configuration and AC voltage.

System	Frequency (MHz)	120 VAC 60 Hz Line Side	Spec Limit	Max. TX Emission dB (uV)	TX Em. Margin to Limit dB
Laptop / 2450 PC Card -5 radio	14.594	L1	FCC-IC	37.3	-10.7
Laptop / 2450 PC Card -5 radio	3.786	N	FCC-IC	37.4	-10.6
6110 / 2450 PC Card -5 / charger	0.518	L1	FCC-IC	31.3	-16.7
6110 / 2450 PC Card -5 / charger	0.470	N	FCC-IC	28.4	-19.6

Measured Data:

FCC-Industry Canada
 120 VAC 60 Hz

For FCC and Industry Canada (IC) testing begins with a swept plot showing the maximum conducted emissions measured with a peak detector. This plot was referenced to make the following final measurements using a quasi-peak detector.

The frequency range used for testing was 450 kHz to 30 MHz. Unless otherwise noted, all final measurements are made using a Quasi-Peak (QP) detector with a 9 kHz measurement bandwidth . The QP data being compared to the QP limit for FCC-IC requirements.

AC Wireline Conducted Emissions, 2450 PC Card -5 radio module when powered by laptop. See appendix E (010312E1.xxx) showing the spectrum analyzer plot of the peak emissions.

AC Wireline Conducted Emissions, 2450 PC Card -5 radio module operated with a 6110 on charge. See appendix E (010312E1.xxx) showing the spectrum analyzer plot of the peak emissions. These plots show 120 and 230 VAC operation compared to the CISPR 22 limits. The data presented in the above chart show the 120 VAC QP data compared to the 250 μV microvolts, 48 dB(μV), limit.

Conversion Factors: The conversion for calculating dB (μV) to microvolts (μV) follows.

$$\text{dB } (\mu\text{V}) \text{ to } \mu\text{V} \quad (\text{dB } (\mu\text{V}) / 20) \text{ anti log} = \mu\text{V}$$

$$\mu\text{V to dB } (\mu\text{V}) \quad 20 (\log \mu\text{V}) = \text{dB } (\mu\text{V})$$

EQUIPMENT: 2450 PC Card –5 Radio Module

NAME OF TEST: RF Exposure Safety

FCC RULE NUMBER: 1.1307 (b)(1) references 2.1093(b)(2)
specific absorption rate (“SAR”)

(2) Limits for General Population/Un-controlled exposure: 0.08 W/kg as averaged over the whole-body and spatial peak SAR not exceeding 1.6 W/kg as averaged over any 1 gram of tissue (de-fined as a tissue volume in the shape of a cube). Exceptions are the hands, wrists, feet and ankles where the spatial peak SAR shall not exceed 4 W/kg, as averaged over any 10 grams of tissue (defined as a tissue volume in the shape of a cube). General Population/Uncontrolled limits apply when the general public may be exposed, or when persons that are exposed as a consequence of their employment may not be fully aware of the potential for exposure or do not exercise control over their exposure. Warning labels placed on consumer devices such as cellular telephones will not be sufficient reason to allow these devices to be evaluated subject to limits for occupational/controlled exposure in paragraph (d)(1) of this section.

CANADA RSS-210 Par.: 14.0 (see RSS-102)
CANADA RSS-102

The following specific absorption rate (SAR) limits are reproduced here from Health Canada's Safety Code 6 requirements. The SAR shall meet the following limits: (a) Limits for General Population/Uncontrolled exposure: 0.08 W/kg as averaged over the whole body and spatial peak SAR not exceeding 1.6 W/kg, averaged over any one gram of tissue (defined as a tissue volume in the shape of a cube). Exceptions are the hands, wrists, feet and ankles, where the spatial peak SAR shall not exceed 4 W/kg, as averaged over any 10 grams of tissue (defined as a tissue volume in the shape of a cube).

MINIMUM STANDARD: Summarized within the rules sections above.

PERFORMED BY: CellTech Research Date: Apr. 23-25, 2001
See Appendix O (010312O1.xxx) for CellTech reports for the 6110 antenna and remote antennas.

RESULTS: Mobile Computer Usage

The 2450 PC Card –5 spread spectrum transmitter is utilizes a lower gain antenna at the top of the unit. The normal operation keeps the operator as well as nearby persons greater than the 5-cm spacing to comply with the RF exposure requirements. To ensure the operator is aware of the potential for exposure the warning statement below will be included with the information to the user.

INTERMEC RFID 2450 PC Card Radio Users, FCC ID: EHARFID2450PCC-5

WARNING: per the FCC RF (radio frequency) exposure requirements,

- (1) Antennas must be supplied and installed as recommended by Intermec Technologies to ensure compliance to FCC RF exposure requirements.
- (2) The user shall not touch the terminal top (antenna) and is to remain 5-cm (2 of and inches) from the front of the antenna while the transmitter is in use.

Stationary Usage with High Gain Antennas

The 2450 PC Card –5 spread spectrum transmitter when combined with the high gain antennas presented in this report creates a RF exposure greater than outlined by the limits when the operator or nearby persons allow their body less than 10-cm from the antenna during operation. The higher exposure for extremities outlined in the regulations would be more typical for normal usage. Installation instructions will highlight antenna placements that will limit the user and nearby persons to RF exposure.

WARNING: RFID 2450 PC Card

Warning: per the FCC and Canadian RF (radio frequency) exposure requirements,

- (1) Antennas must be supplied and installed as recommended by Intermec Technologies to ensure compliance to RF exposure requirements. Correct antenna mounting is fully described within the Intermec RFID 2450 PC Card Users Guide.
- (2) When installing and using Intermec approved remote antennas associated the RFID reader, a 10-cm (4-inch) passing distance must be maintained from any body part of the user or near by persons and the remote antenna. The antenna must not be touched during transmitter operation.
- (3) Cables attached to the remote antennas must have a minimum length as provided from Intermec to insure the proper losses to control RF exposure.

7.0 EQUIPMENT LIST

EQUIPMENT	MFG/MODEL	SERIAL NO.	CAL. DATE	CYCLE
Antenna, bi-conical	EMCO 3110	1185	9/00	12 Mo.
Antenna, log periodic	EMCO 3146	1262	9/00	12 Mo.
Antenna, DRG horn	EMCO 3115	2246	1/00	12 Mo.
Antenna, DRG horn	EMCO 3116	9311-2215	1/00	16 Mo.
Attenuator	HP 8491-10 dB	43380	5/00	12 Mo.
High Pass Filter	Cir-Q-Tel R9H-1G5/10G-28A	01	5/00	12 Mo.
High Pass Filter	K&L 13SH01-3000/T24000	01	5/00	12 Mo.
LISN	Rhode & Schwarz ESH3-Z5	832479/018	8/00	12 Mo.
LISN	EMCO 3825/2R	1026	9/00	12 Mo.
Mixer	HP 11970K	3003A05374	12/00	24 Mo.
Plotter	HP 7470A	2308A27380	On Req.	
Power Meter	Giga-Tronics 8541	010618569	4/00	12 Mo.
Power Supply	Tektronix PS282	PS282 TW10045	On Req.	
Preamplifier	HP 8449B	3008A00439	4/99	24 Mo.
Preamplifier	HP 11975A	2738A01994	2/00	12 Mo.
Pulse Limiter	Rhode & Schwarz ESH3-Z2	007-6977	9/00	12 Mo.
Receiver	Rohde & Schwarz ESH3	872318/050	2/00	12 Mo.
Receiver	Rohde & Schwarz ESVP	879674/046	1/00	12 Mo.
RF Preselector	HP 85685A	3221A01427	7/00	12 Mo.
Signal Generator	HP 83630A	3250A00322	2/00	24 Mo.
Spectrum Analyzer	HP 8566B	2637A03549	9/00	12 Mo.
Spectrum Analyzer	HP 8591A	3144A02470	5/00	16 Mo.
Vector Analyzer	HP 89410A	3416A01518	9/00	12 Mo.
Voltmeter	Fluke 77	35300152	5/00	16 Mo.

On Req. = On Request