



COMPONENT SPECIFICATION

APPROVED SUPPLIERS

Manufacturer	Address/Telephone	805-575	Manufacturer's Part No.
Centurion International, Inc.	P.O. Box 82846 Lincoln, NE 68501 (402) 467-4491	-001	CAF25977
		-002	CAF25941
		-003	Not Available
		-004	Not Available
Mobile Mark, Inc.	3900-B River Road Schiller Park, IL 60176 (847) 671-6690	-001	Not Available
		-002	Not Available
		-003	PSTG0-859CI
		-004	PSTG0-837CI

1.0 Scope: This specification describes the requirements for a family of portable cellular telephone (cell phone) style, stubby antennas with custom metric thread mounting supplied as follows:

<u>Intermec P/N</u>	<u>Color Code</u>	<u>Nominal Frequency</u>	<u>Rated Power</u>
-001	green	900 MHz	10 Watts
-002	blue	1800 MHz	10 Watts
-003	yellow	860 MHz	10 Watts
-004	red	838 MHz	10 Watts

2.0 Quality Assurance: Intermec Receiving Inspection reserves the right to use AQL sampling techniques when inspecting a lot.

REVISION HISTORY

Rev.	File No.	Description of Change	Date	Approved
A	C2397	Release	9/21/00	L A
B	C2619	Add -002 part, Revise ¶1.0, ¶5.1 Was 824 to 896MHz, ¶5.2 Was n/s, ¶5.3 Was 1.5, ¶5.7 was 10Ω, Insert ¶7.0	2/23/01	L W
C	C2895	Add -003 & -004 parts, Revise ¶1.0, ¶4.0 Add Individual parts will be marked ..., ¶5.7 50Ω was 10Ω, ¶7.0 896 to 940 MHz was 824 to 896 MHz, 1710 to 1880 MHz was 1800 MHz nom, add -003 & -004, & add color code, ¶8.0 Add color code, Add ¶9.0	8/14/01	L W
D	C2903	¶1.0 Green was blue & blue was green, ¶7.0 Green was blue & blue was green	8/27/01	L W
E	C3043	¶6.4 See parts tabulation was not specified, ¶7.0 Add gain & wave length	11/26/01	L W

REVISION LEVEL	E	E	C	C																																
SHEET NUMBER	1	2	3	4	5	6	7	8	9	10	11	12	13	14	15	16	17	18	19	20	21	22	23	24	25											
COMPONENT ENGR.	DATE		TITLE																																	
J. McROBERTS	9/21/00		Intermec Technologies Corp.											PHONE STYLE ANTENNA, THREAD MNT																						
COGNIZANT ENGR.	DATE		DRAWING NO.																																	
S. HOFSTETTER	- - -		550 Second Street S.E.											805-575-0XX																						
			Cedar Rapids, IA 52401																																	
APPROVED	DATE		Telephone No. (319) 369-3100																																	
K. VORHIES by LA	9/21/00		Facsimile No. (319) 369-3453											Sheet 1 Of 4																						

3.0 **Packaging:** All antennas will be packaged in containers capable of protecting them from damage in common carrier shipping and handling.

4.0 **Markings:** Individual parts will be marked with a distinguishing color code. Each container will be labeled or otherwise marked with the manufacturer's name or trademark, and the part number designation. Major shipping cartons will be marked with the Intermec part number.

5.0 **Antenna Specifications:**

- 5.1 Frequency Range: See parts tabulation
- 5.2 Antenna Gain: See parts tabulation
- 5.3 VSWR (at resonance): See parts tabulation
- 5.4 Power Rating: 10 Watts
- 5.5 Radiation: Omnidirectional
- 5.6 Polarization: Not specified
- 5.7 Nominal Impedance: 50Ω

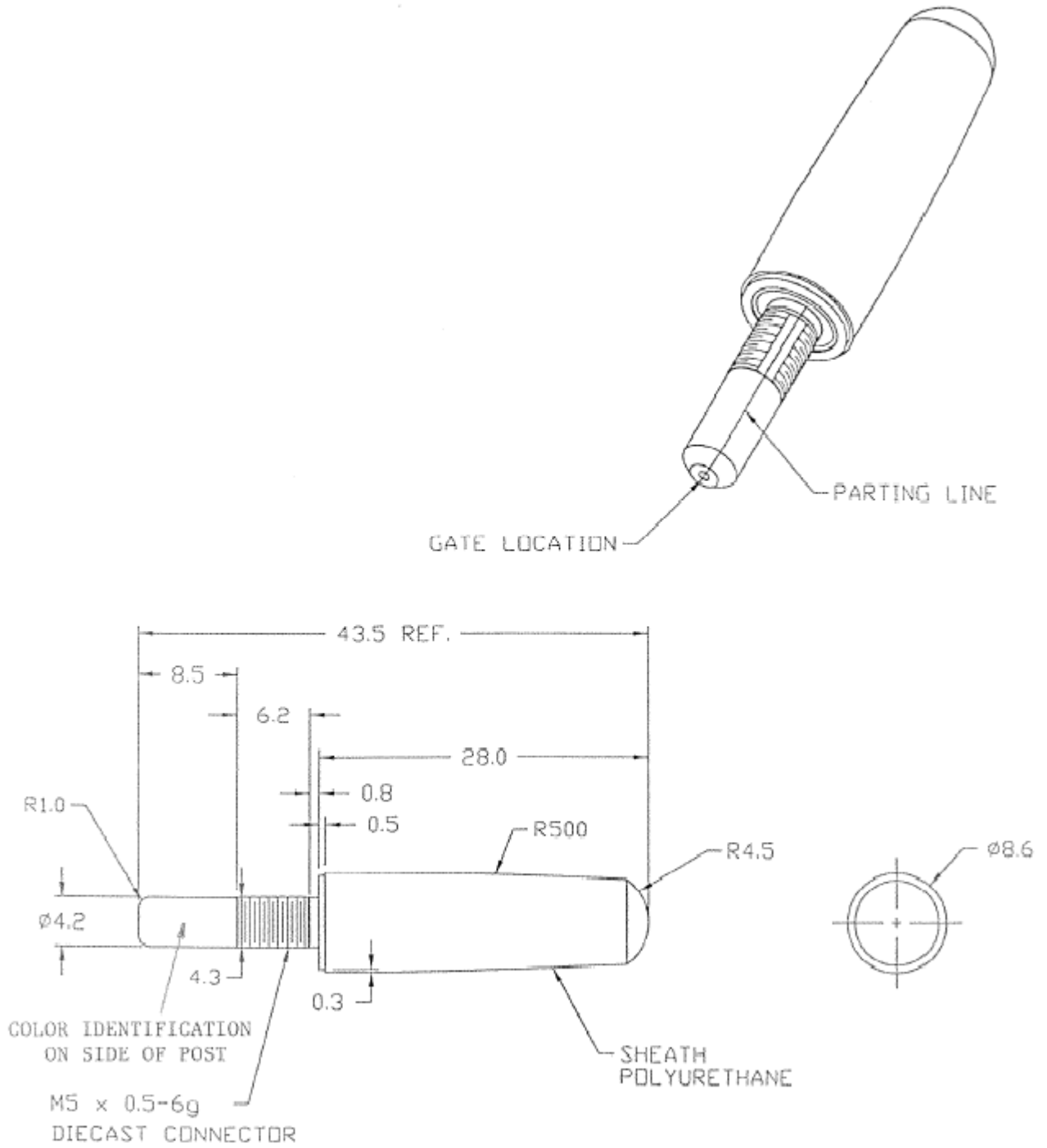
6.0 **Mechanical Ratings:**

- 6.1 Antenna Material: Not specified
- 6.2 Sheath Material: Polyurethane, black color
- 6.3 Mounting Means: Die-cast M5 x 0.5 -6g male thread mount
- 6.4 Element Length: See parts tabulation
- 6.5 Ambient Operating Temperature: -40°C to +85°C

7.0 **Parts Tabulation:**

<u>Part No.</u>	<u>Frequency Range</u>	<u>Color Code</u>	<u>Application</u>	<u>VSWR</u>	<u>Gain</u>	<u>Wave Length</u>
-001	896 to 940 MHz	green	Mobitex	<2:1	-6 dBi	1/16
-002	1710 to 1880 MHz	blue	GSM	<2:1	-3 dBi	1/8
-003	824 to 894 MHz	yellow	CDPD	<2:1	-6 dBi	1/16
-004	806 to 870 MHz	red	Motient/Ardis	<2:1	-6 dBi	1/16

8.0 Outline Drawing (mm): Rounded tip style, -001 & -002 Parts



9.0 Alternative Outline Drawing (mm): Indented tip style, -003 & -004 Parts

