
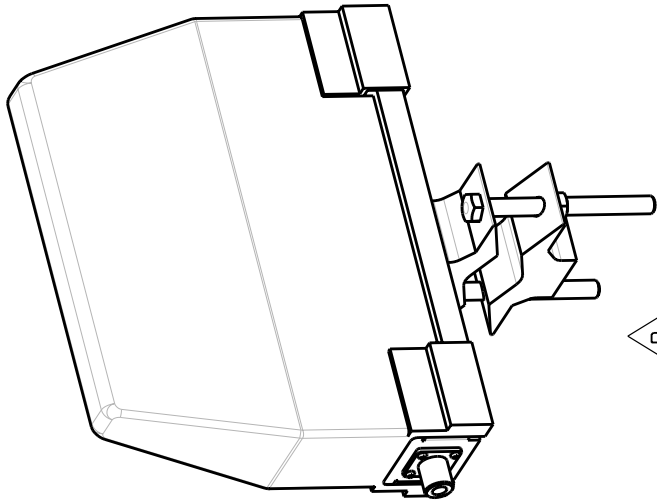
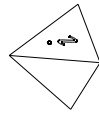


SPECIFICATIONS:

FREQUENCY RANGE: 800 - 1000 MHz 
 GAIN: 5 dBd
 VSWR 50 OHMS (MAX.): 1.5:1
 POLARIZATION: VERTICAL
 PATTERN: DIRECTIONAL
 HORIZONTAL BEAMWIDTH: 90 DEGREES
 VERTICAL BEAMWIDTH: 60 DEGREES
 AVERAGE POWER INPUT (MAX.): 50 WATTS
 FRONT-TO-BACK RATIO: 25 dB



INTERMEC PART NO.	SINCLAIR PART NO.	CONNECTOR TYPE
A270001-01	SRL-44IU	N FEMALE
A270001-02	SRL-44I-E4057	REV POL N JACK



MANUFACTURER:
 SINCLAIR

REVISION	APPRVD	DATE	ECO NO.	NO.
A	CMS	10/16/01	-	
B	MTD	11/29/01	0204	

APPROVALS		INITIAL	DATE
DSGNR	N. LEE		10/16/01
CHFR	CMS		10/16/01
DSGN ENGR	JJ		10/16/01
DSGN LDR	JJ		10/16/01
PROJ MGR	JJ		10/16/01
MFG ENGR	JB		10/16/01
MATL CONT	JM		10/16/01
QUAL ENGR	RB		10/16/01

Intermec		<i>Intelligent Business Unit</i> 4411 THE 25 WAY SUITE 200 ALBUQUERQUE, NM 87109 (505) 449-2700	
DRAWING TITLE			
ANTENNA, SINCLAIR SRL-44IU			
INTERMEC PROPRIETARY INFORMATION		DO NOT SCALE DRAWING	
SCALE	DRAWING NO.		SHEET
N/A	A270001-00		1 OF 1